

US00D508455S

(12) **United States Design Patent**
Oakley et al.

(10) **Patent No.: US D508,455 S**

(45) **Date of Patent: ** Aug. 16, 2005**

(54) **WATERCRAFT-MOUNTABLE CARRIER FOR WAKEBOARDS, WATER SKIS AND THE LIKE**

4,862,082 A * 8/1989 Hennig 324/309
5,752,638 A * 5/1998 Meeks 224/547
5,906,304 A 5/1999 Baldacchino
6,189,753 B1 2/2001 Kalhok et al.

(76) Inventors: **Scott P. Oakley**, 1809 Milpass La., Modesto, CA (US) 95355; **Lane T. Brennecke**, 3612 Jordanolo Dr., Ceres, CA (US) 95307

OTHER PUBLICATIONS

Bart's Watersports, Summer 2003 catalog, p. 49, board rack circled at top & middle of page.*

Updated Apr. 17, 2003: <http://web.archive.org/web/20030417231555/http://www.monstertower.com/accessory1.html>.*

(**) Term: **14 Years**

* cited by examiner

(21) Appl. No.: **29/207,124**

Primary Examiner—Holly Baynham
Assistant Examiner—Cynthia M. Chin

(22) Filed: **Jun. 8, 2004**

(51) **LOC (8) Cl.** **12-06**

(52) **U.S. Cl.** **D12/317**

(58) **Field of Search** D12/300, 317, D12/307, 315, 318; 114/343; 224/406, 559, 917; 211/70.5; 280/814

(57) **CLAIM**

The ornamental design for a watercraft-mountable carrier for wakeboards, water skis and the like, as shown and described.

(56) **References Cited**

DESCRIPTION

U.S. PATENT DOCUMENTS

3,776,437 A 12/1973 Camey
3,811,143 A 5/1974 Page
4,056,220 A * 11/1977 Trimble 224/406
4,077,554 A * 3/1978 Goode 224/559
4,232,806 A * 11/1980 Shald 224/406
4,234,112 A 11/1980 Gallant
4,330,065 A * 5/1982 Haddad 211/70.5
D265,082 S 6/1982 Welder
4,494,787 A * 1/1985 Gainey 294/147
4,582,015 A 4/1986 Hunter

FIG. 1 is a front elevational view of a watercraft-mountable carrier for wakeboards, water skis and the like showing our new design;

FIG. 2 is a rear elevational view thereof;

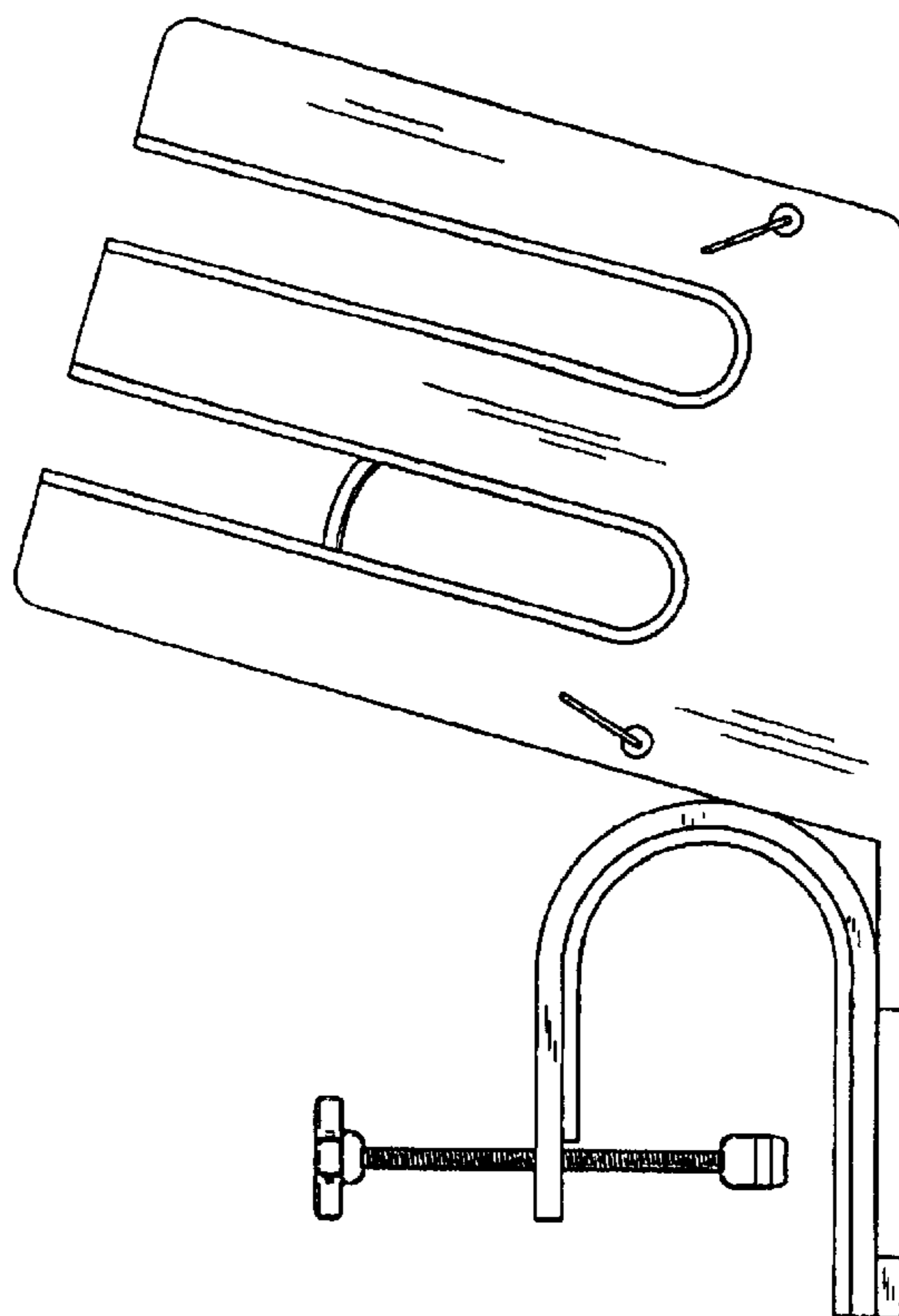
FIG. 3 is a side view, taken from the left side of FIG. 1;

FIG. 4 is a side view, taken from the right side of FIG. 1;

FIG. 5 is a top plan view thereof; and,

FIG. 6 is a bottom plan view thereof.

1 Claim, 6 Drawing Sheets



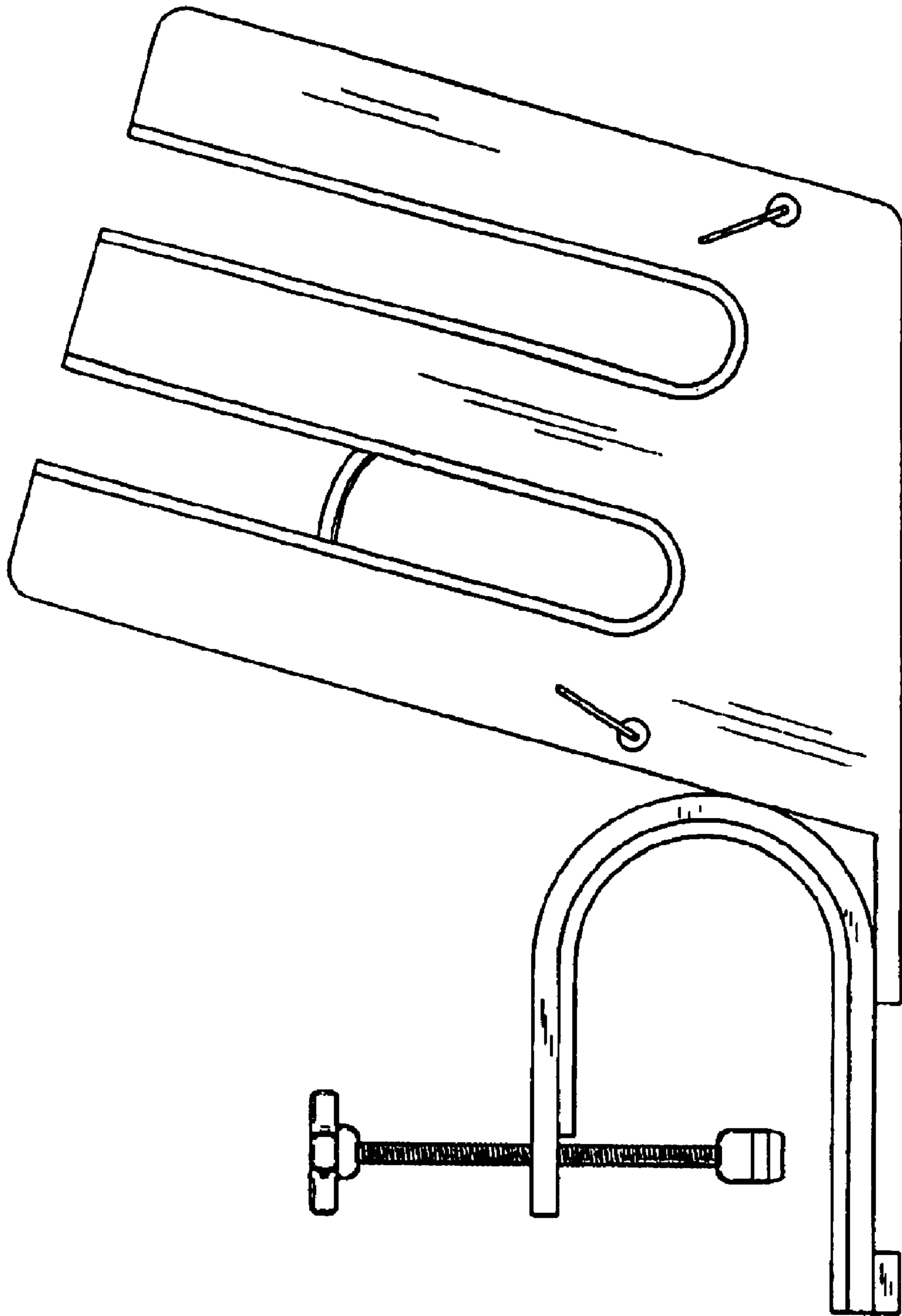


FIG. 1

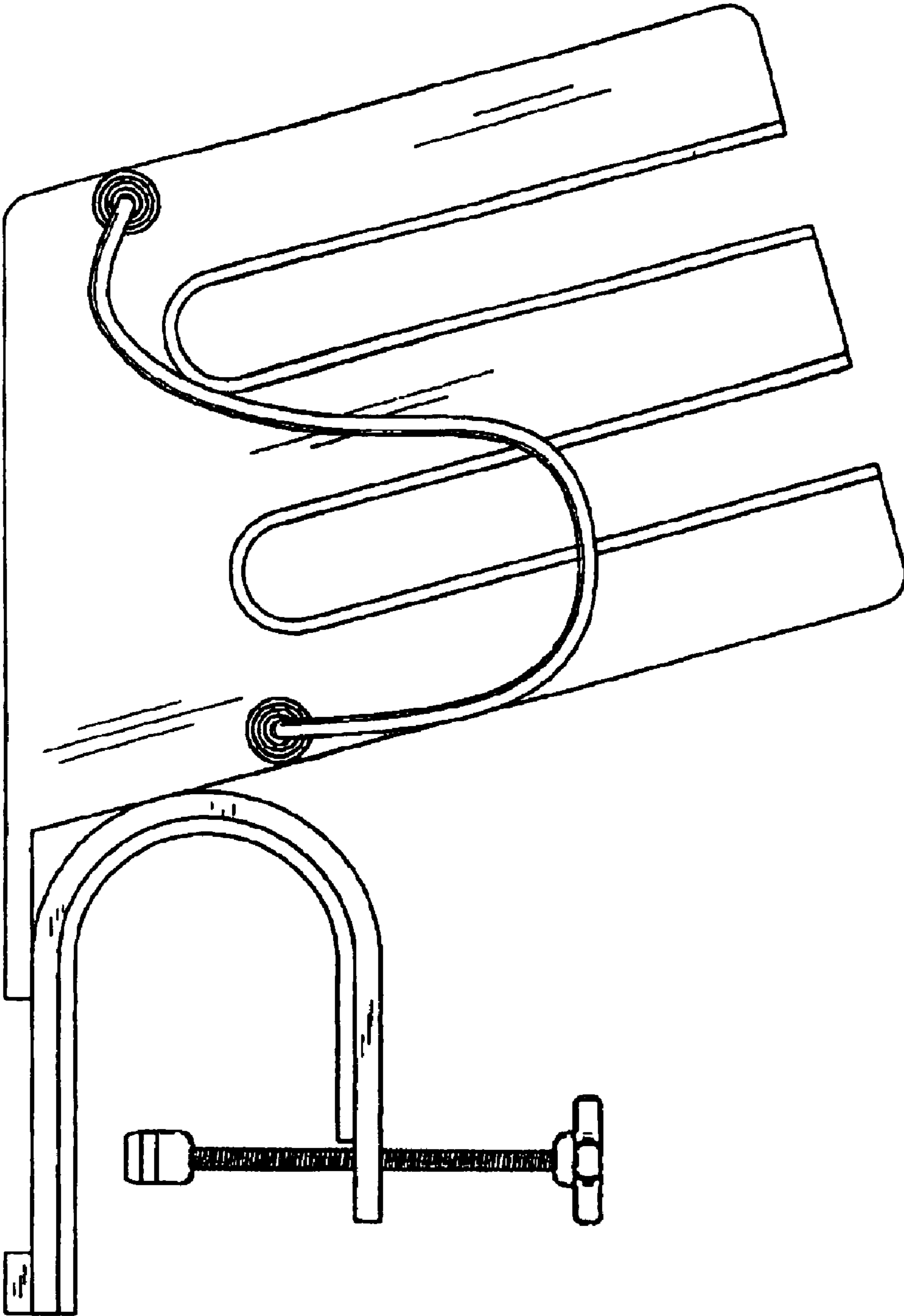


FIG. 2

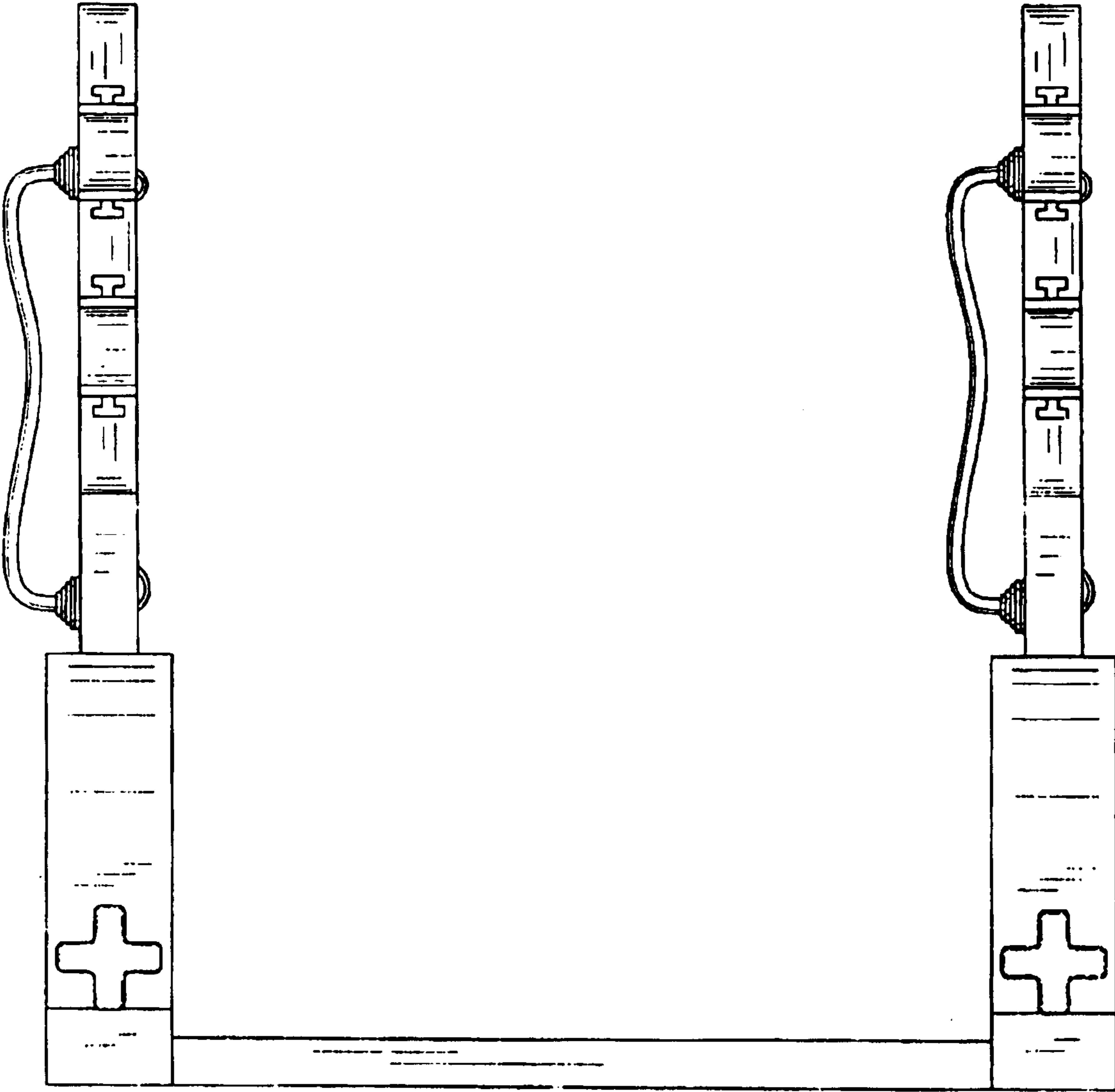


FIG. 3

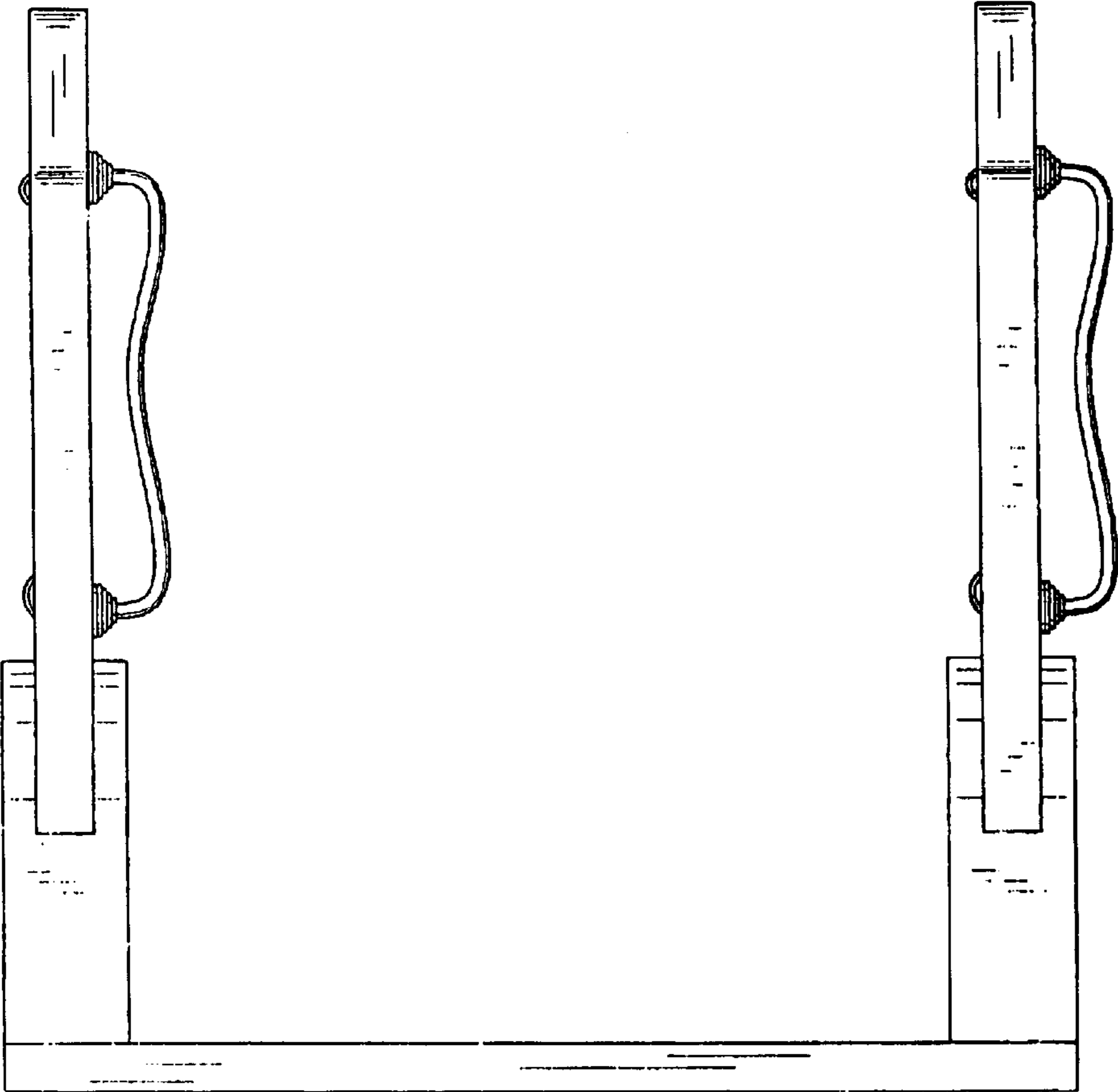


FIG. 4

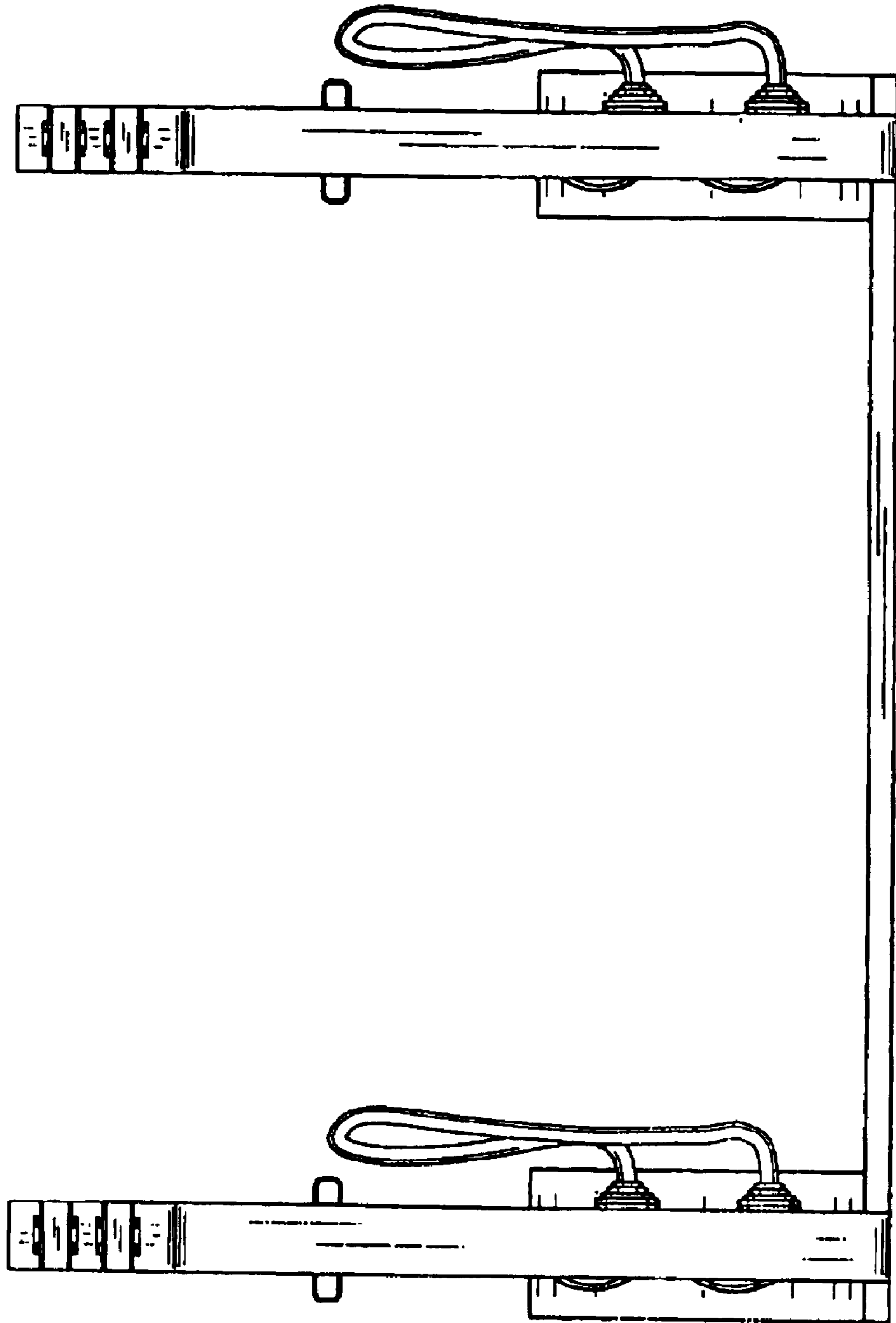


FIG. 5

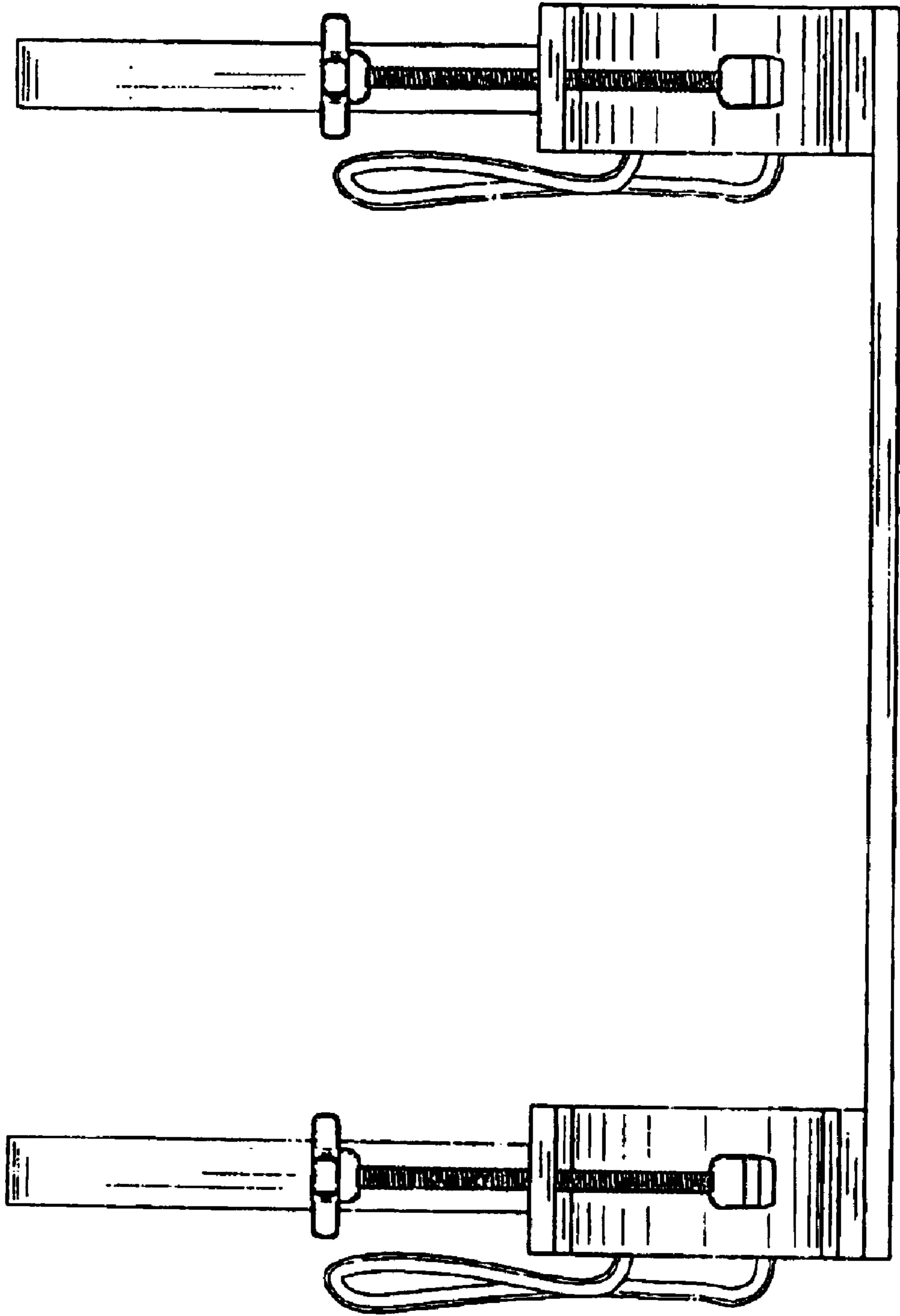


FIG. 6