

US00D508454S

(12) **United States Design Patent**  
**Ino et al.**

(10) **Patent No.: US D508,454 S**  
(45) **Date of Patent: \*\* Aug. 16, 2005**

(54) **COWLING FOR WATER SCOOTER**

*Primary Examiner—Alan P. Douglas*

(75) Inventors: **Seiichi Ino, Kakogawa (JP); Tsutomu Shimizugami, Kagogawa (JP)**

(57) **CLAIM**

The ornamental design for cowling for water scooter, as shown and described.

(73) Assignee: **Kawasaki Jukogyo Kabushiki Kaisha, Hyogo (JP)**

**DESCRIPTION**

(\*\*) Term: **14 Years**

(21) Appl. No.: **29/200,603**

(22) Filed: **Mar. 2, 2004**

(30) **Foreign Application Priority Data**

Sep. 10, 2003 (JP) ..... 2003-026360

(51) **LOC (8) Cl. .... 12-06**

(52) **U.S. Cl. .... D12/317**

(58) **Field of Search .... D12/300–318;**  
114/270, 271, 56

FIG. 1 is a front elevational view of cowling for water scooter showing our new design;  
FIG. 2 is a rear elevational view thereof;  
FIG. 3 is a left elevational view thereof;  
FIG. 4 is a right elevational view thereof;  
FIG. 5 is a top plan view thereof;  
FIG. 6 is a cross section view referring to FIG. 3  
FIG. 7 is a front right perspective of cowling for water scooter;  
FIG. 8 is a rear right perspective view thereof;  
FIG. 9 is a front left perspective view thereof; and,  
FIG. 10 is a rear left perspective view thereof.

(56) **References Cited**

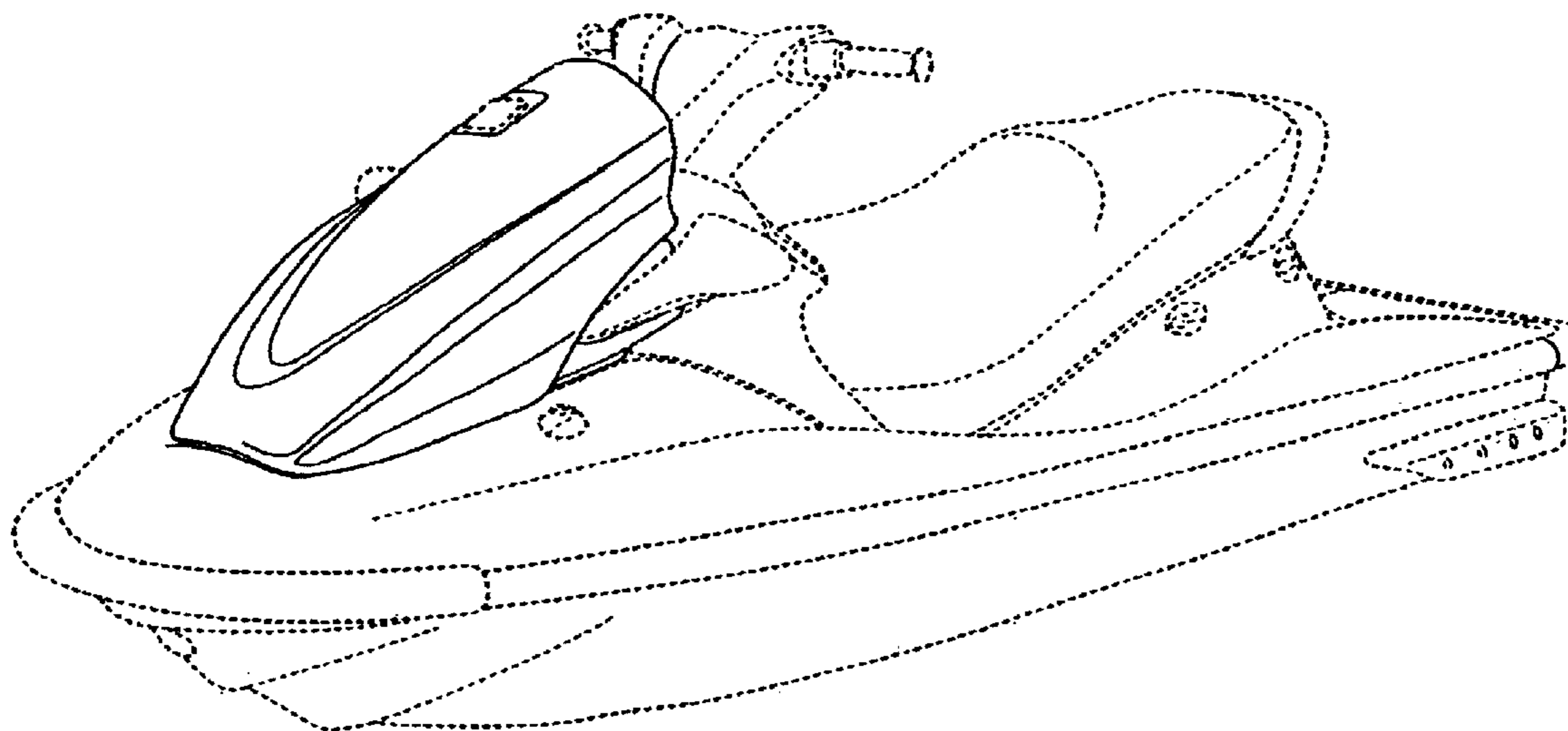
**U.S. PATENT DOCUMENTS**

D221,700 S	*	8/1971	Milne et al. ....	D12/317
D323,807 S	*	2/1992	Jones et al. ....	D12/307
D444,761 S	*	7/2001	Momoi et al. ....	D12/307
D465,192 S	*	11/2002	Bucaccio et al. ....	D12/307

The broken line showing of the environment is for illustrative purposes only and forms no part of the claimed designs. The portion encompassed by a solid line showing a hutch cover is the design sought to be patented.

\* cited by examiner

**1 Claim, 5 Drawing Sheets**



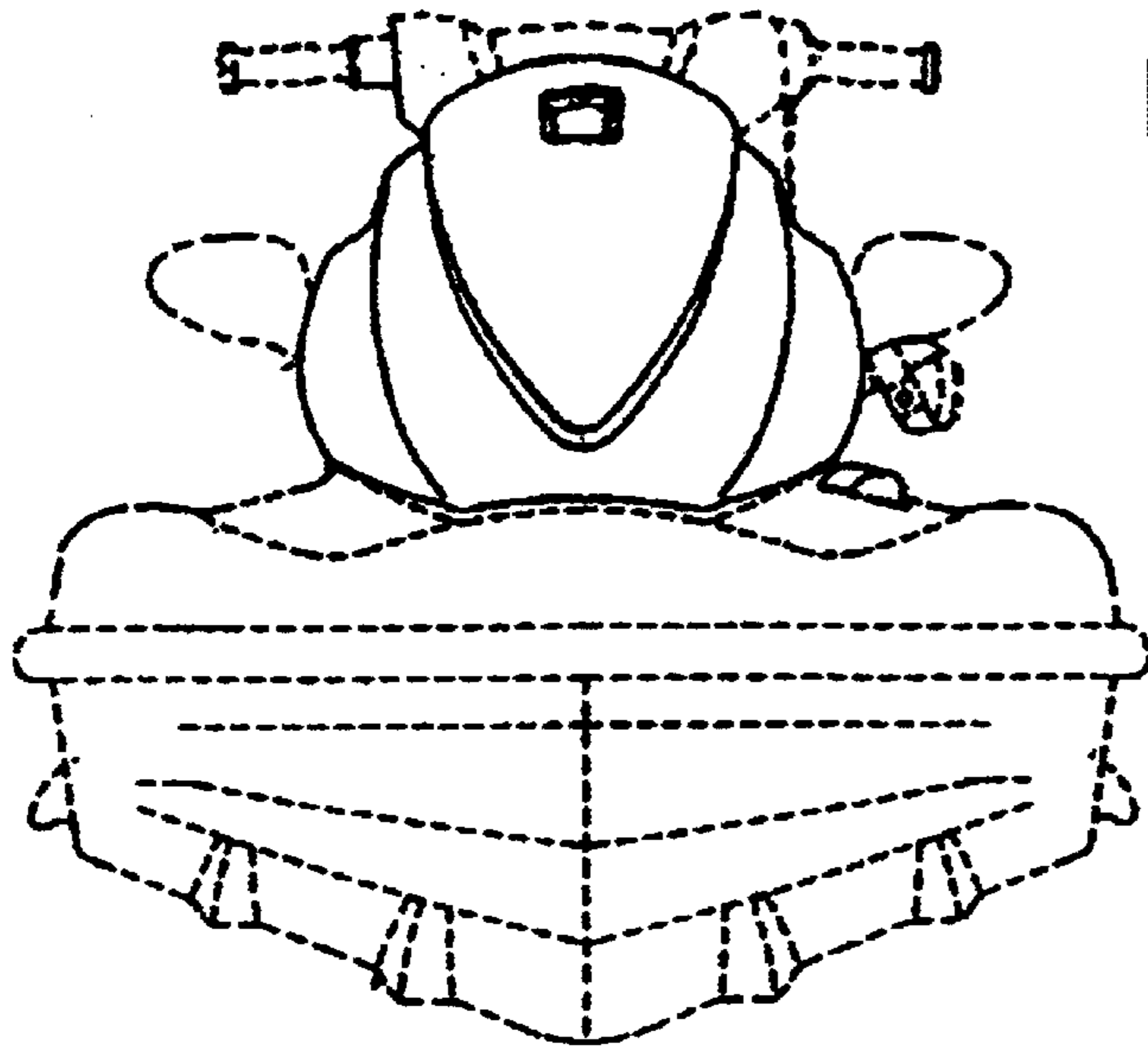


Fig. 1

Fig. 2

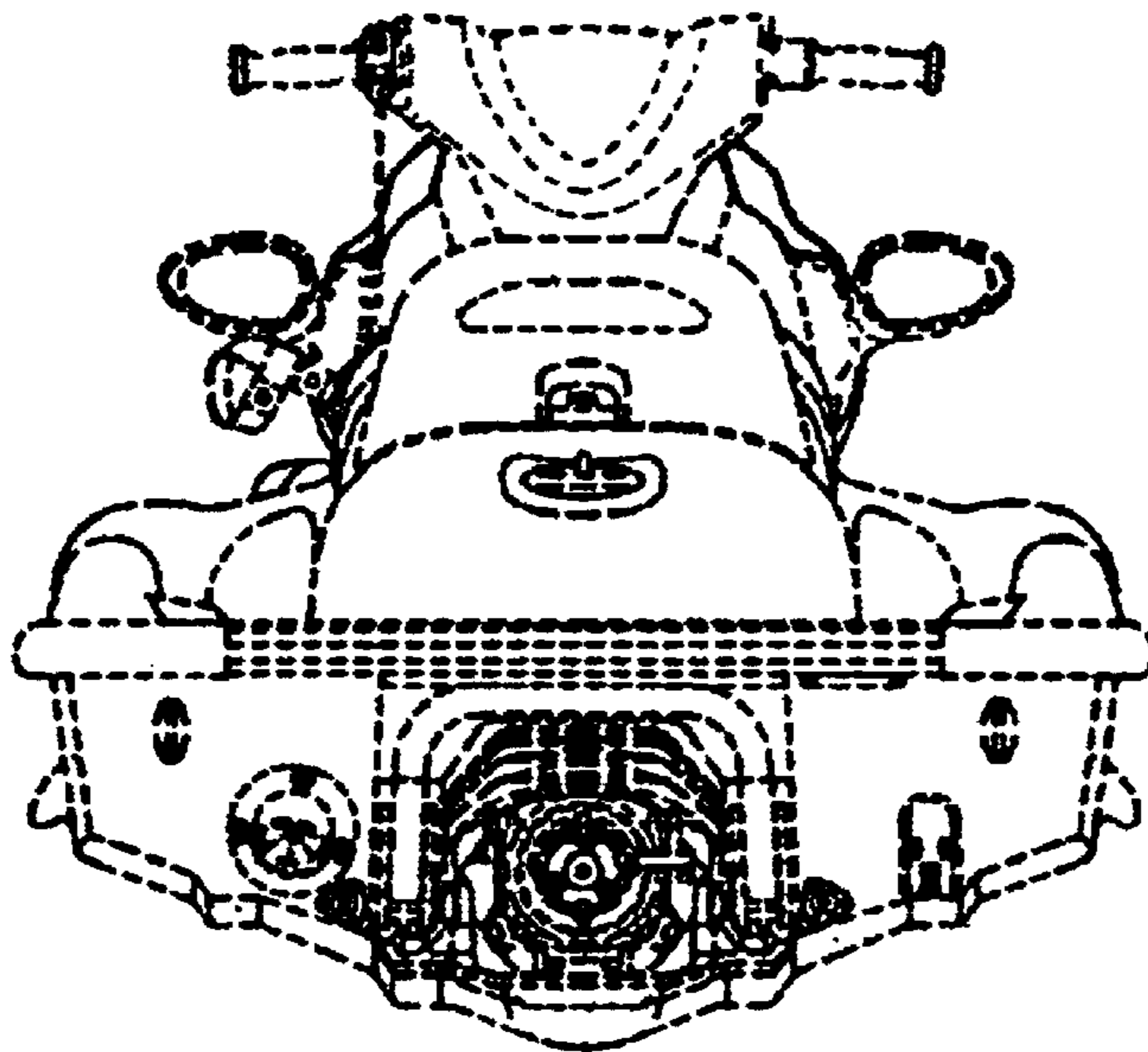


Fig. 3

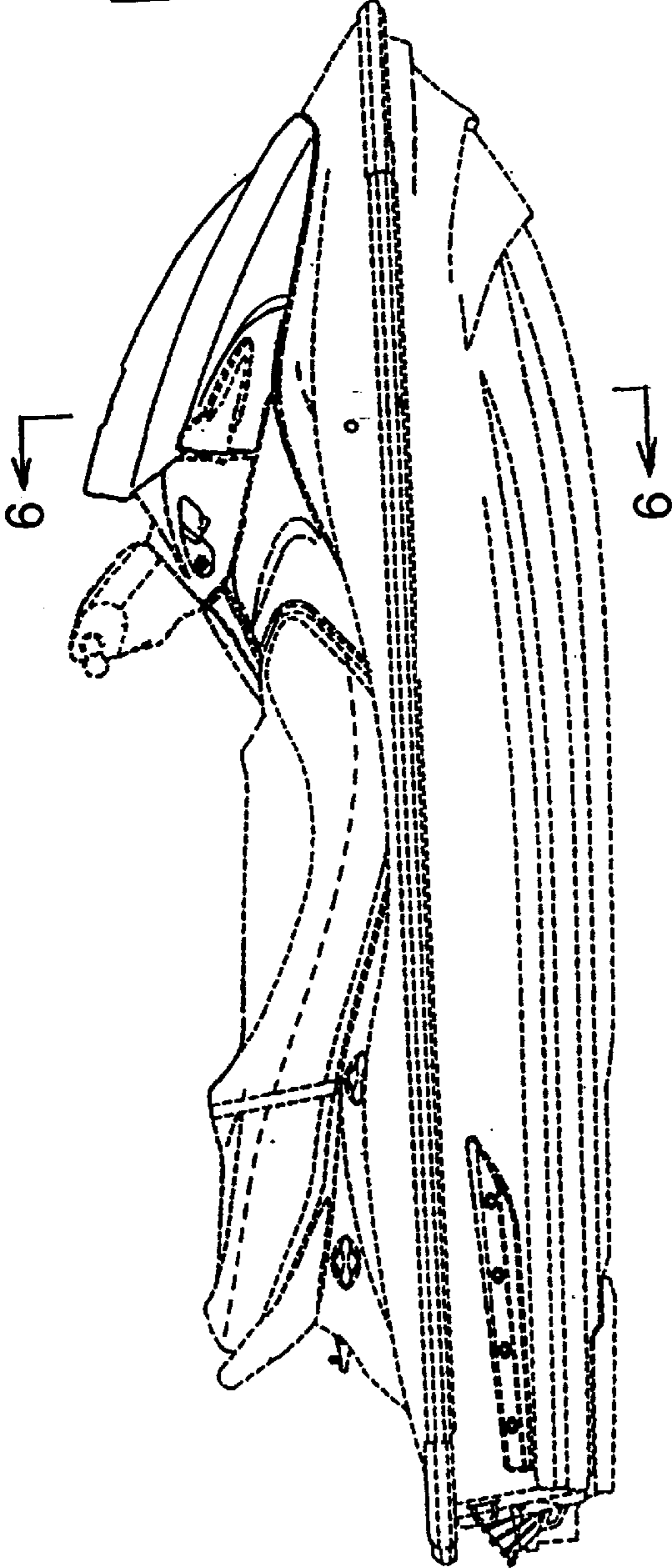
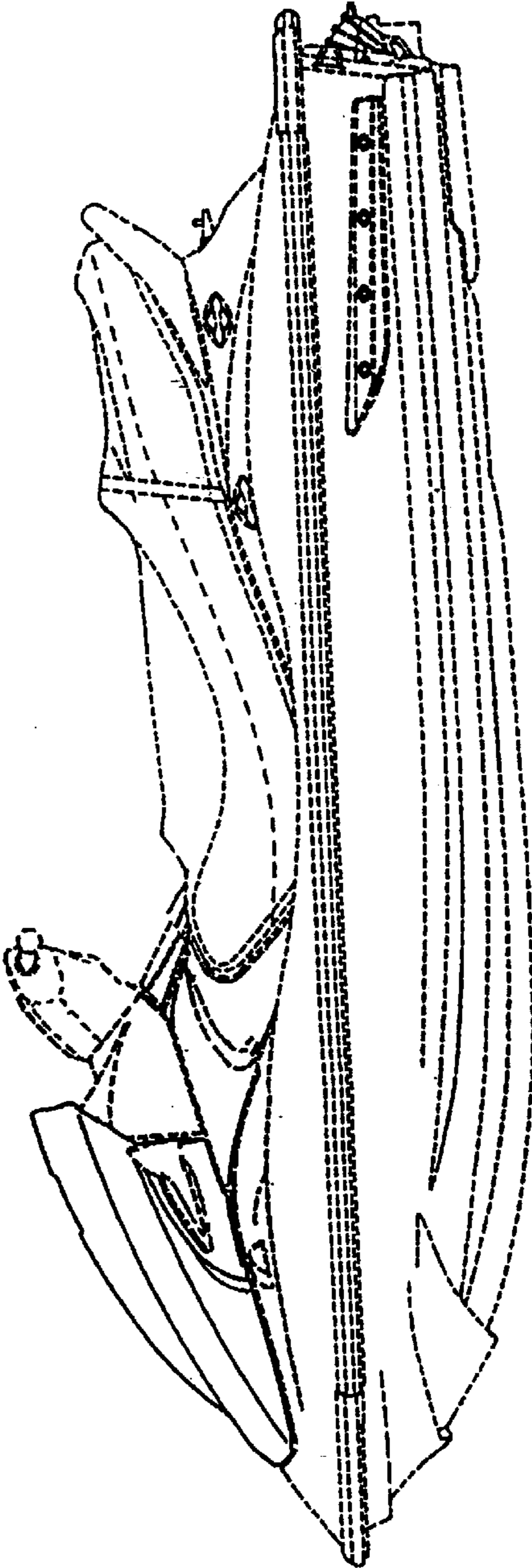


Fig. 4



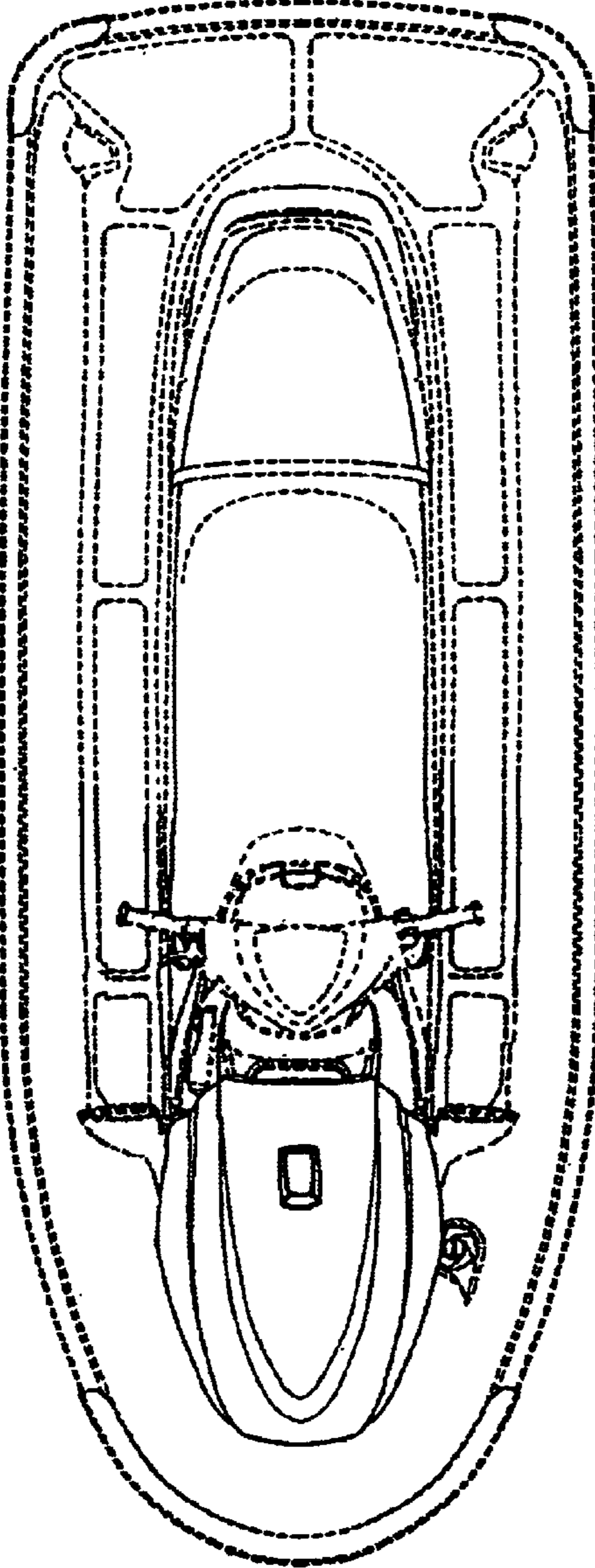


Fig. 5

Fig. 6

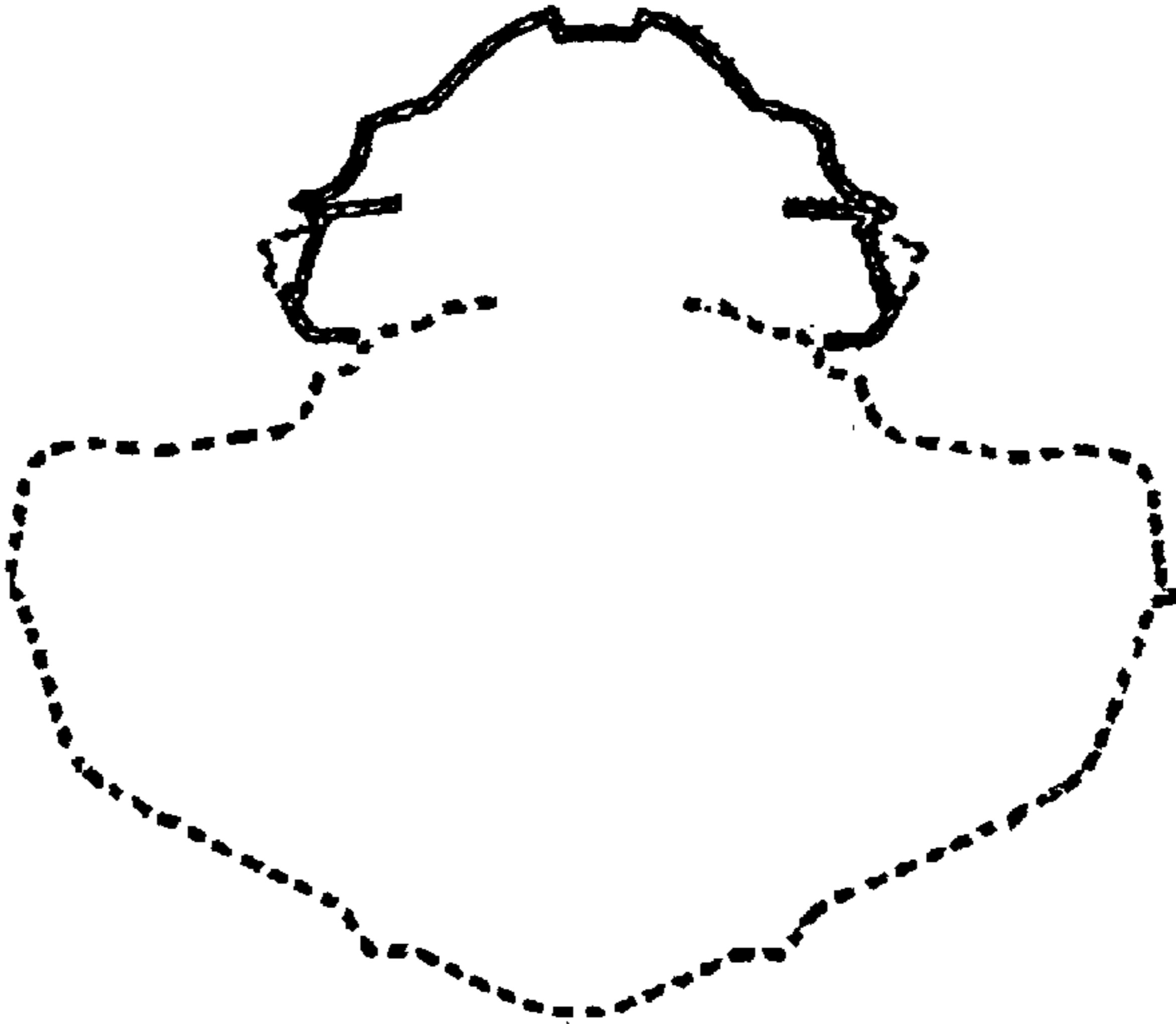




Fig. 7

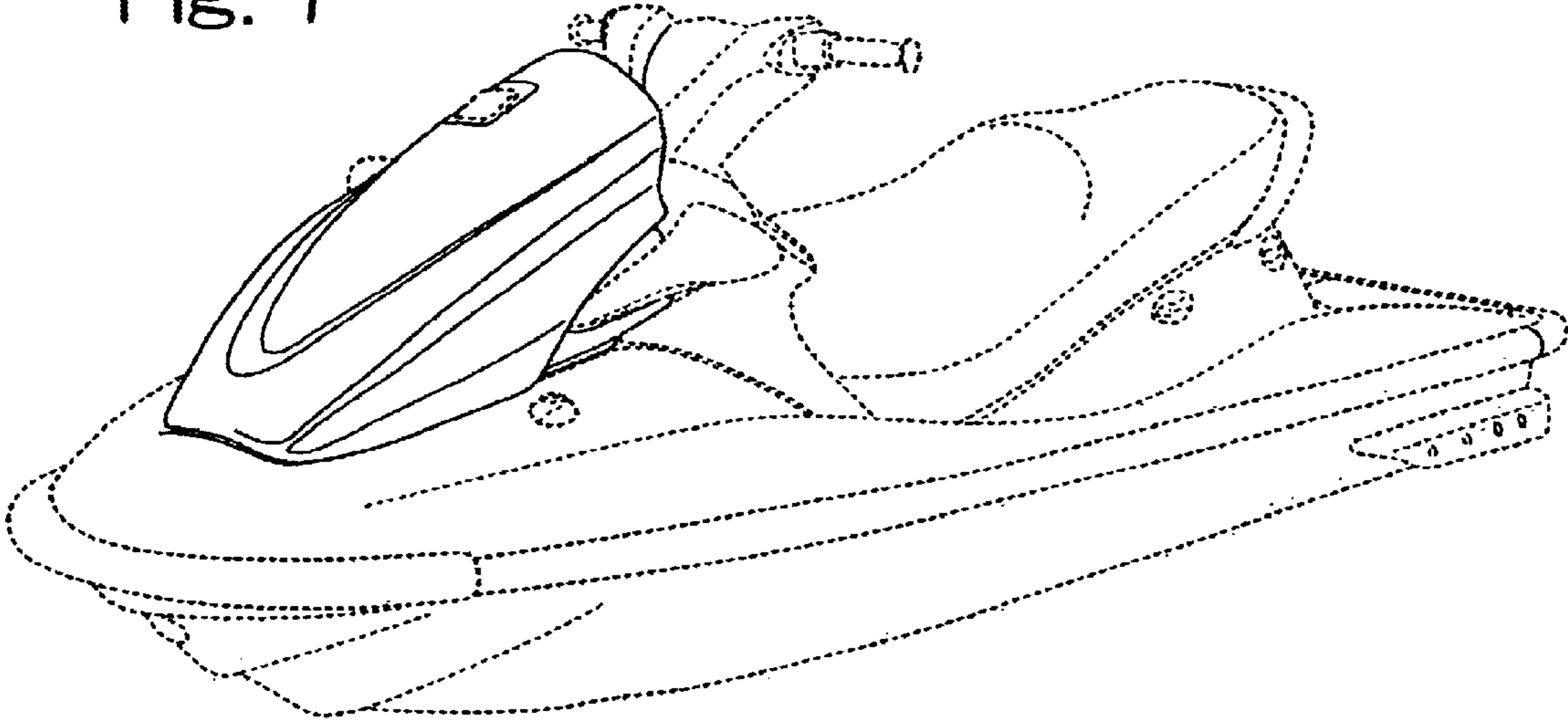


Fig. 8

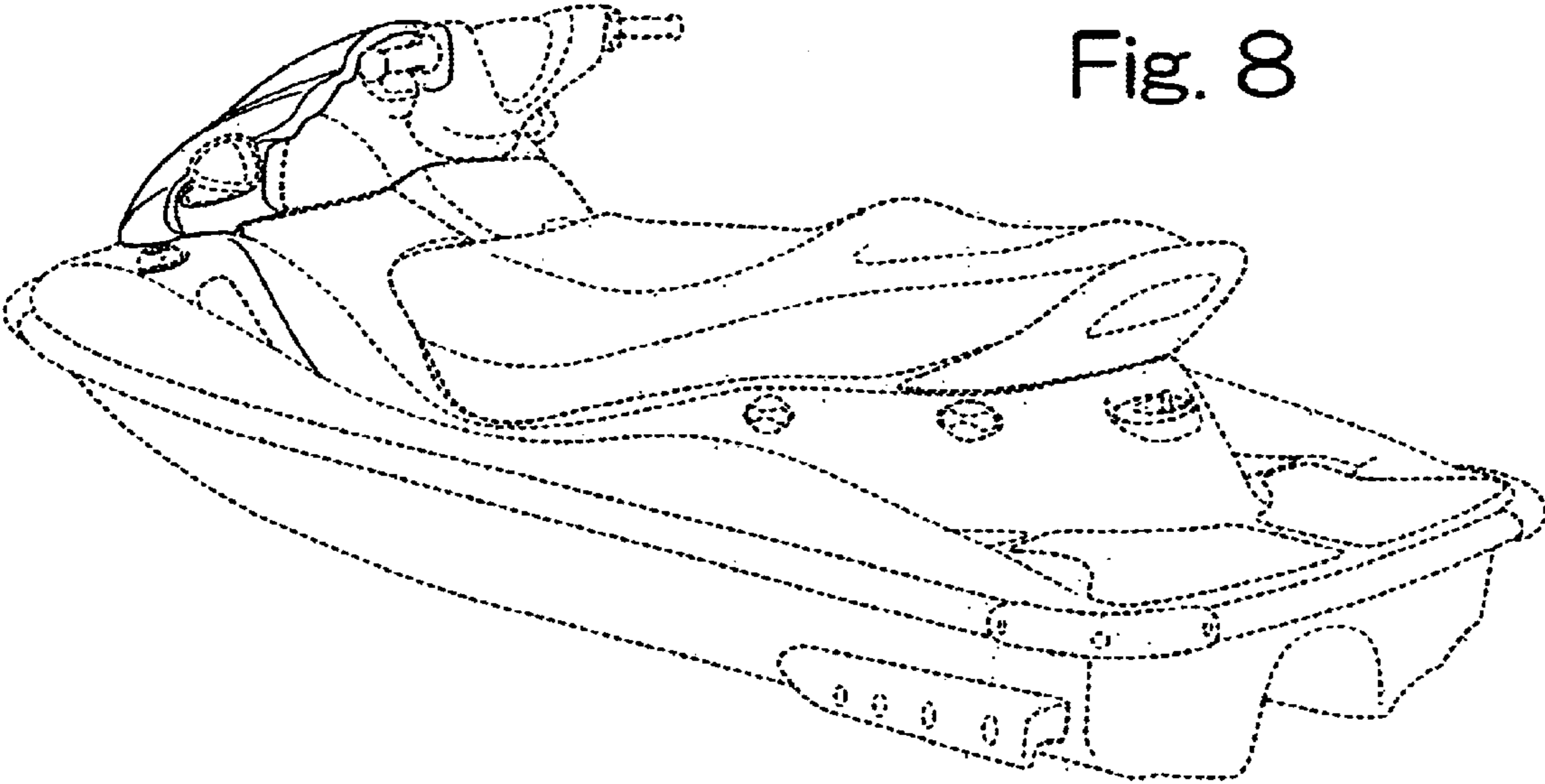


Fig. 9

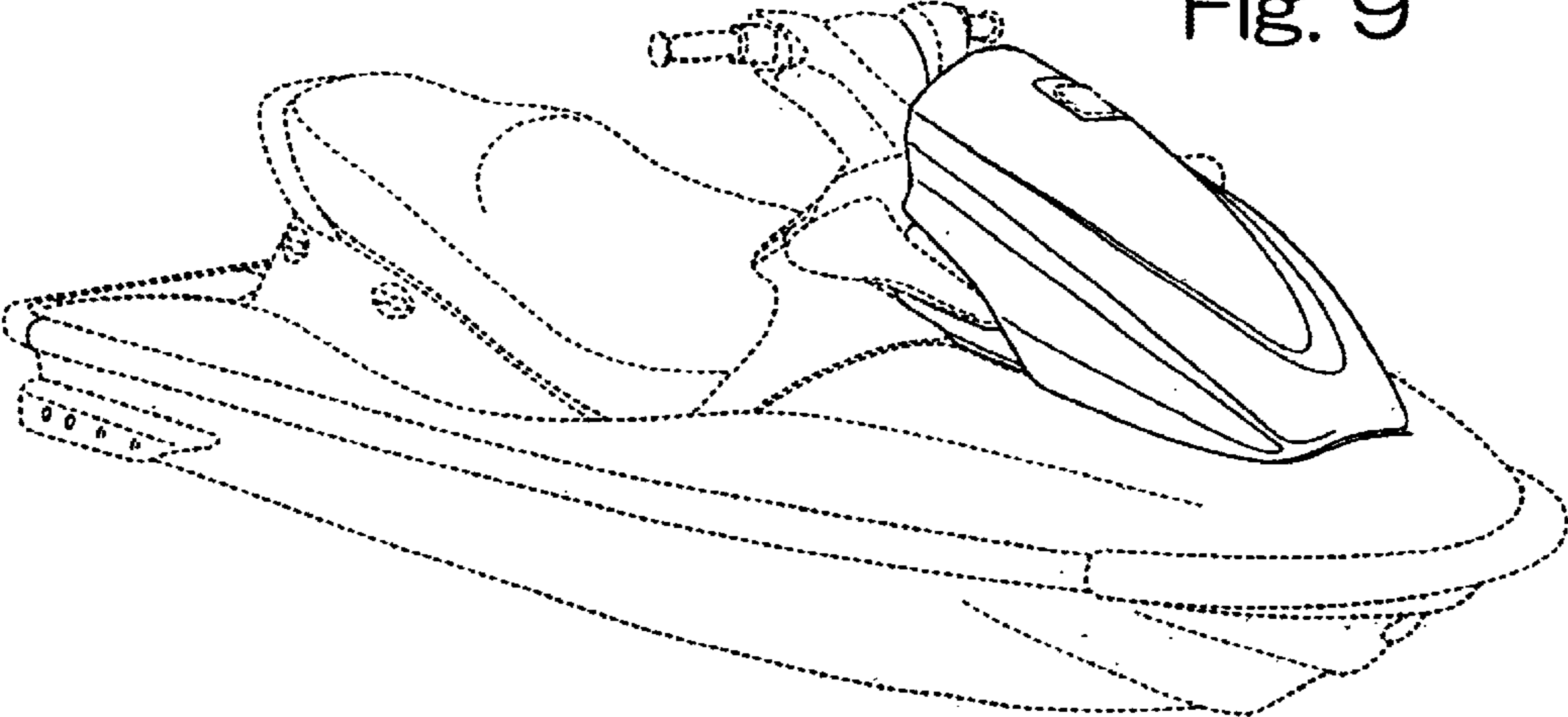


Fig. 10

