

US00D508453S

(12) **United States Design Patent**
Ahern

(10) **Patent No.:** **US D508,453 S**

(45) **Date of Patent:** **** Aug. 16, 2005**

(54) **KEEL CUBE**

(76) **Inventor:** **Roy Ahern**, 1120 Front St., Hudson,
WI (US) 54016

(**) **Term:** **14 Years**

(21) **Appl. No.:** **29/191,254**

(22) **Filed:** **Sep. 30, 2003**

(51) **LOC (8) Cl.** **12-06**

(52) **U.S. Cl.** **D12/317**

(58) **Field of Search** D12/300, 317;
114/39.15; 405/7; 248/405; 441/79

(56) **References Cited**

U.S. PATENT DOCUMENTS

1,385,487	A	*	7/1921	Kennison	405/7
1,515,435	A	*	11/1924	Glover	405/7
3,452,547	A	*	7/1969	Joosten	405/7
5,690,523	A	*	11/1997	Yu	441/35
5,795,098	A	*	8/1998	Rueckert	405/7

* cited by examiner

Primary Examiner—Holly Baynham
Assistant Examiner—Cynthia M. Chin

(74) *Attorney, Agent, or Firm*—McHale & Slavin

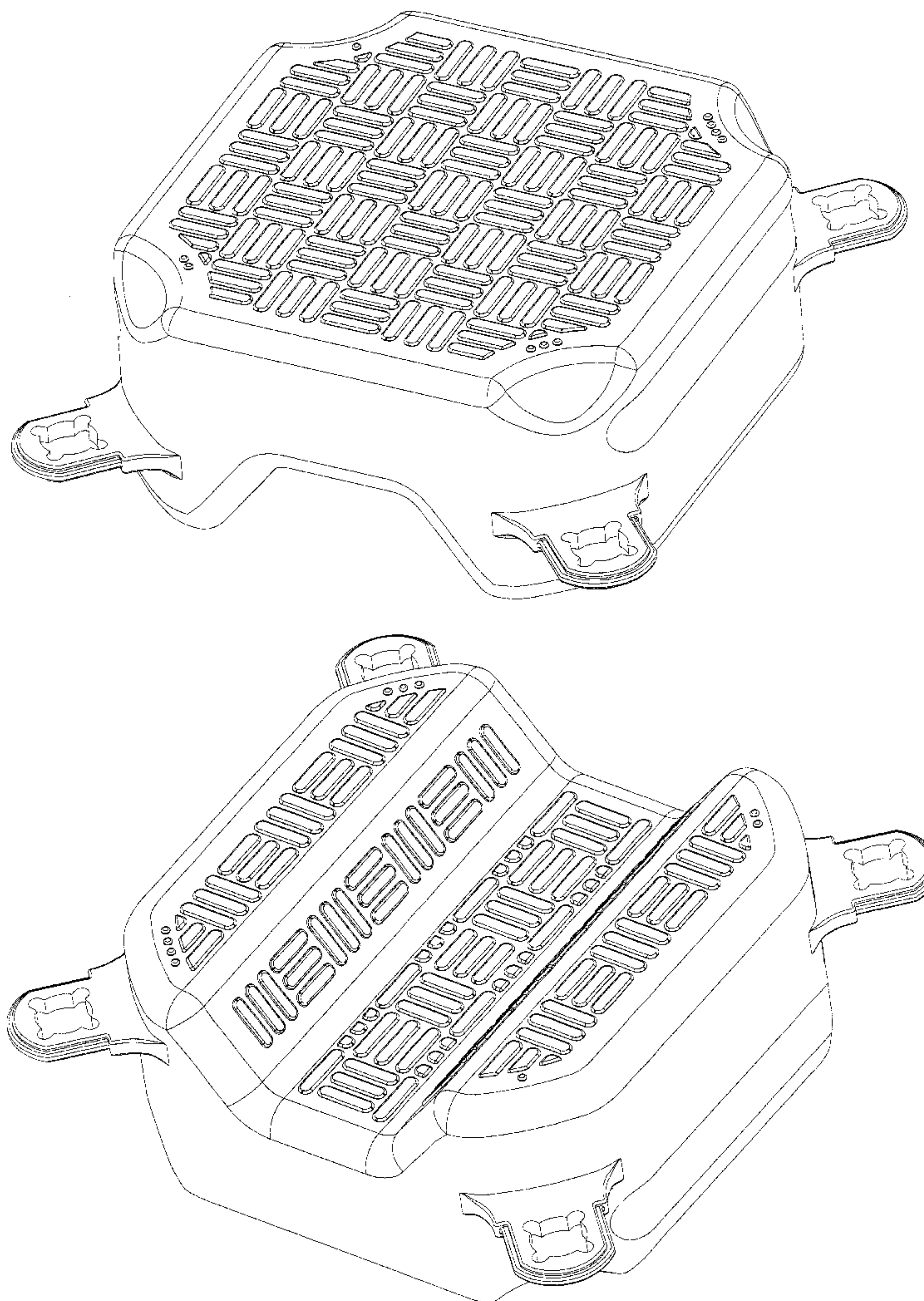
(57) **CLAIM**

The ornamental design for a keel cube, as shown and described.

DESCRIPTION

FIG. 1 is a top perspective view of the instant invention;
FIG. 2 is a bottom perspective view of the instant invention;
FIG. 3 is a top view thereof;
FIG. 4 is a left side view thereof;
FIG. 5 is a right side view thereof;
FIG. 6 is a front view thereof;
FIG. 7 is a back view thereof; and,
FIG. 8 is a bottom view thereof.

1 Claim, 8 Drawing Sheets



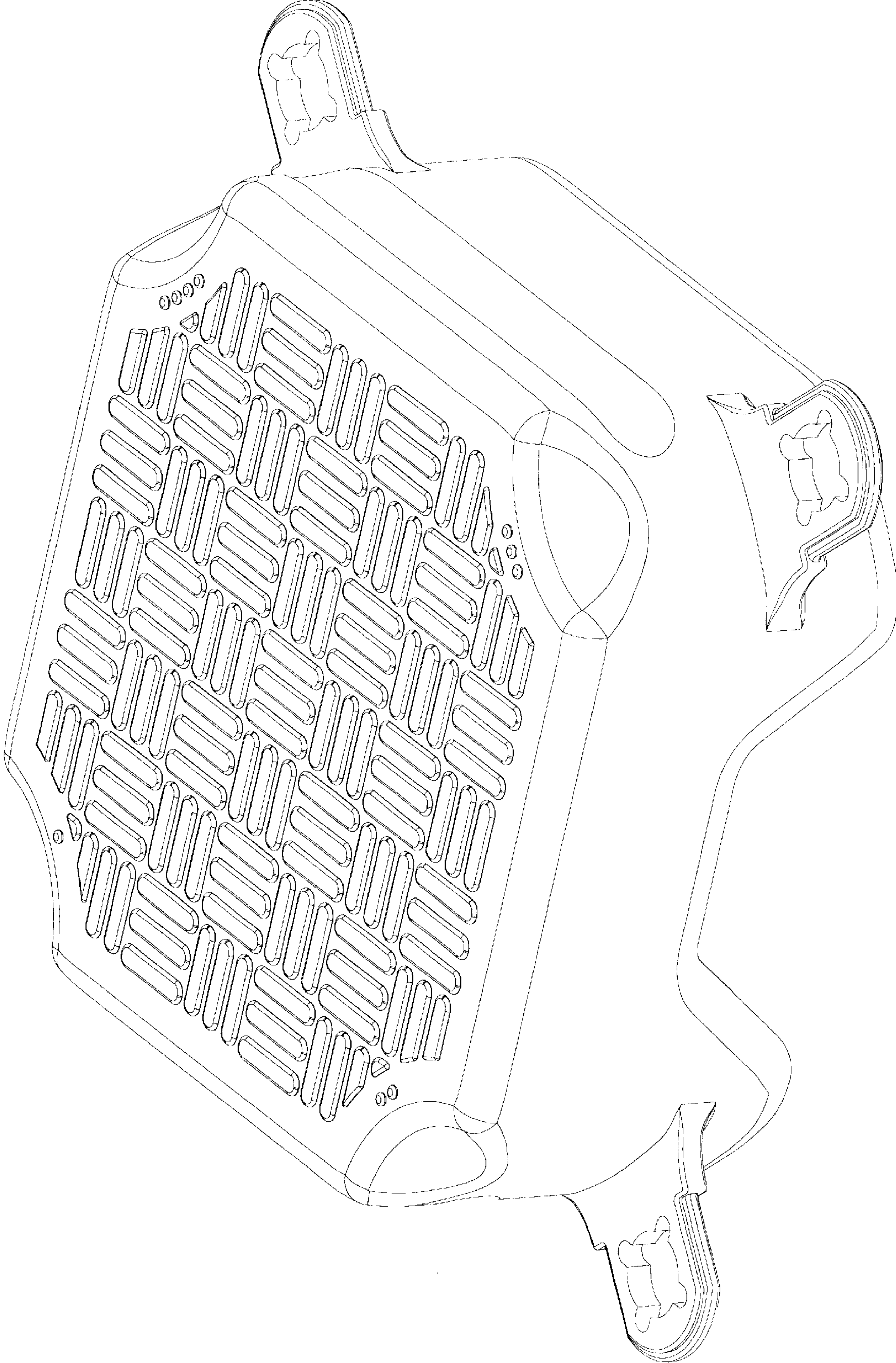


FIGURE 1

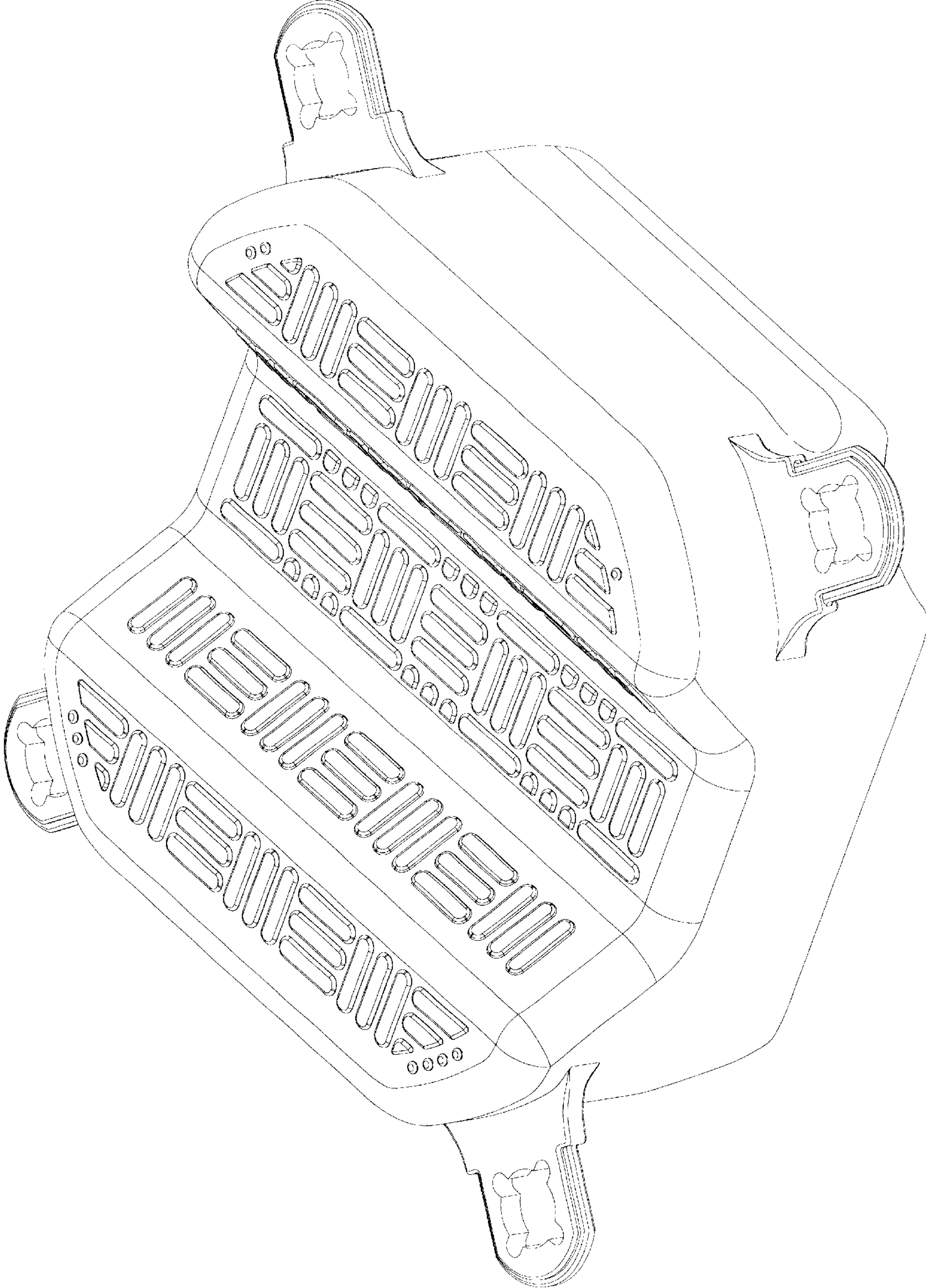


FIGURE 2

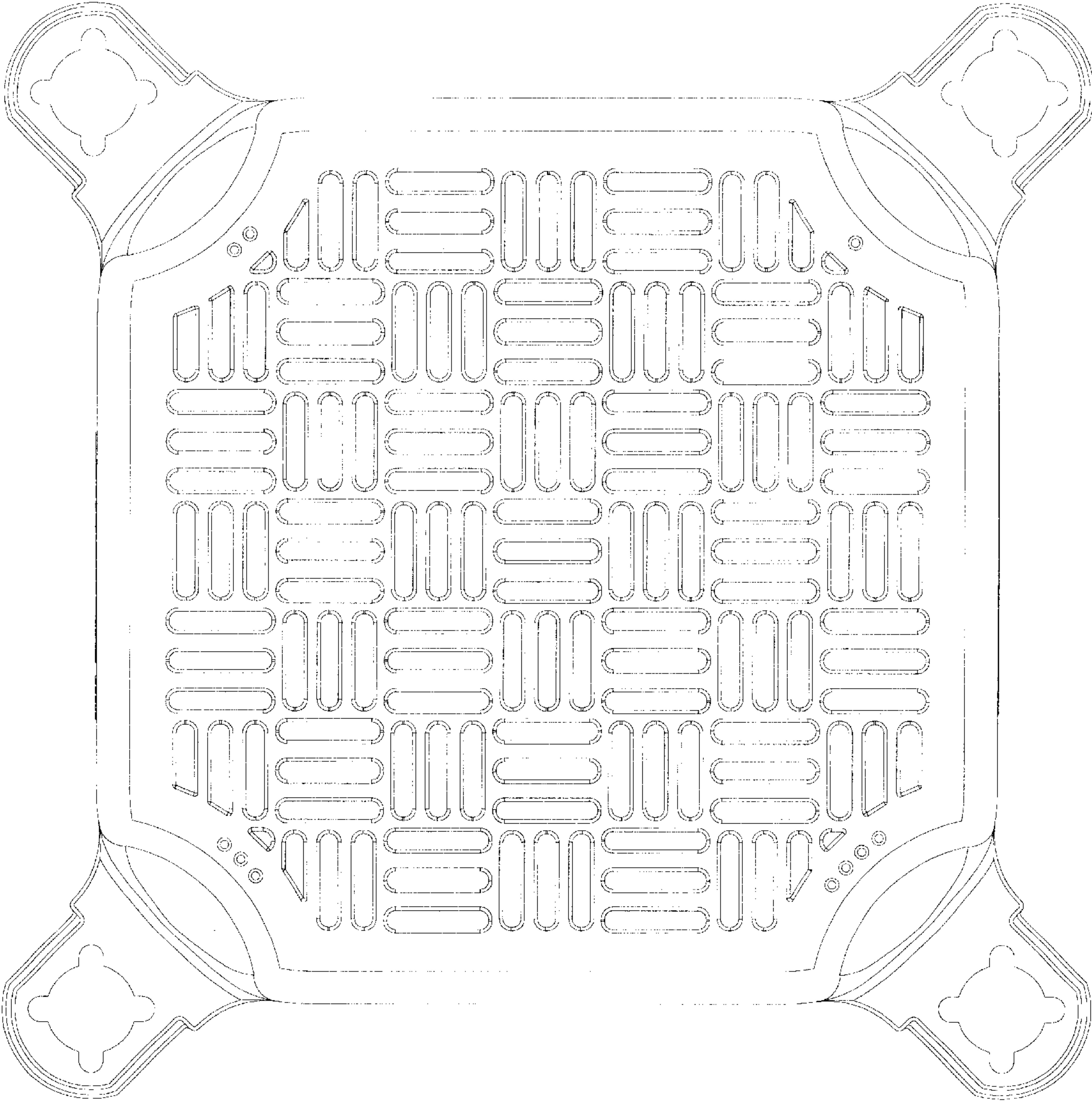


FIGURE 3

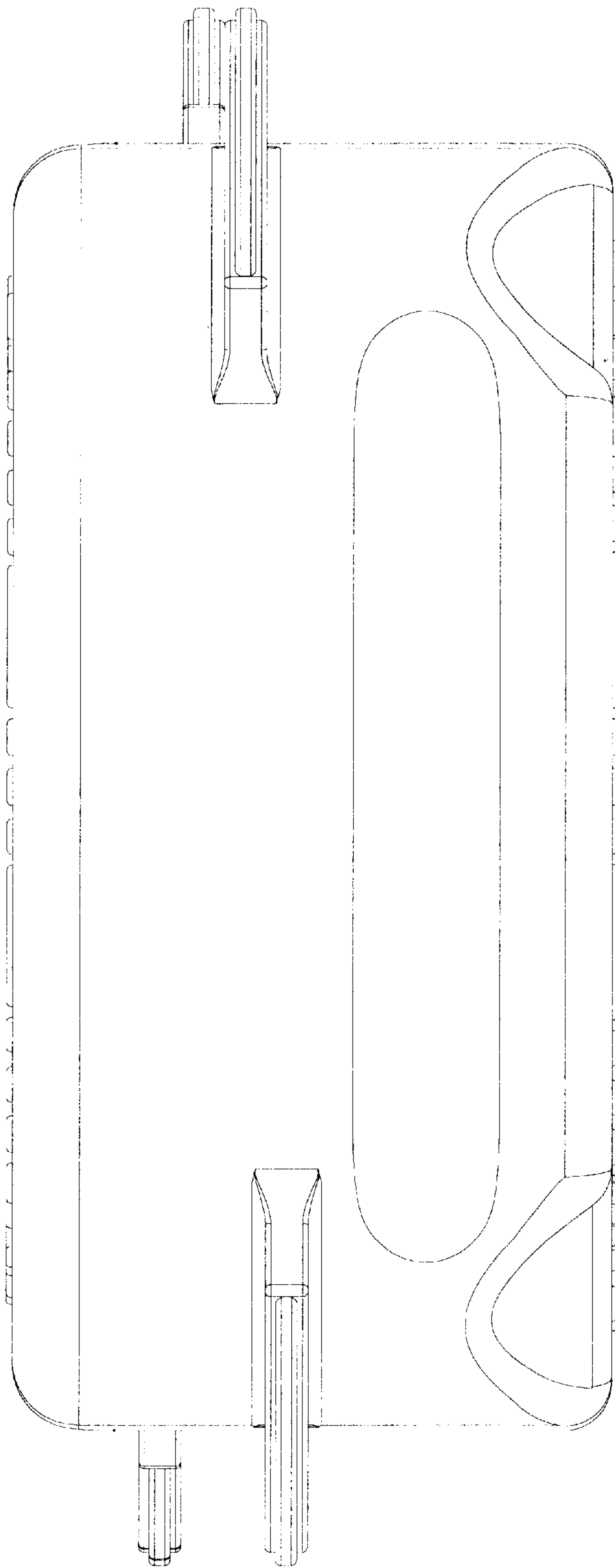


FIGURE 4

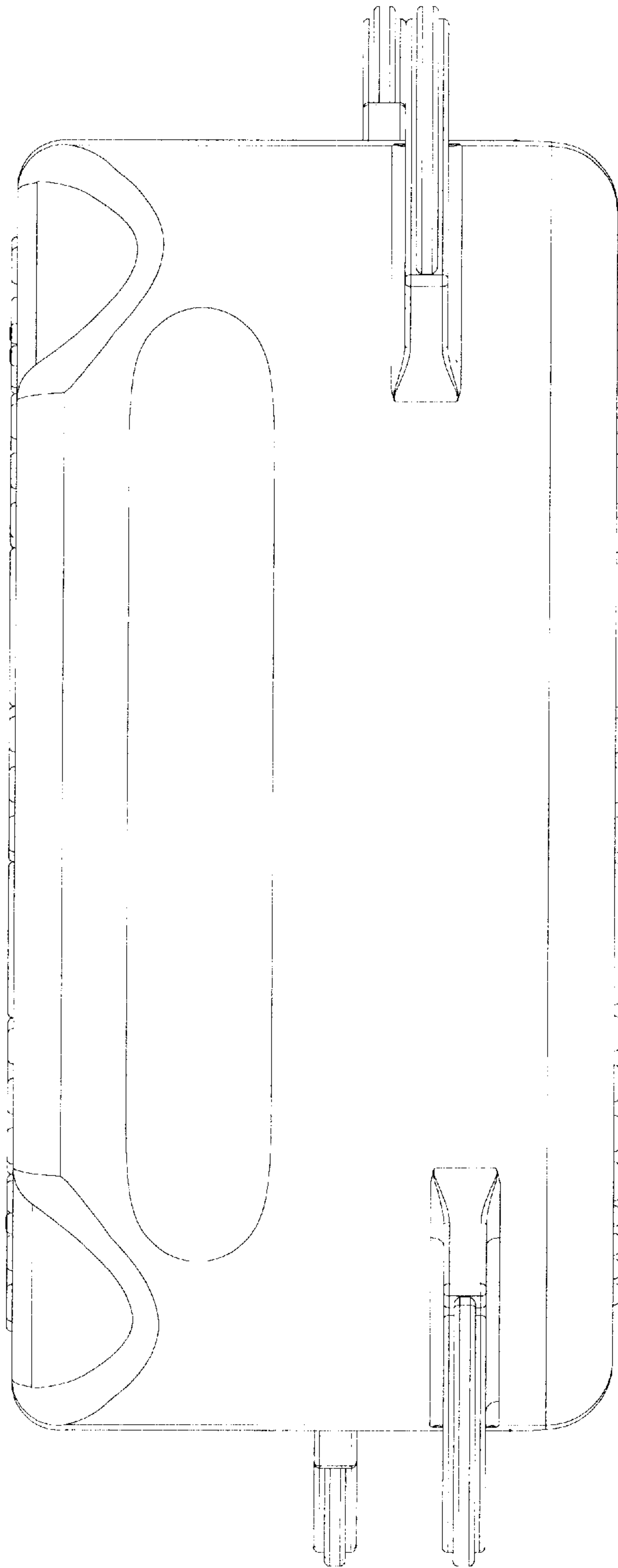


FIGURE 5

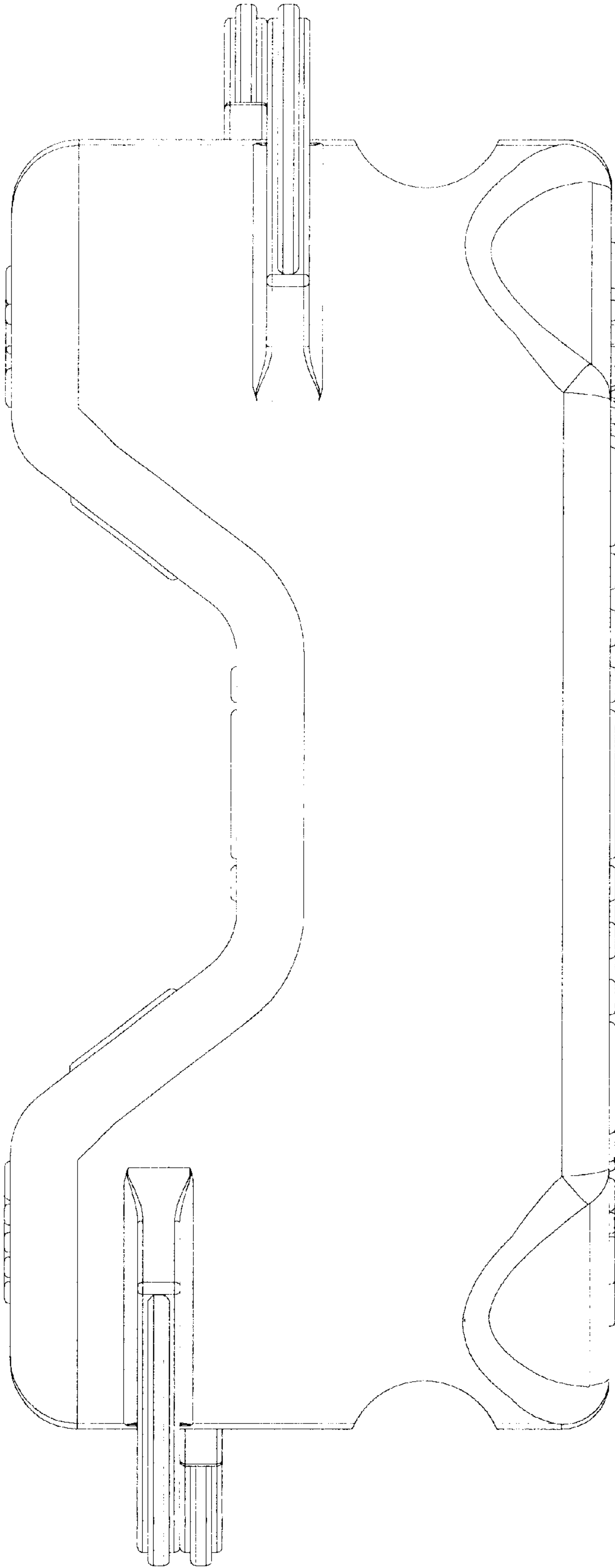


FIGURE 6

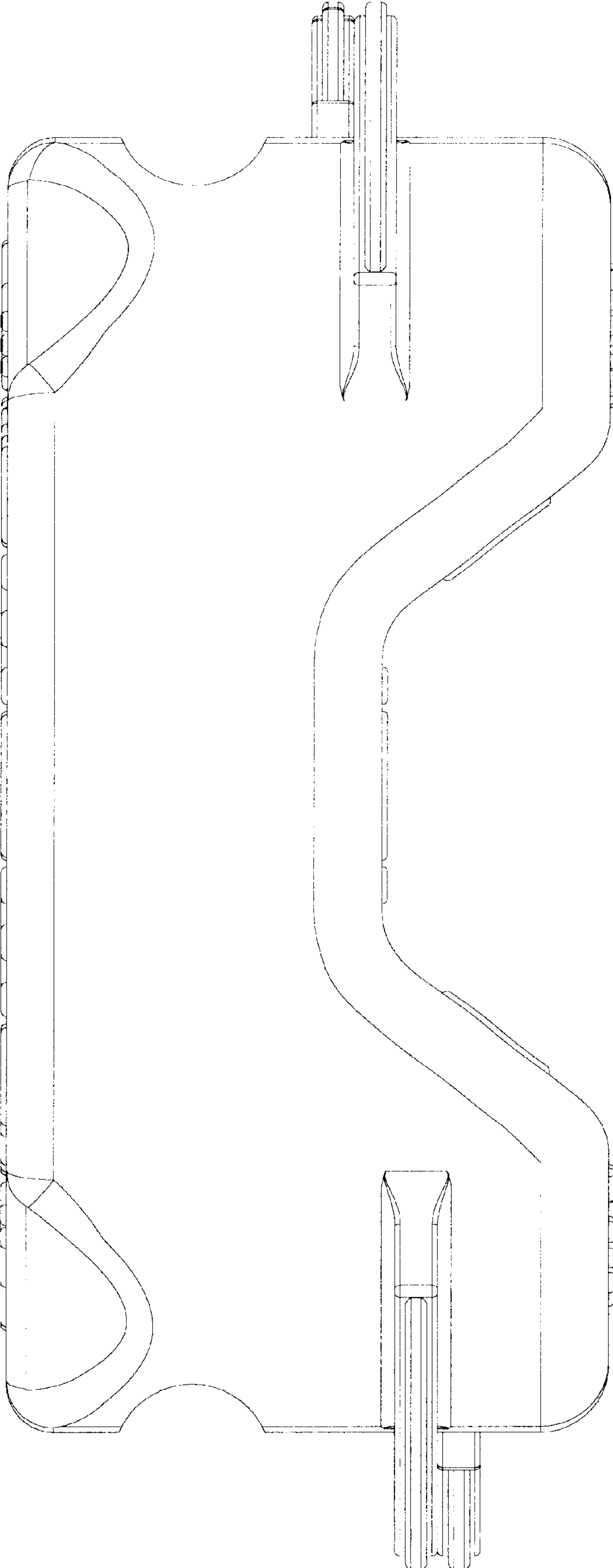


FIGURE 7

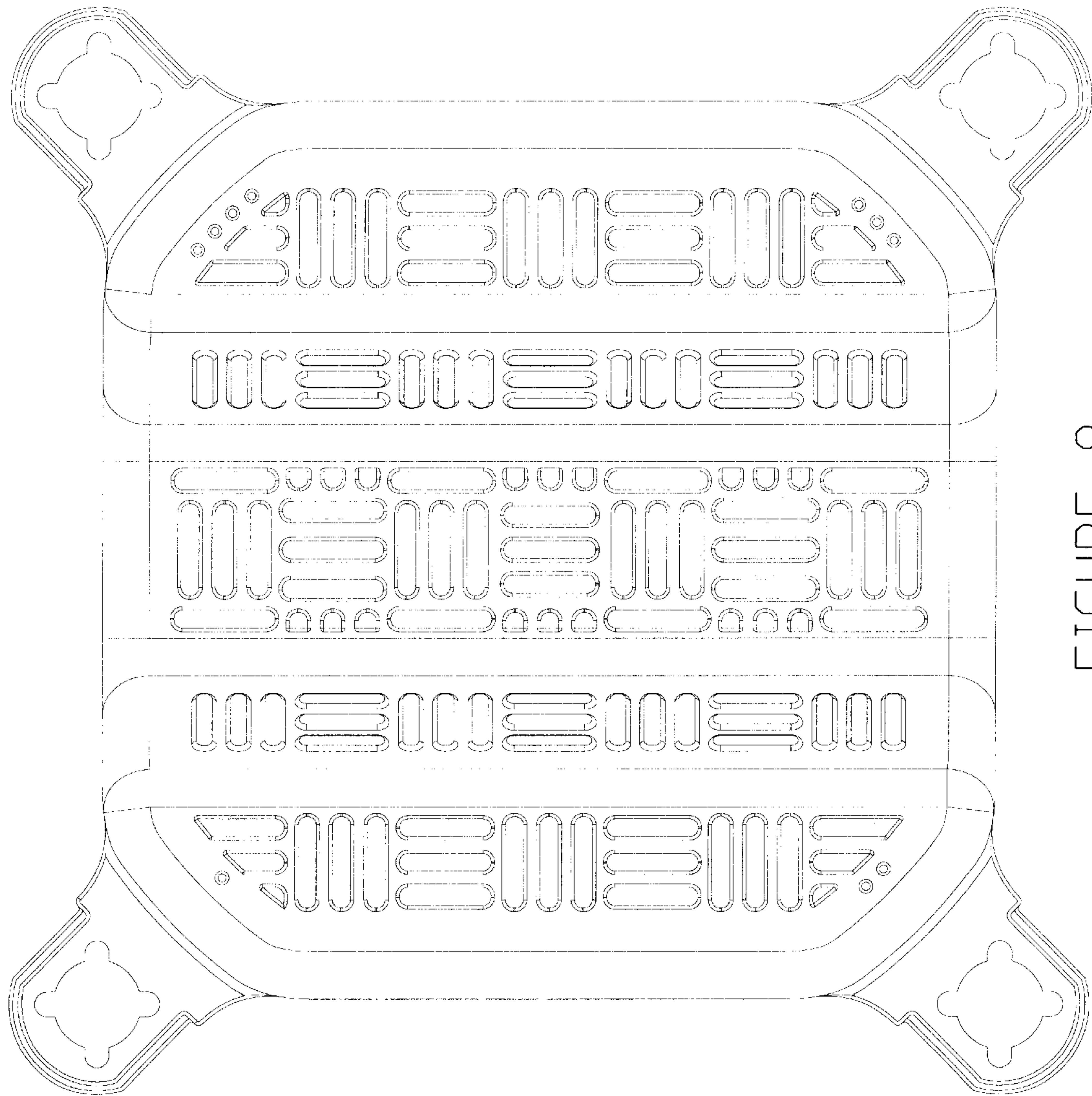


FIGURE 8