

US00D508445S

(12) **United States Design Patent**
Hall et al.

(10) **Patent No.:** **US D508,445 S**

(45) **Date of Patent:** **** Aug. 16, 2005**

(54) **VEHICLE GRILLE**

(75) Inventors: **Jarad W. Hall**, Manhattan Beach, CA (US); **Joshua Targownik**, Los Angeles, CA (US); **Donald Lariviere**, Whittier, CA (US); **Aimee R. Sadle**, Pasadena, CA (US); **Donald Herner**, Anahiem Hills, CA (US); **Thomas Kim**, Reseda, CA (US); **Robb Augustine**, Dublin, OH (US)

(73) Assignee: **Honda Motor Co., Ltd.**, Tokyo (JP)

(**) Term: **14 Years**

(21) Appl. No.: **29/211,981**

(22) Filed: **Aug. 25, 2004**

(51) **LOC (8) Cl.** **12-16**

(52) **U.S. Cl.** **D12/163**

(58) **Field of Search** D12/163, 171,
D12/90-92, 216, 169, 196; 180/68.1, 68.6;
296/194

(56) **References Cited**

U.S. PATENT DOCUMENTS

D291,294 S * 8/1987 Soma D12/163

D293,230 S * 12/1987 Kawaoka D12/163
D298,614 S * 11/1988 Kikuchi D12/163
D306,151 S * 2/1990 Koga D12/163
D494,113 S * 8/2004 Hall et al. D12/163
D501,161 S * 1/2005 Hall et al. D12/163

* cited by examiner

Primary Examiner—Melody N. Brown

(74) *Attorney, Agent, or Firm*—Plumsea Law Group, LLC

(57) **CLAIM**

The ornamental design for a vehicle grille, as shown and described.

DESCRIPTION

FIG. 1 is a perspective view of a vehicle grille showing our new design;

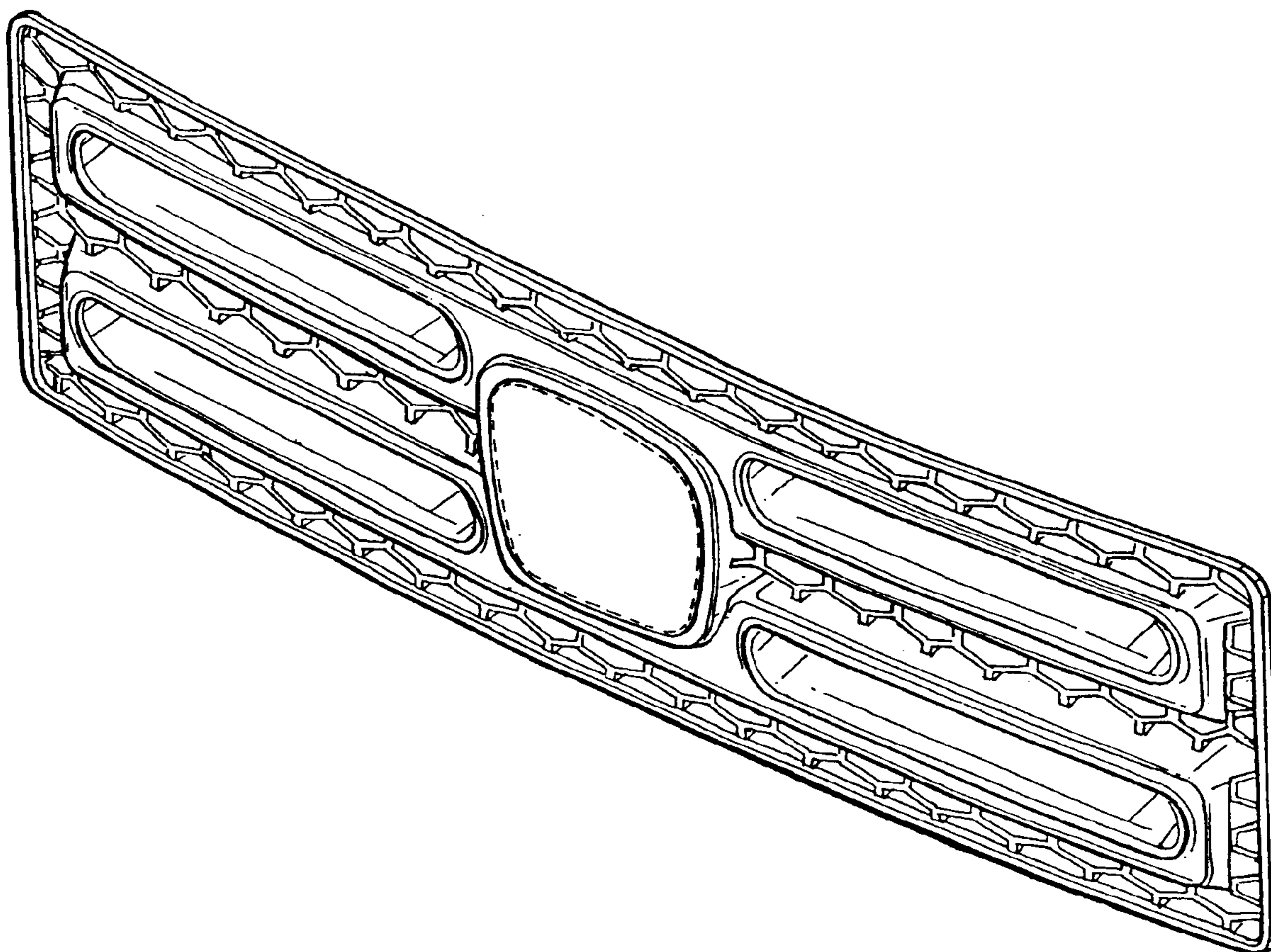
FIG. 2 is a side elevational view thereof, the opposite side elevational view being a mirror image;

FIG. 3 is a front elevational view thereof; and,

FIG. 4 is a top plan view thereof, the bottom plan view being a mirror image.

The broken line showing of the center marquee is for illustrative purposes only and forms no part of the claimed invention. The rear elevational view is not illustrated and forms no part of the claimed invention.

1 Claim, 2 Drawing Sheets



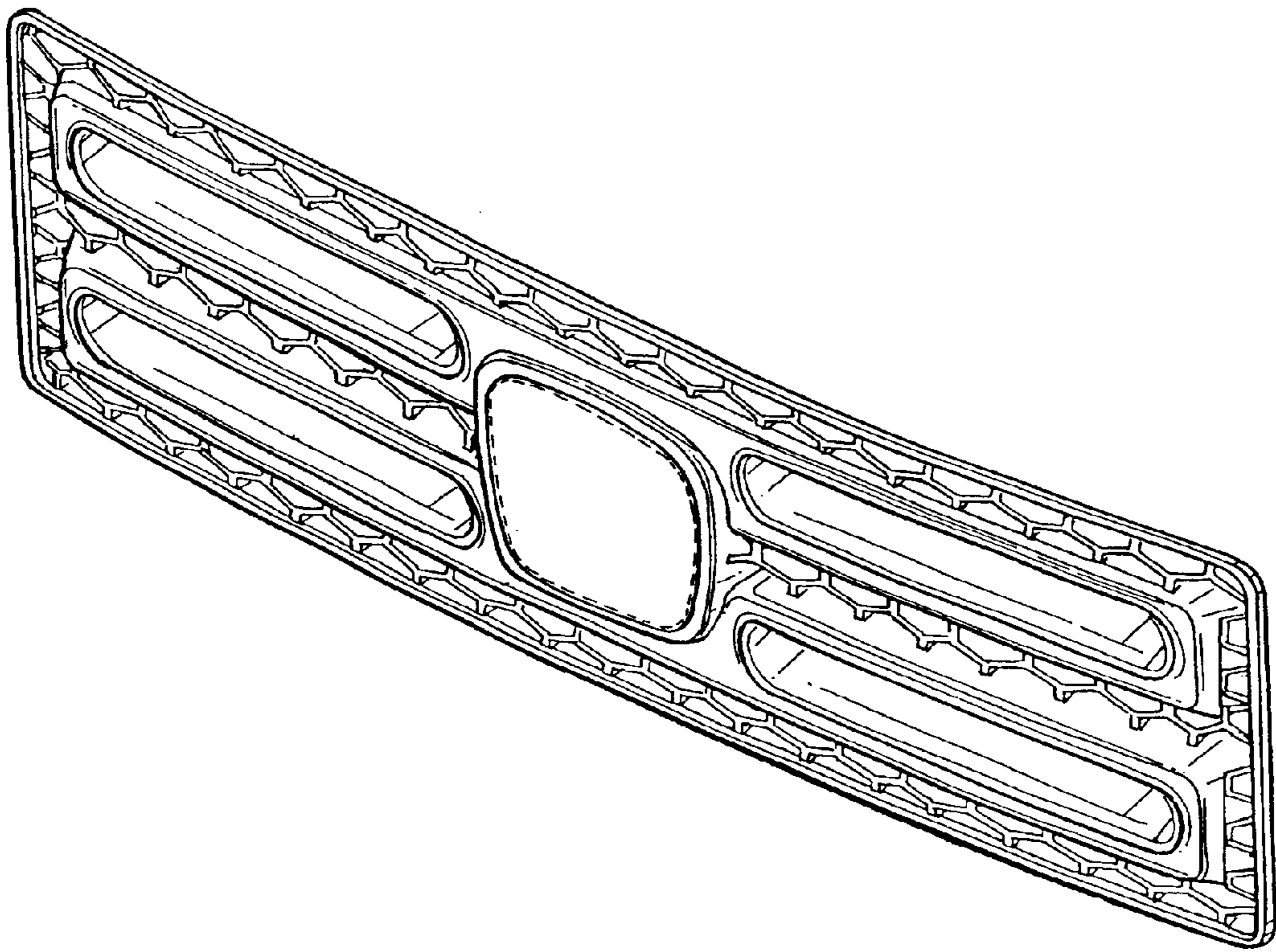


FIG. 1

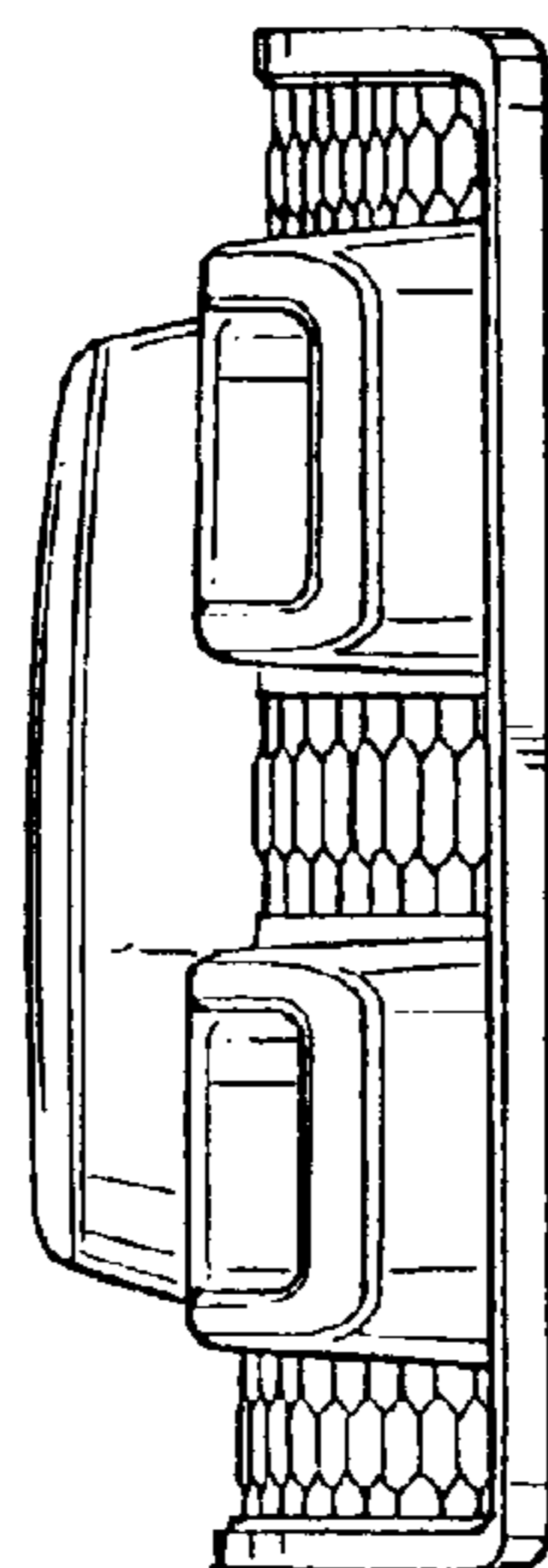


FIG. 2

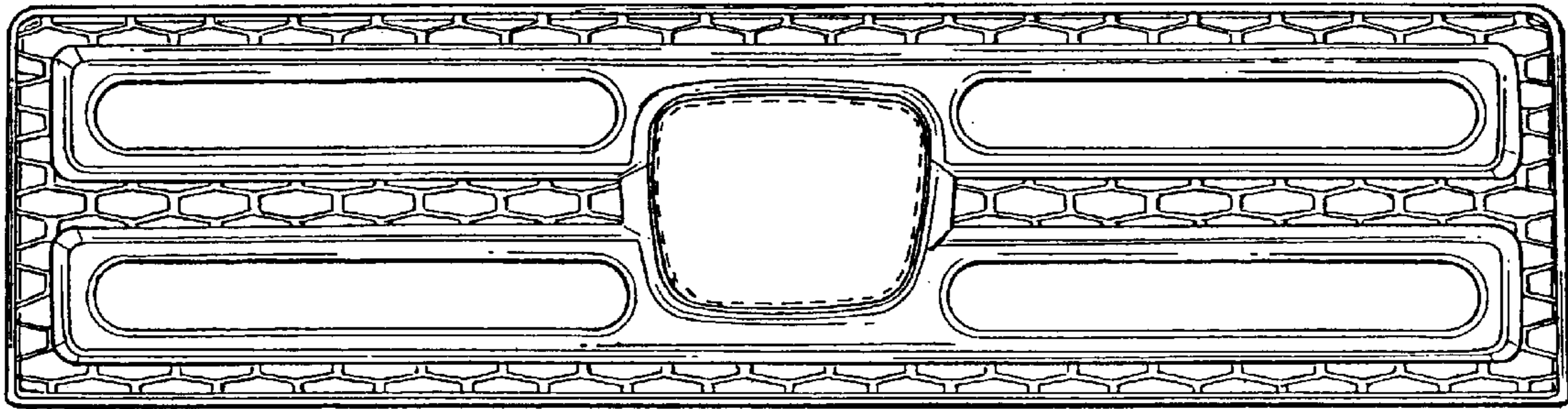


FIG. 3

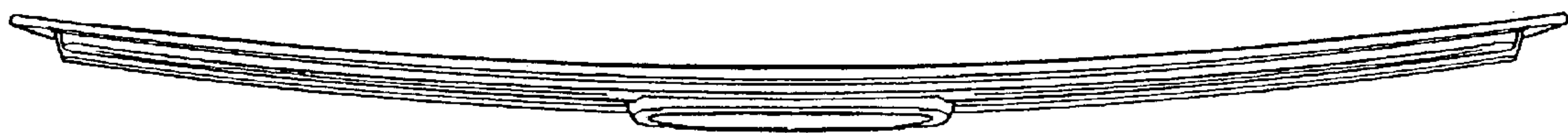


FIG. 4