



US00D508443S

(12) **United States Design Patent** (10) **Patent No.:** **US D508,443 S**
Sanchez (45) **Date of Patent:** **** Aug. 16, 2005**

(54) **COMBINATION INFANT SEAT CARRIER AND DETACHABLE STORABLE STROLLER SUPPORT ASSEMBLY**

Primary Examiner—Marcus A. Jackson
(74) *Attorney, Agent, or Firm*—Daniel J. Meany, Jr.

(76) **Inventor:** **Alphonso V. Sanchez**, 1133 Alameda Padre Serra, Santa Barbara, CA (US) 93103

(57) **CLAIM**

The combination infant seat carrier and detachable stroller support assembly, as shown and described.

(**) **Term:** **14 Years**

DESCRIPTION

(21) **Appl. No.:** **29/217,142**

The characteristic features of this design reside in the distinctive appearance of an assembled combination infant seat carrier and detachable stroller support assembly having detachable storable components including, as a component, an infant seat carrier configured for separate use in a passenger vehicle.

(22) **Filed:** **Nov. 12, 2004**

(51) **LOC (8) Cl.** **12-12**

(52) **U.S. Cl.** **D12/129**

(58) **Field of Search** D12/129–133;
280/42, 62, 641, 642, 650, 657, 658; 297/250.1,
484

FIG. 1 is a top, front and right side perspective view of a combination infant seat carrier and detachable stroller support assembly;

(56) **References Cited**

U.S. PATENT DOCUMENTS

3,738,600 A	6/1973	Harper	248/121
3,876,046 A	4/1975	Lerner et al.	191/29 R
4,570,956 A	2/1986	Dyer	280/30
4,750,783 A	6/1988	Irby et al.	297/250
5,188,389 A	2/1993	Baechler et al.	280/650
5,234,224 A	8/1993	Kim	280/30
5,499,831 A	3/1996	Worth et al.	280/30
5,536,027 A	7/1996	Gollub	280/30
5,562,300 A	10/1996	Nelson	280/655.1
D397,316 S	8/1998	Baechler	D12/129
5,876,046 A	3/1999	Courtney et al.	280/30
6,189,914 B1	2/2001	Worth et al.	280/642
6,193,263 B1	2/2001	Lin	280/643
6,209,892 B1	9/2001	Schaff et al.	280/33.993
6,290,290 B1	9/2001	Kokuzian et al.	297/130
6,302,412 B1	10/2001	Worth et al.	280/30
6,398,233 B1	6/2002	Liang et al.	280/30
6,550,802 B2	4/2003	Sheehan	280/658
D481,975 S	* 11/2003	Prouty	D12/129
D486,427 S	* 2/2004	Garza	D12/129
D497,844 S	* 11/2004	Chou et al.	D12/129

FIG. 2 is a bottom, rear and right side perspective view of a combination infant seat carrier and detachable stroller support assembly of FIG. 1;

FIG. 3 is a front elevational view of a combination infant seat carrier and detachable stroller support assembly of FIG. 1;

FIG. 4 is a bottom plan view of a combination infant seat carrier and detachable stroller support assembly of FIG. 3;

FIG. 5 is a top plan view of combination infant seat carrier and detachable stroller support assembly of FIG. 3;

FIG. 6 is a right side elevational view of a combination infant seat carrier and detachable stroller support assembly of FIG. 3;

FIG. 7 is a left side elevational view of a combination infant seat carrier and detachable stroller support assembly of FIG. 3; and,

FIG. 8 is a top, front and right side exploded perspective view of a combination infant seat carrier and detachable stroller support assembly of FIG. 1.

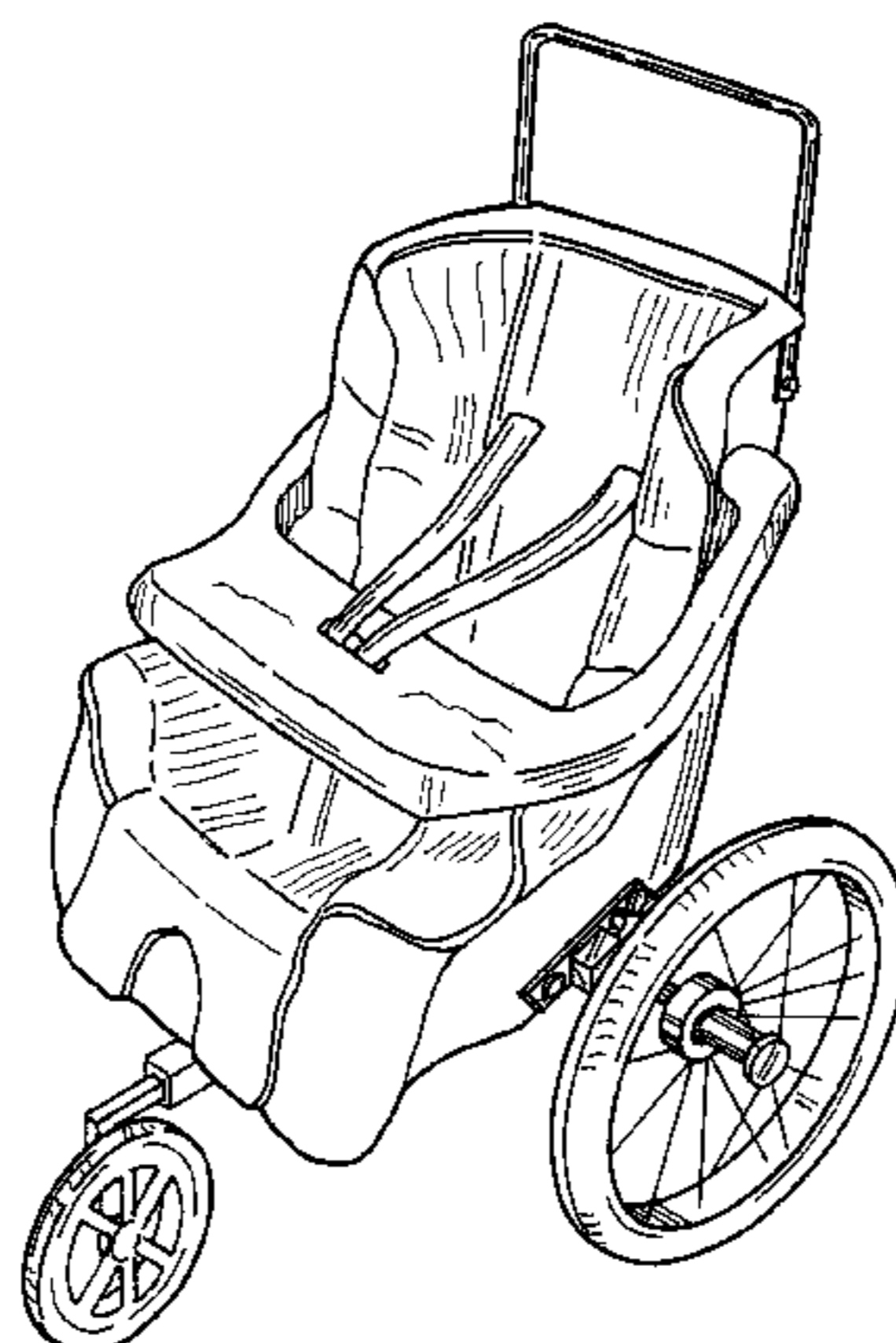
The broken lines showing the operative or assembled positions of the detachable storable components of the combination infant seat carrier and detachable stroller support assembly relative to each other are for illustrative purposes only and form no part of the claimed invention.

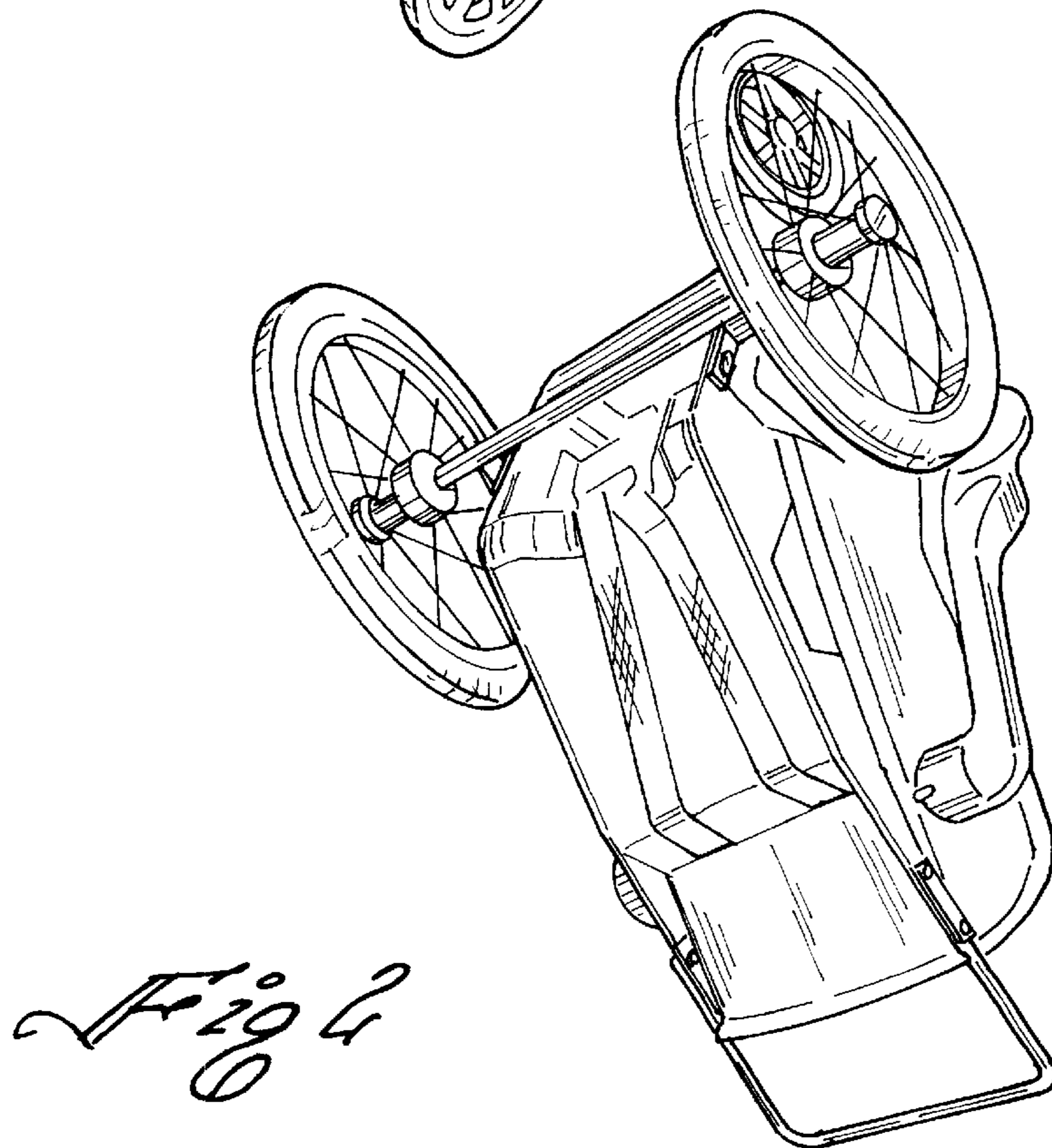
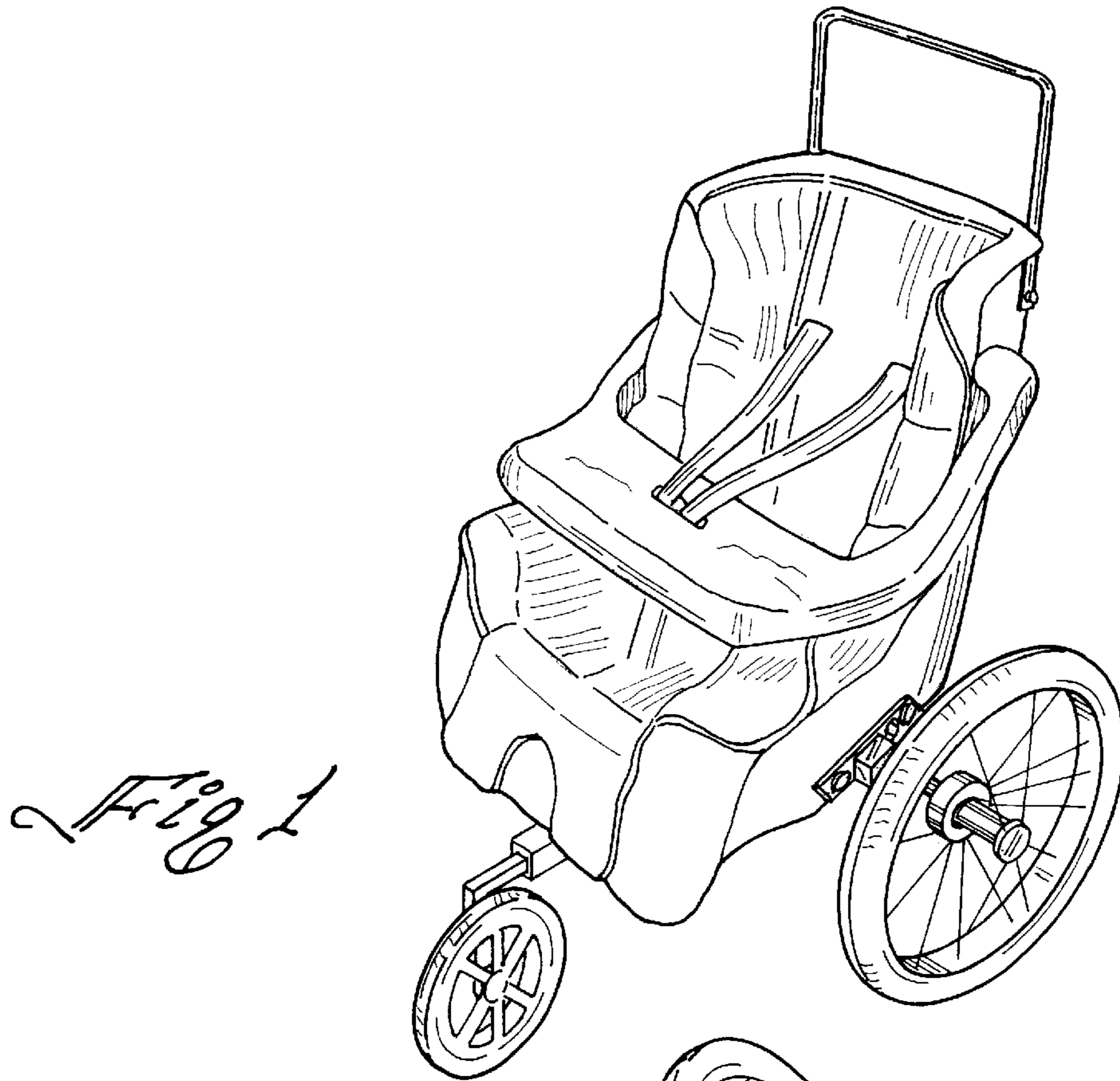
OTHER PUBLICATIONS

Mega-strollers helping push obesity, experts say; Article, One (1) Page; Jan. 27, 2004, Santa Barbara News Press.

* cited by examiner

1 Claim, 3 Drawing Sheets





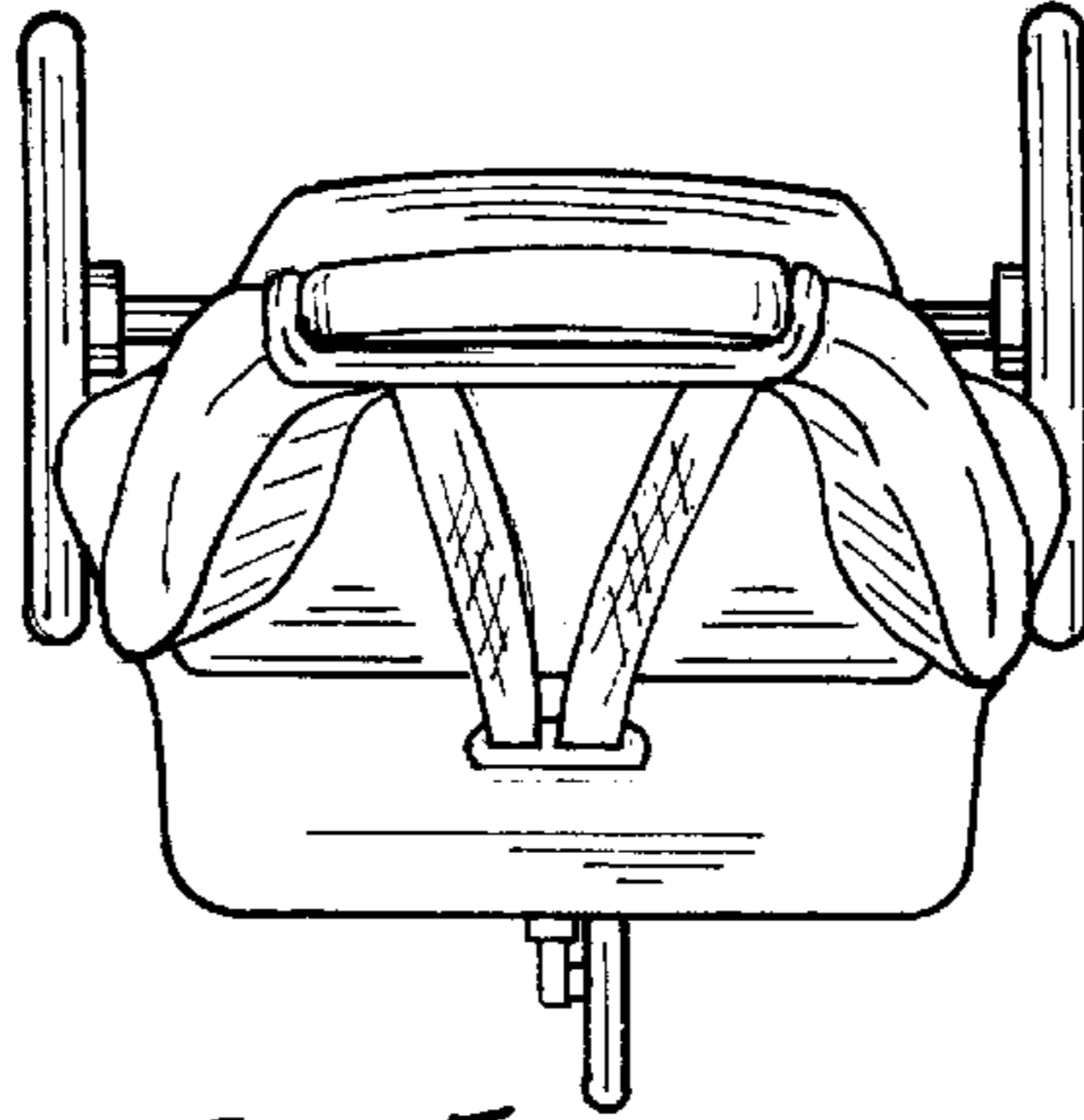


Fig 5

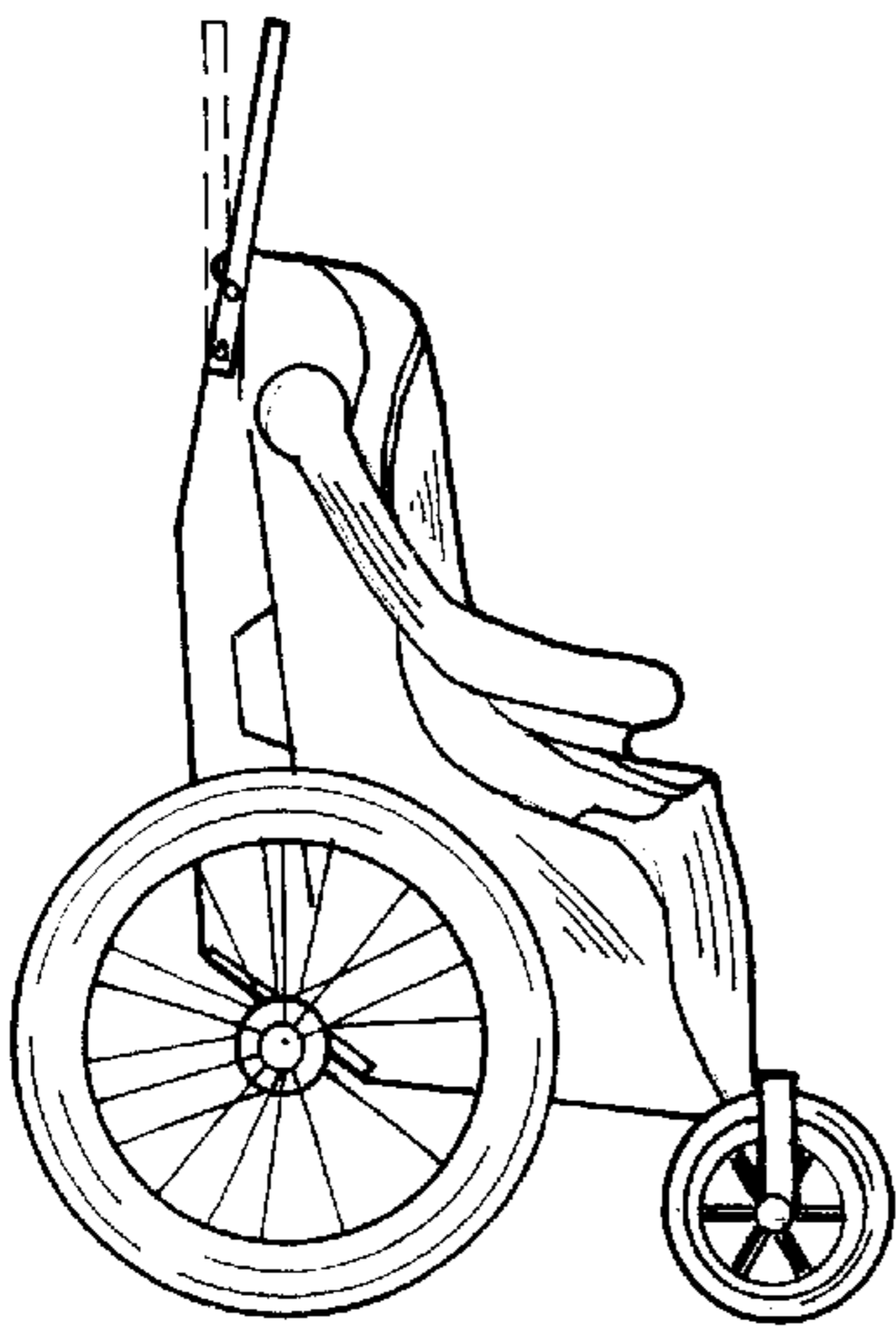


Fig 7

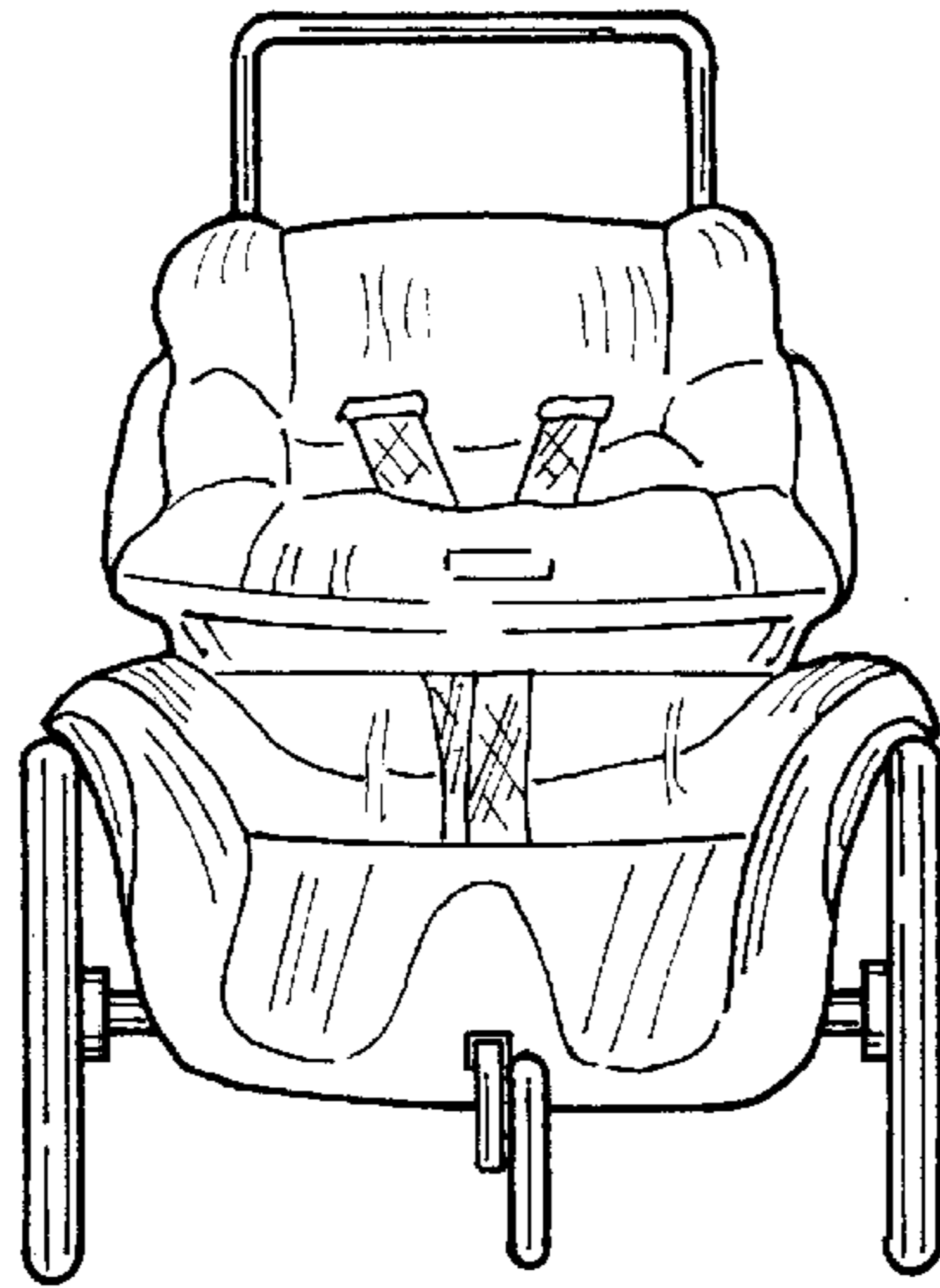


Fig 3

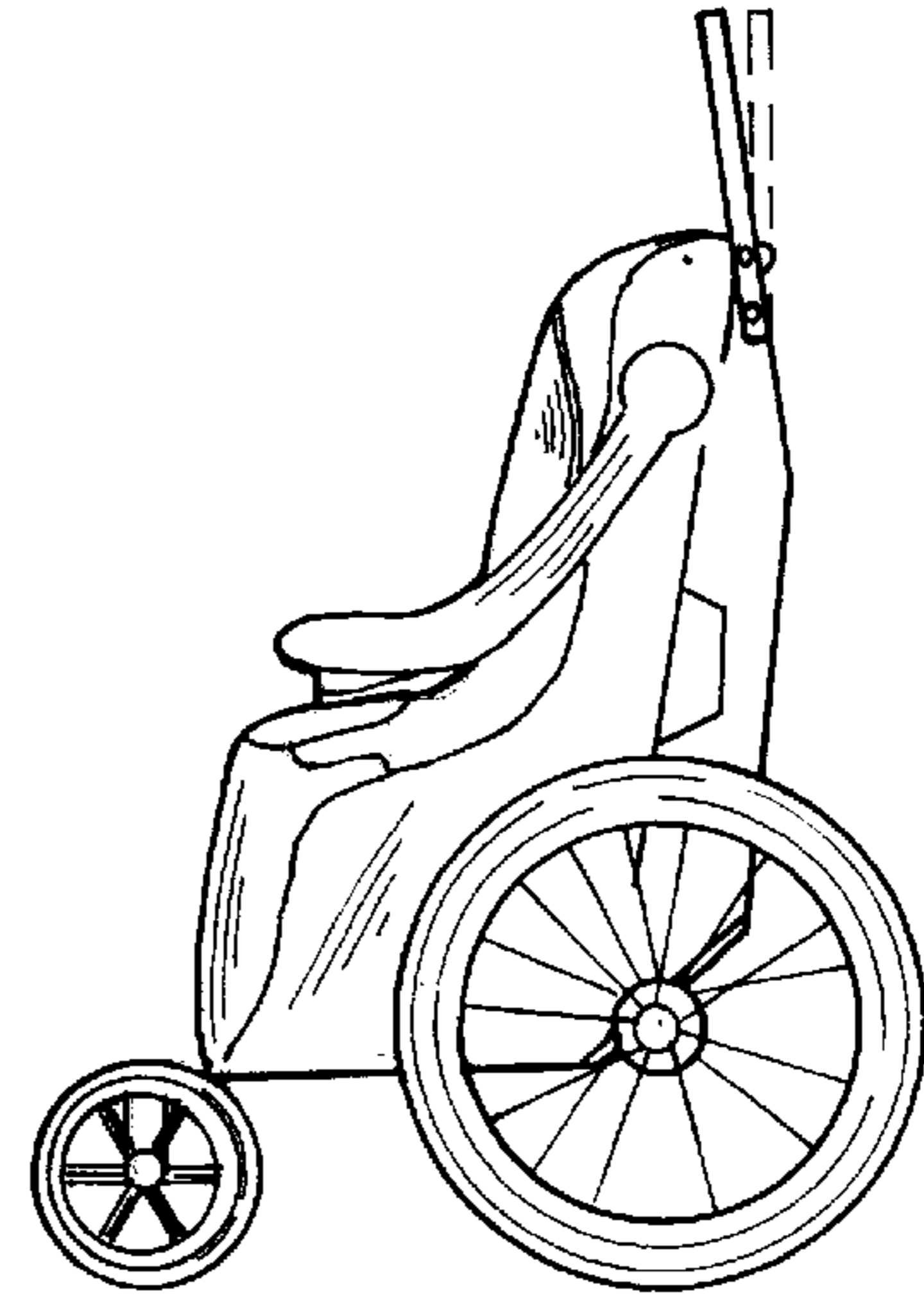


Fig 6

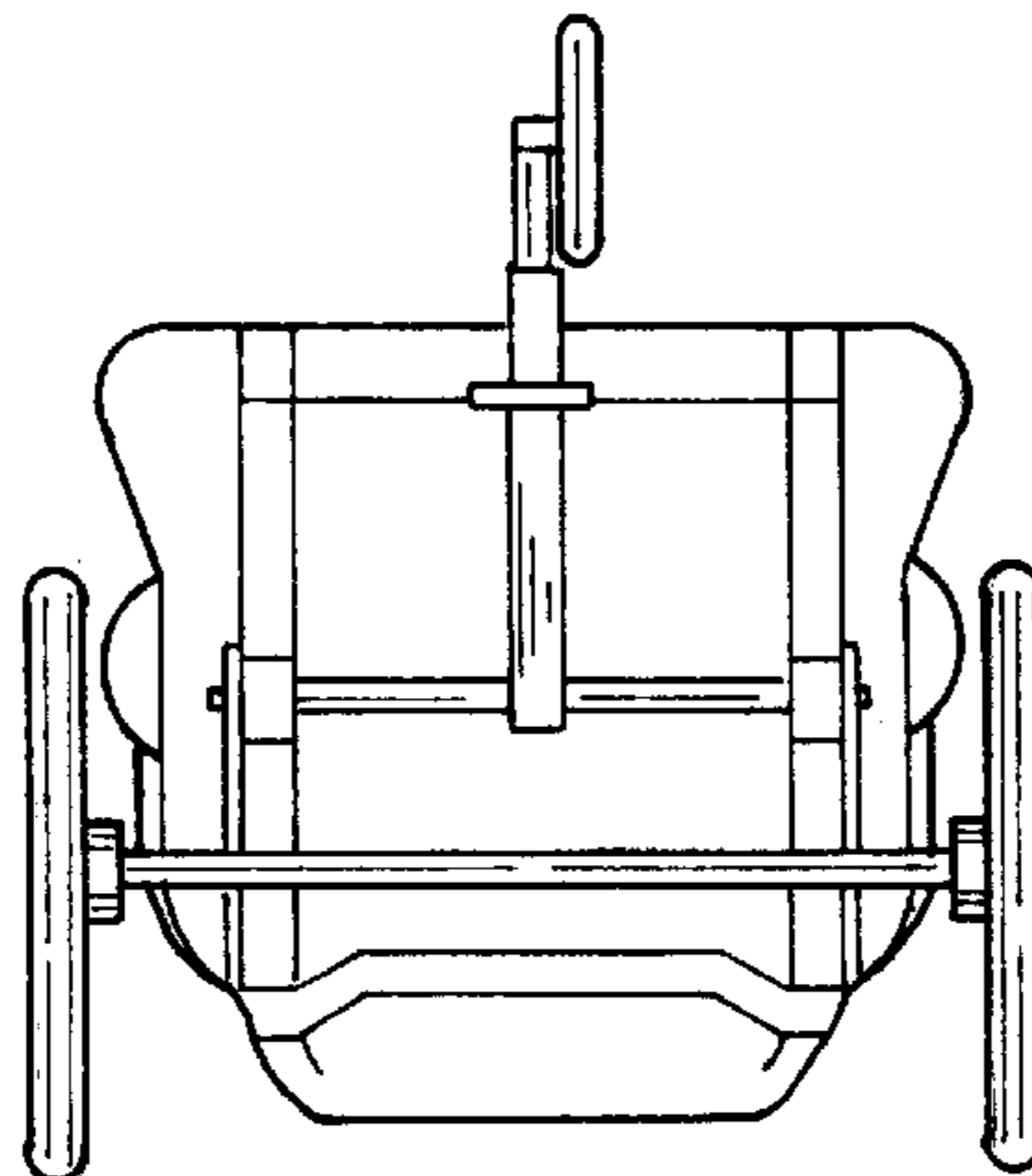


Fig 4

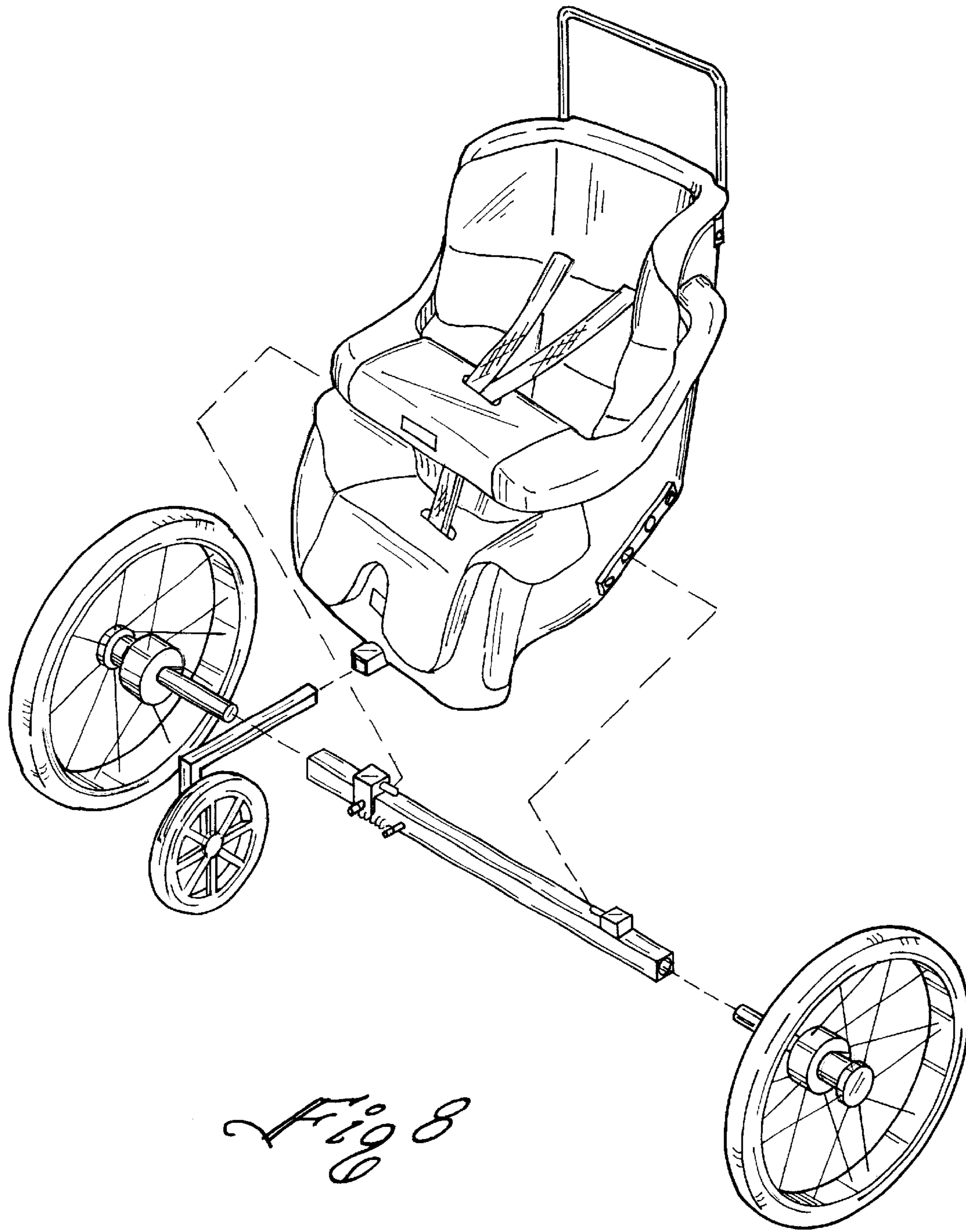


Fig 8