

US00D508440S

(12) **United States Design Patent**  
**Hall et al.**

(10) **Patent No.:** **US D508,440 S**  
(45) **Date of Patent:** **\*\* Aug. 16, 2005**

(54) **VEHICLE**

(75) Inventors: **Jarad William Hall**, Manhattan Beach, CA (US); **Mami Endo**, Redondo Beach, CA (US); **Joshua Targownik**, Los Angeles, CA (US); **John Andrew Frye**, San Pedro, CA (US); **Donald Lariviere**, Whittier, CA (US); **Don Herner**, Anahiem Hills, CA (US); **Aimee Renee Sadle**, Pasadena, CA (US); **Thomas Hahn Kim**, Reseda, CA (US)

(73) Assignee: **Honda Giken Kogyo Kabushiki Kaisha**, Tokyo (JP)

(\*\*) Term: **14 Years**

(21) Appl. No.: **29/210,378**

(22) Filed: **Aug. 2, 2004**

**Related U.S. Application Data**

(62) Division of application No. 29/190,103, filed on Sep. 16, 2003, now Pat. No. Des. 494,105.

(51) **LOC (8) Cl.** ..... **12-08**

(52) **U.S. Cl.** ..... **D12/98**

(58) **Field of Search** ..... D12/98, 93; 296/183, 296/185, 186, 37.6, 24.1

(56) **References Cited**

**U.S. PATENT DOCUMENTS**

D474,716 S 5/2003 Wakao

D479,158 S 9/2003 Hayashi et al.  
D481,333 S 10/2003 Fukushima  
D481,656 S 11/2003 Fukushima  
D494,105 S \* 8/2004 Hall et al. .... D12/98  
D500,461 S \* 1/2005 Noguchi et al. .... D12/98

\* cited by examiner

*Primary Examiner*—Melody N. Brown  
(74) *Attorney, Agent, or Firm*—Plumsea Law Group, LLC

(57) **CLAIM**

The ornamental design for a vehicle, as shown and described.

**DESCRIPTION**

FIG. 1 is a front perspective view of the vehicle showing our new design;

FIG. 2 is a front elevational view thereof;

FIG. 3 is a side elevational view thereof, the opposite side being a mirror image;

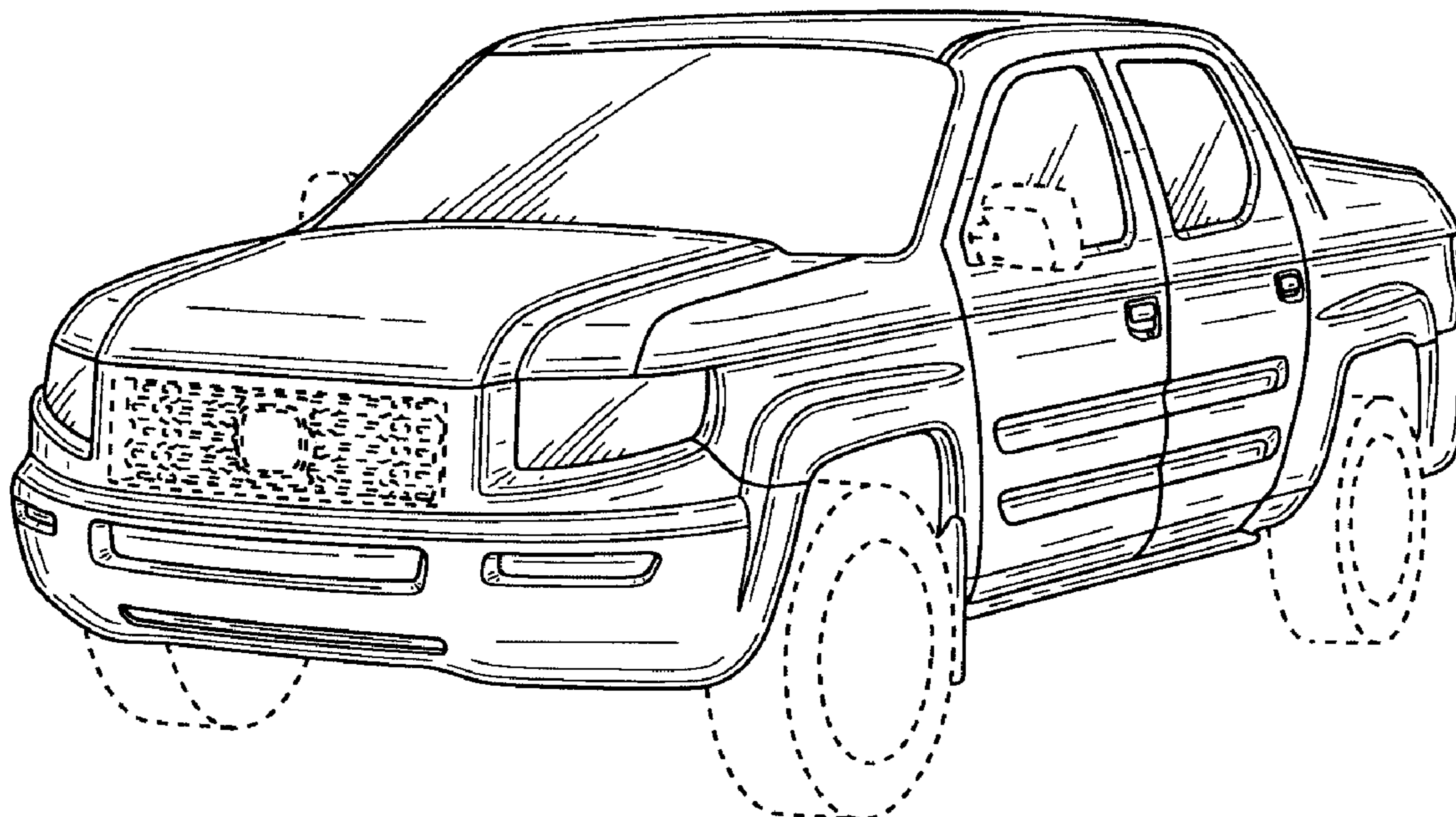
FIG. 4 is a rear elevational view thereof;

FIG. 5 is a rear perspective view thereof; and,

FIG. 6 is a top plan view thereof.

The broken line showings of the wheels, tires, side mirrors and front grille area for illustrative purposes only and form no part of the claimed design.

**1 Claim, 4 Drawing Sheets**



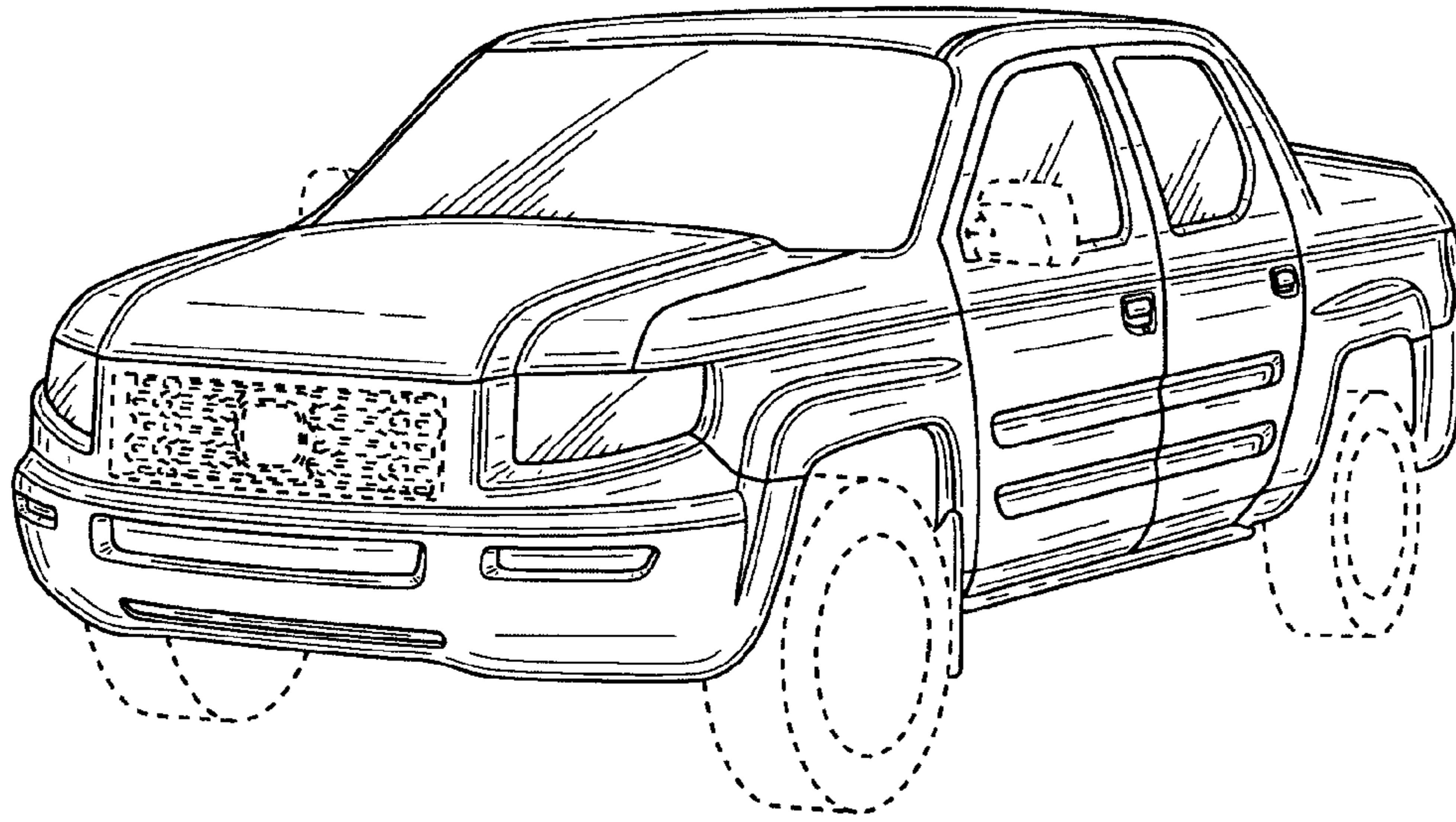


FIG. 1

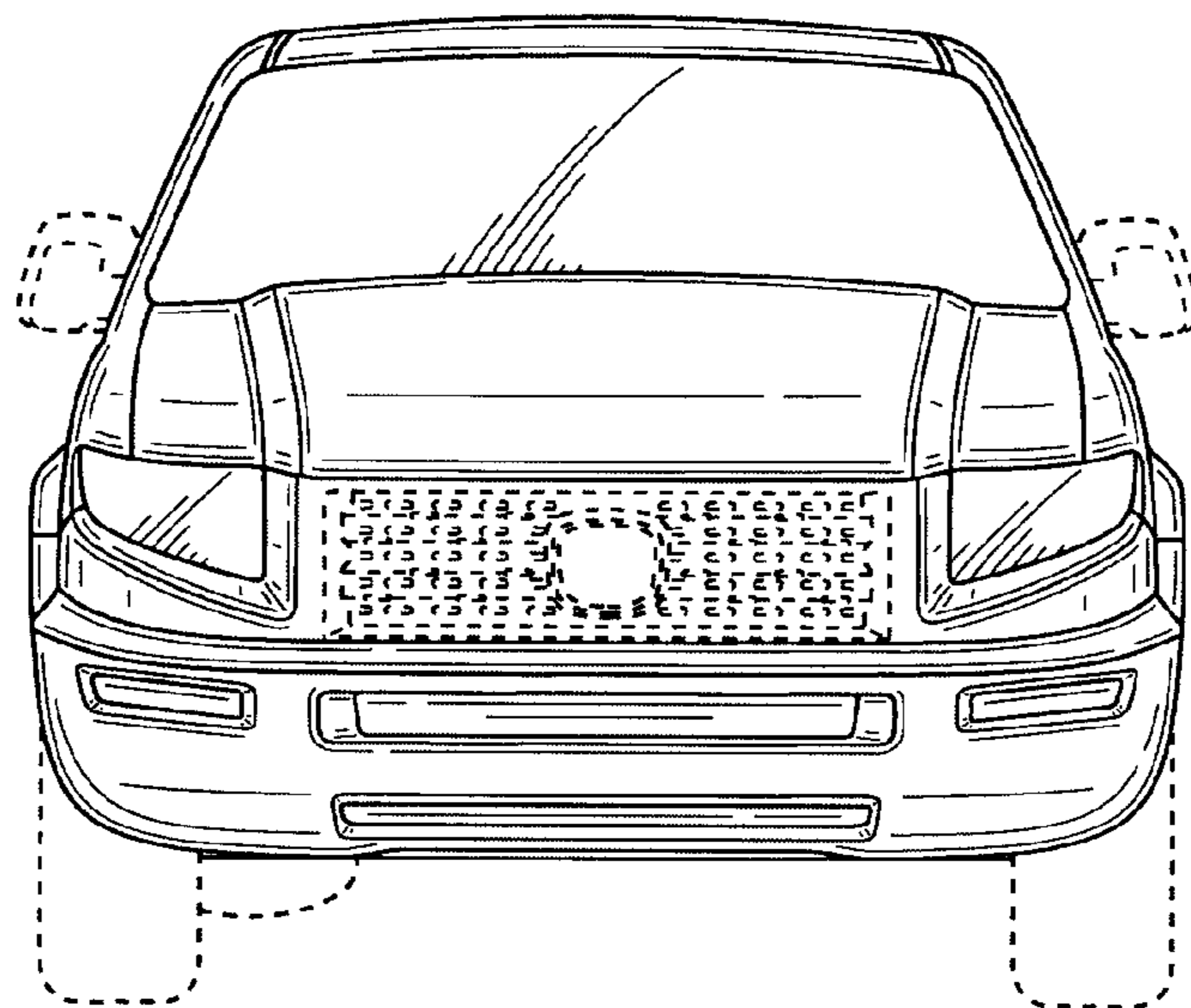


FIG. 2

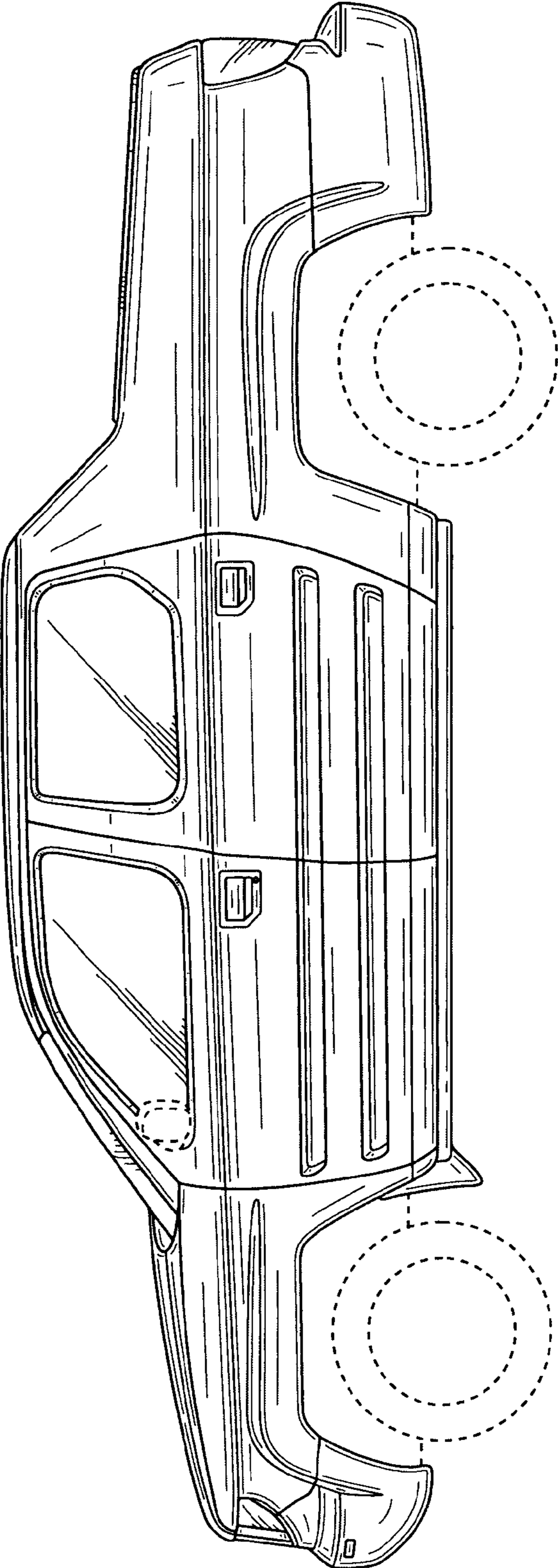


FIG. 3

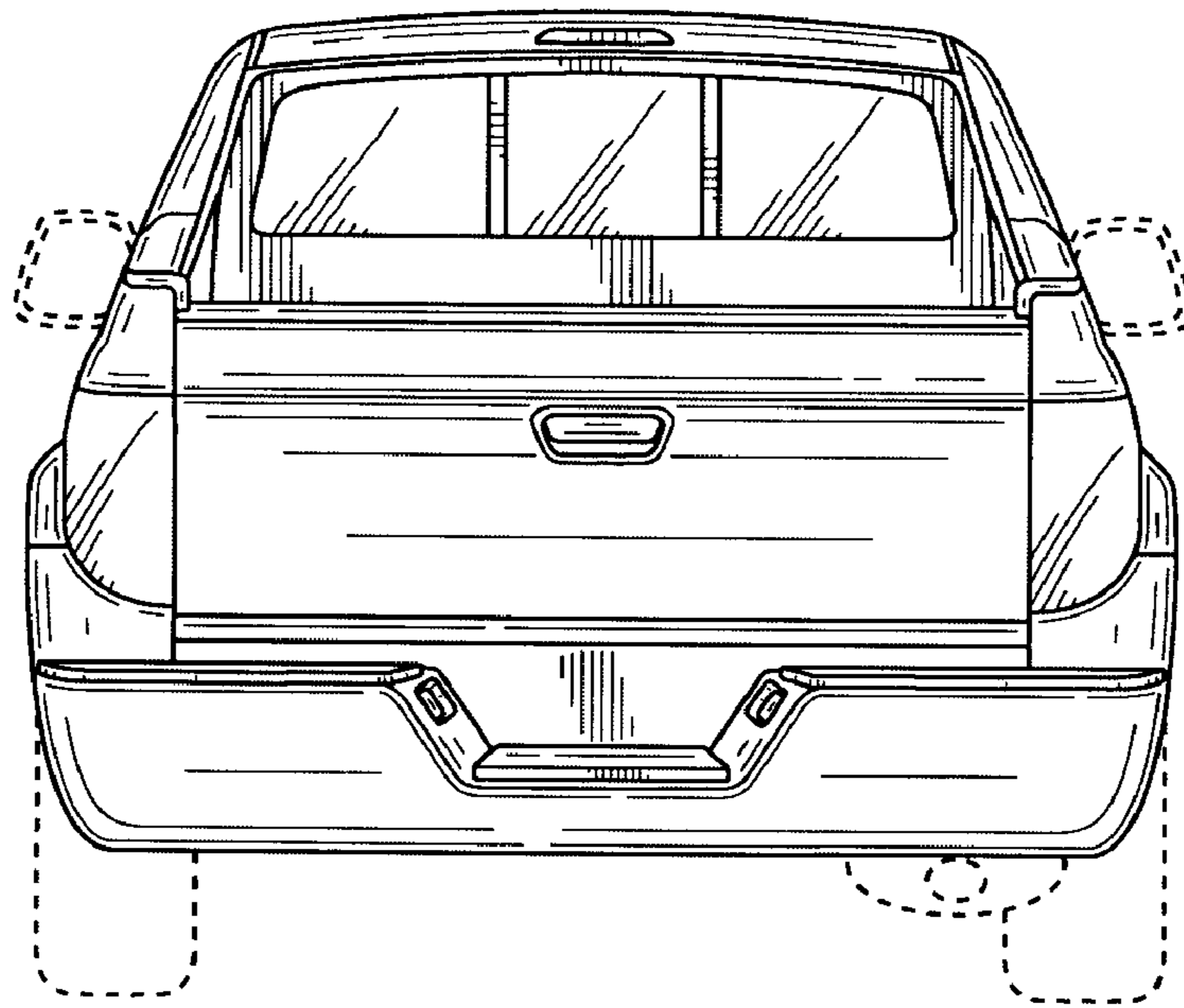


FIG. 4

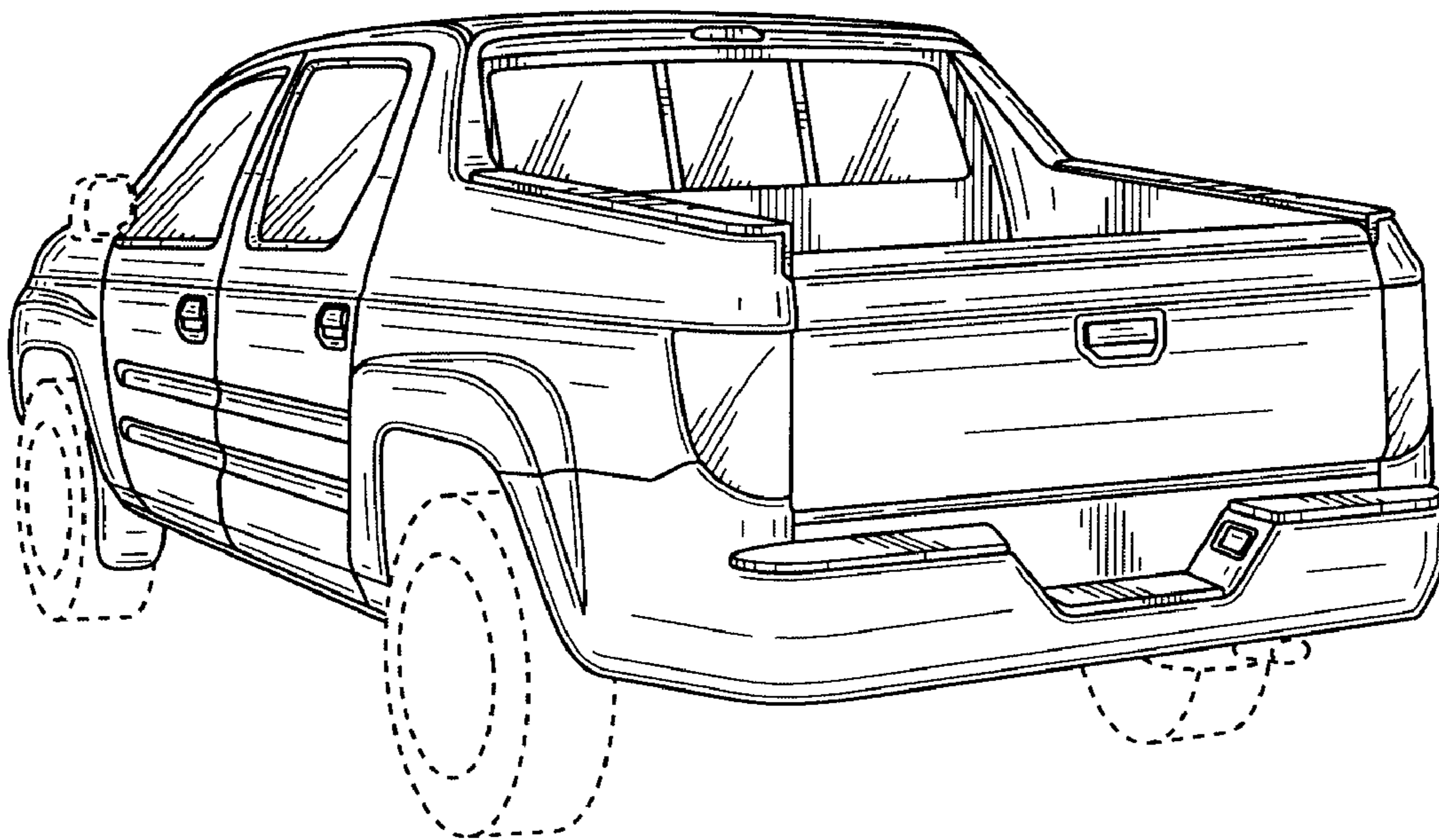


FIG. 5

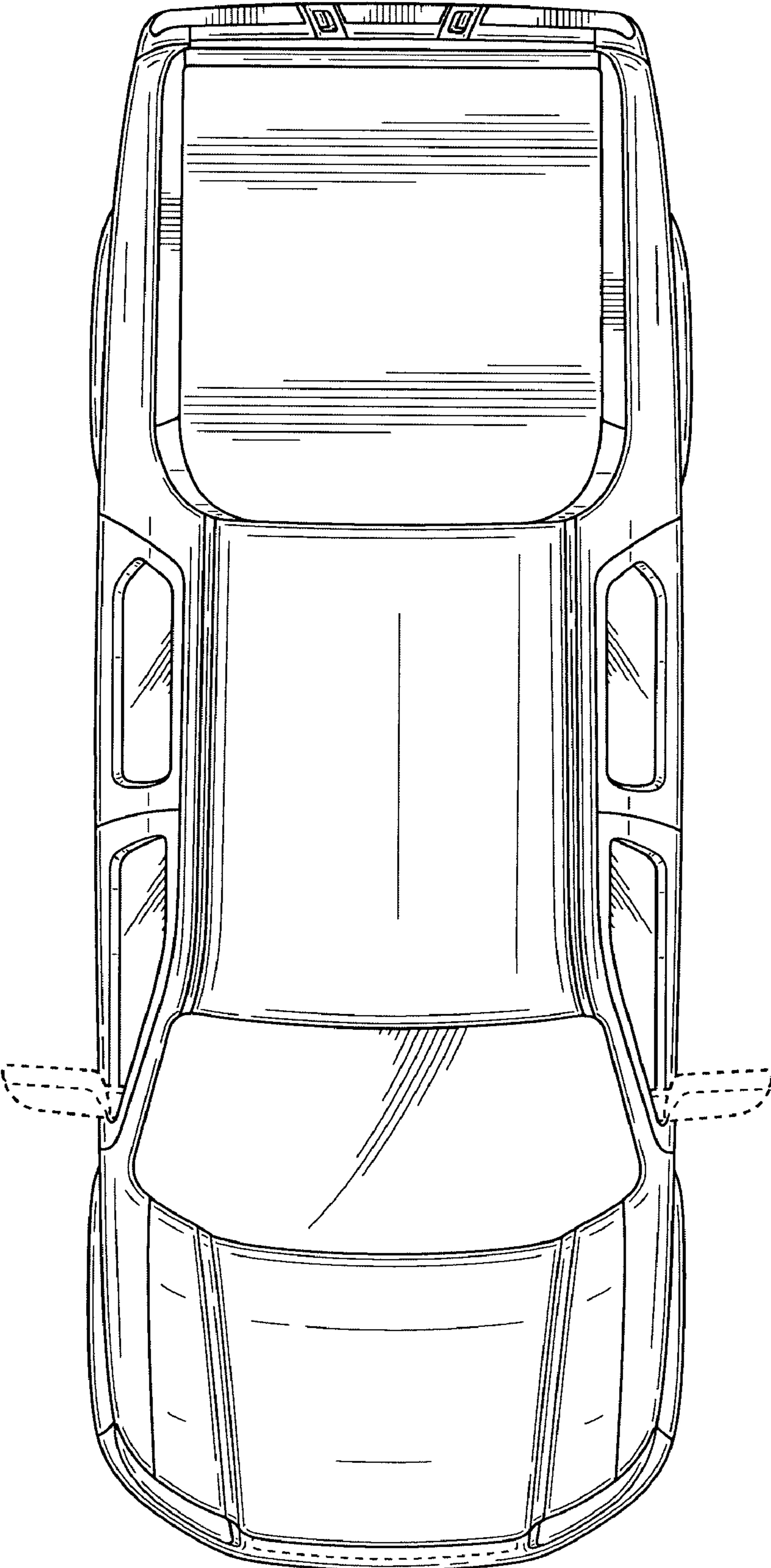


FIG. 6