

US00D508434S

(12) **United States Design Patent**
Chapman

(10) **Patent No.:** **US D508,434 S**

(45) **Date of Patent:** **** Aug. 16, 2005**

(54) **SURFACE CONFIGURATION OF A VEHICLE, TOY AND/OR OTHER REPLICAS**

(75) **Inventor:** **Christopher V. Chapman**, Simi Valley, CA (US)

(73) **Assignee:** **Bayerische Motoren Werke Aktiengesellschaft**, Munich (DE)

(**) **Term:** **14 Years**

(21) **Appl. No.:** **29/189,171**

(22) **Filed:** **Sep. 2, 2003**

(30) **Foreign Application Priority Data**

Mar. 3, 2003 (DE) 4 03 01 889

(51) **LOC (8) Cl.** **12-08**

(52) **U.S. Cl.** **D12/91**

(58) **Field of Search** D12/90-92, 86;
D21/424, 433; 296/185

(56) **References Cited**

U.S. PATENT DOCUMENTS

D392,220 S	*	3/1998	Haussmann	D12/91
D436,059 S	*	1/2001	Goplen	D12/91
D464,914 S	*	10/2002	Warkuss et al.	D12/91
D489,648 S	*	5/2004	Gale et al.	D12/92
D496,306 S	*	9/2004	Chapman	D12/92
D499,357 S	*	12/2004	Velazco	D12/91

FOREIGN PATENT DOCUMENTS

WO DM/061 794 11/2002

* cited by examiner

Primary Examiner—Melody N. Brown

(74) *Attorney, Agent, or Firm*—Crowell & Moring LLP

(57) **CLAIM**

The ornamental design for a surface configuration of a vehicle, toy and/or other replicas, as shown and described.

DESCRIPTION

This Application is related to the following co-pending applications, of the inventor, filed on even date here with: Application Ser. No. 29/189,173, entitled “Surface Configuration of a Rear Door for a Vehicle”; Application Ser. No. 29/189,174, entitled “Surface Configuration of a Front Bumper for a Vehicle”; and Application Ser. No. 29/189,175, entitled “Roof Antenna for a Vehicle”.

FIG. 1 is a front view of a surface configuration of a vehicle, toy and/or other replicas according to my novel design;

FIG. 2 is a left, front perspective view of the surface configuration of a vehicle, toy and/or other replicas according to my novel design, the right, front perspective view being mirror symmetrical;

FIG. 3 is a left side view of the surface configuration of a vehicle, toy and/or other replicas according to my novel design;

FIG. 4 is a right side view of the surface configuration of a vehicle, toy and/or other replicas according to my novel design;

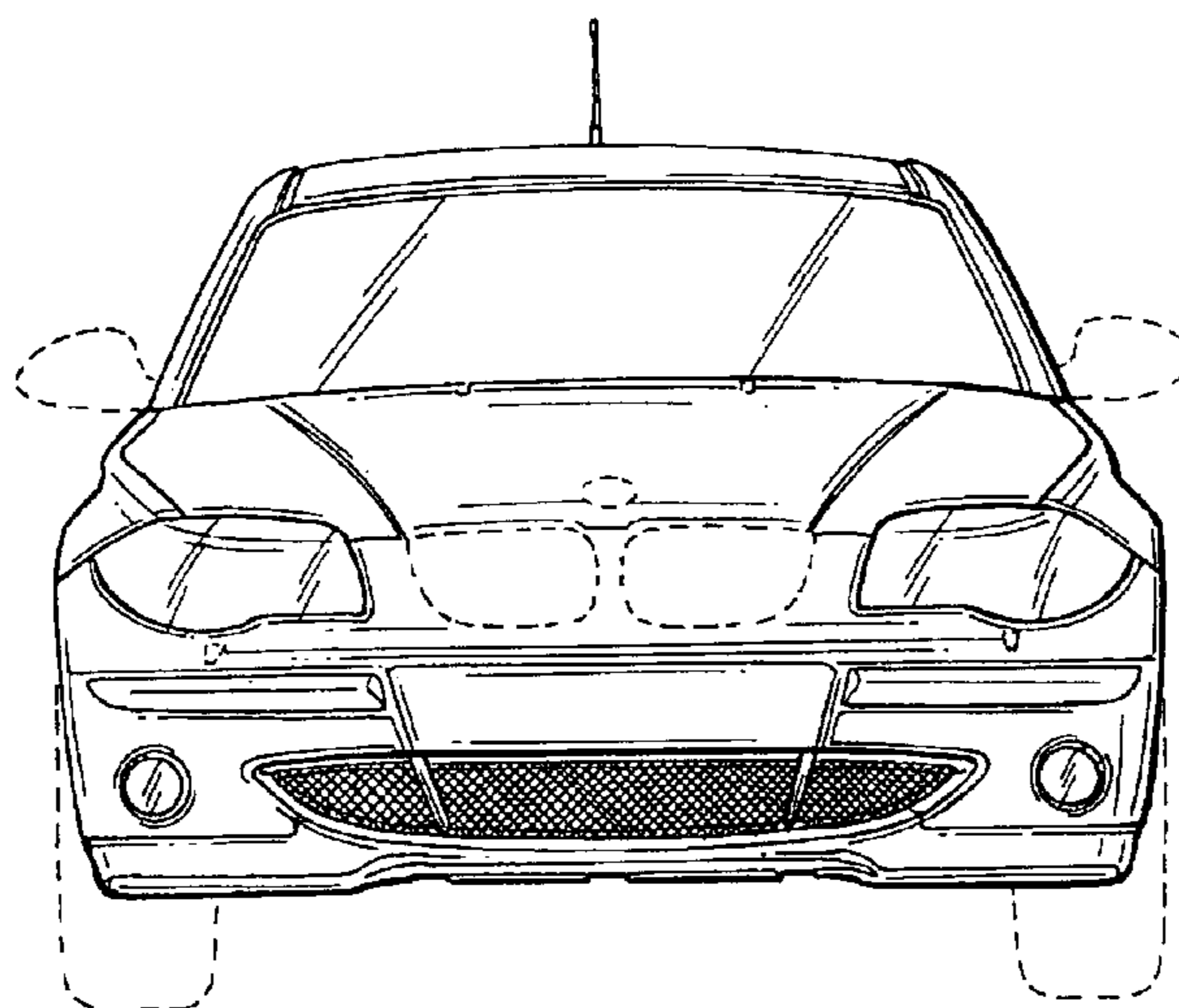
FIG. 5 is a rear view of the surface configuration of a vehicle, toy and/or other replicas according to my novel design;

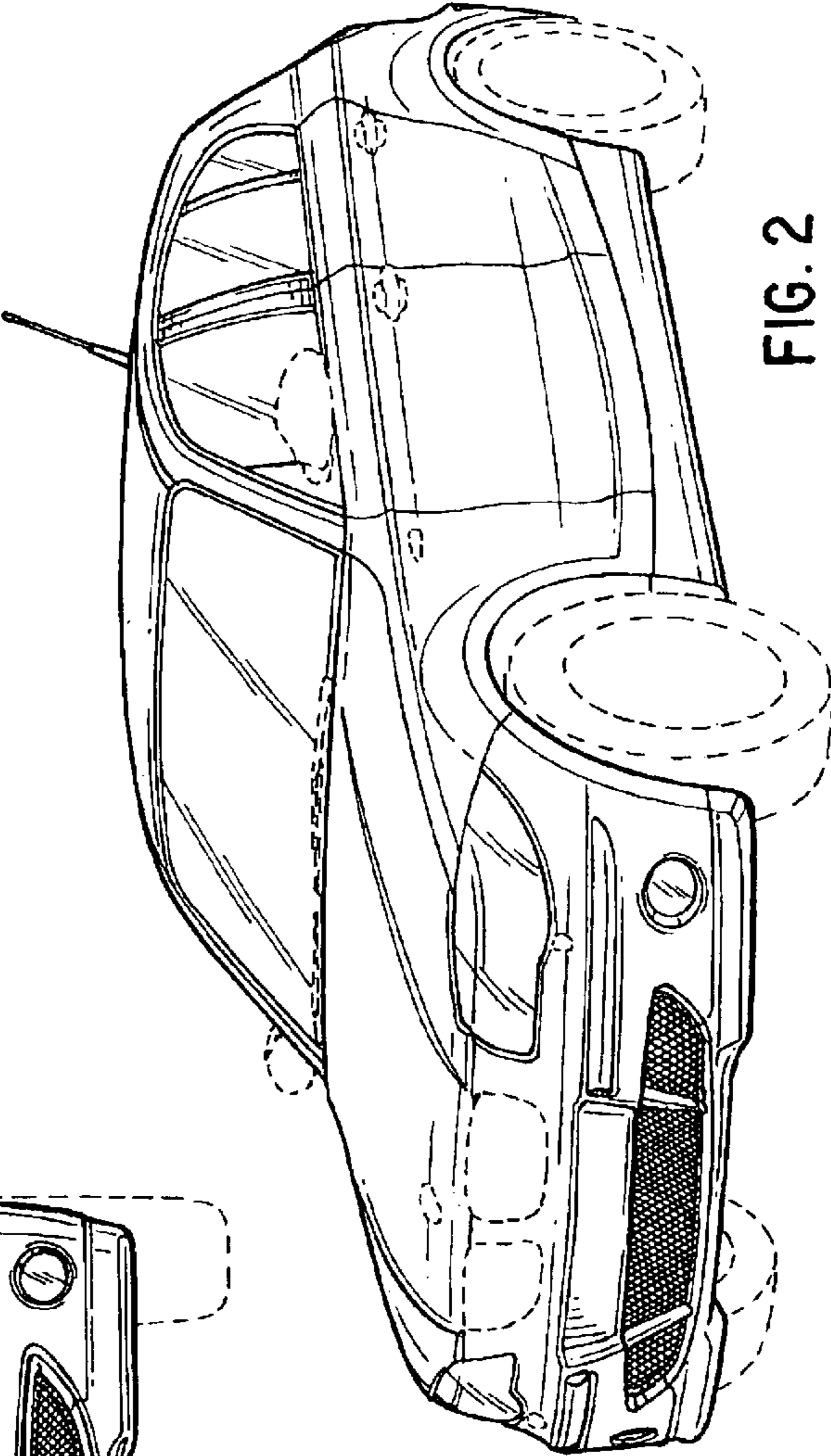
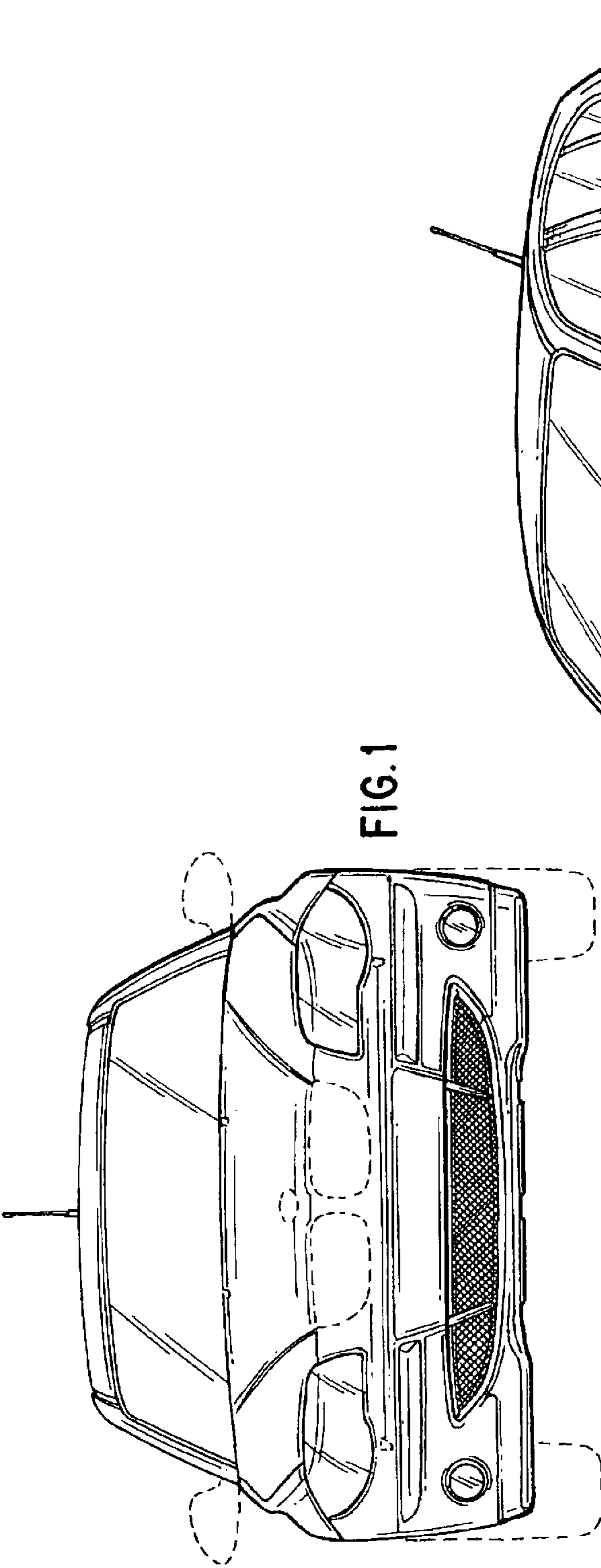
FIG. 6 is a left, rear perspective view of the surface configuration of a vehicle, toy and/or other replicas according to my novel design, the right, rear perspective view being mirror symmetrical; and,

FIG. 7 is a top view of the surface configuration of a vehicle, toy and/or other replicas according to my novel design.

The broken lines are for illustrative purposes only and form no part of the claimed design.

1 Claim, 6 Drawing Sheets





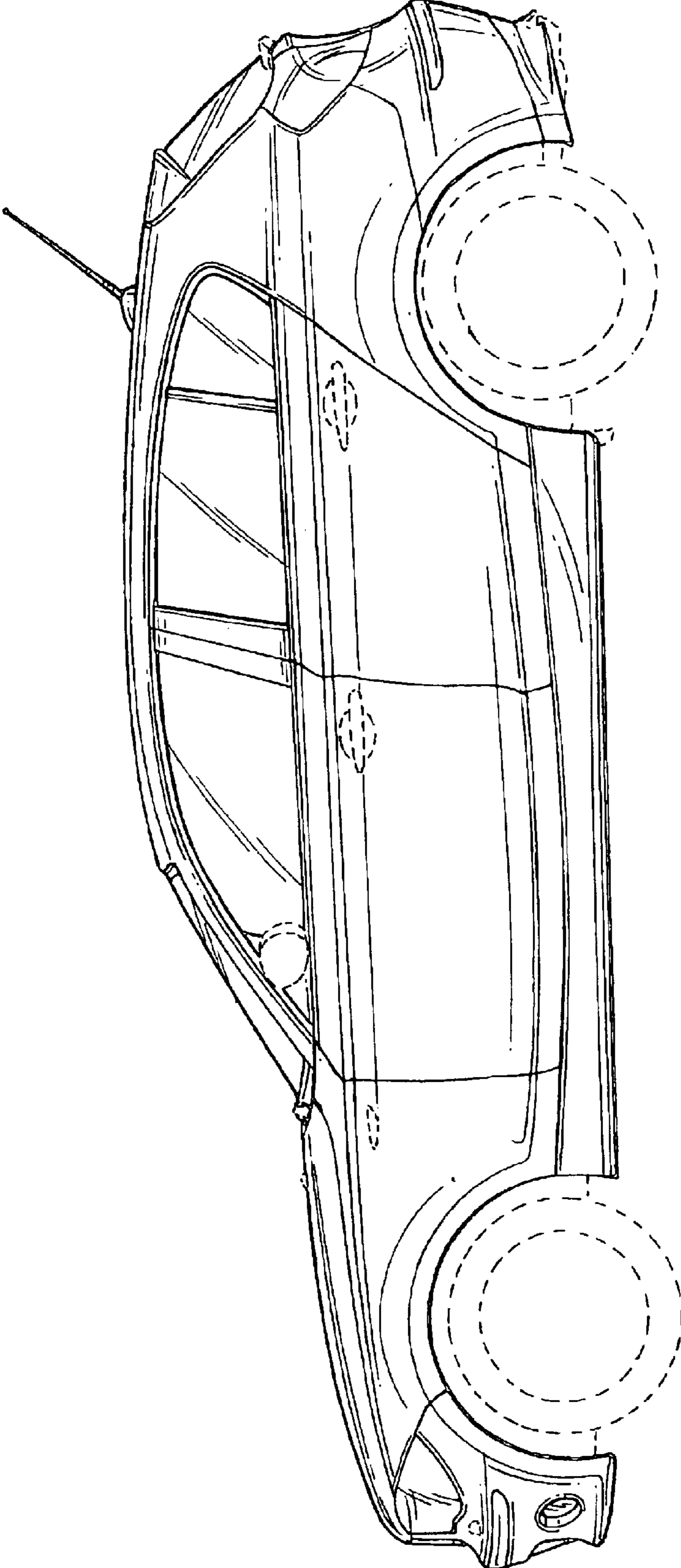


FIG. 3

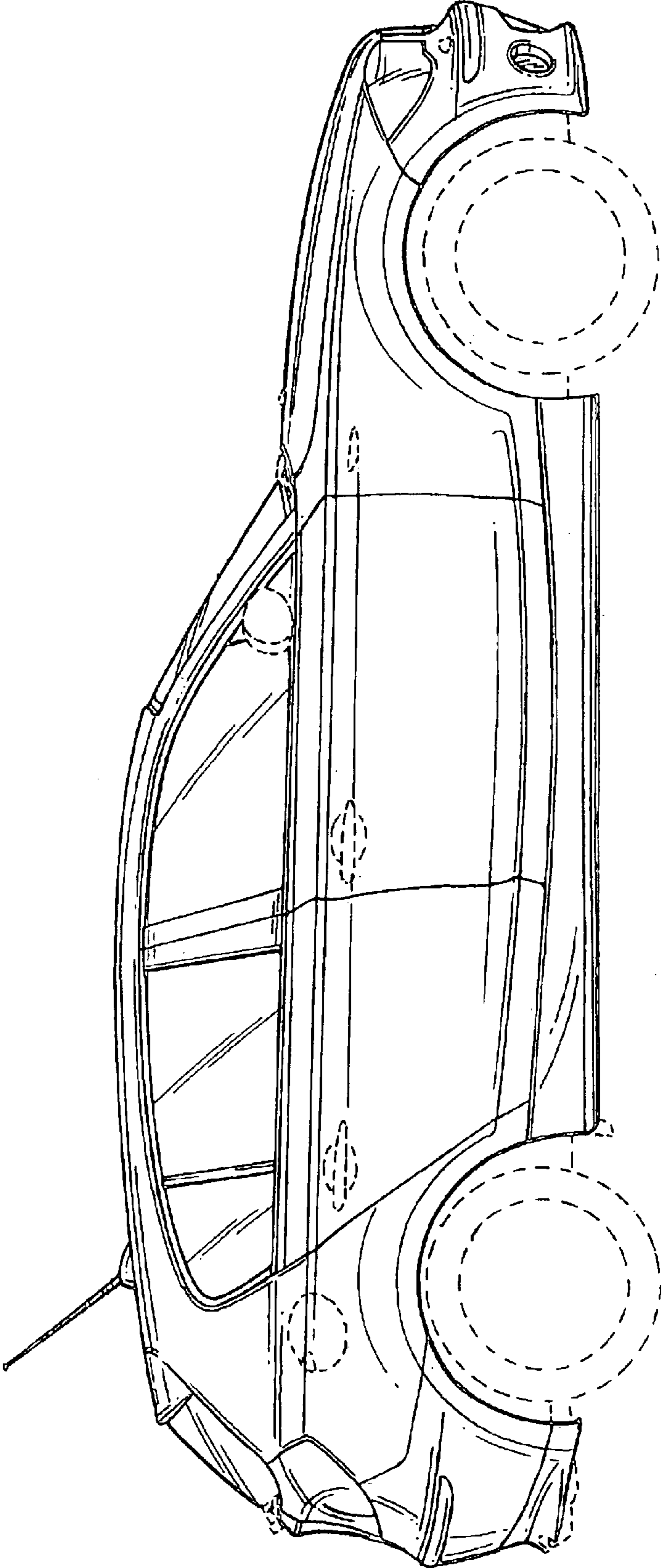


FIG. 4

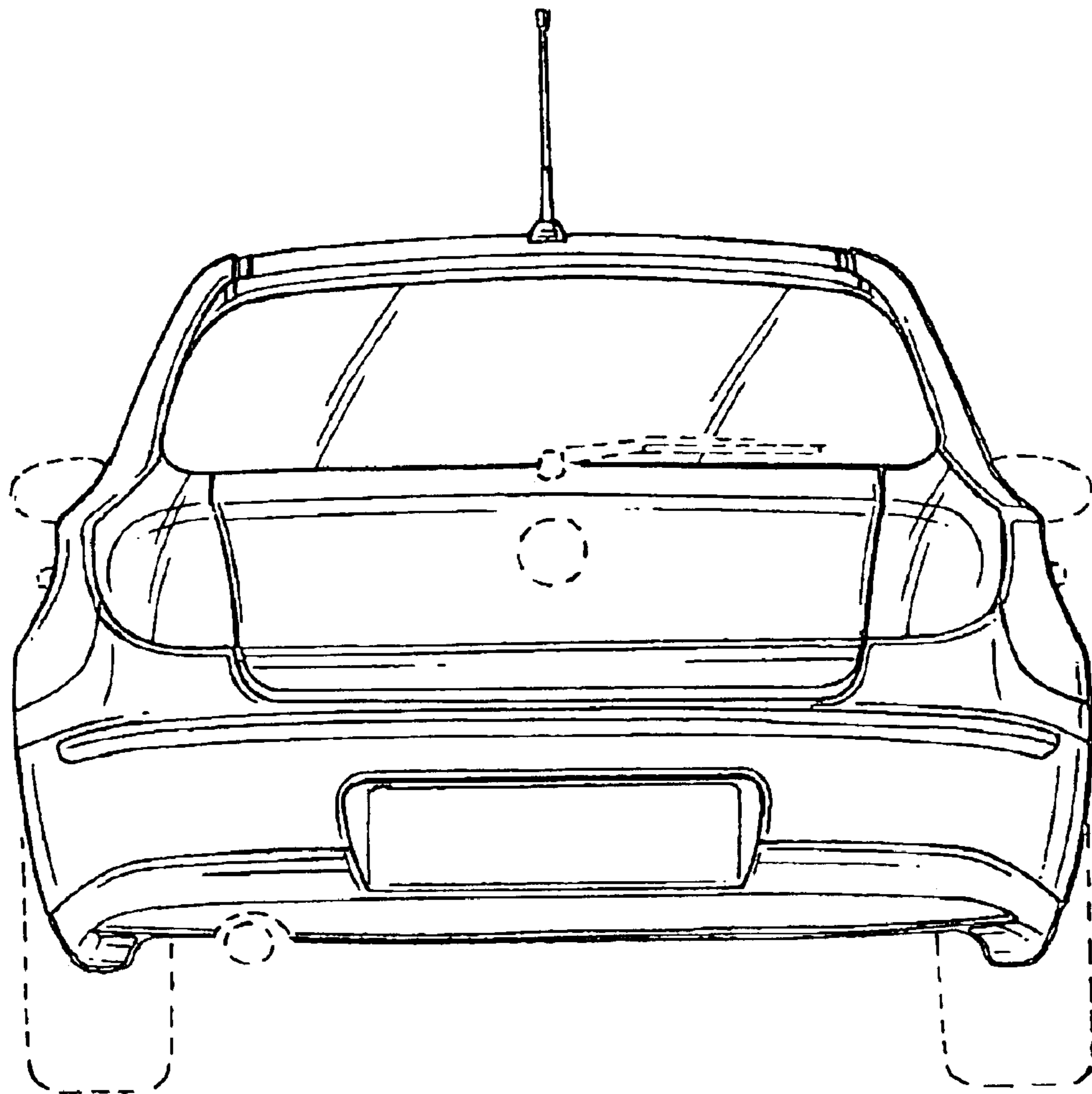


FIG. 5

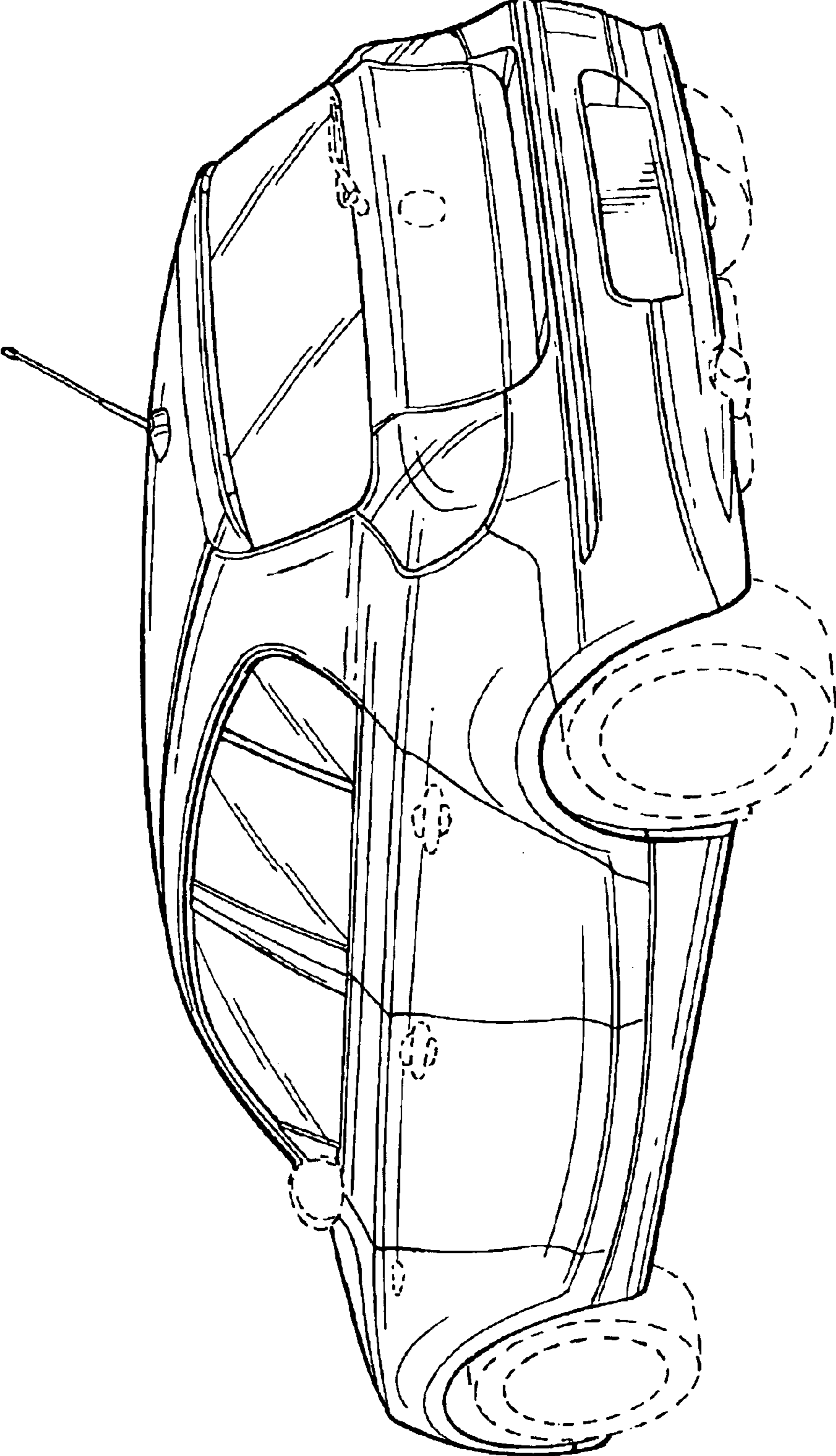


FIG. 6

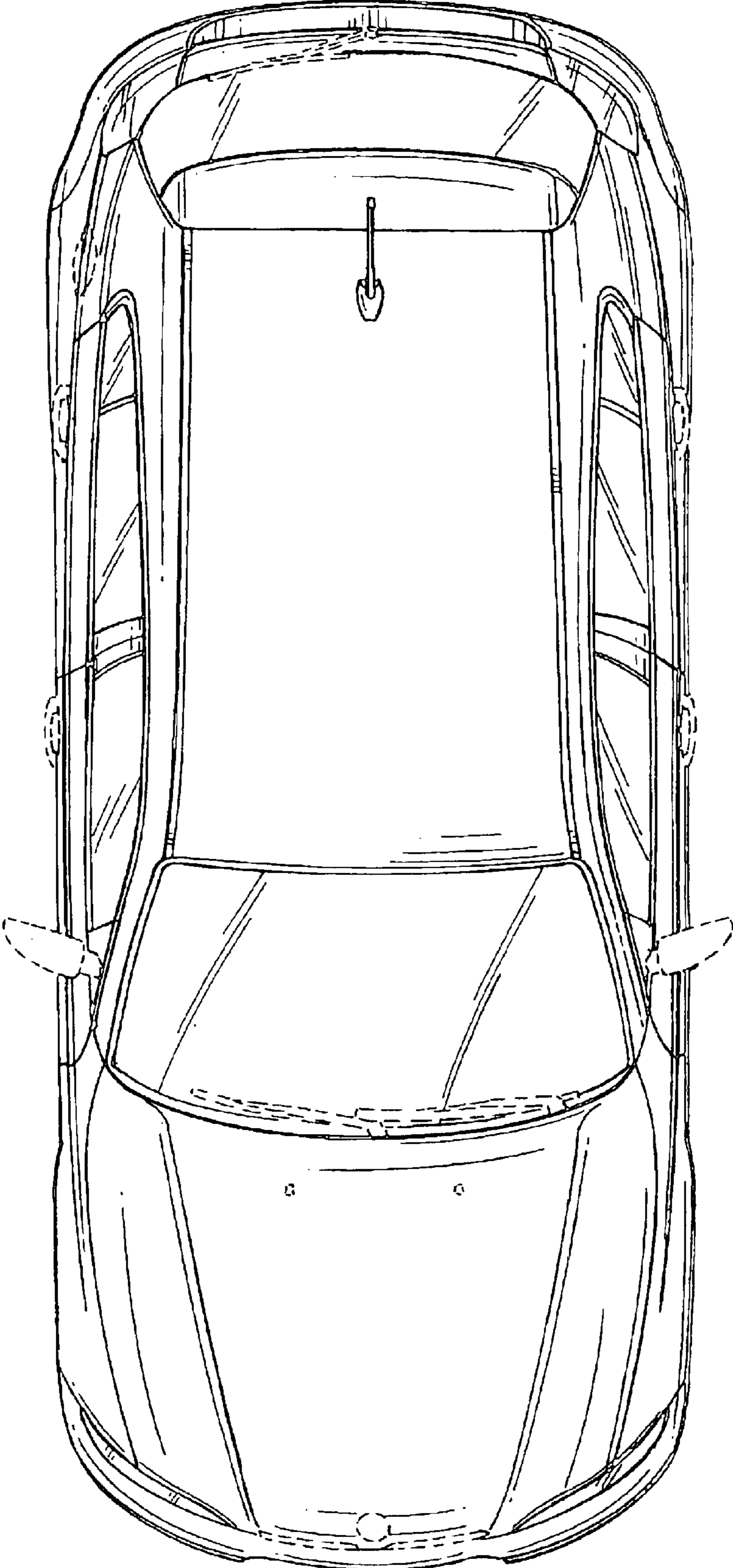


FIG. 7