

US00D508433S

(12) **United States Design Patent**
LeBlanc, Sr. et al.

(10) **Patent No.: US D508,433 S**
(45) **Date of Patent: ** Aug. 16, 2005**

(54) **VEHICLE**

(75) Inventors: **James C. LeBlanc, Sr.**, Rochester, MI (US); **James C. LeBlanc, Jr.**, Washington, MI (US)

(73) Assignee: **J.C.L. Technology LLC**, Rochester, MI (US)

(**) Term: **14 Years**

(21) Appl. No.: **29/220,565**

(22) Filed: **Jan. 4, 2005**

Related U.S. Application Data

(62) Division of application No. 29/191,138, filed on Oct. 3, 2003.

(51) **LOC (8) Cl.** **12-13**

(52) **U.S. Cl.** **D12/12**

(58) **Field of Search** D12/12; 89/36.13, 89/40.03, 36.03, 36.08, 36.09

(56) **References Cited**

U.S. PATENT DOCUMENTS

2,299,006 A * 10/1942 Brown 180/24.11

2,871,763 A * 2/1959 Blomquist 89/36.08
D203,257 S * 12/1965 Fox D12/3
3,299,978 A * 1/1967 Sponsler 180/9.52
3,414,072 A * 12/1968 Hodges, Jr. et al. 180/24
D308,187 S * 5/1990 Ottevaere et al. D12/12

* cited by examiner

Primary Examiner—Nelson C. Holtje

(74) *Attorney, Agent, or Firm*—Stevens, Davis, Miller & Mosher, LLP

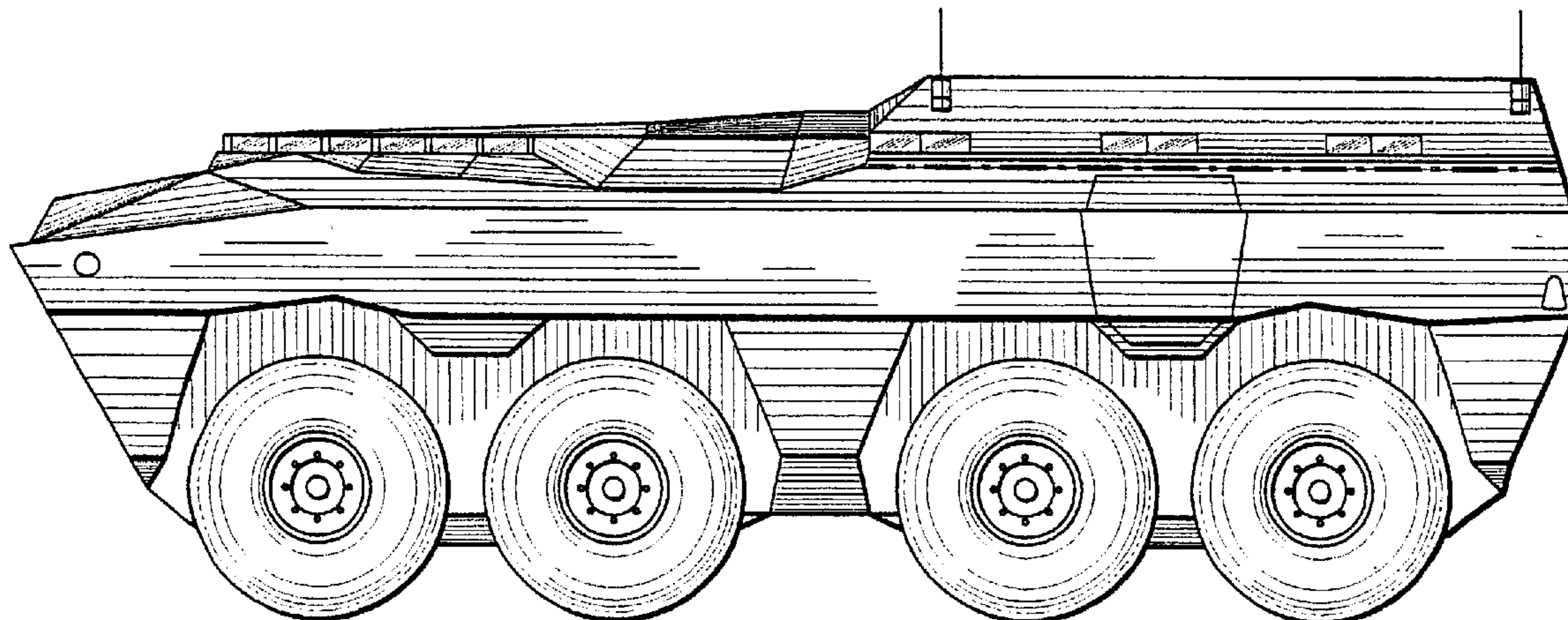
(57) **CLAIM**

The ornamental design for a vehicle, as shown and described.

DESCRIPTION

FIG. 1 is a side view of an embodiment of the vehicle;
FIG. 2 is a top view of the vehicle illustrated in FIG. 1;
FIG. 3 is an opposite side view of the vehicle illustrated in FIG. 1;
FIG. 4 is a front view of the vehicle illustrated in FIG. 1; and,
FIG. 5 is a rear view of the vehicle illustrated in FIG. 1.

1 Claim, 2 Drawing Sheets



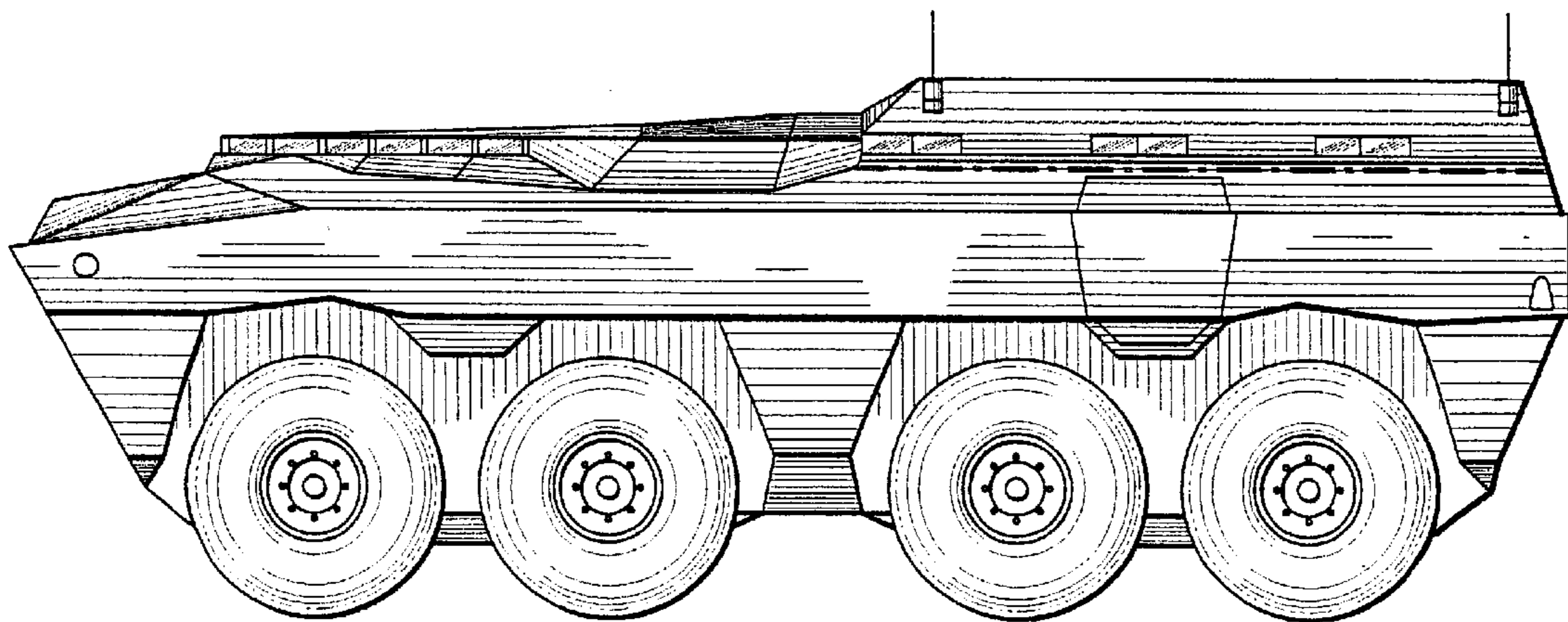


FIG. 1

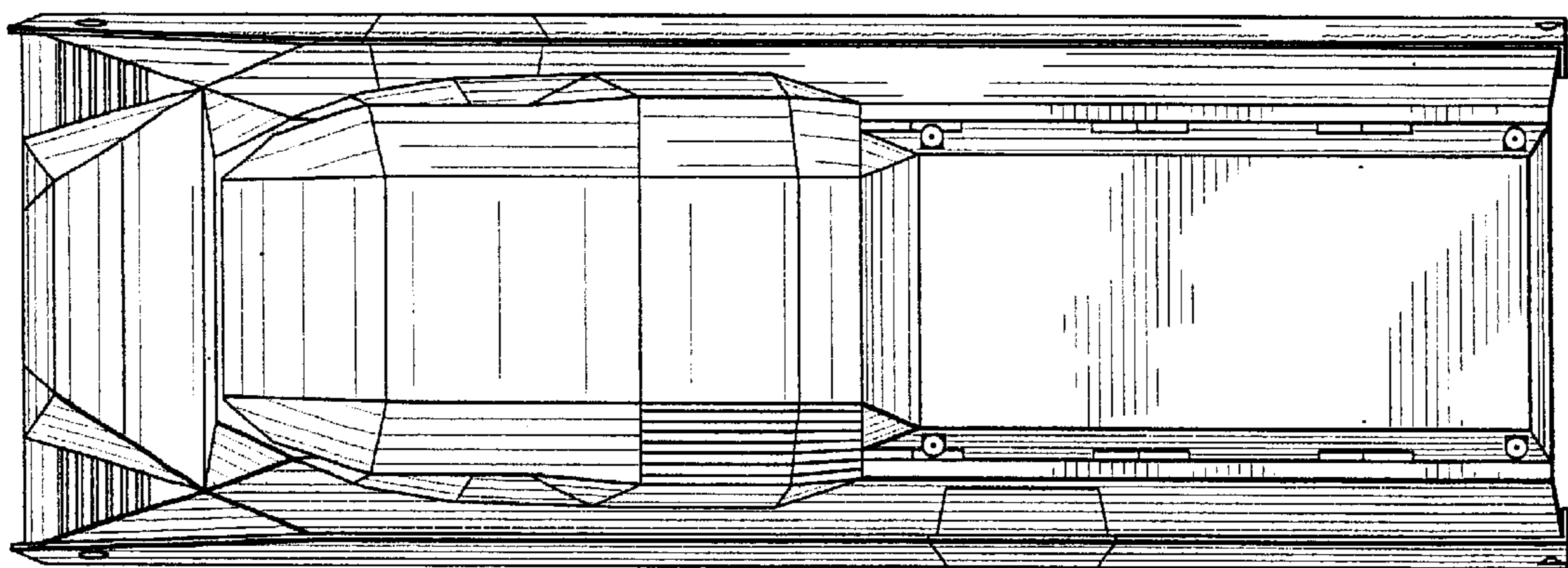


FIG. 2

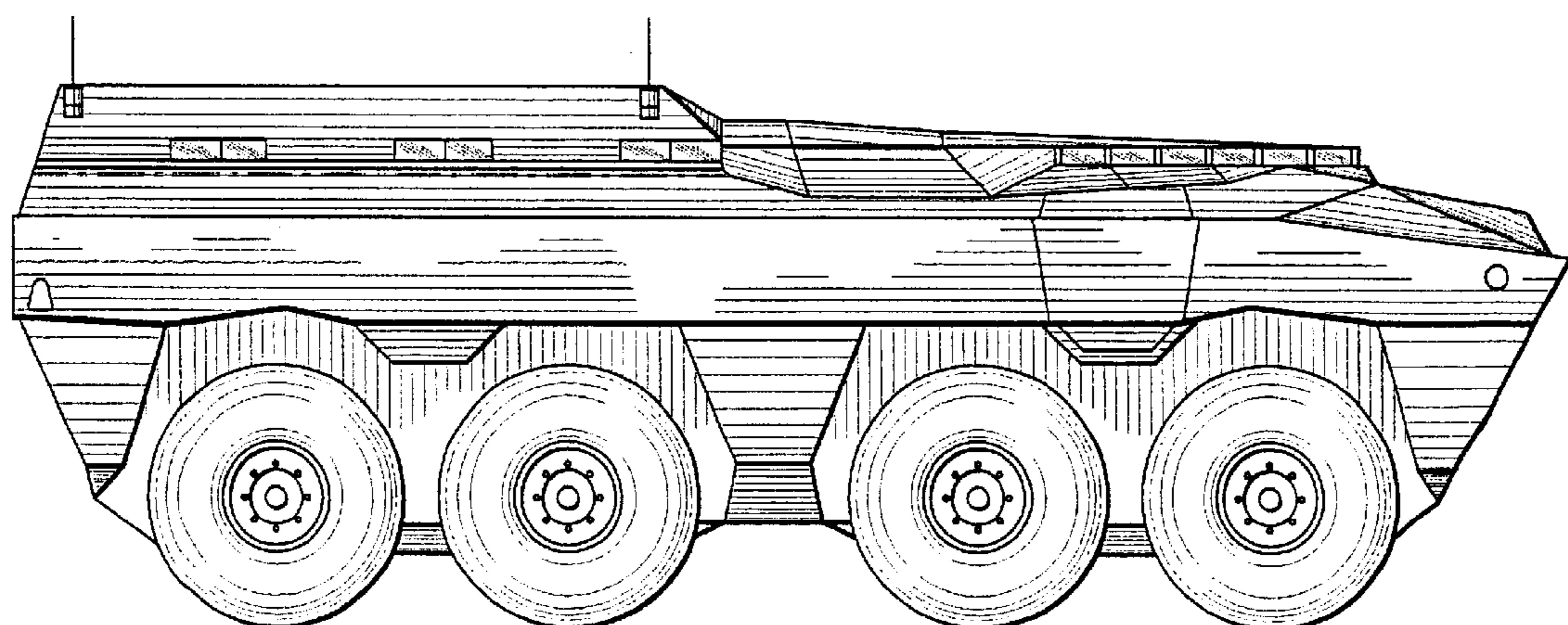


FIG. 3

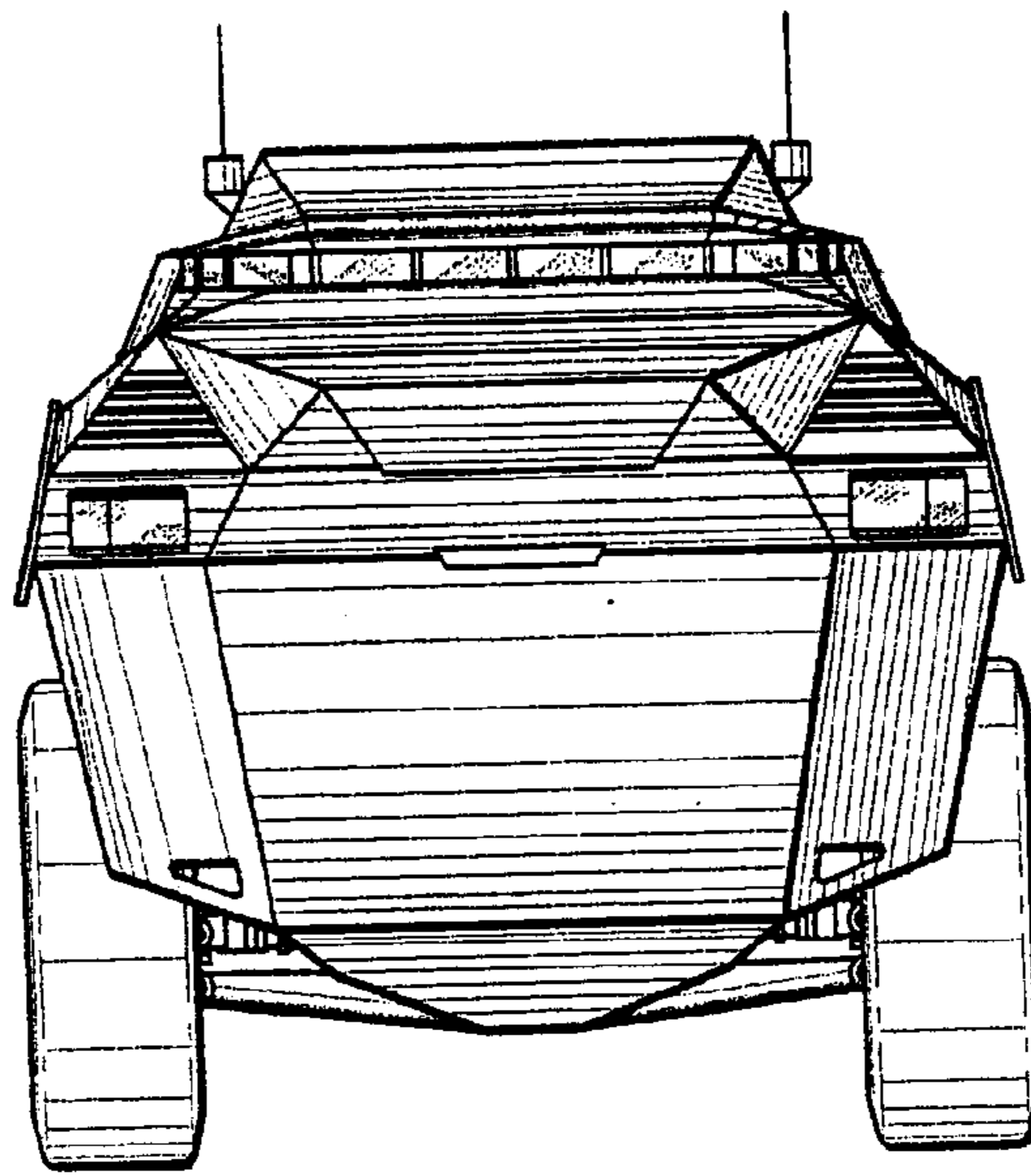


FIG. 4

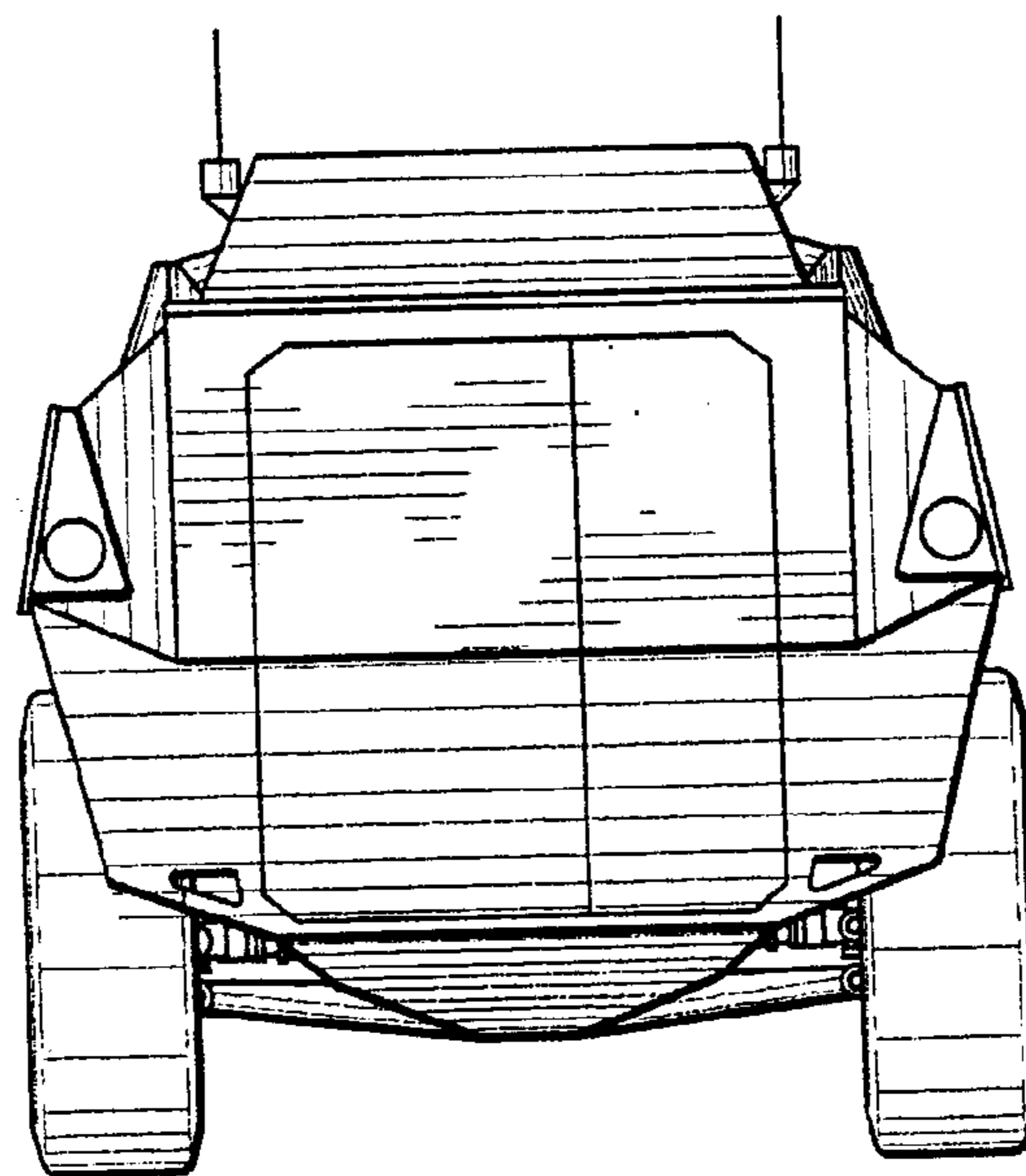


FIG. 5