

US00D508432S

(12) **United States Design Patent**
Cogoli et al.

(10) **Patent No.: US D508,432 S**

(45) **Date of Patent: ** Aug. 16, 2005**

(54) **CUFFLINK**

D173,873 S * 1/1955 Levine D11/222
D415,068 S * 10/1999 Calvani D11/222

(75) Inventors: **Phillipe Guy Cogoli**, Devey Close
(GB); **Giampiero Bodino**, Milan (IT)

* cited by examiner

(73) Assignee: **Alfred Dunhill Limited**, London (GB)

Primary Examiner—Catherine R. Oliver
(74) *Attorney, Agent, or Firm*—Hoffman, Wasson & Gitler

(**) Term: **14 Years**

(57) **CLAIM**

(21) Appl. No.: **29/207,542**

The ornamental design for a cufflink, as shown and described.

(22) Filed: **Jun. 16, 2004**

(30) **Foreign Application Priority Data**

DESCRIPTION

Dec. 23, 2003 (GB) 3015678

FIG. 1 is a perspective view of applicants' unique cufflink;
FIG. 2 is a top plan view of the cufflink of FIG. 1;
FIG. 3 is a bottom plan view of the cufflink of FIG. 1;
FIG. 4 is a side view of applicants' unique cufflink;
FIG. 5 is an opposite side view of the cufflink of FIG. 4;
FIG. 6 is a top view of the cufflink; and,
FIG. 7 is a bottom view of the cufflink.

(51) **LOC (8) Cl.** **02-07**

(52) **U.S. Cl.** **D11/222**

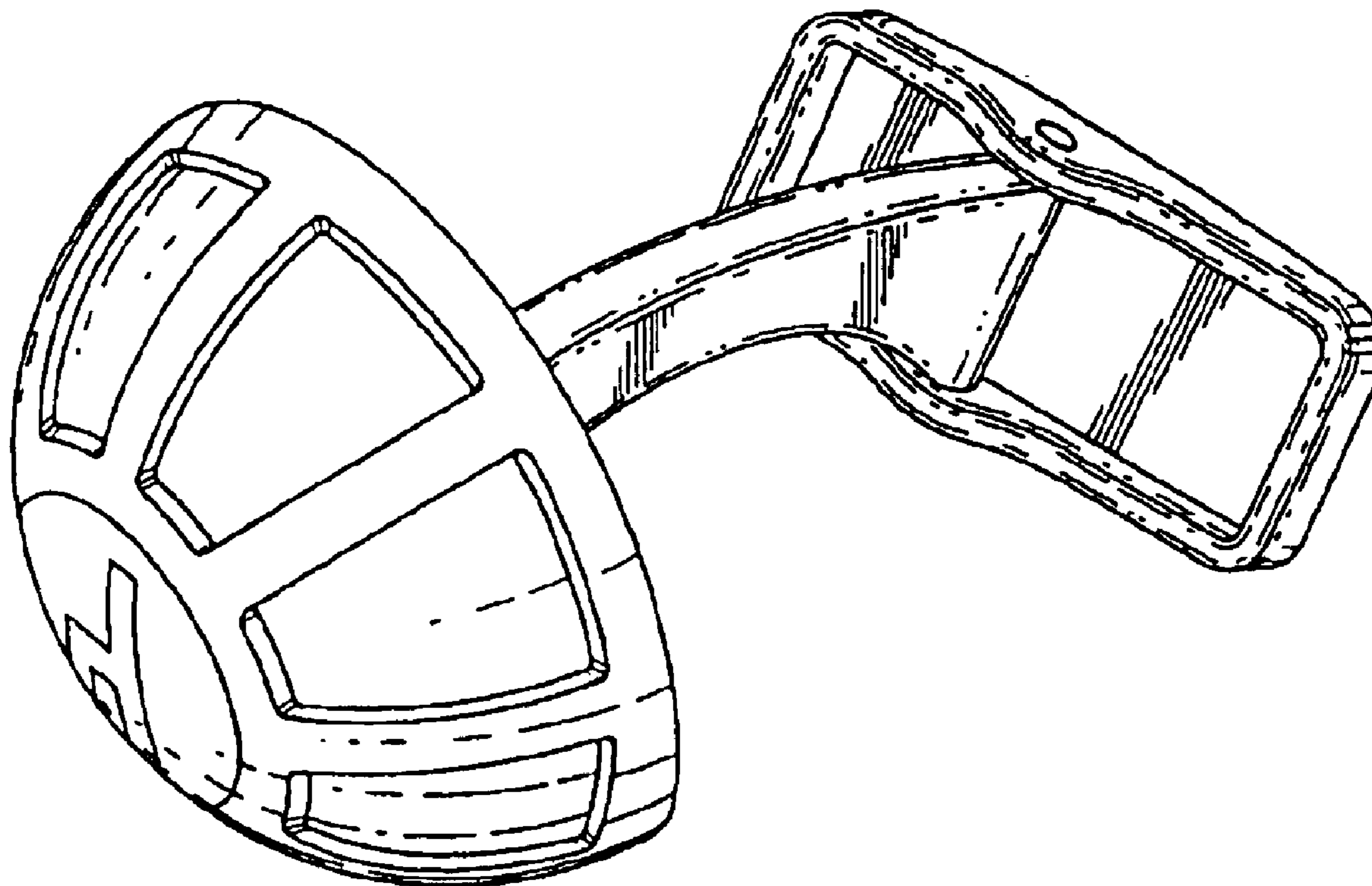
(58) **Field of Search** D11/222, 200,
D11/213-216, 226-228; 24/41-47

(56) **References Cited**

U.S. PATENT DOCUMENTS

1 Claim, 2 Drawing Sheets

D106,499 S * 10/1937 Broder D11/222



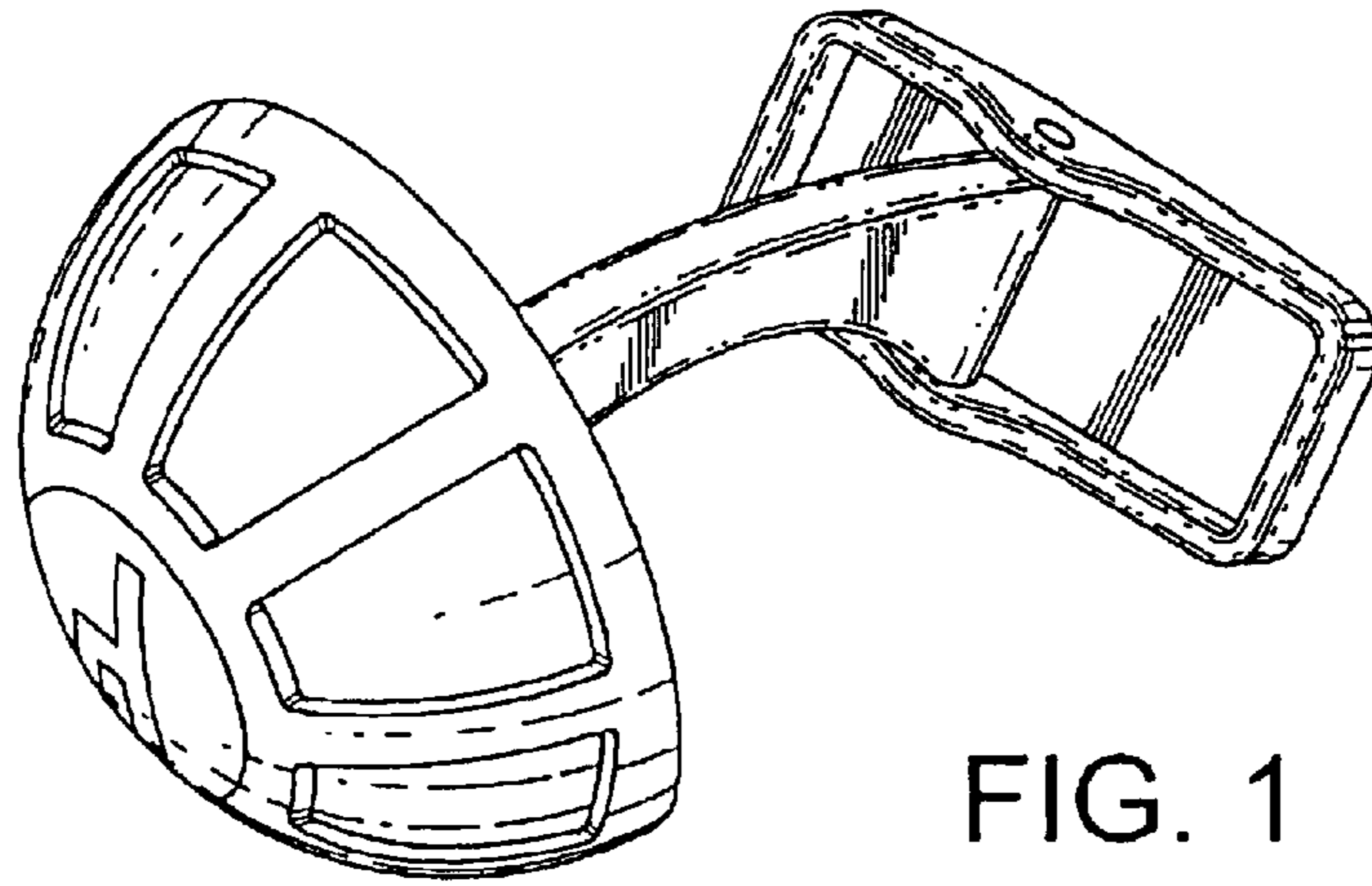


FIG. 1

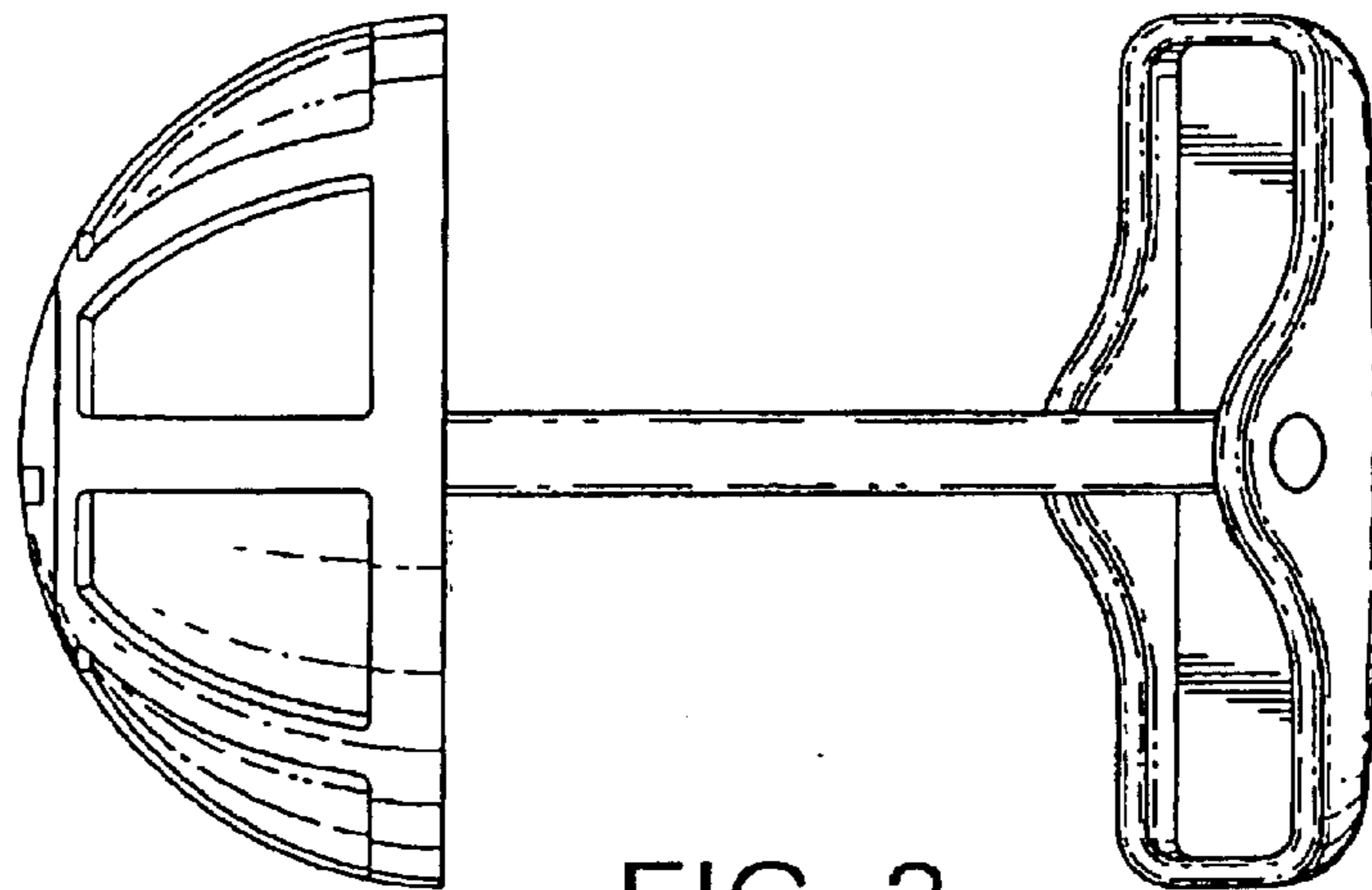


FIG. 2

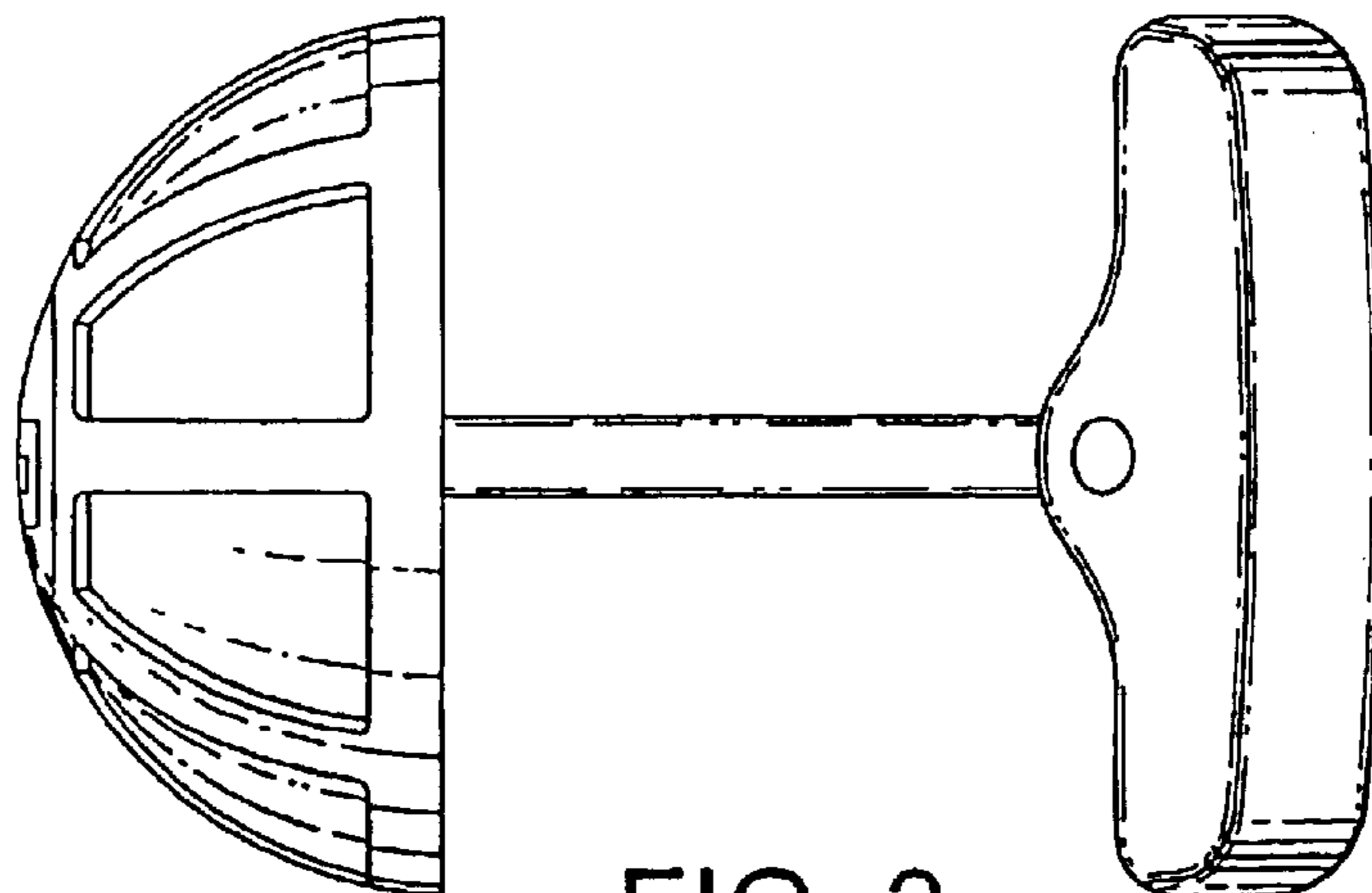


FIG. 3

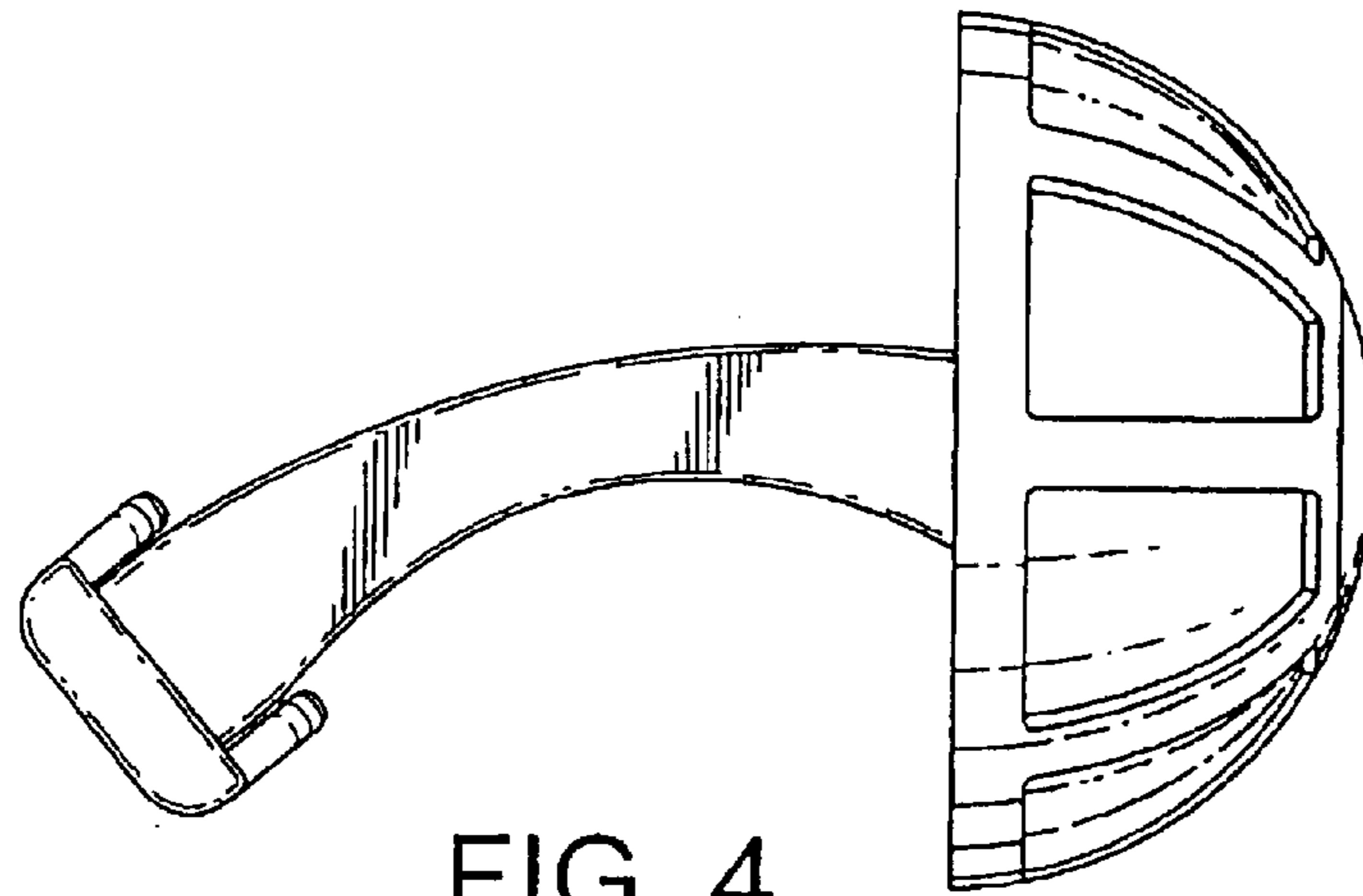


FIG. 4

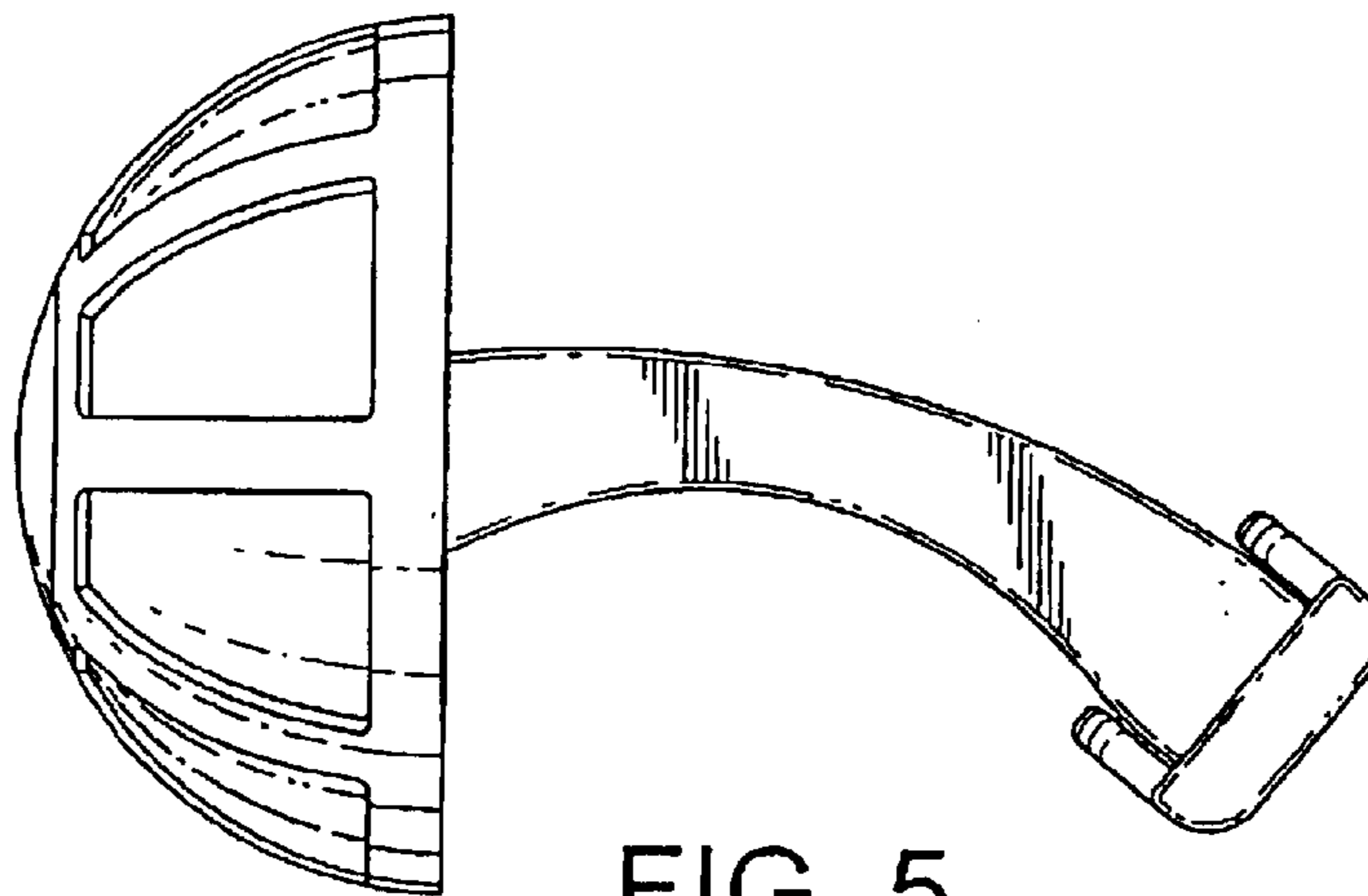


FIG. 5

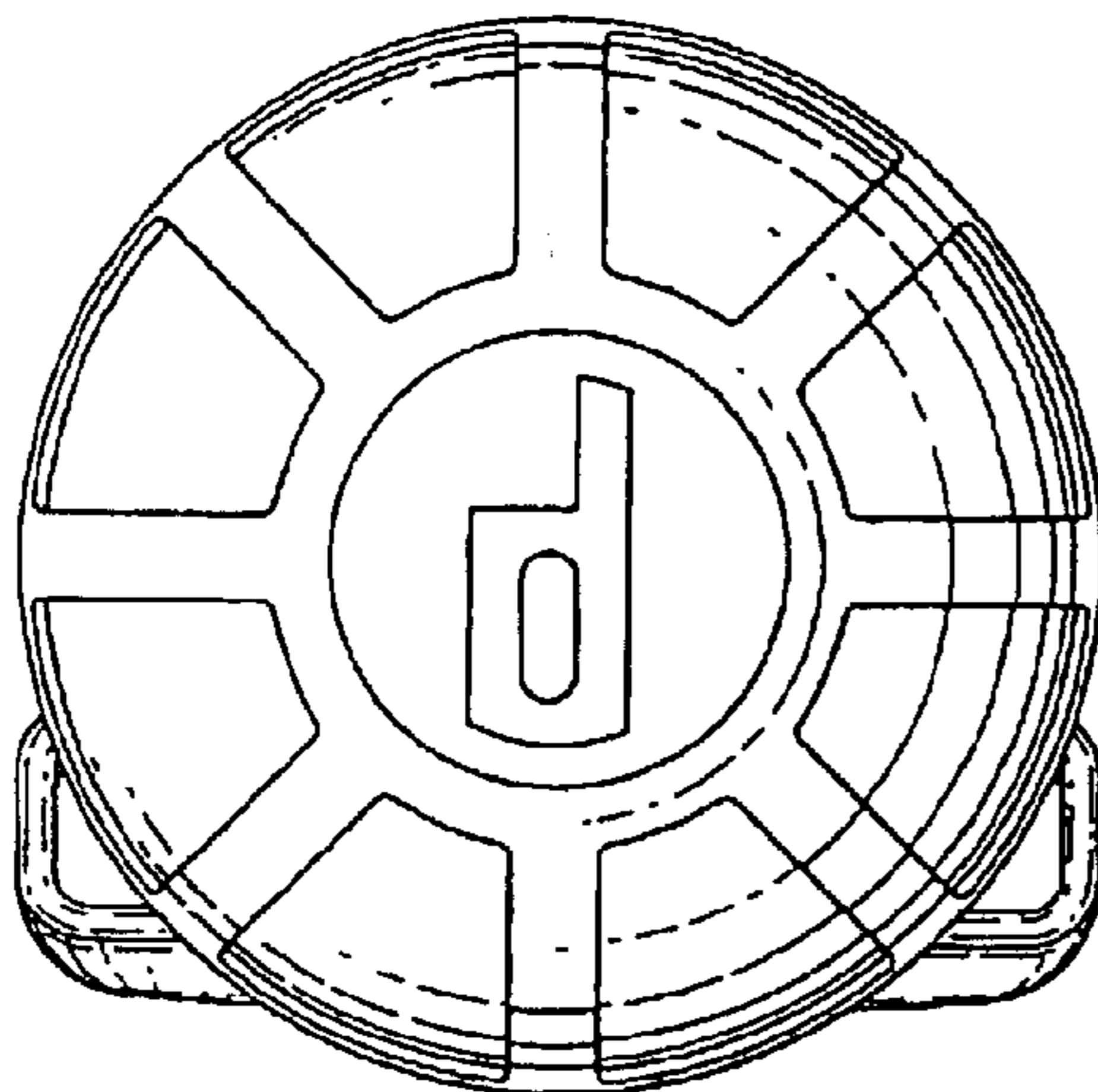


FIG. 6

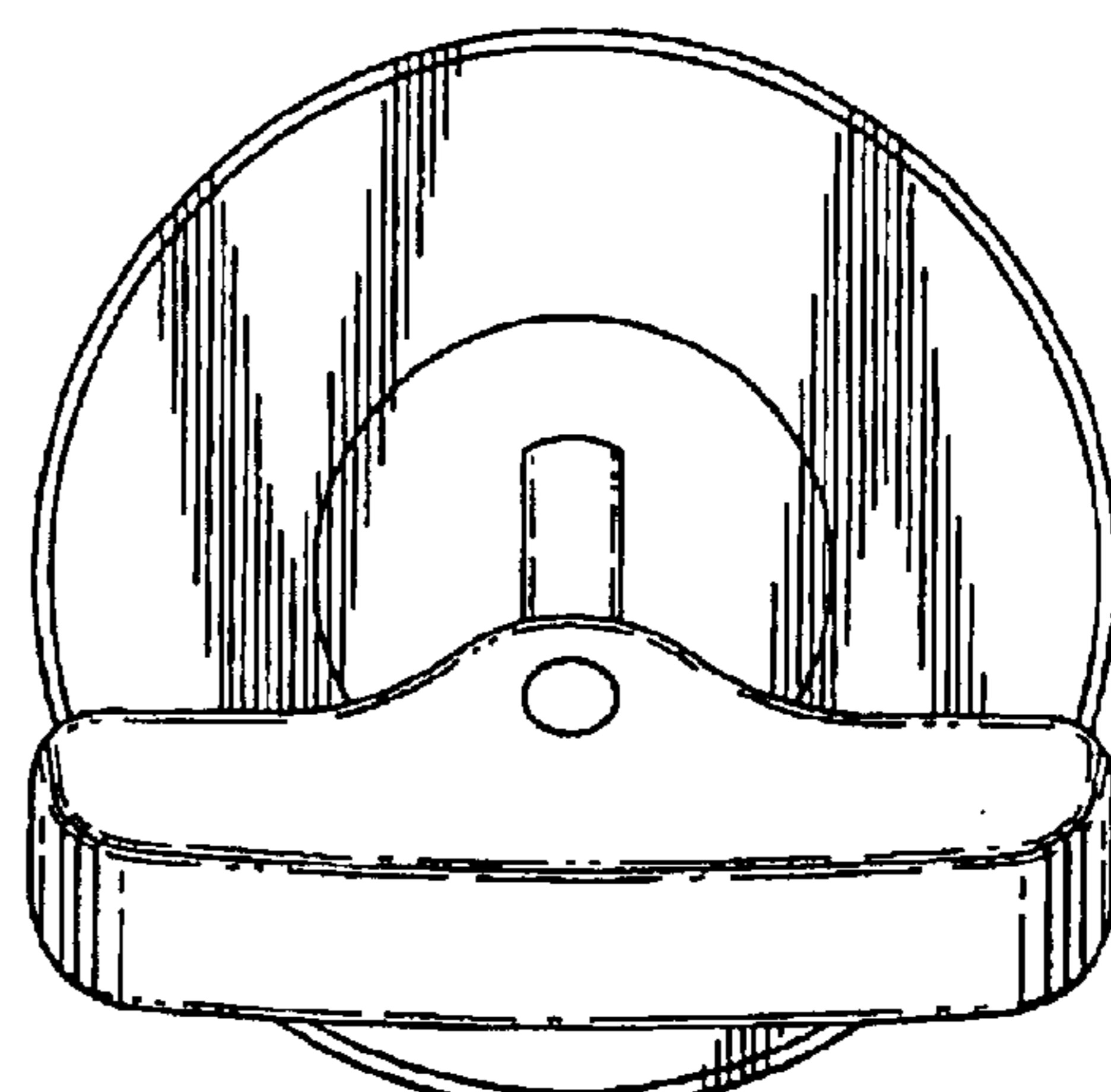


FIG. 7