



US00D508426S

(12) **United States Design Patent** (10) **Patent No.:** **US D508,426 S**
Wrisley (45) **Date of Patent:** **** Aug. 16, 2005**

(54) **HOUSING FOR TEST AND MEASUREMENT INSTRUMENTS**

(75) Inventor: **Jerry L. Wrisley**, Beaverton, OR (US)

(73) Assignee: **Tektronix, Inc.**, Beaverton, OR (US)

(**) Term: **14 Years**

(21) Appl. No.: **29/204,637**

(22) Filed: **Apr. 30, 2004**

(51) **LOC (8) Cl.** **10-04**

(52) **U.S. Cl.** **D10/76**

(58) **Field of Search** D10/75, 76, 80;
324/102, 112, 121 R; 340/734, 747, 798,
487

(56) **References Cited**

U.S. PATENT DOCUMENTS

D413,823 S	*	9/1999	Dobyns et al.	D10/76
D420,607 S		2/2000	Wrisley et al.		
D460,371 S	*	7/2002	Wrisley et al.	D10/78
D460,703 S	*	7/2002	Wrisley et al.	D10/78
6,437,552 B1	*	8/2002	Sekel et al.	324/72.5
D472,171 S	*	3/2003	Wrisley et al.	D10/76
6,731,104 B1	*	5/2004	Yang	324/110

* cited by examiner

Primary Examiner—Antoine D. Davis
(74) *Attorney, Agent, or Firm*—William K. Bucher

(57) **CLAIM**

The ornamental design of a housing for test and measurement instruments, as shown and described.

DESCRIPTION

FIG. 1 is a perspective view of a housing for test and measurement instruments;

FIG. 2 is a front elevation view of the housing for test and measurement instruments;

FIG. 3 is a left side elevation view of the housing for test and measurement instruments;

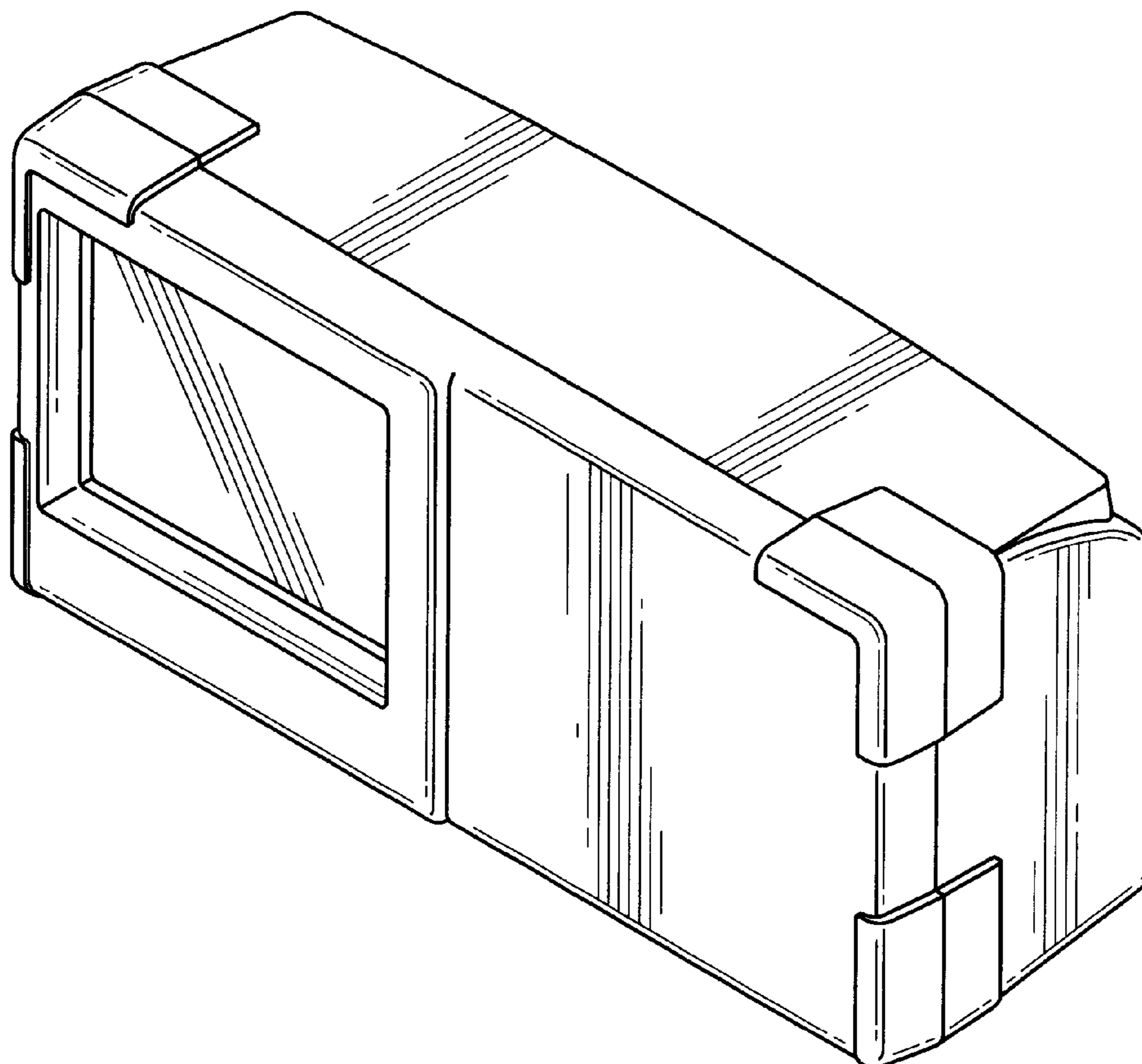
FIG. 4 is a right side elevation view of the housing for test and measurement instruments;

FIG. 5 is a top plan view of the housing for test and measurement instruments;

FIG. 6 is a bottom plan view of the housing for test and measurement instruments; and,

FIG. 7 is a rear elevation view of the housing for test and measurement instruments.

1 Claim, 6 Drawing Sheets



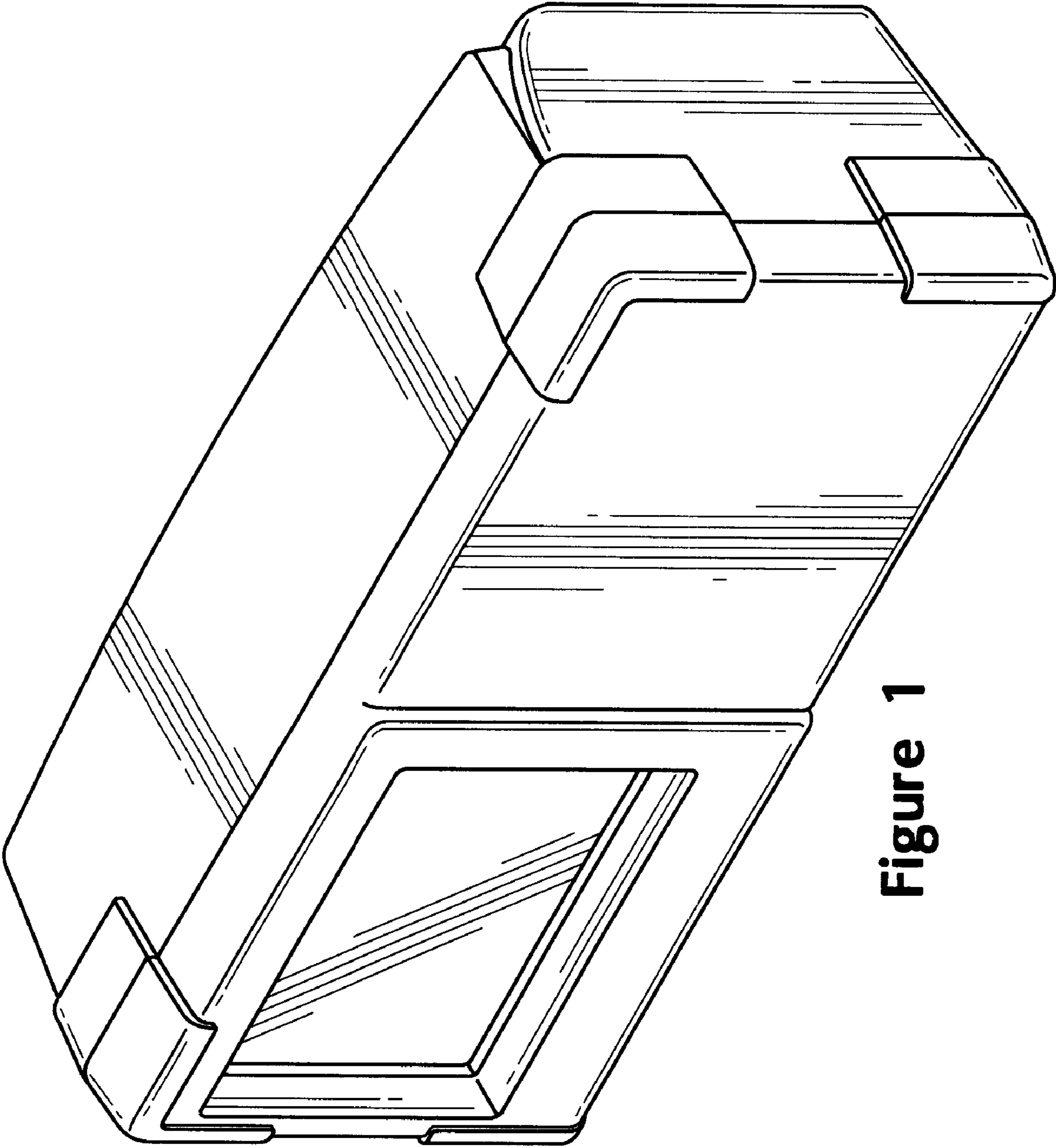


Figure 1

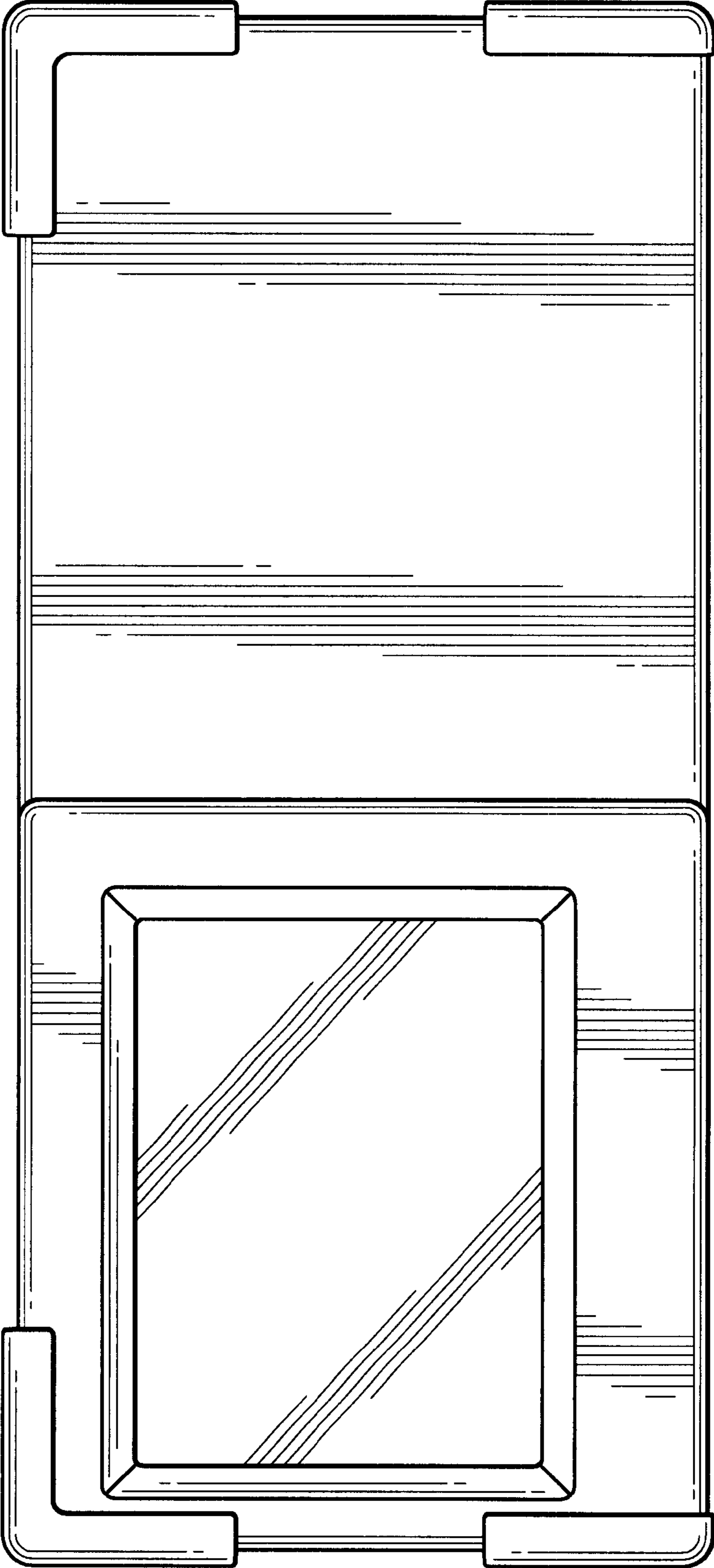


Figure 2

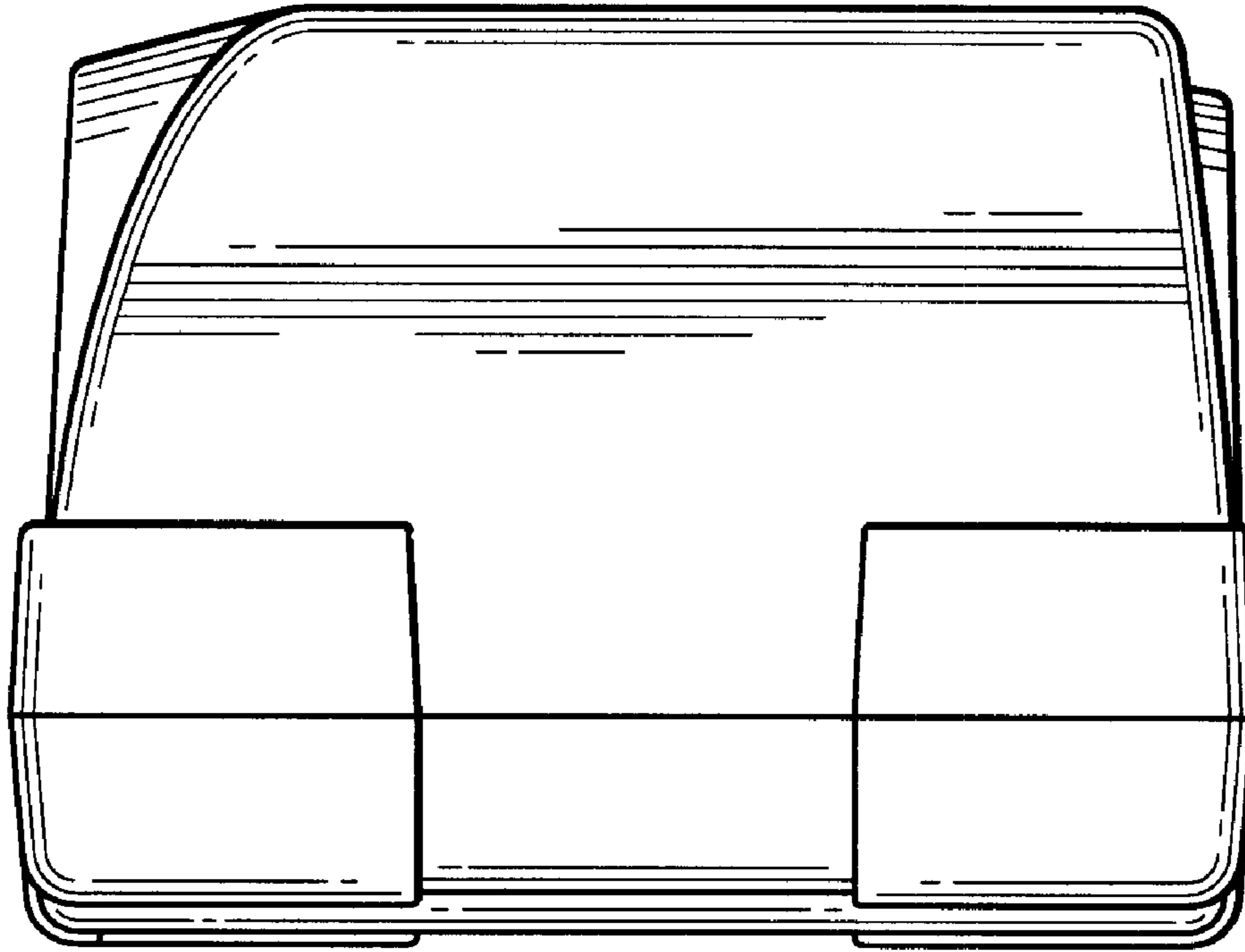


Figure 4

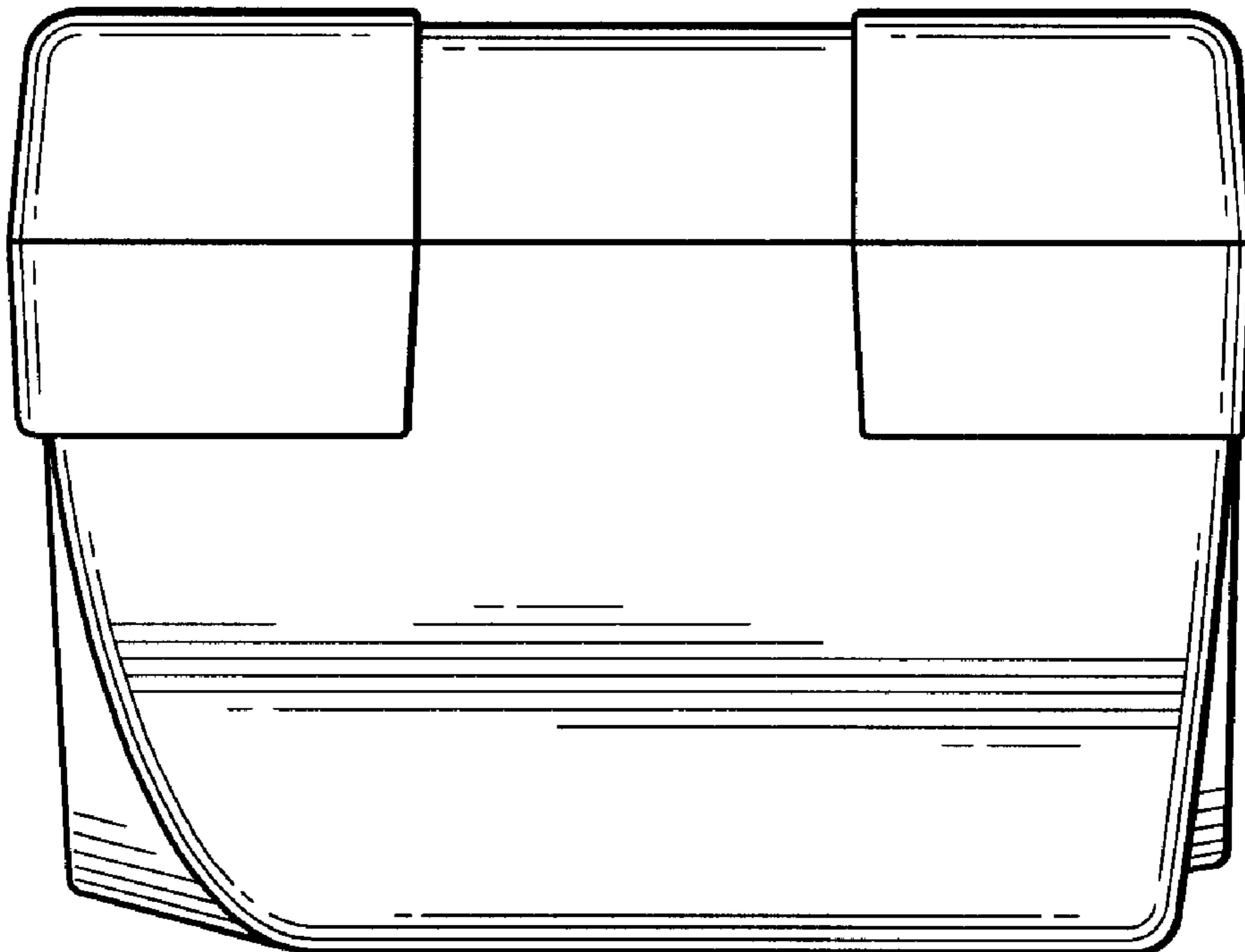


Figure 3

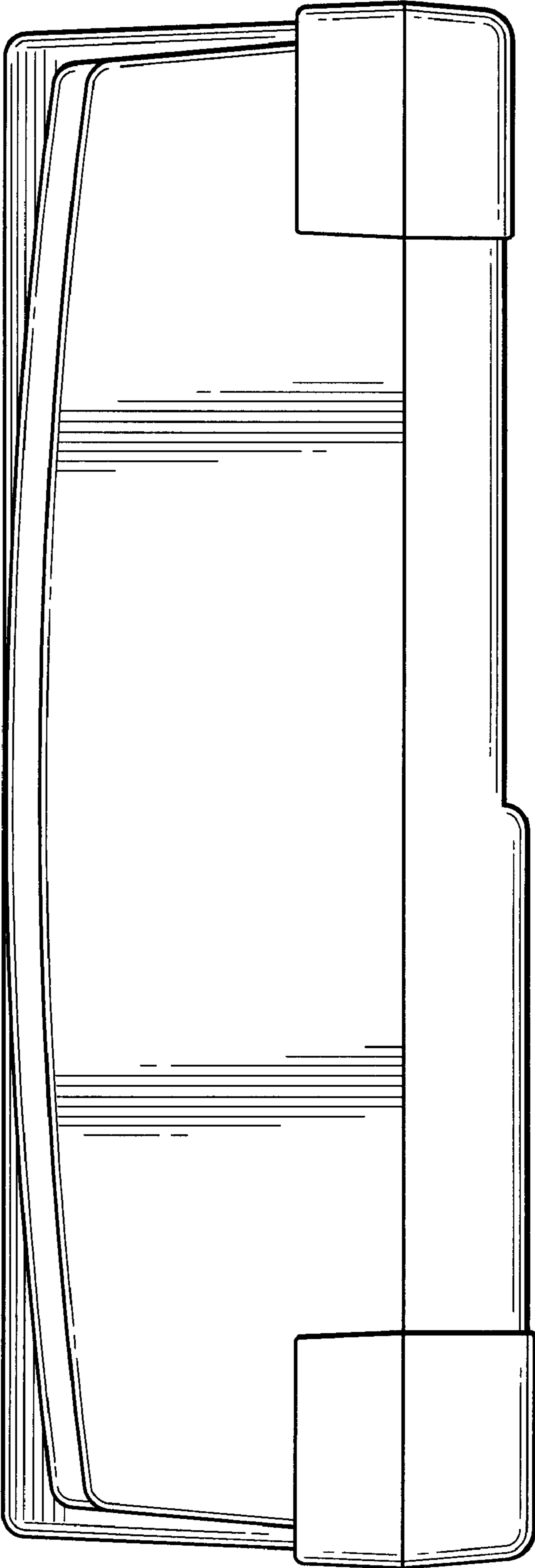


Figure 5

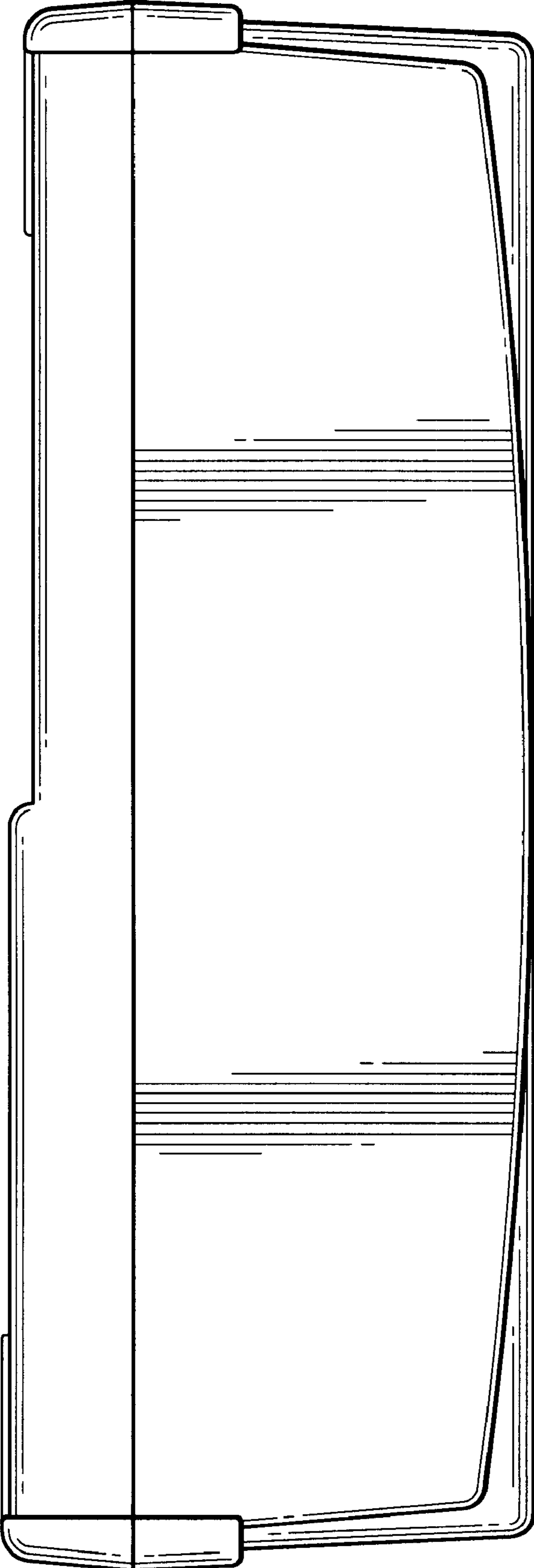


Figure 6

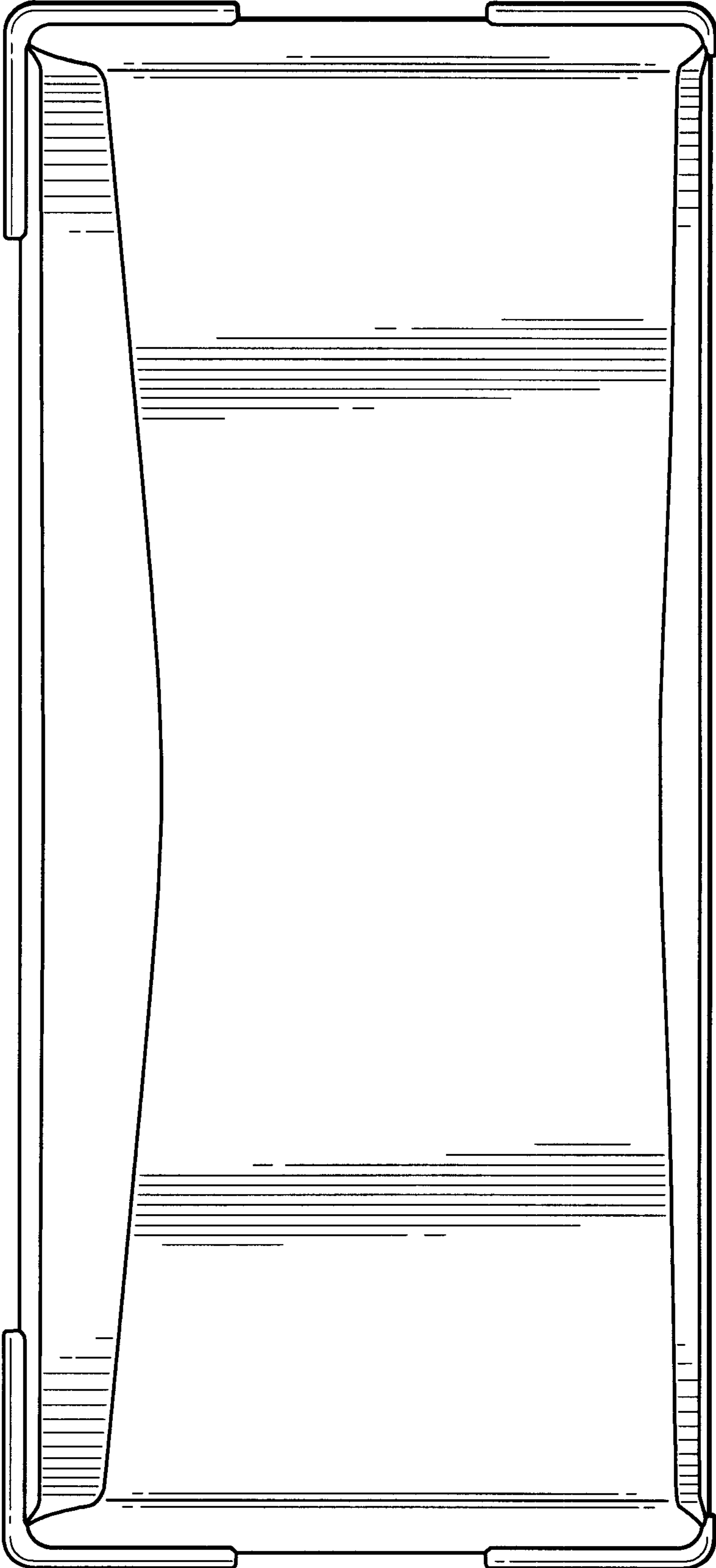


Figure 7