



US00D508424S

(12) **United States Design Patent** (10) **Patent No.:** **US D508,424 S**
Liu (45) **Date of Patent:** **** Aug. 16, 2005**

(54) **LASER LEVELING DEVICE**

(75) **Inventor:** **Yi Liu, Nanjing (CN)**

(73) **Assignee:** **Nanjing Chervon Industry Co., Ltd., Jiangsu (CN)**

(**) **Term:** **14 Years**

(21) **Appl. No.:** **29/216,984**

(22) **Filed:** **Nov. 12, 2004**

(30) **Foreign Application Priority Data**

Jun. 1, 2004 (CN) 200430019113

(51) **LOC (8) Cl.** **10-04**

(52) **U.S. Cl.** **D10/69**

(58) **Field of Search** D10/69; 33/365, 33/366.11-366.27, 367-390

(56) **References Cited**

U.S. PATENT DOCUMENTS

D495,263 S * 8/2004 Liao D10/69

D499,031 S * 11/2004 Liao D10/69

D500,734 S * 1/2005 Puri et al. D13/101

* cited by examiner

Primary Examiner—Antoine D. Davis

(74) *Attorney, Agent, or Firm*—Lowe, Hauptman & Berner, LLP

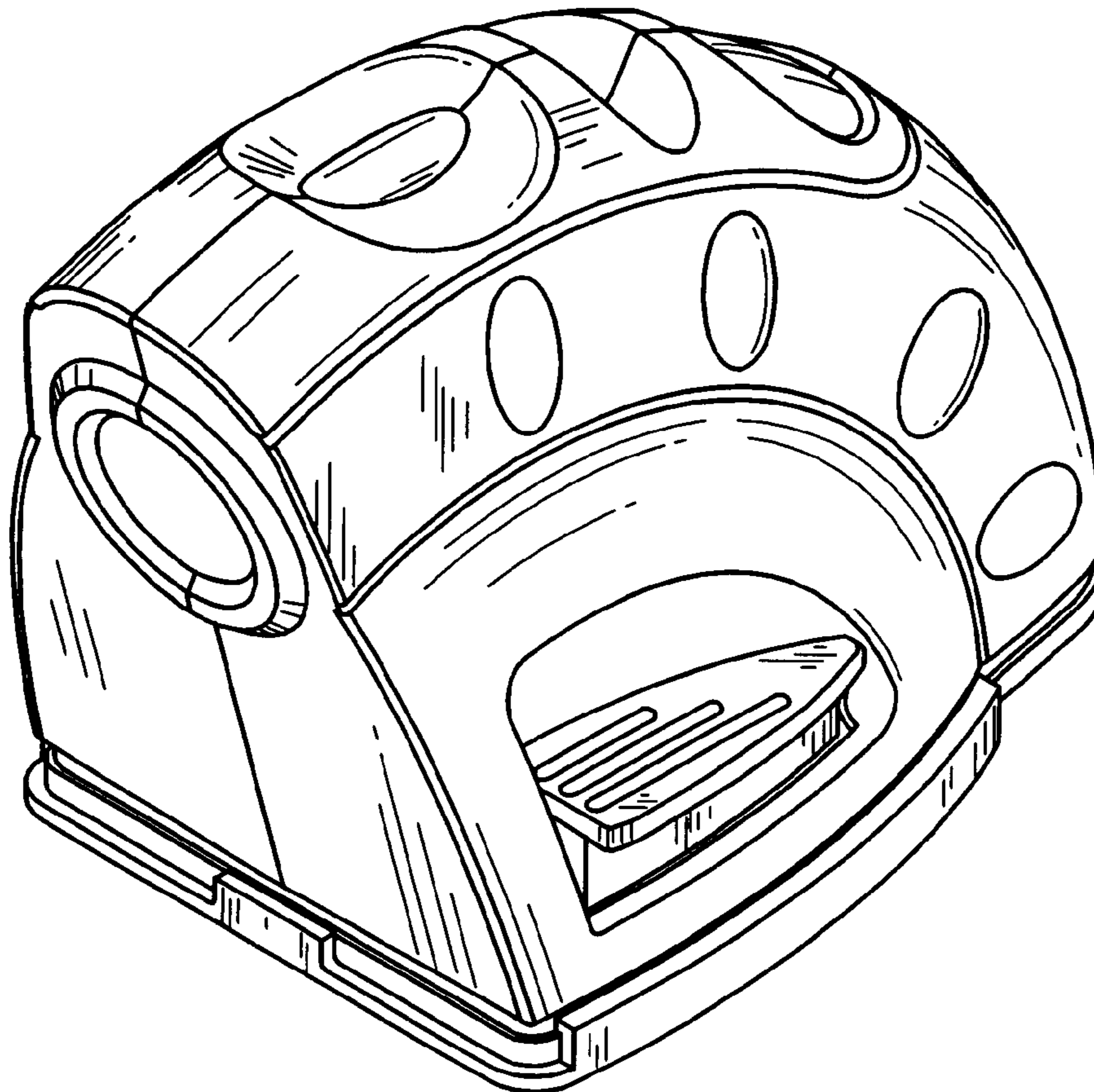
(57) **CLAIM**

The ornamental design for a laser leveling device, as shown and described.

DESCRIPTION

FIG. 1 is a front elevational view of the design; FIG. 2 is a rear elevational view of the laser leveling device in FIG. 1; FIG. 3 is a left side elevational view of the laser leveling device in FIG. 1; FIG. 4 is a right side elevational view of the laser leveling device in FIG. 1; FIG. 5 is a top plan view of the laser leveling device in FIG. 1; FIG. 6 is a bottom plan view of the laser leveling device in FIG. 1; and, FIG. 7 is a perspective view of the laser leveling device of FIG. 1.

1 Claim, 4 Drawing Sheets



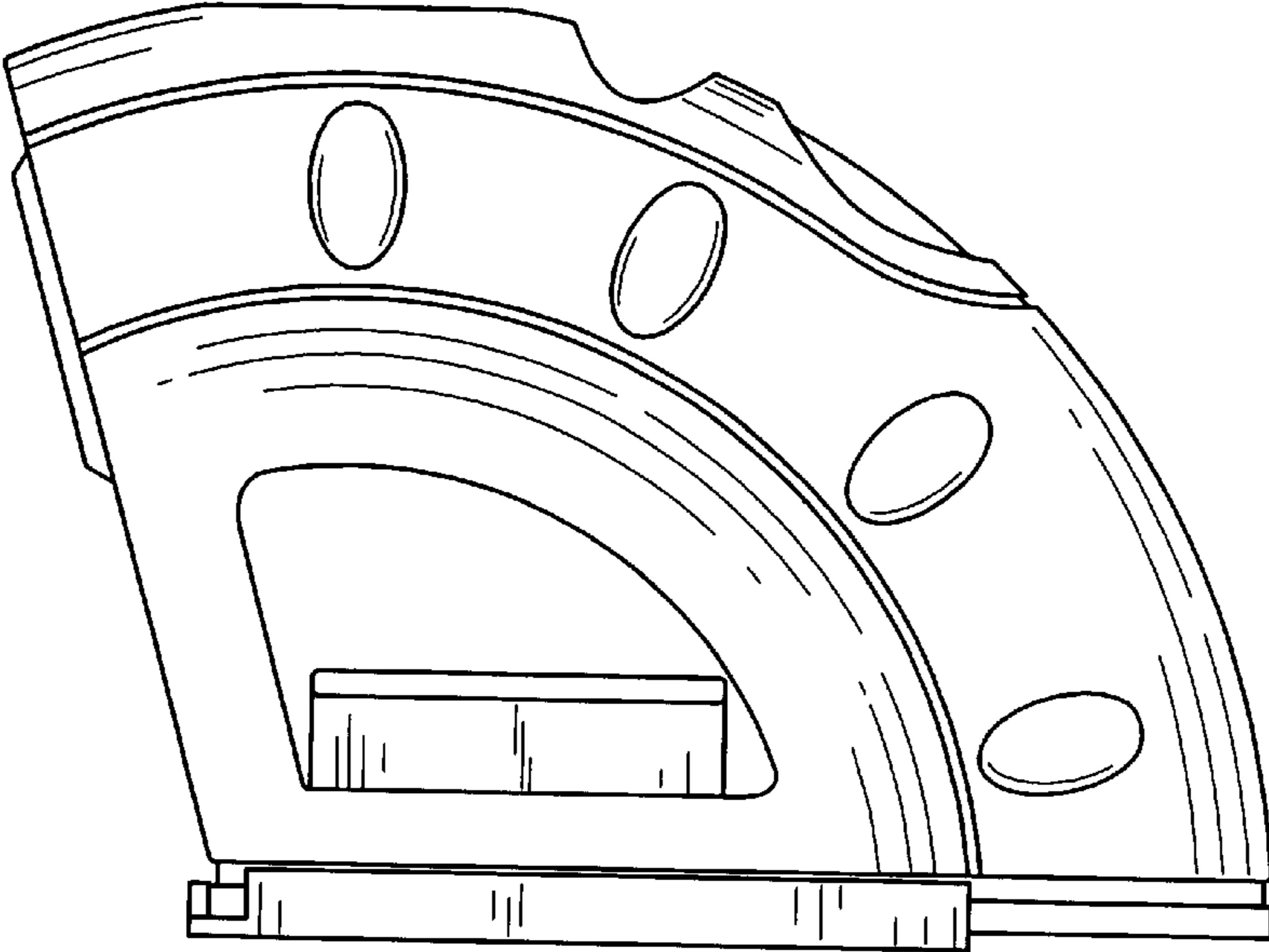


FIG. 1

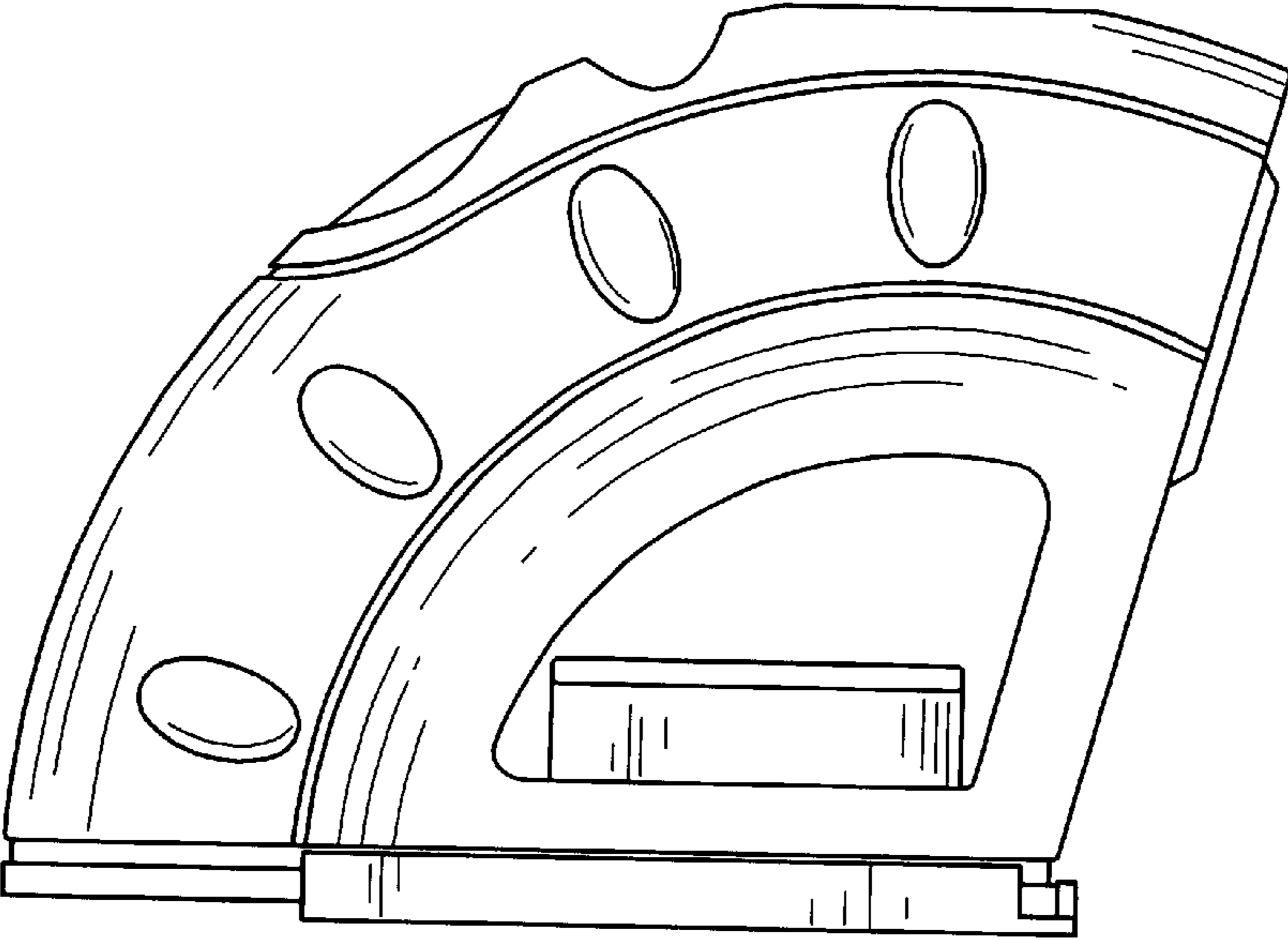


FIG. 2

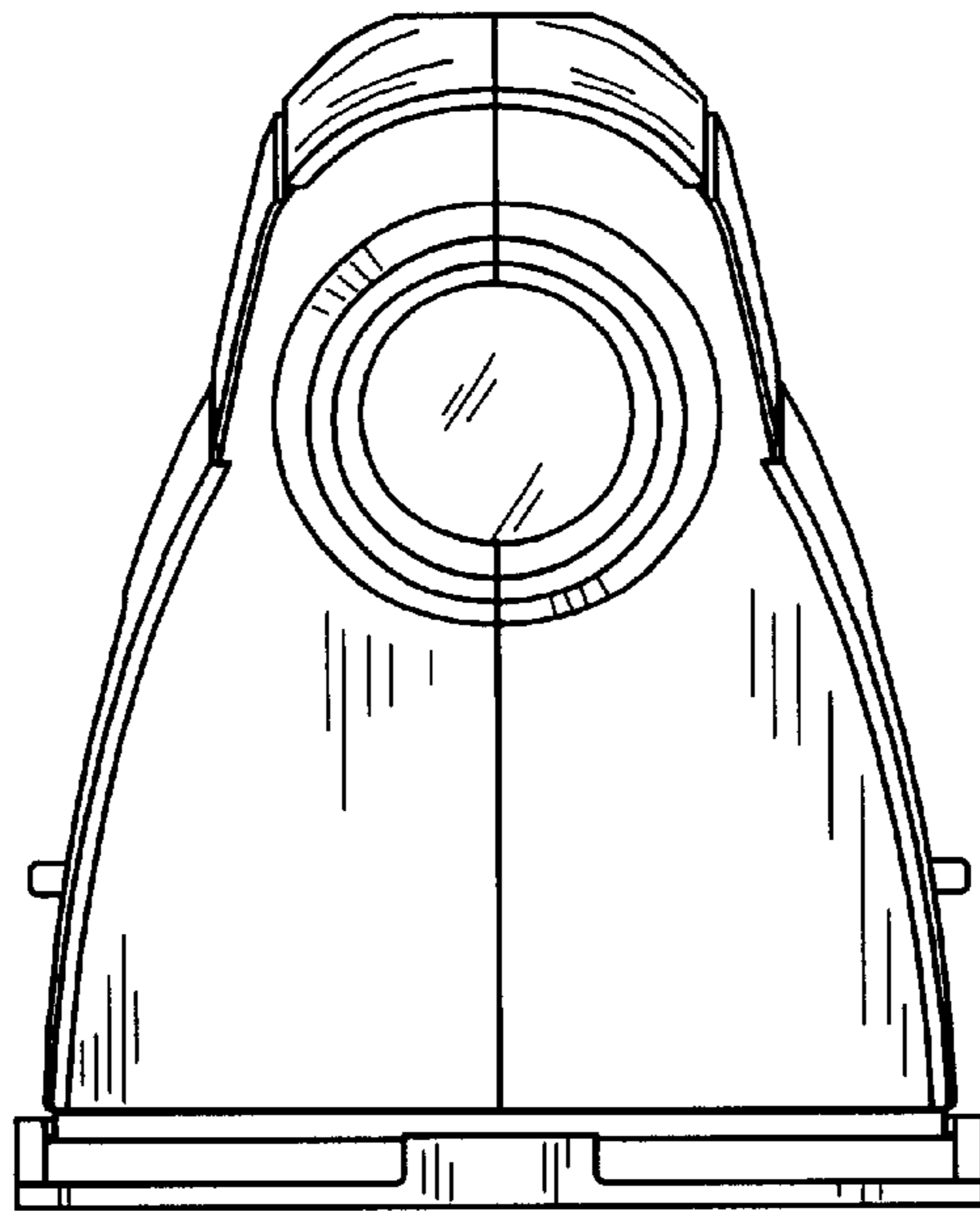


FIG. 3

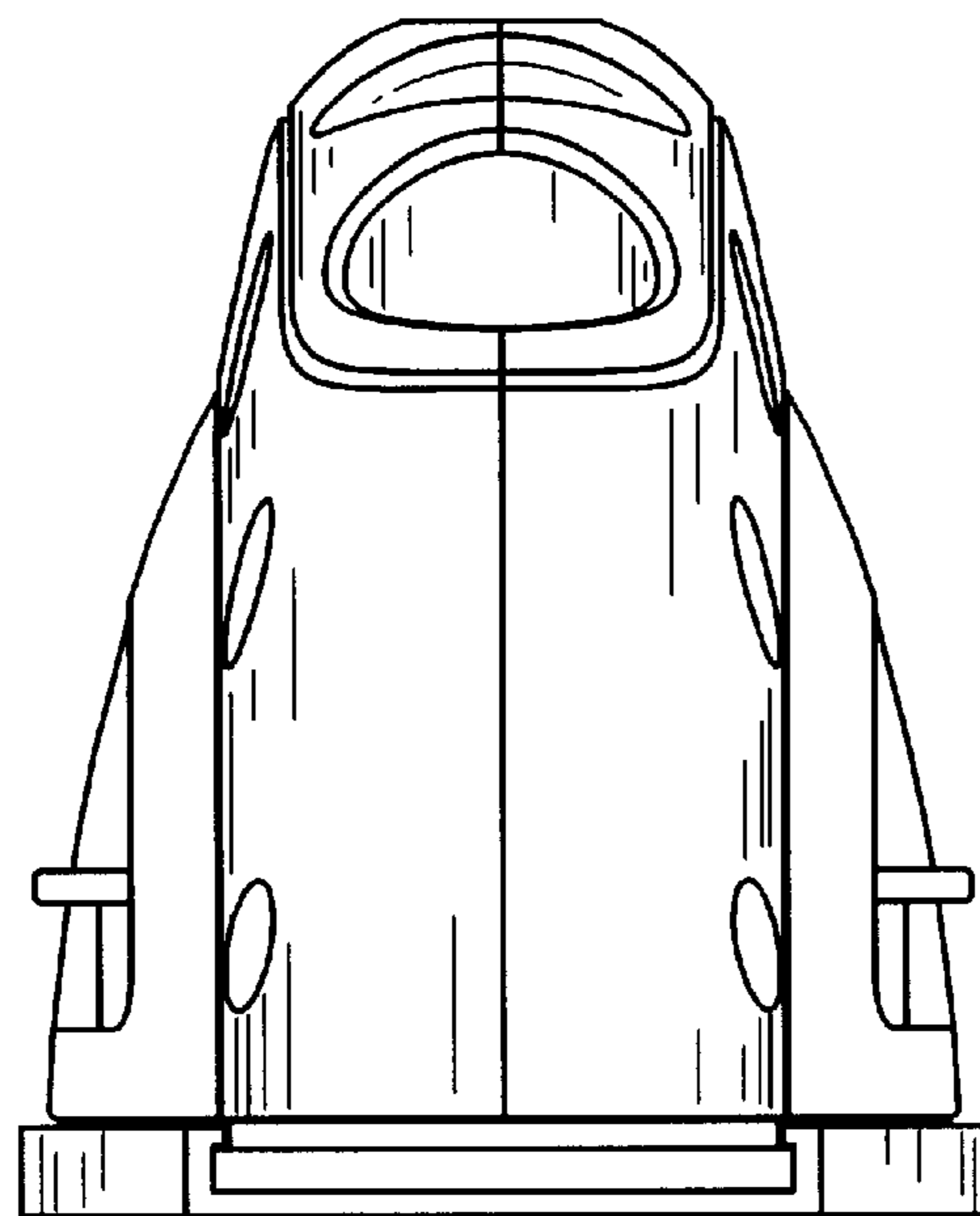


FIG. 4

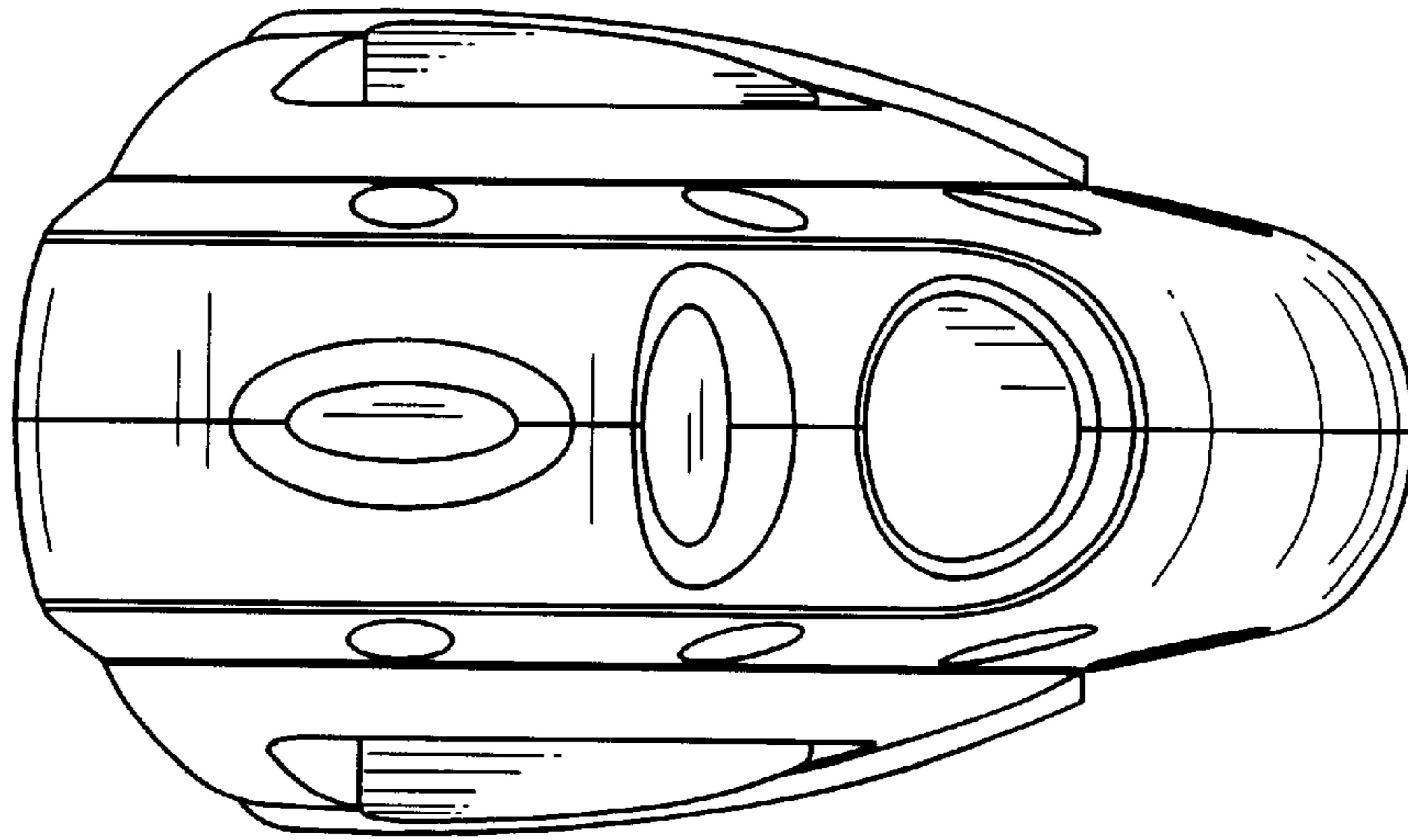


FIG. 5

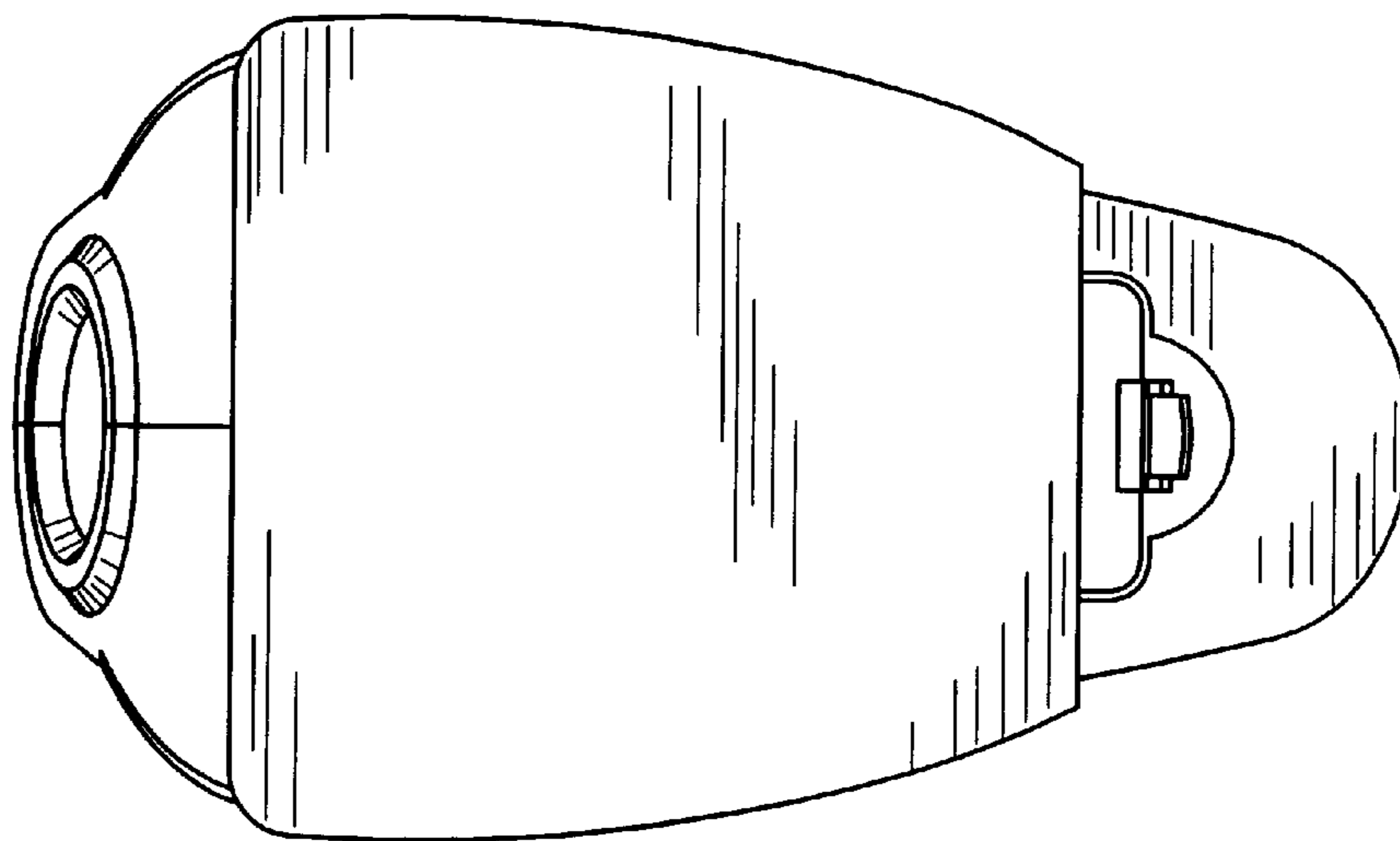


FIG. 6

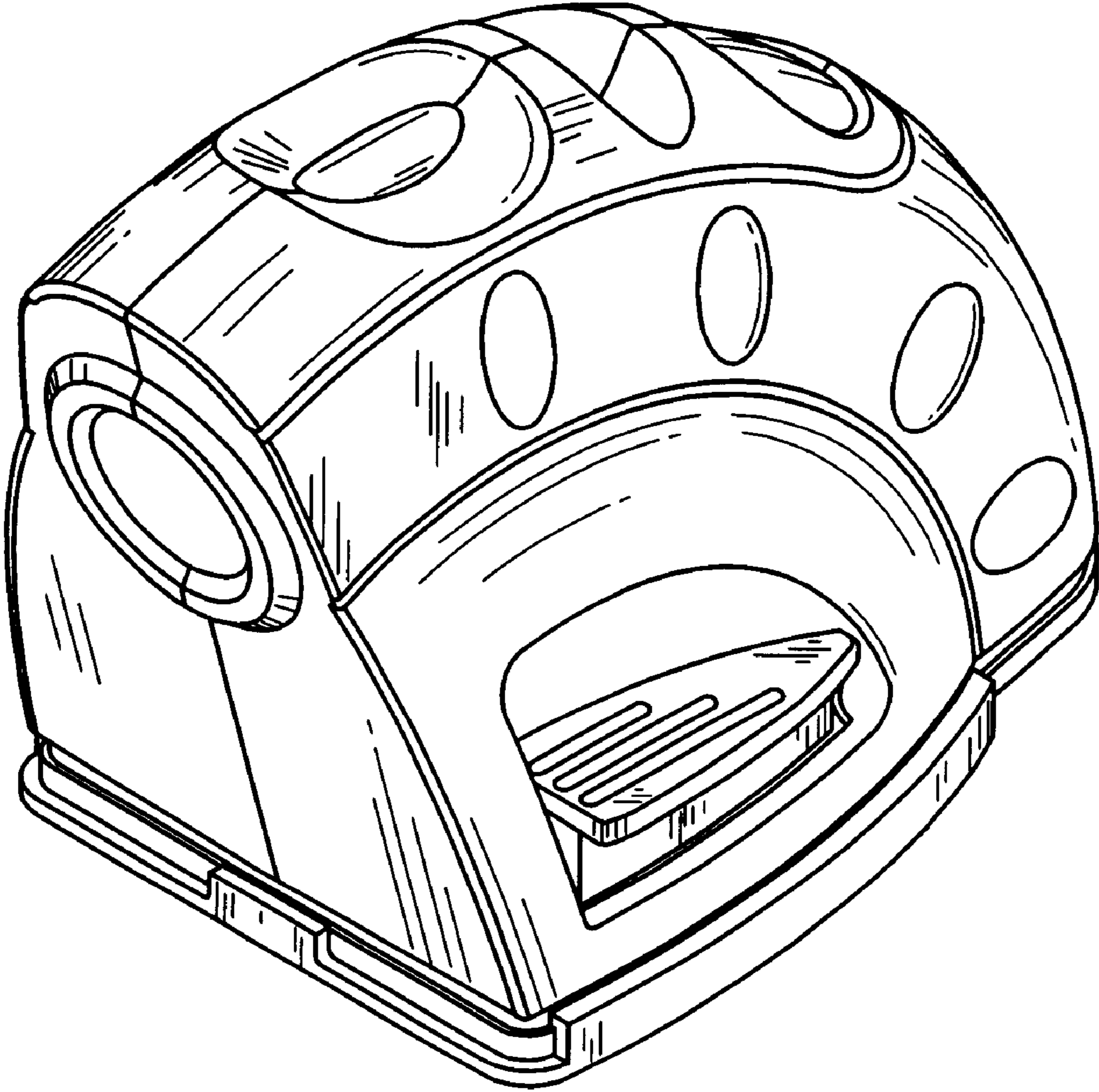


FIG. 7