

US00D508422S

(12) **United States Design Patent** (10) **Patent No.:** **US D508,422 S**
Boeke (45) **Date of Patent:** **** Aug. 16, 2005**

(54) **INDEXING PANORAMIC LEVEL**

(76) **Inventor:** **Herbert Boeke**, 8411 Fairhurst Rd.,
Richmond (CA), V7C 1Y7

(**) **Term:** **14 Years**

(21) **Appl. No.:** **29/214,628**

(22) **Filed:** **Oct. 7, 2004**

(30) **Foreign Application Priority Data**

Sep. 23, 2004 (CA) 108472

(51) **LOC (8) Cl.** **10-04**

(52) **U.S. Cl.** **D10/69**

(58) **Field of Search** D10/69; 33/365,
33/366.11-366.27, 367-390, 570; 116/213;
248/179.1, 183.2, 186.2, 187.1, 207; 396/20,
24, 239, 281, 428

(56) **References Cited**

U.S. PATENT DOCUMENTS

651,521 A	6/1900	Bigsby-Chamberlin
792,423 A	6/1905	Kiessig
812,233 A	2/1906	Rock
1,028,167 A	6/1912	Williams
1,083,575 A	1/1914	White
1,115,253 A	10/1914	Smith
1,259,126 A	3/1918	Parkes
1,282,177 A	10/1918	Blankenhorn
1,503,437 A	7/1924	James

2,145,584 A	1/1939	Chamberlain, Jr.
2,589,892 A	3/1952	Suzukawa
3,183,810 A	5/1965	Campbell et al.
4,175,842 A	11/1979	Sakurada et al.
4,341,452 A	7/1982	Korling
4,593,982 A	6/1986	Rosset
5,040,759 A	8/1991	Wainwright
5,752,113 A	5/1998	Borden
D399,145 S	* 10/1998	Ho D10/69
5,870,642 A	2/1999	Mittelstaedt et al.

* cited by examiner

Primary Examiner—Antoine D. Davis

(74) *Attorney, Agent, or Firm*—Oyen Wiggs Mutata & Green

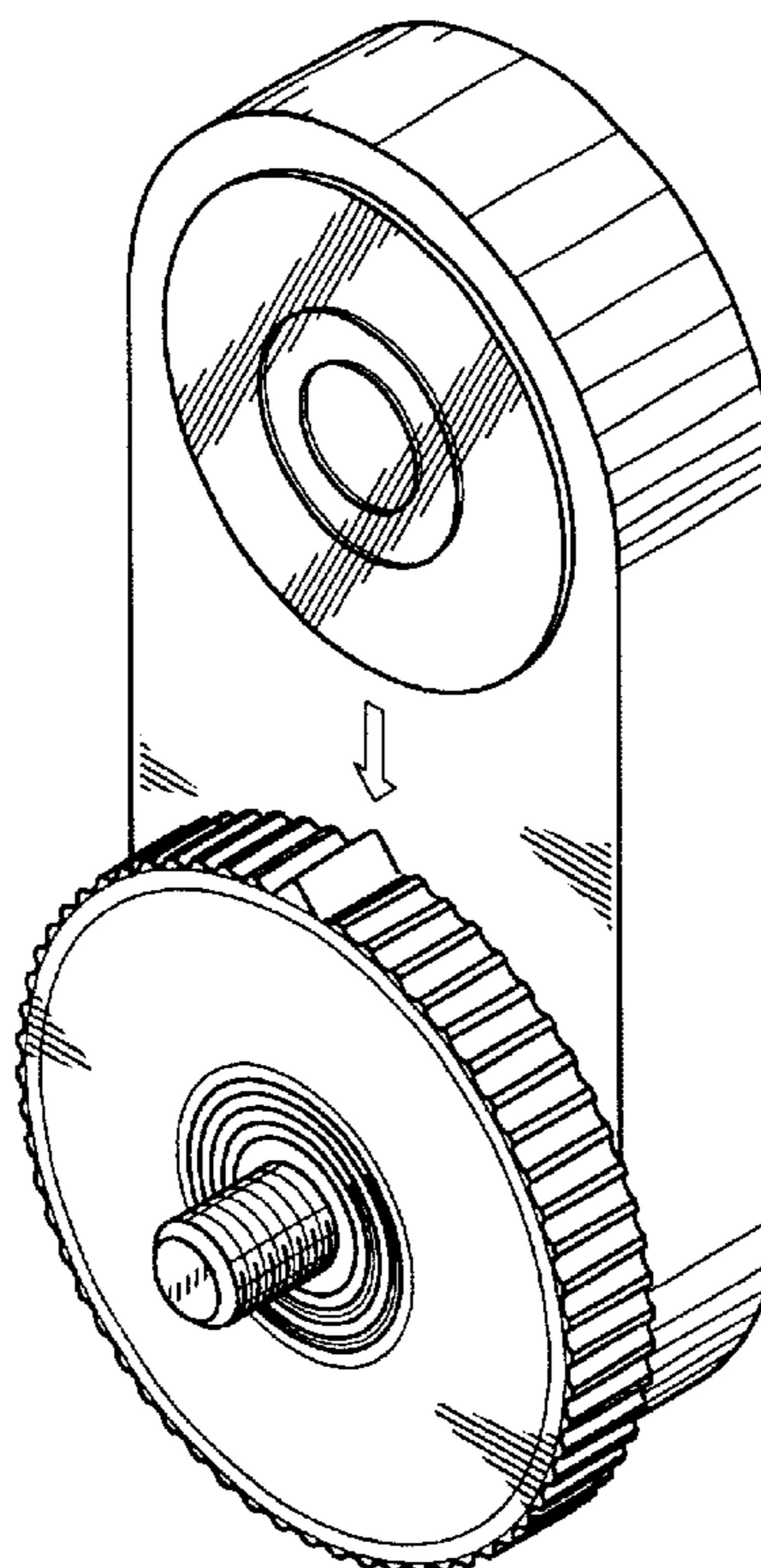
(57) **CLAIM**

The ornamental design for an indexing panoramic level, as shown and described.

DESCRIPTION

FIG. 1 is a perspective view of an indexing panoramic level showing the new design;
 FIG. 2 is a top view thereof;
 FIG. 3 is a bottom view thereof;
 FIG. 4 is a left hand side view thereof;
 FIG. 5 is a right hand side view thereof;
 FIG. 6 is a rear end view thereof; and,
 FIG. 7 is a front end view thereof.

1 Claim, 2 Drawing Sheets



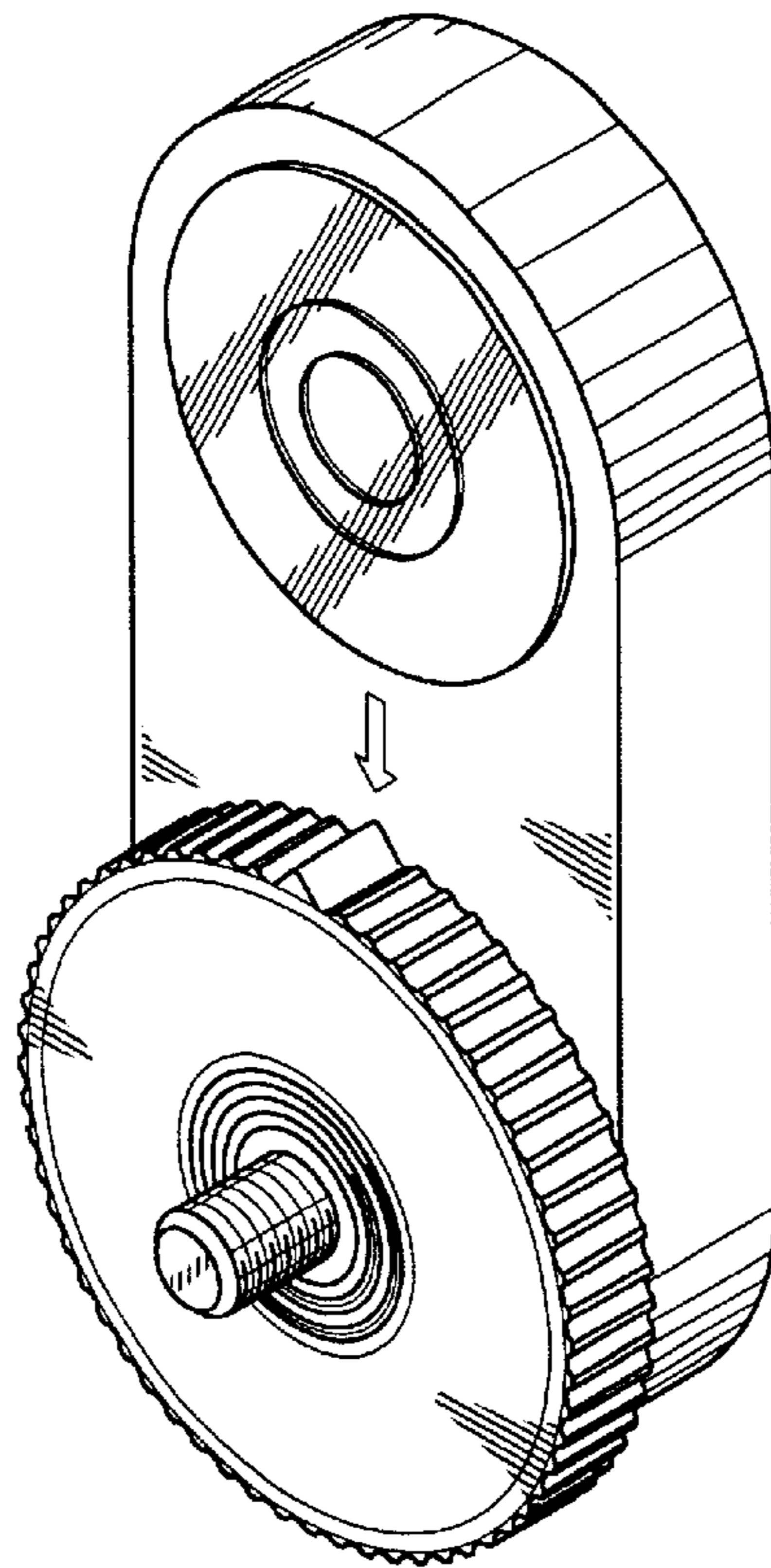


FIG. 1

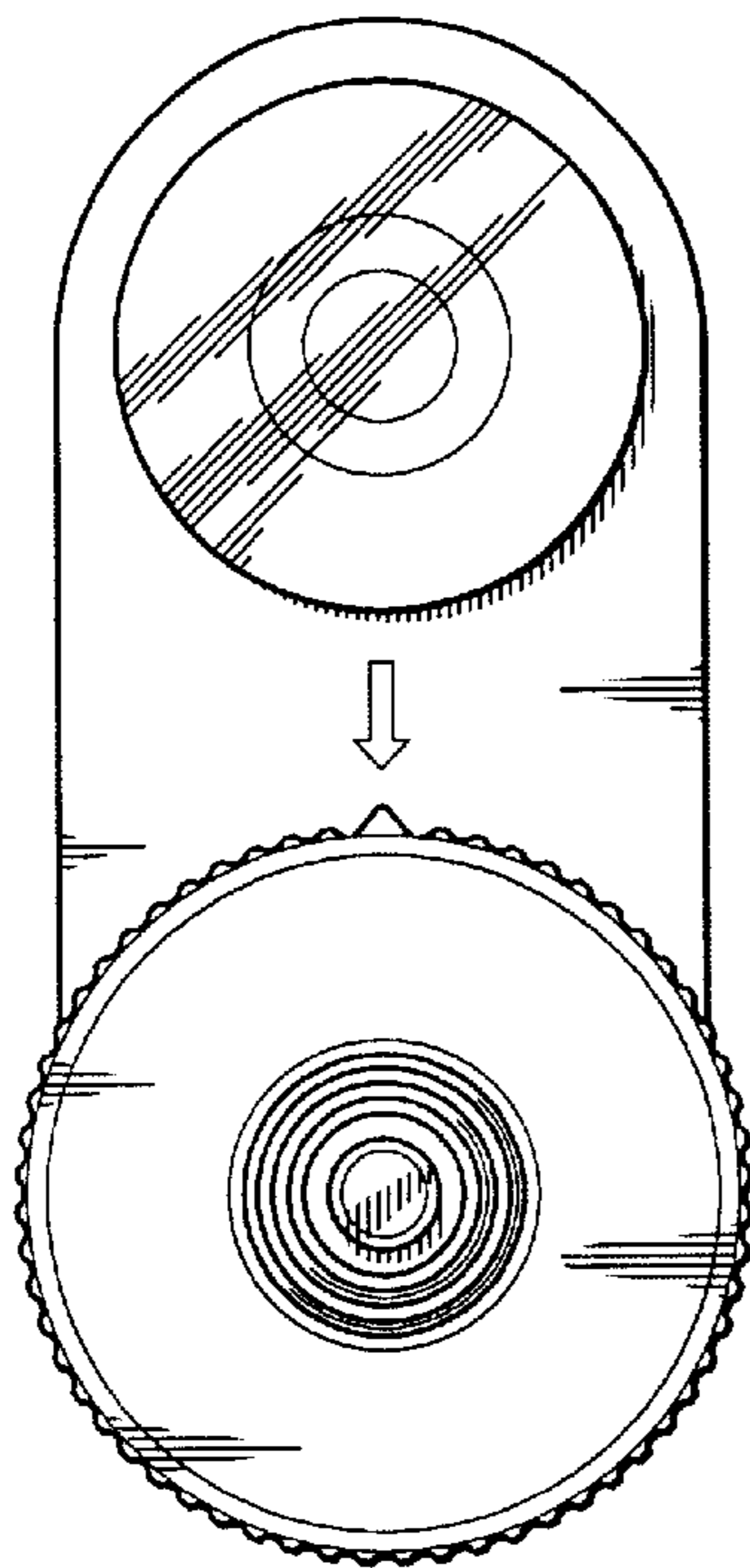


FIG. 2

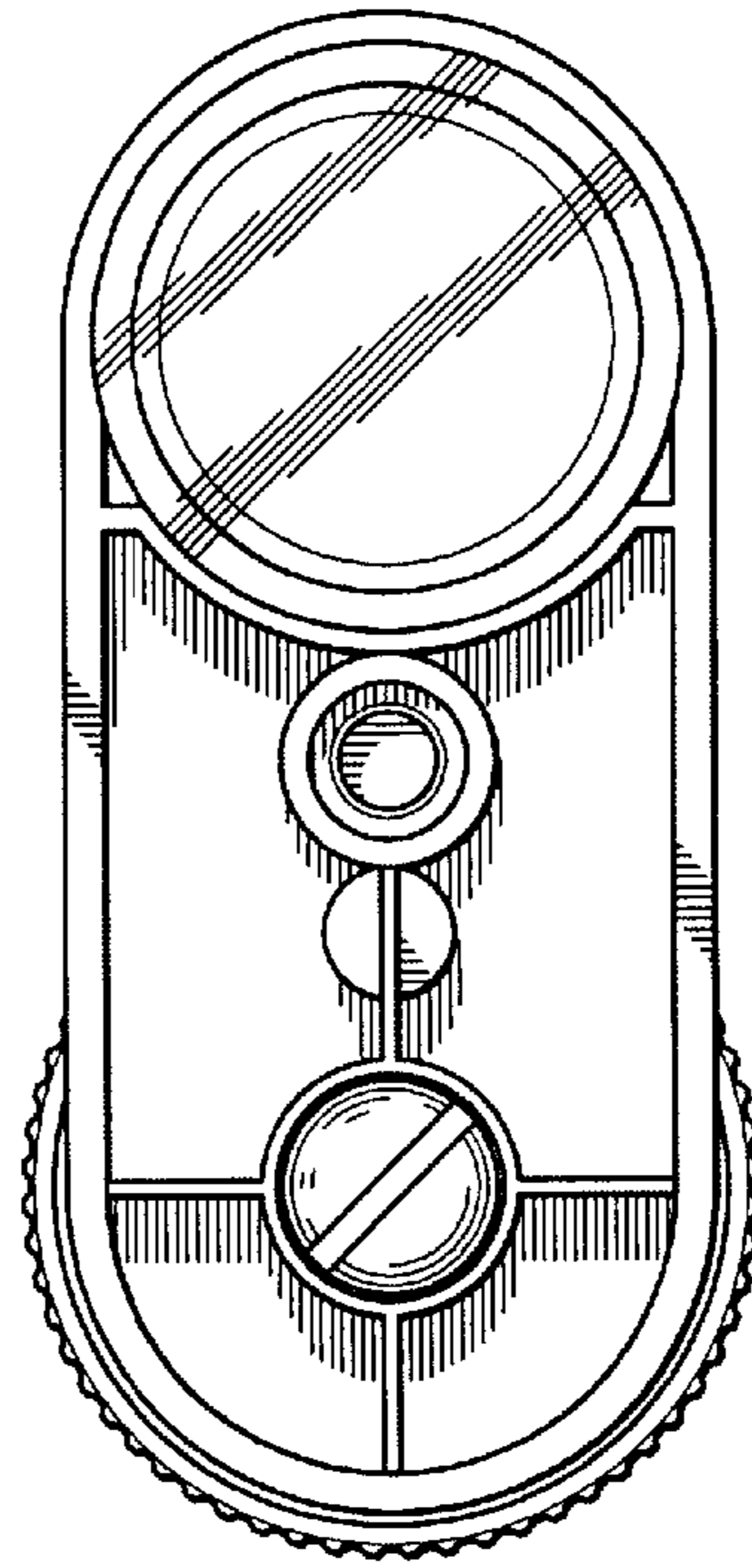


FIG. 3

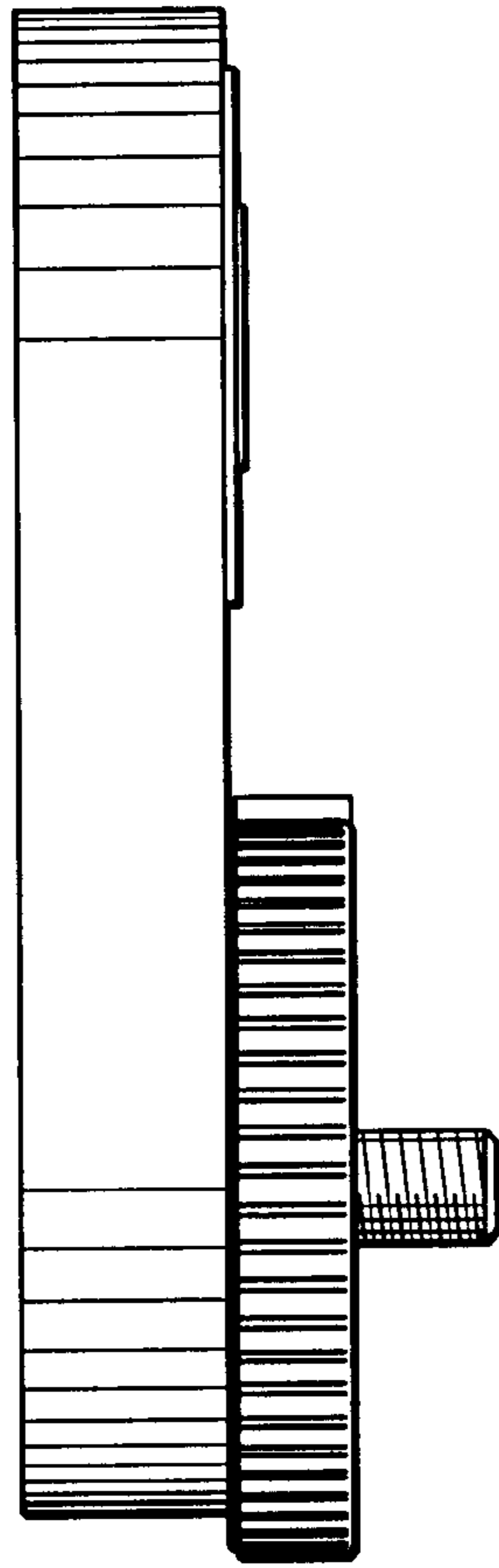


FIG. 4

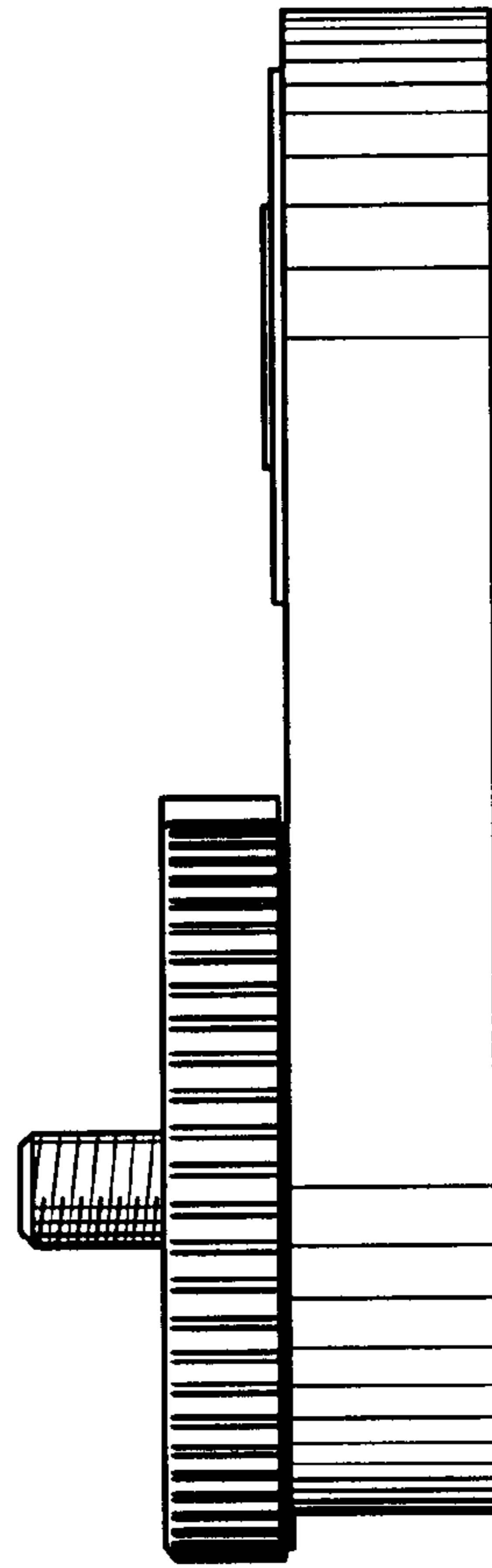


FIG. 5

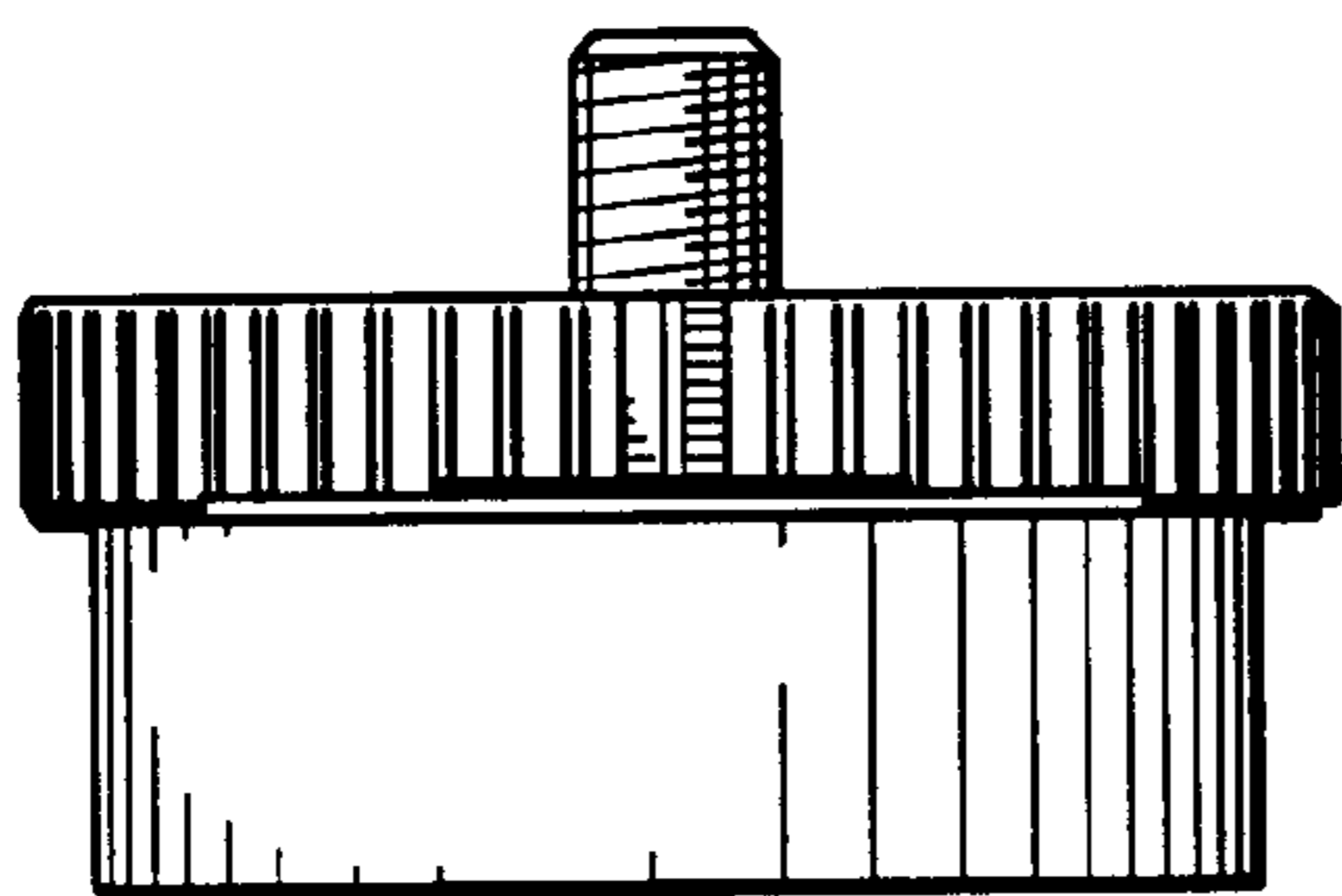


FIG. 6

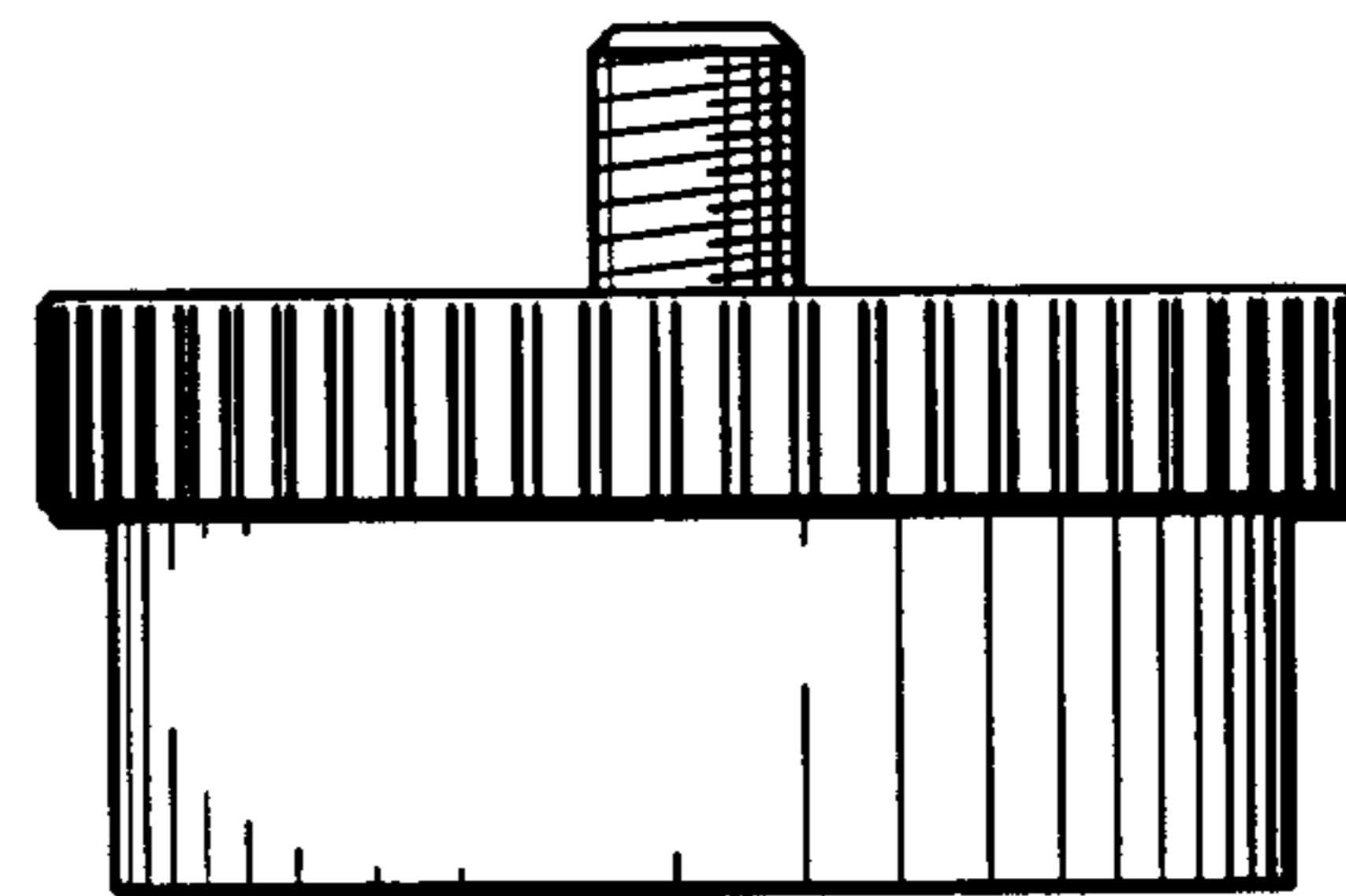


FIG. 7