

US00D508421S

(12) **United States Design Patent**
Diltoer

(10) **Patent No.:** **US D508,421 S**

(45) **Date of Patent:** **** Aug. 16, 2005**

(54) **WATCH**

D278,130 S * 3/1985 Houlihan et al. D10/38
D422,514 S * 4/2000 Diltoer et al. D10/39

(75) **Inventor:** **Jacques Diltoer, La Garenne (FR)**

* cited by examiner

(73) **Assignee:** **Cartier International B.V., Amsterdam (NL)**

Primary Examiner—Nelson C. Holtje

(74) *Attorney, Agent, or Firm*—Kalow & Springut LLP

(**) **Term:** **14 Years**

(57) **CLAIM**

The ornamental design for a watch, as shown and described.

(21) **Appl. No.:** **29/211,185**

(22) **Filed:** **Aug. 12, 2004**

DESCRIPTION

(30) **Foreign Application Priority Data**

Feb. 13, 2004 (EM) 000134531-0005

(51) **LOC (8) Cl.** **10-02**

(52) **U.S. Cl.** **D10/39**

(58) **Field of Search** D10/30-39; 368/280-282,
368/276-277, 285, 293-294

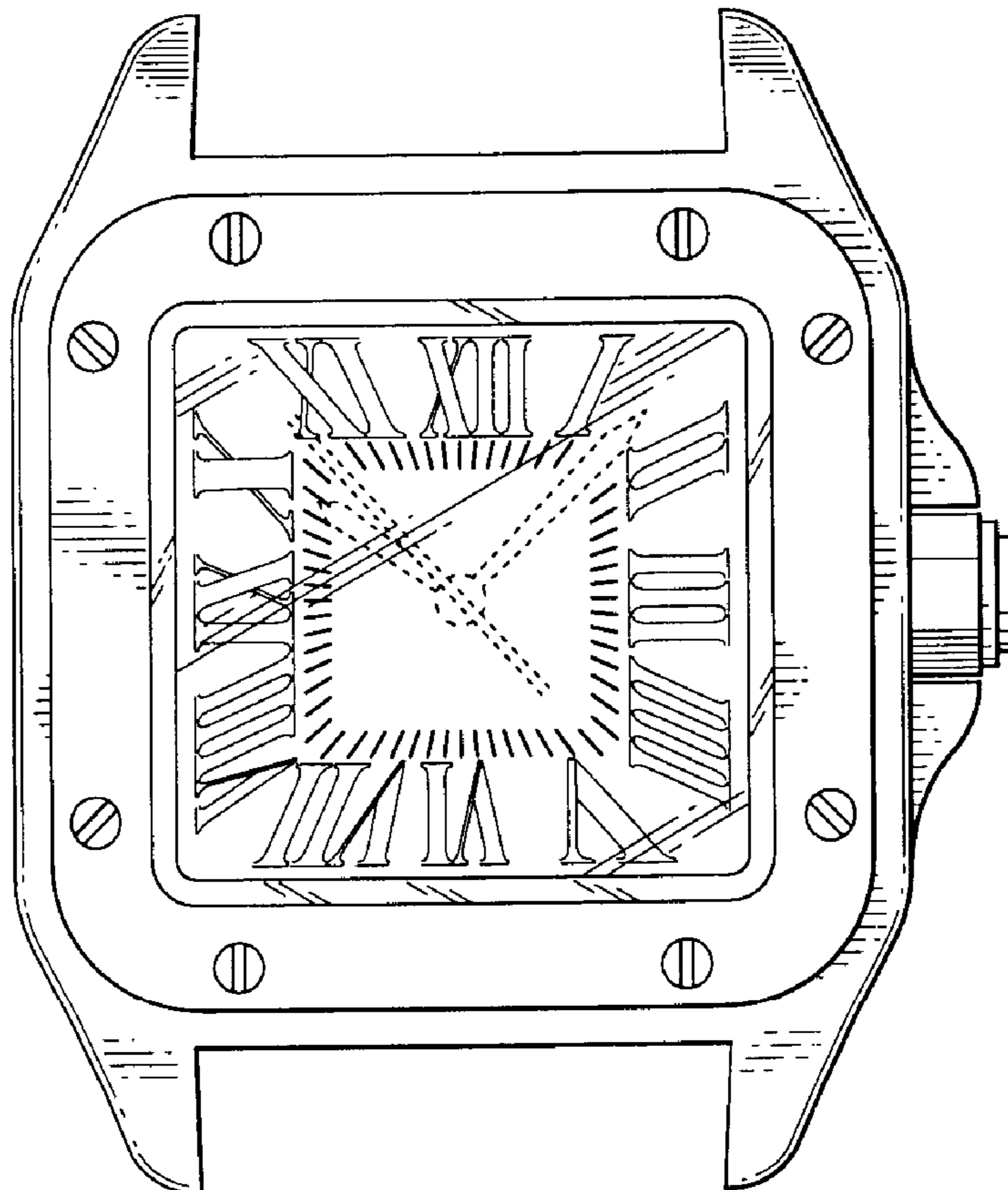
FIG. 1 is a perspective view of a watch;
FIG. 2 is a front view thereof;
FIG. 3 is a rear view thereof;
FIG. 4 is a right-side view thereof;
FIG. 5 is a left-side view thereof;
FIG. 6 is a top view;
FIG. 7 is a bottom view thereof;
FIG. 8 is a perspective view of another embodiment of a watch; and,
FIG. 9 is a front view thereof, the rear, right-side, left-side, top and bottom views thereof being the same as FIGS. 3-7.
The broken lines are for illustrative purposes only and form no part of the claimed design.

(56) **References Cited**

U.S. PATENT DOCUMENTS

D251,056 S * 2/1979 Perrin D10/39
D262,949 S * 2/1982 Perrin D10/32
D267,549 S * 1/1983 Kanoui D10/39

1 Claim, 4 Drawing Sheets



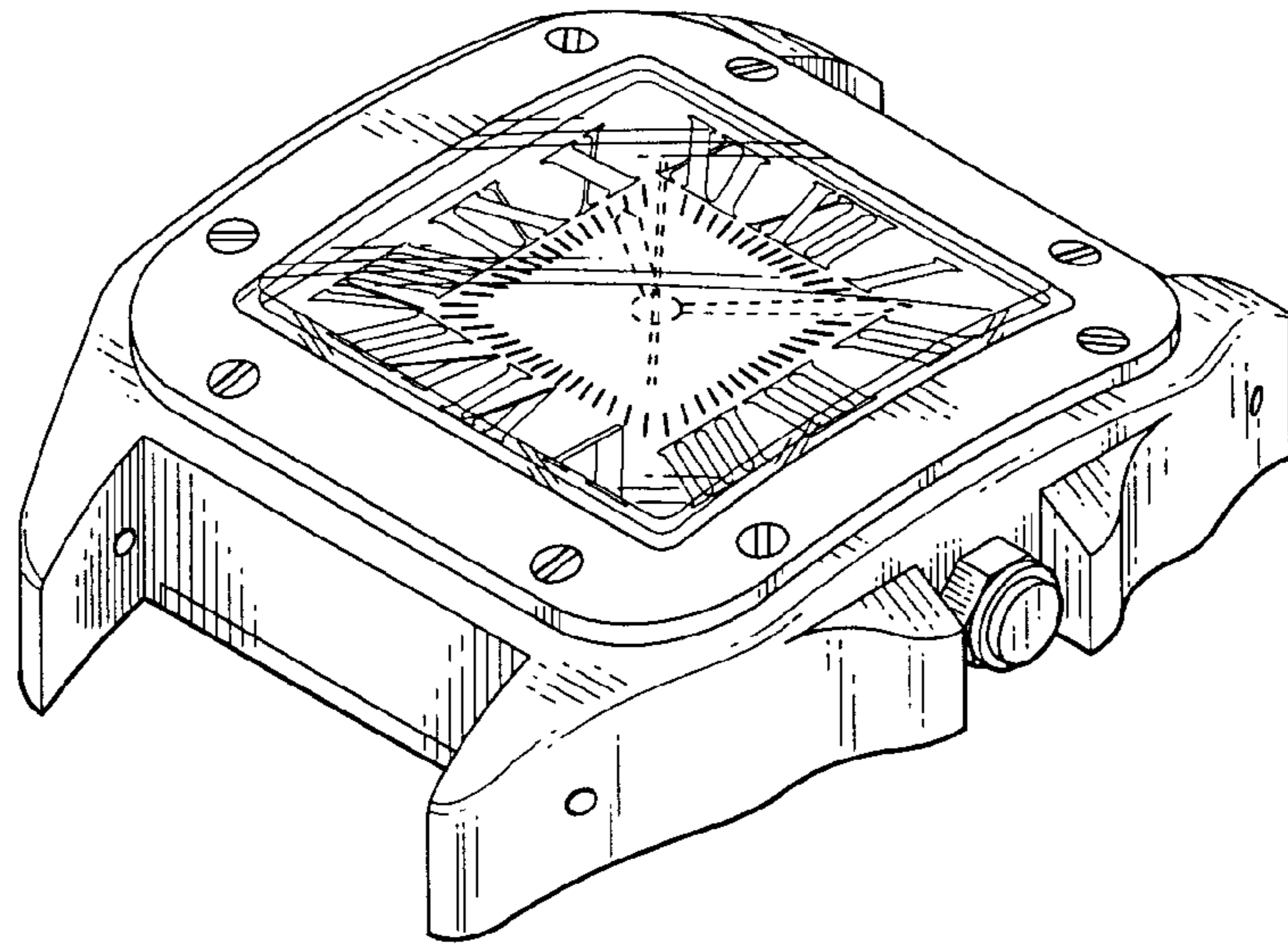


Fig. 1

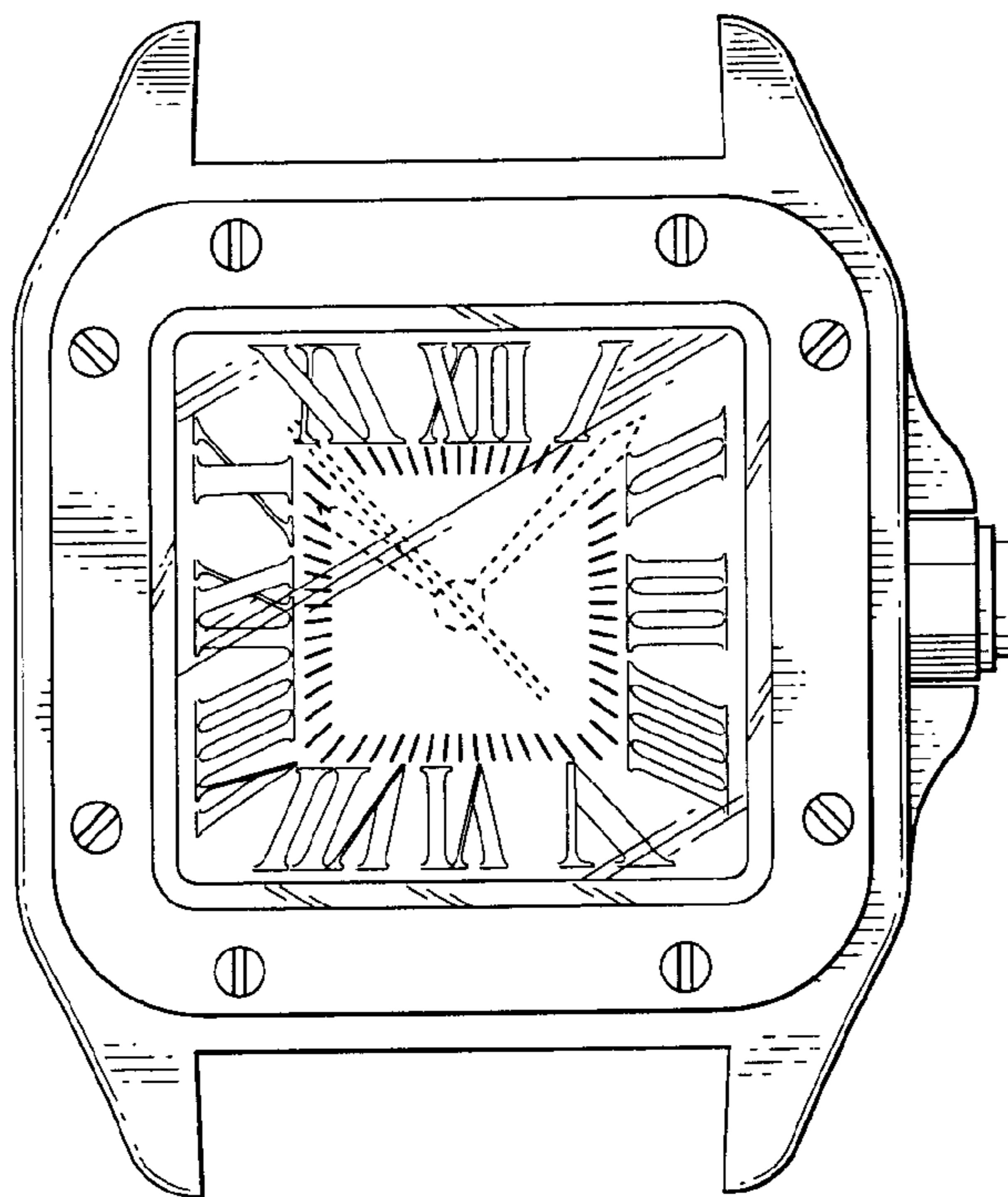


Fig. 2

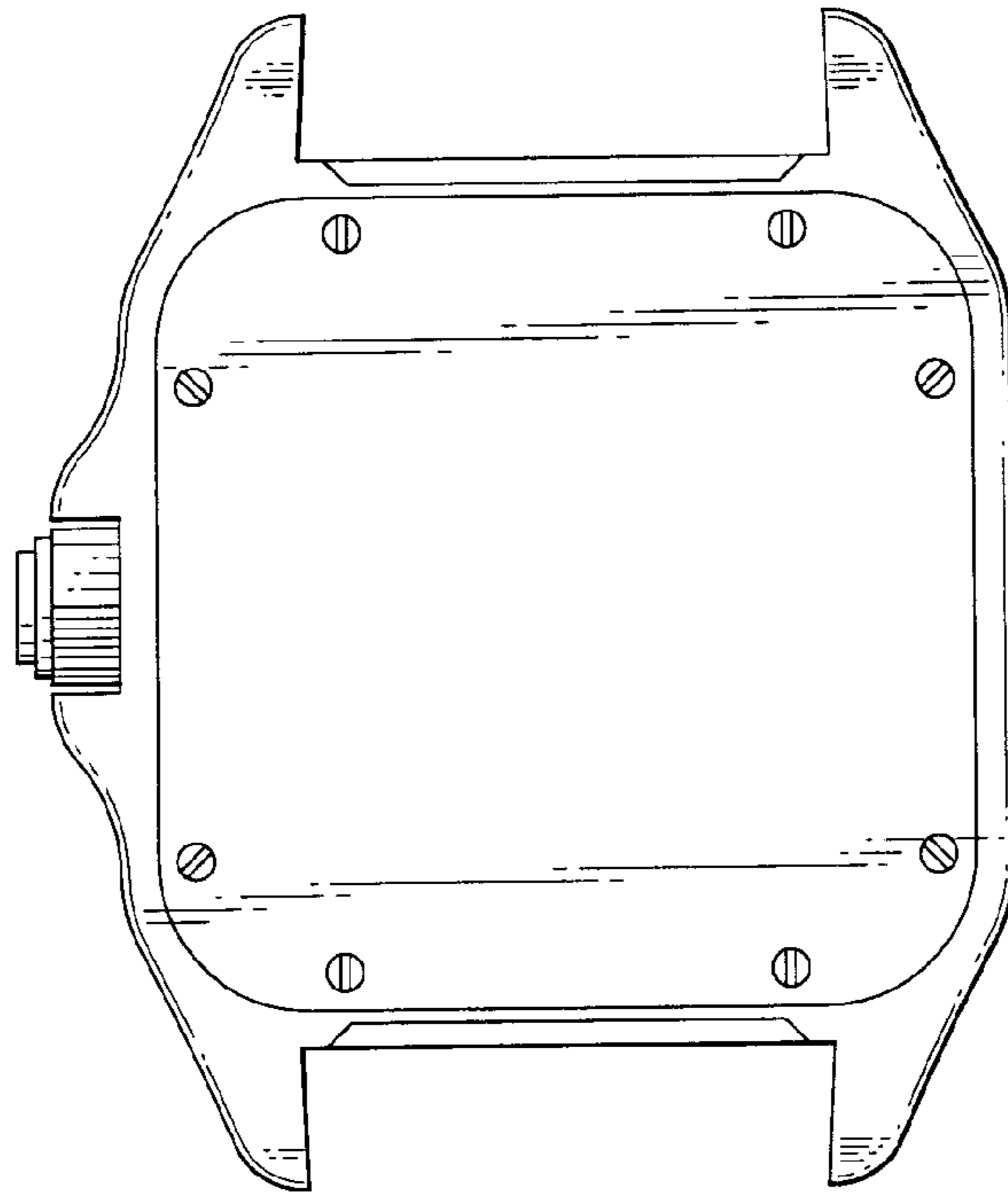


Fig. 3

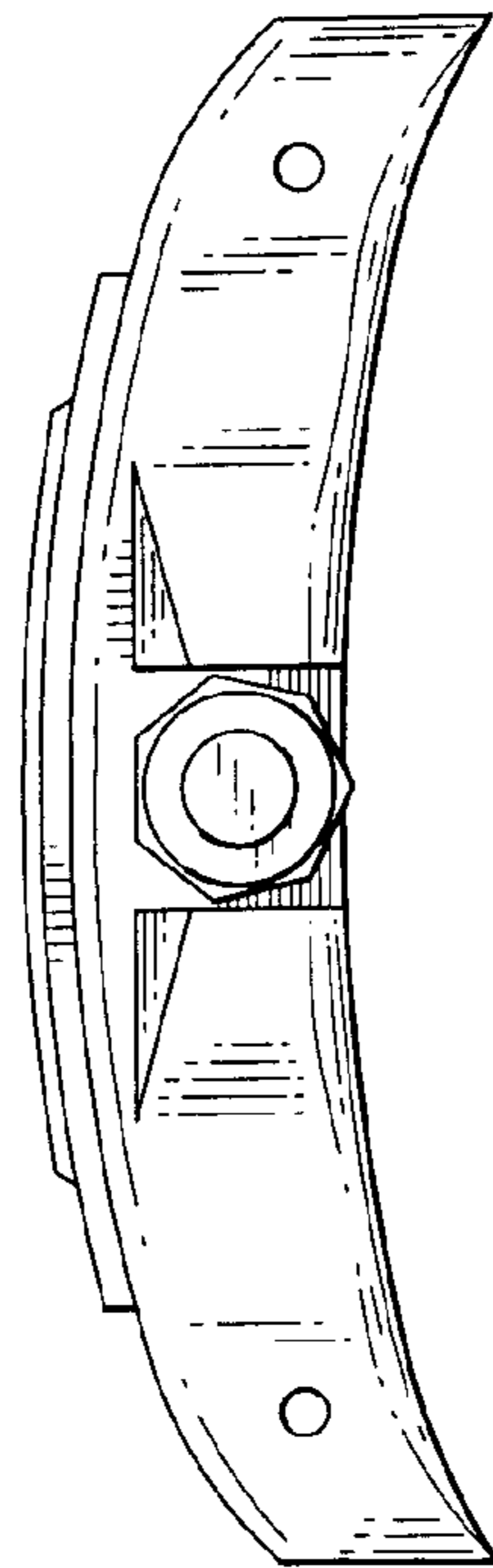


Fig. 4

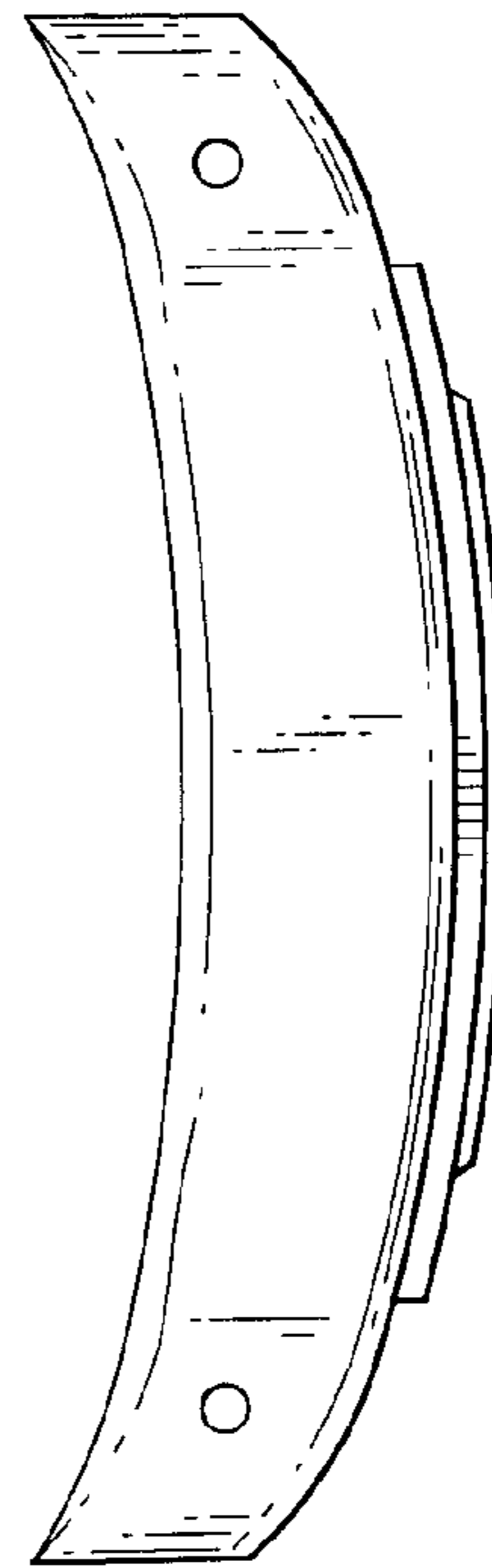


Fig. 5

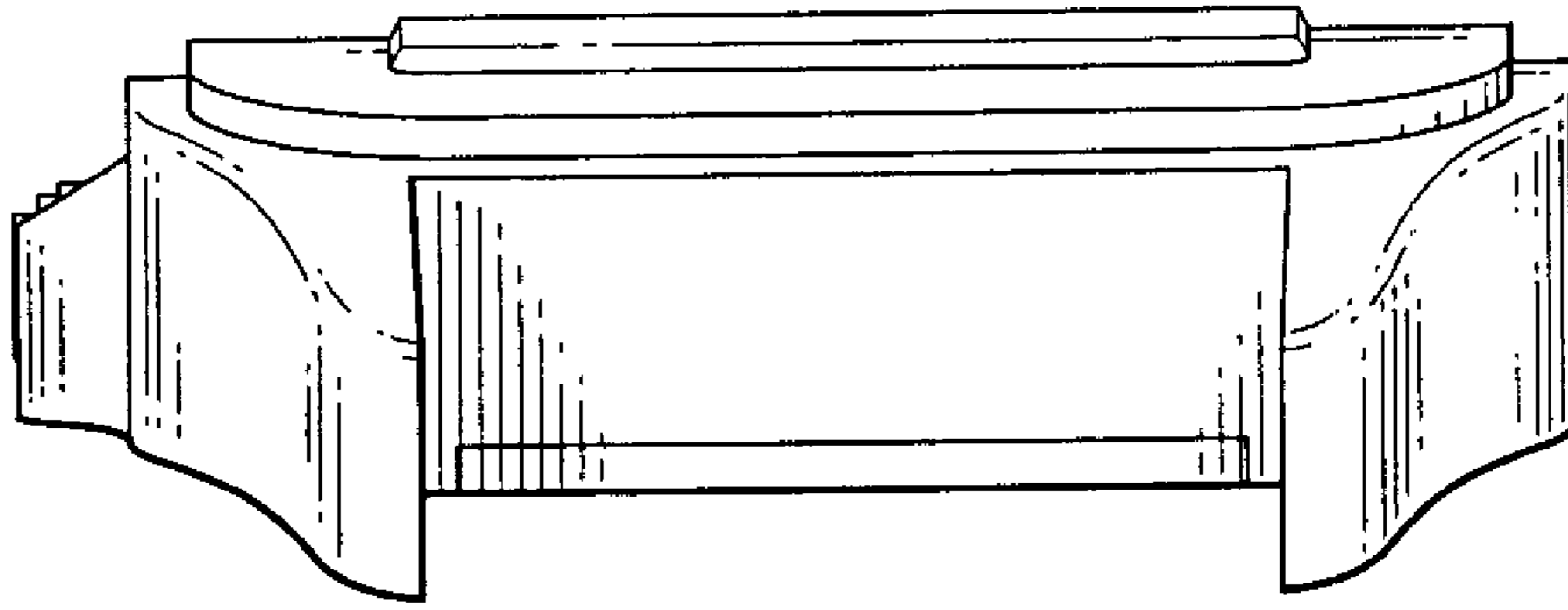


Fig. 6

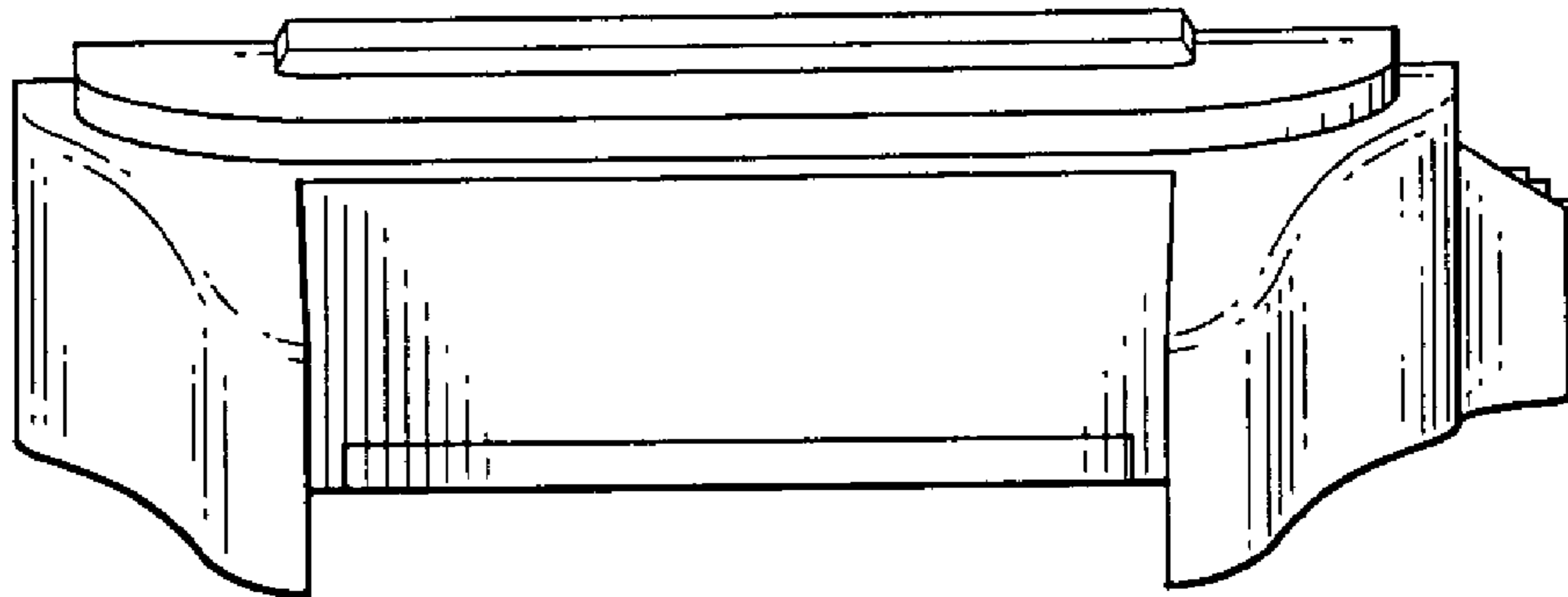


Fig. 7

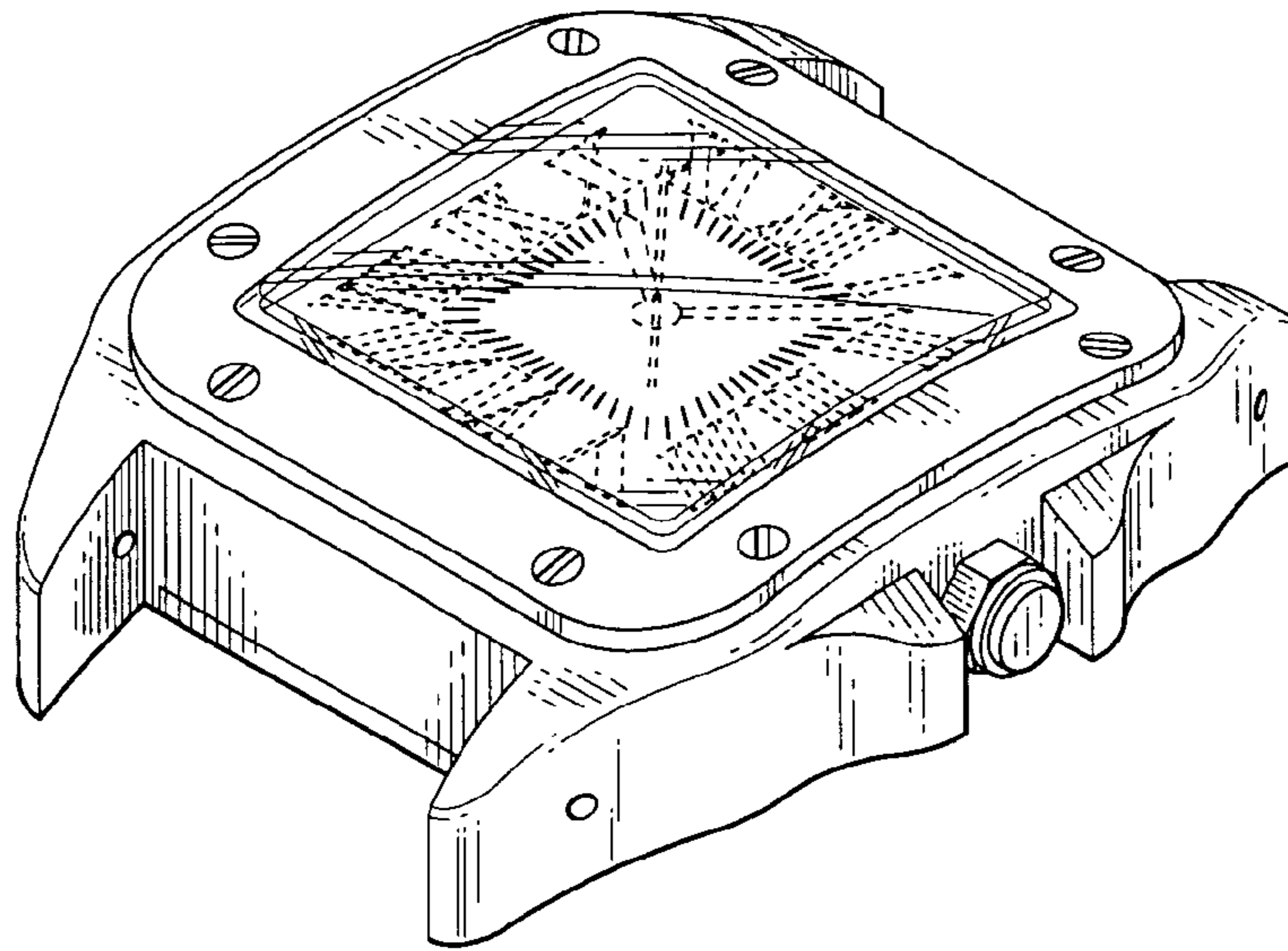


Fig. 8

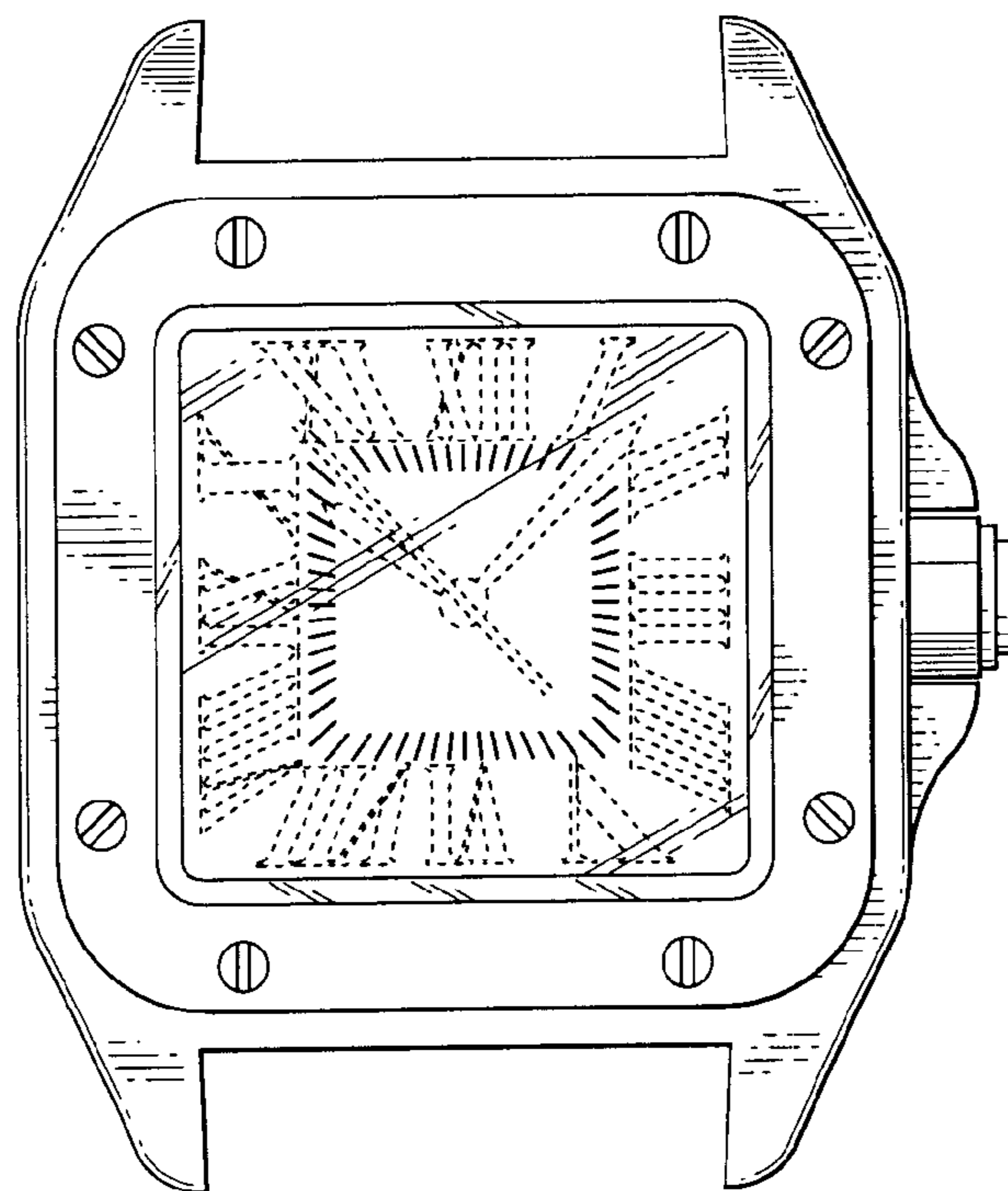


Fig. 9