

US00D508418S

(12) **United States Design Patent**
Kraft

(10) **Patent No.:** **US D508,418 S**

(45) **Date of Patent:** **** Aug. 16, 2005**

(54) **WATCH**

(76) **Inventor:** **Anton Kraft**, Platzl 15, Pfaffenhofen (DE), 85276

(**) **Term:** **14 Years**

(21) **Appl. No.:** **29/211,611**

(22) **Filed:** **Aug. 18, 2004**

(51) **LOC (8) Cl.** **10-02**

(52) **U.S. Cl.** **D10/38**

(58) **Field of Search** D10/1-40, 122-132;
368/41-44, 82-84, 28-30, 239-242, 276-277,
280-282, 285

(56) **References Cited**

U.S. PATENT DOCUMENTS

D298,414 S	*	11/1988	Dawson, Jr.	D10/15
D298,609 S	*	11/1988	Dawson, Jr.	D10/15
D302,664 S	*	8/1989	Dawson, Jr.	D10/38
D315,689 S	*	3/1991	Pandel	D10/39
D320,750 S	*	10/1991	Kawashima	D10/39
D355,381 S	*	2/1995	Reich	D10/39
D389,070 S	*	1/1998	Galli	D10/30

FOREIGN PATENT DOCUMENTS

DE	M9403468	*	4/1994	D10/32
DE	19820531	*	11/1999	D10/39

OTHER PUBLICATIONS

European Jeweler—Jun. 1973—p. 28—Watch at Bottom-Center.*

* cited by examiner

Primary Examiner—Nelson C. Holtje

(74) *Attorney, Agent, or Firm*—Domingue & Waddell, PLC

(57) **CLAIM**

The ornamental design for a watch, as shown and described.

DESCRIPTION

FIG. 1 is a side perspective view of the first embodiment of the watches of the present invention.

FIG. 2 is a front perspective view of the watches embodiment of FIG. 1.

FIG. 3 is a first side view of the watches embodiment of FIG. 1.

FIG. 4 is a second side view of the watches embodiment of FIG. 1.

FIG. 5 is a side perspective view of the second embodiment of the watches of the present invention.

FIG. 6 is a front perspective view of the watches embodiment of FIG. 5.

FIG. 7 is a first side view of the watches embodiment of FIG. 5.

FIG. 8 is a second side view of the watches embodiment of FIG. 5.

FIG. 9 is a side perspective view of the third embodiment of the watches of the present invention.

FIG. 10 is a front perspective view of the watches embodiment of FIG. 9.

FIG. 11 is a first side view of the watches embodiment of FIG. 9; and,

FIG. 12 is a second side view of the watches embodiment of FIG. 9.

A brief description includes a watch with digital time display, in which the hours are represented by four LED's arranged parallel to each other horizontally, on which the hours are represented as a binary digit. There below, six LED's are arranged horizontally near each other, by which the minutes are displayed as a binary digit.

1 Claim, 6 Drawing Sheets

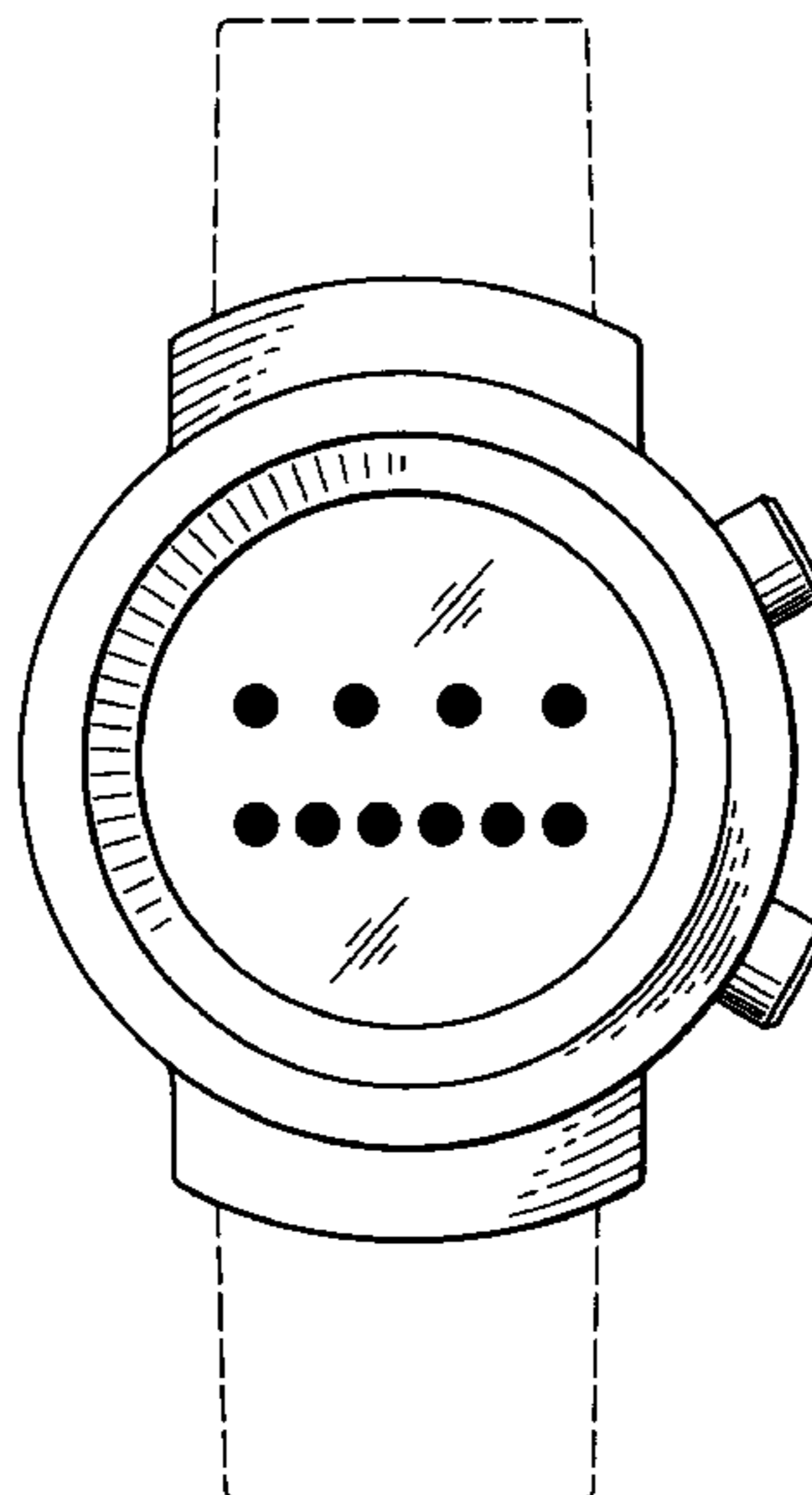


Fig. 1

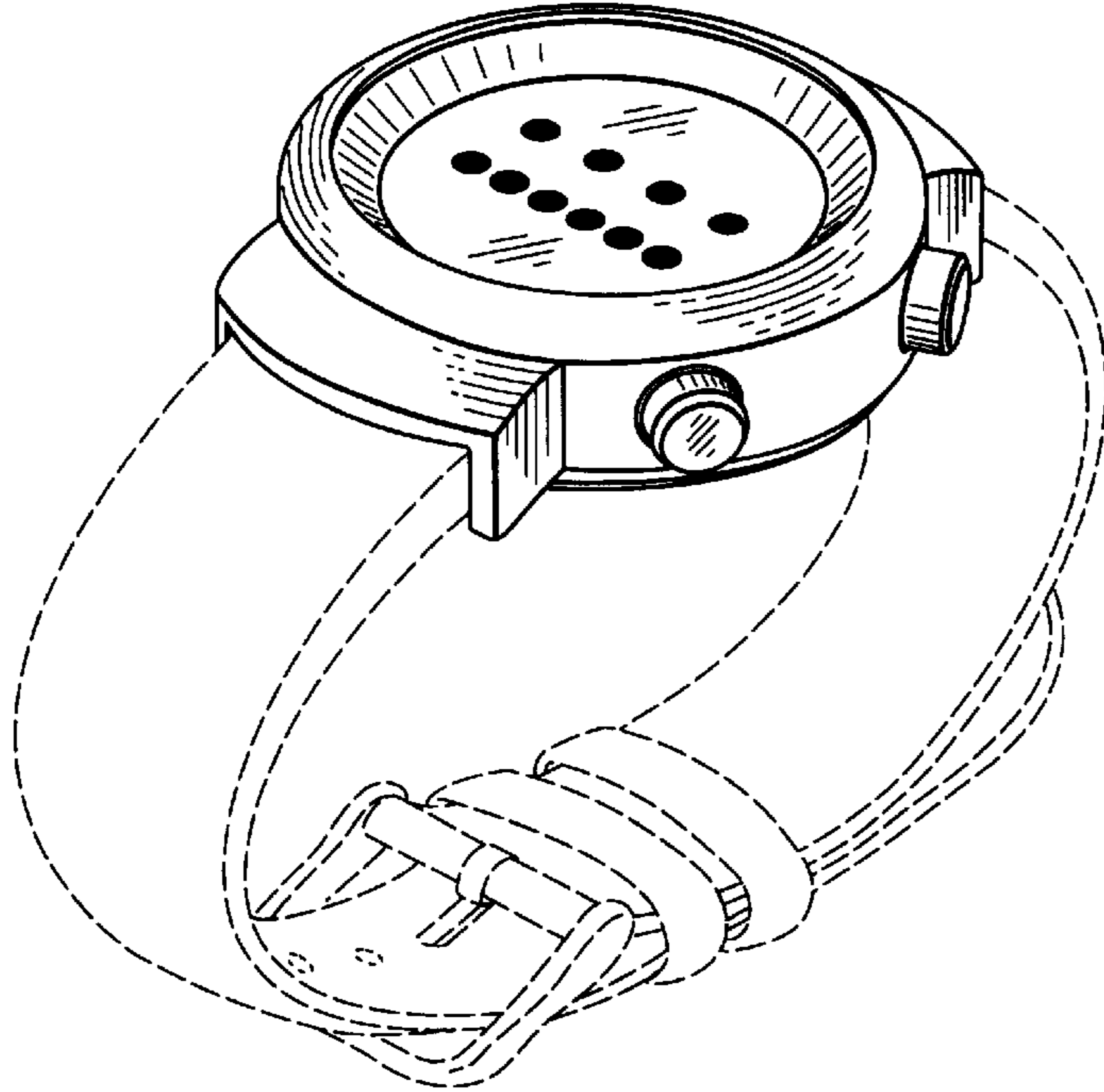


Fig. 2

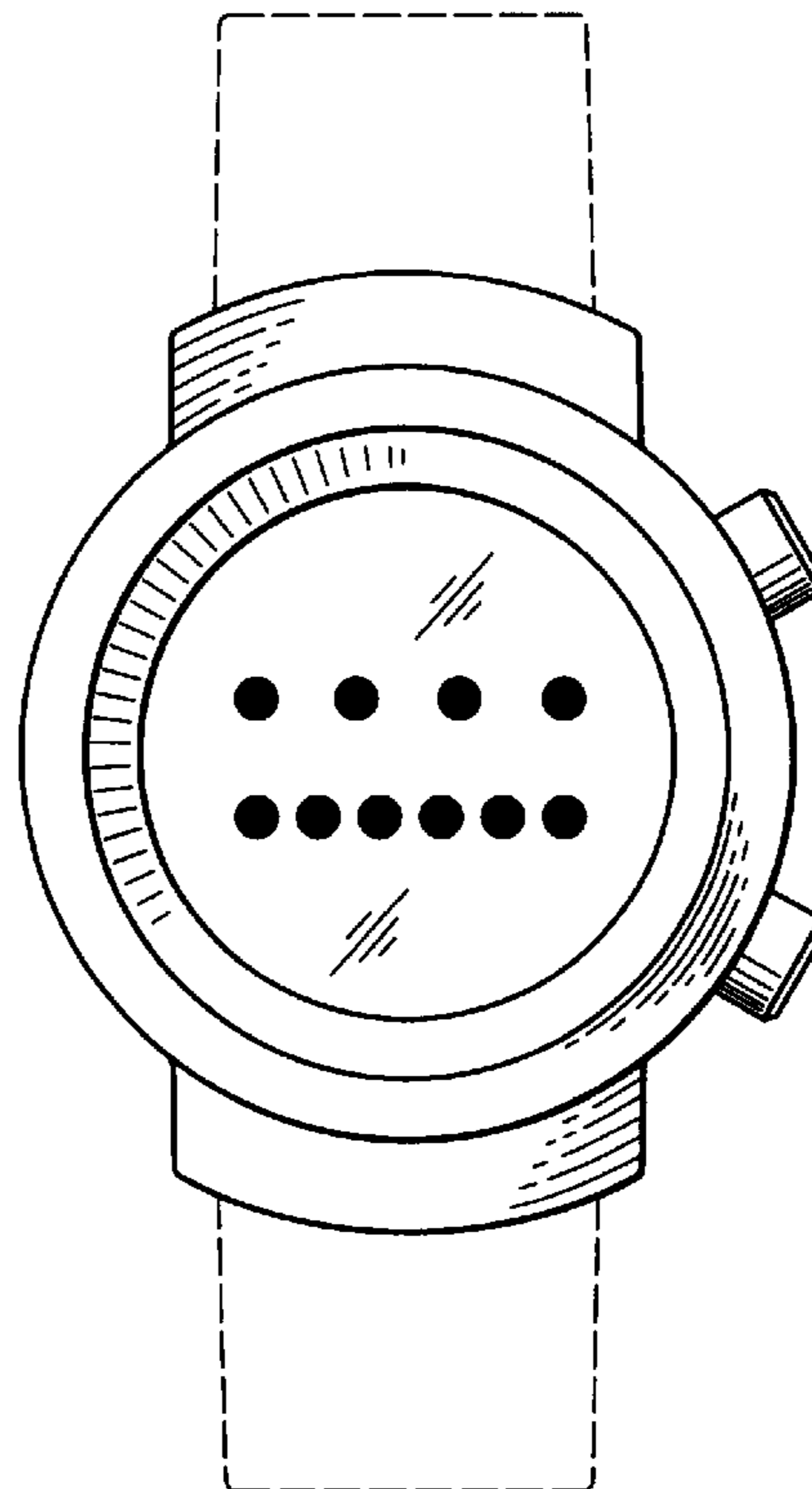


Fig. 3

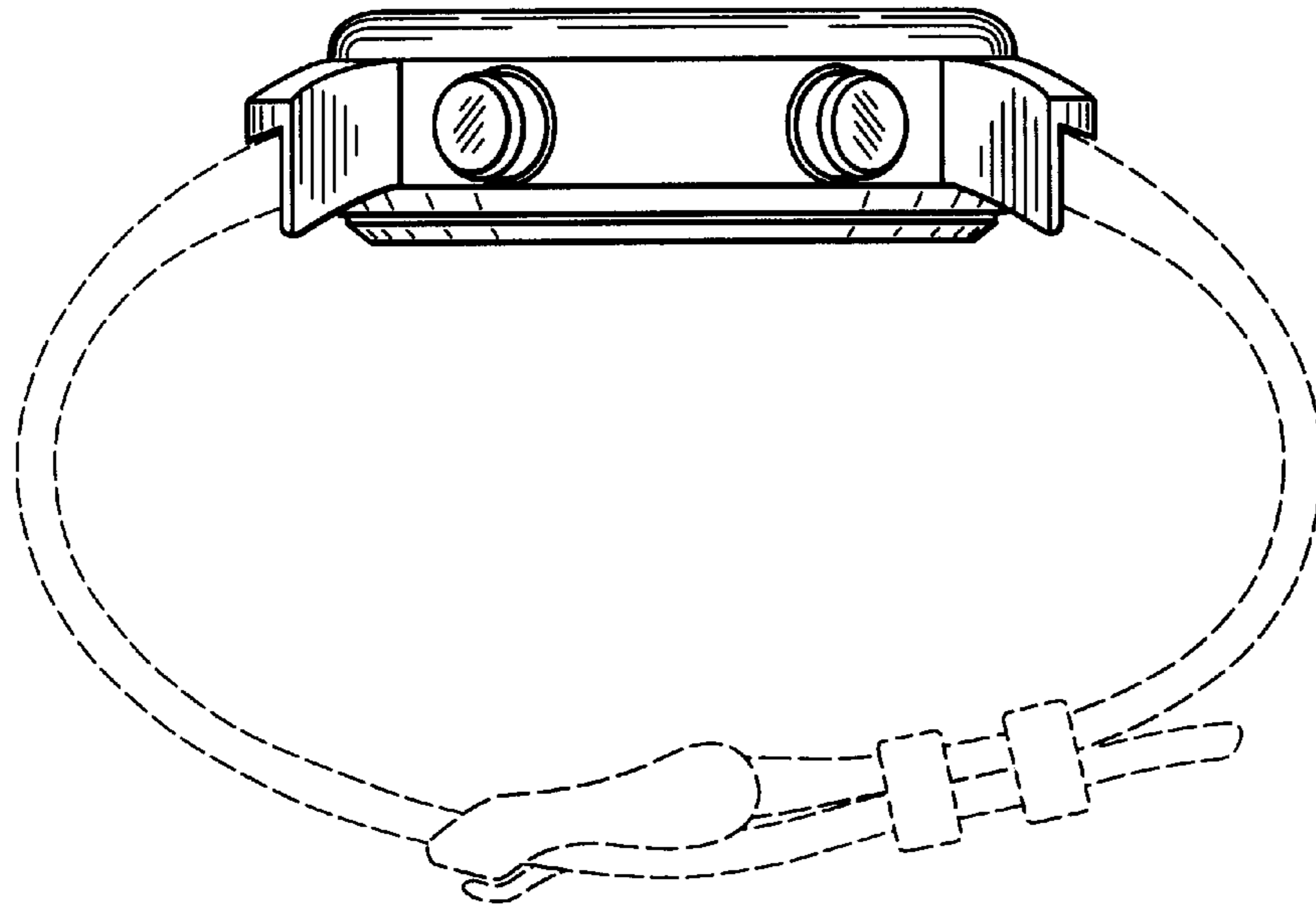


Fig. 4

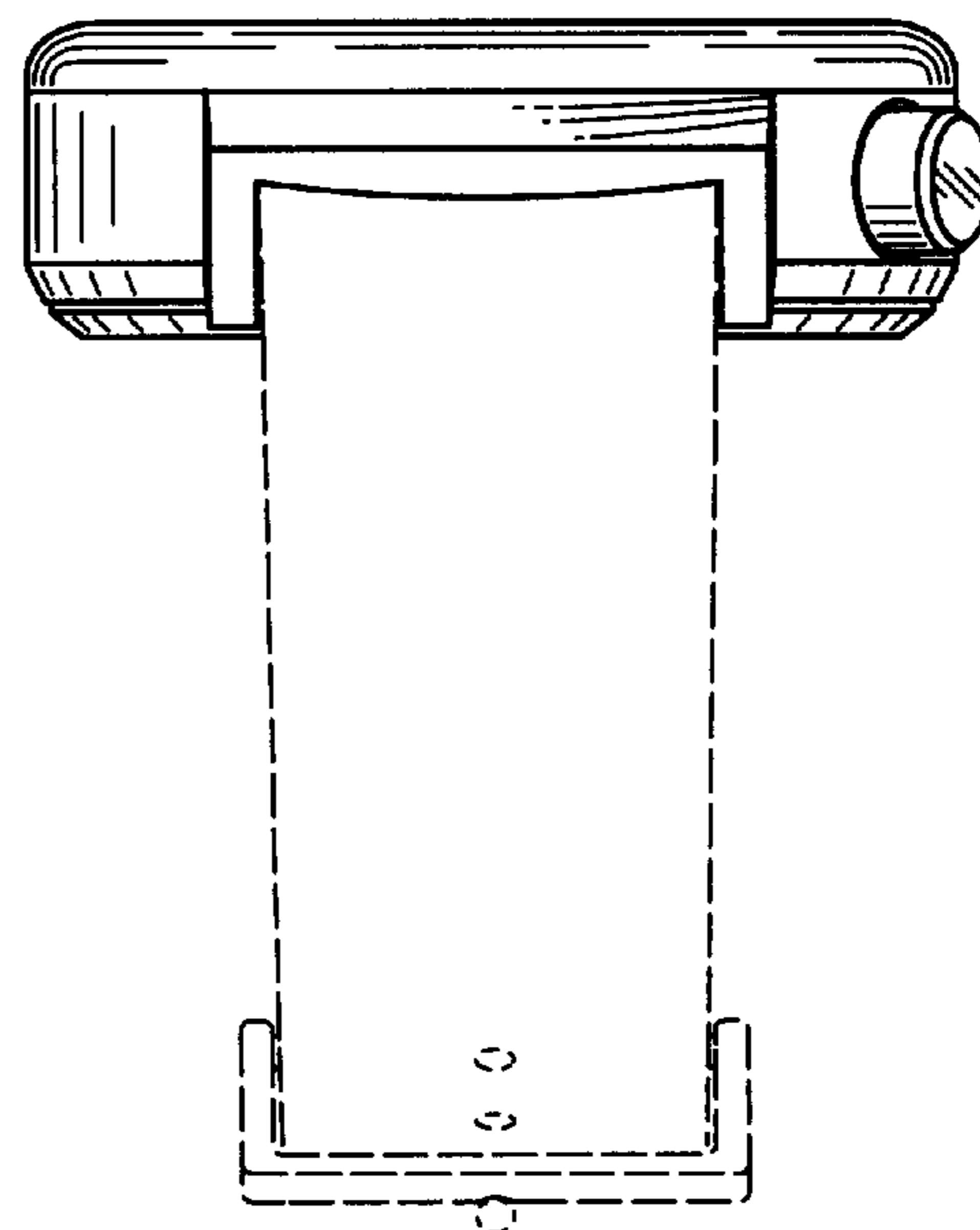


Fig. 5

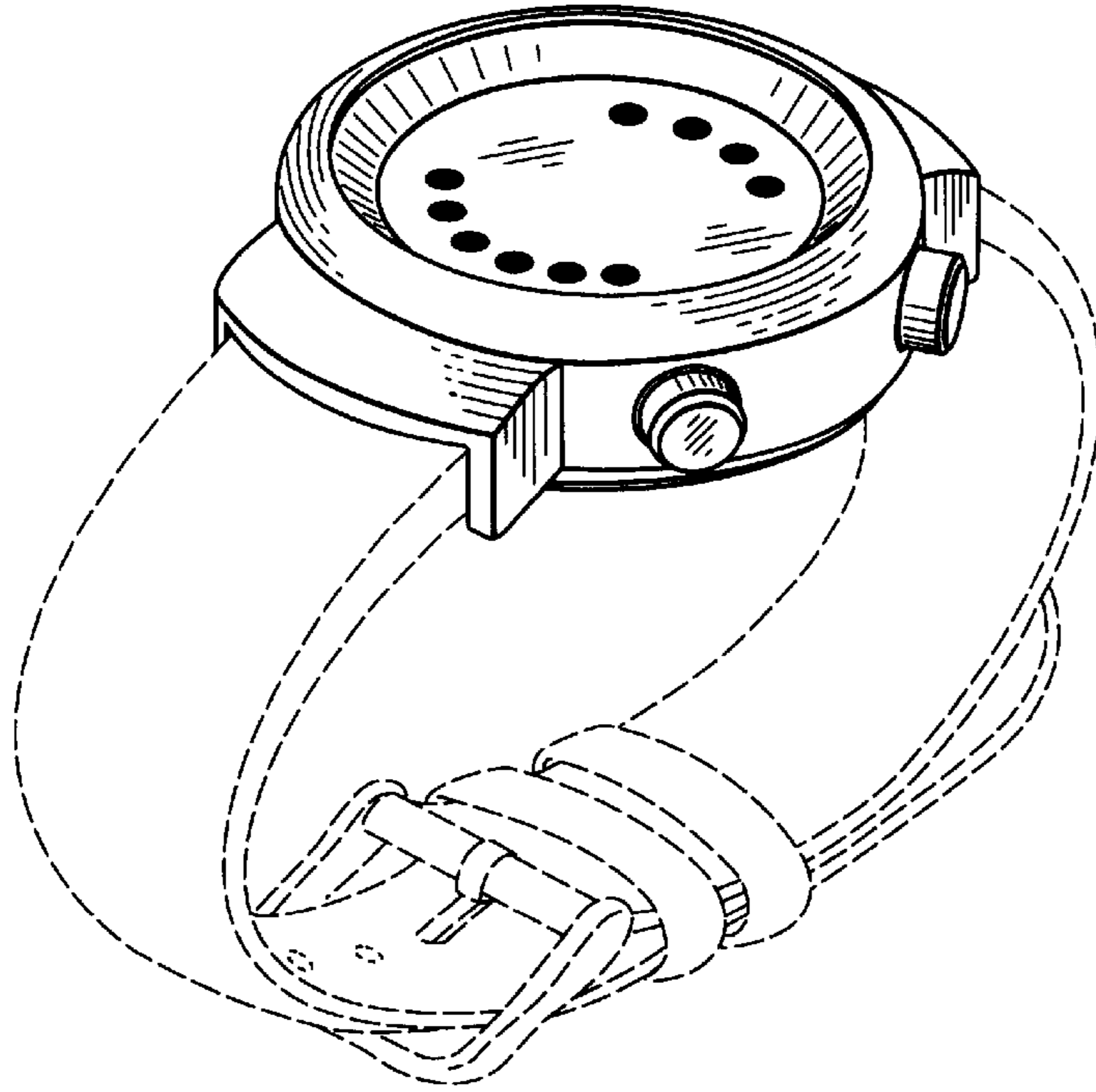


Fig. 6

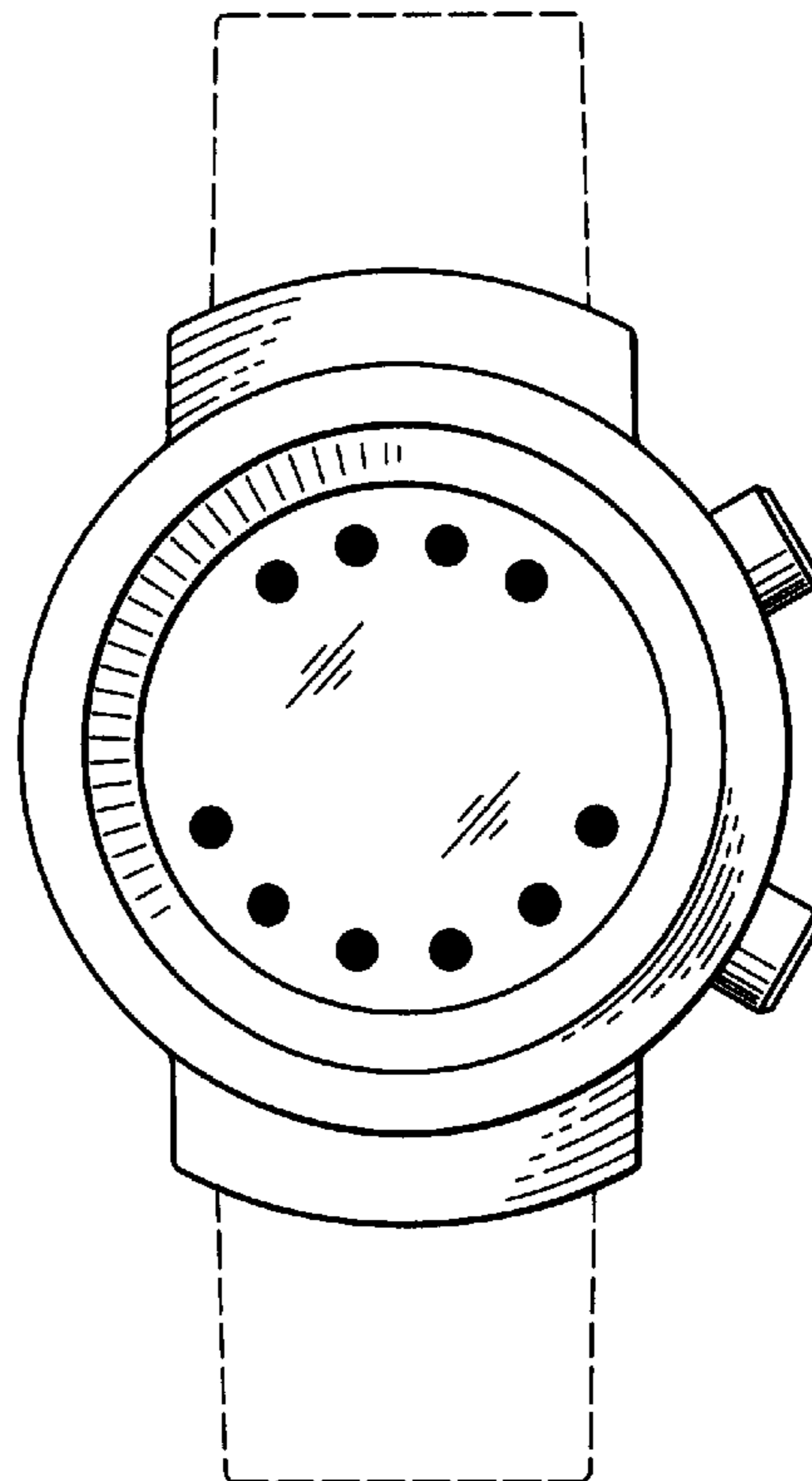


Fig. 7

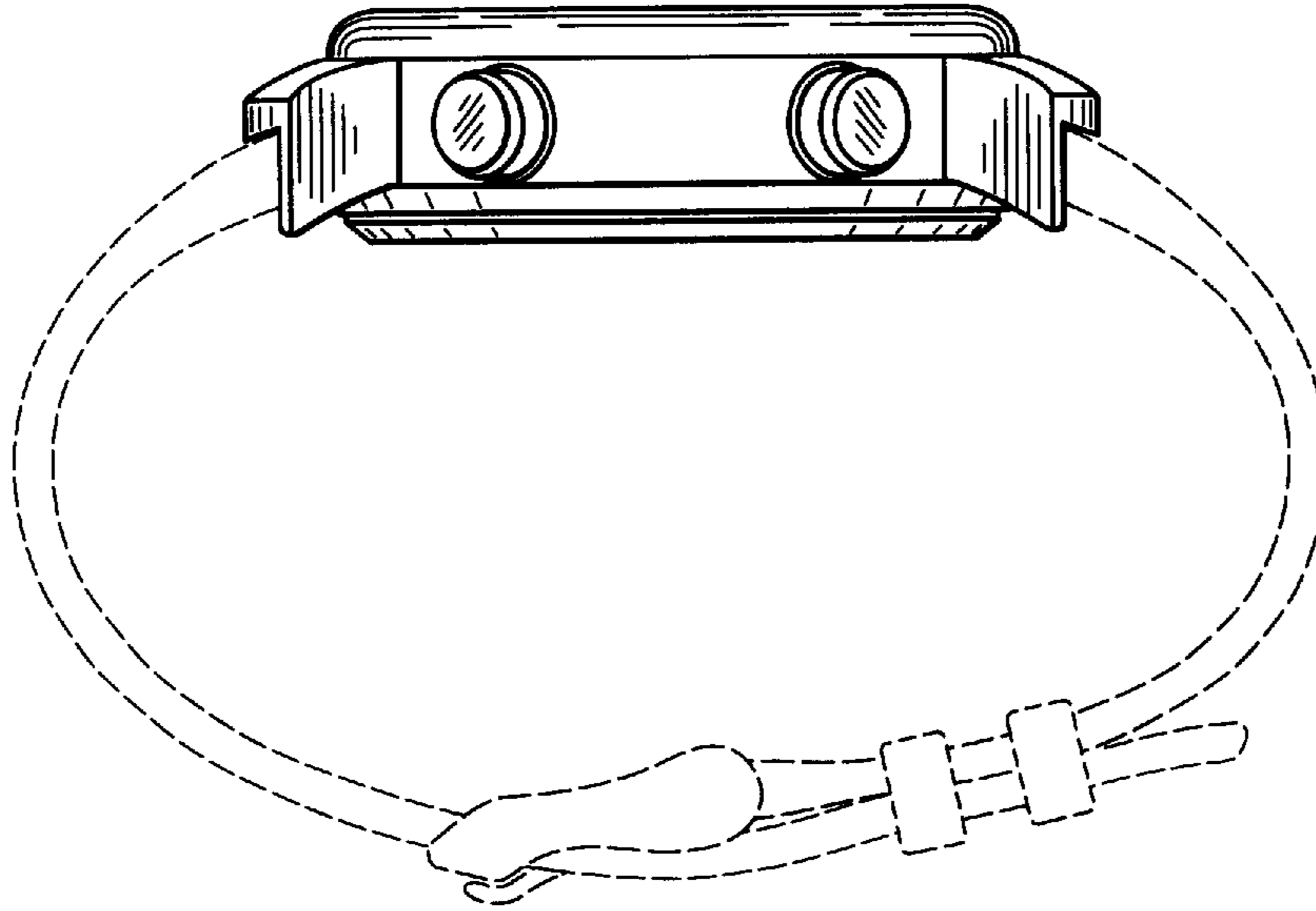


Fig. 8

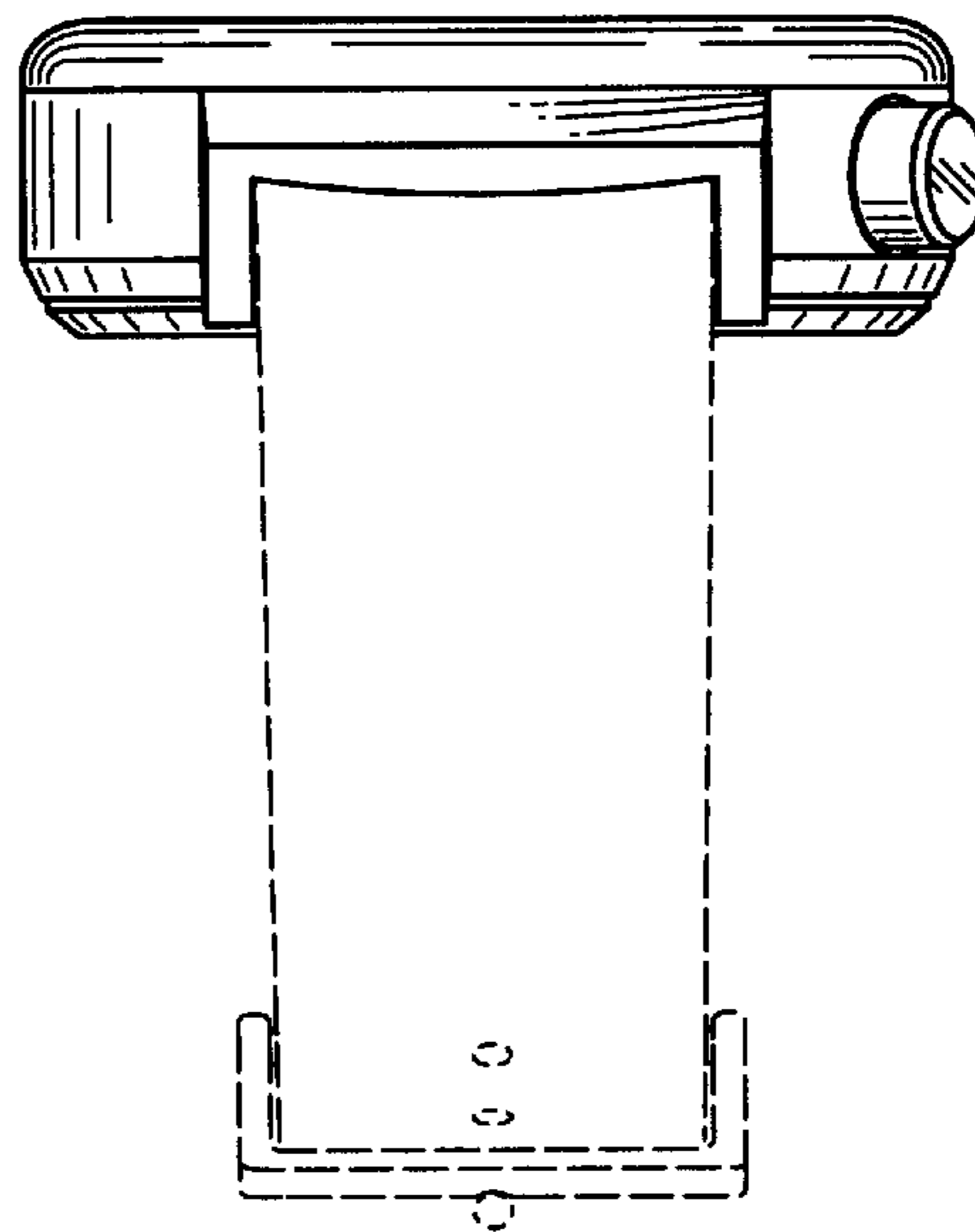


Fig. 9

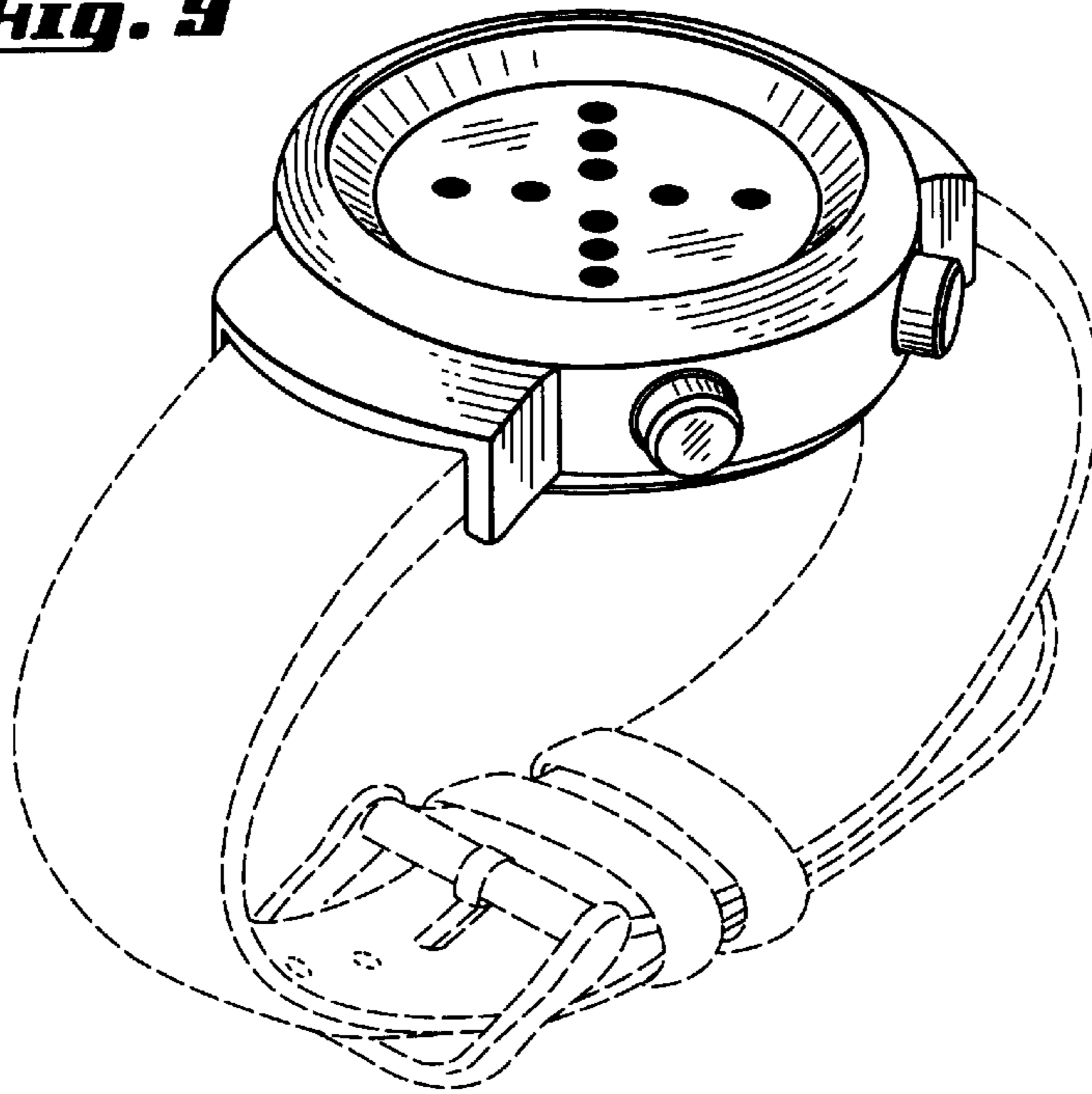


Fig. 10

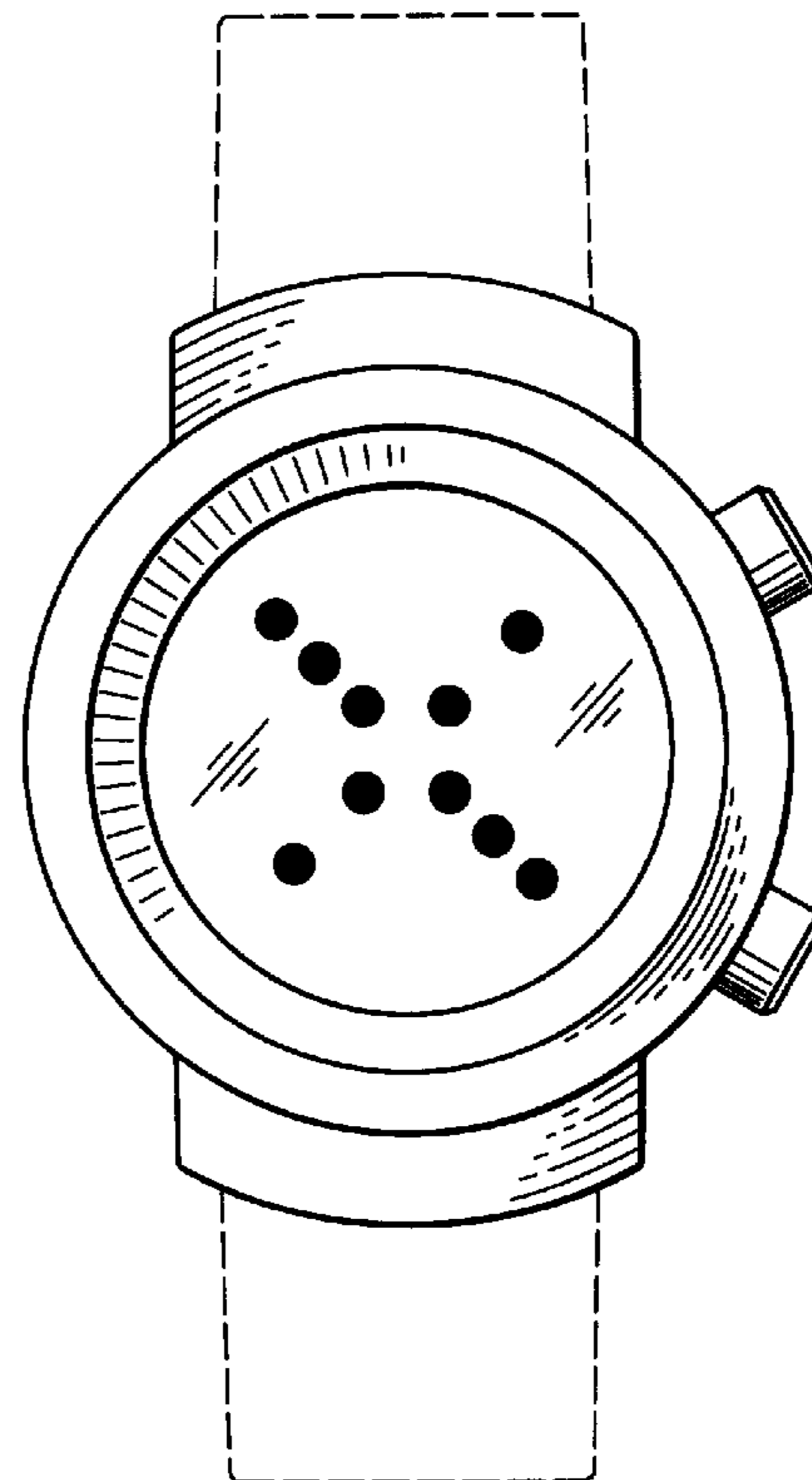


Fig. 11

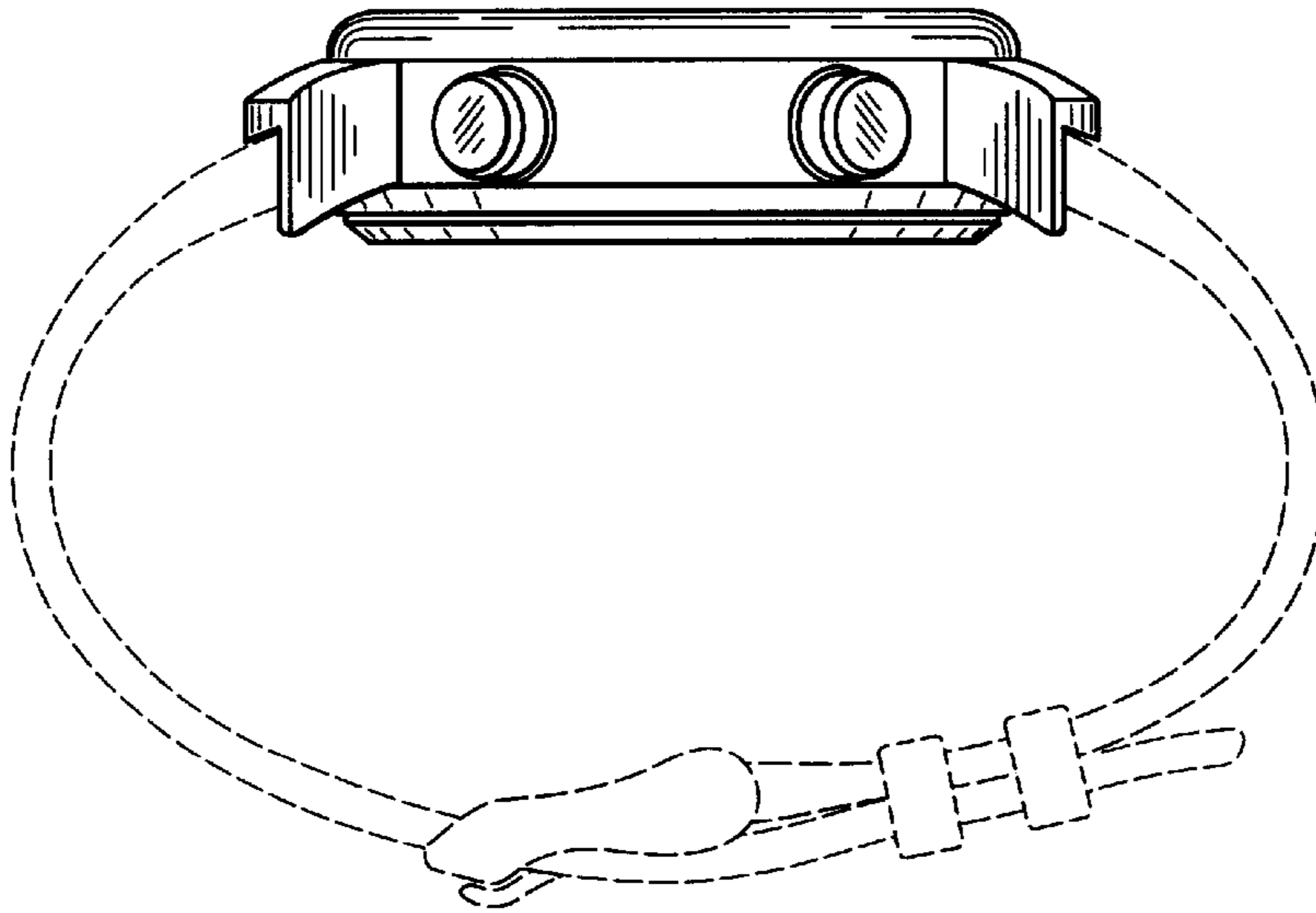


Fig. 12

