

US00D508416S

(12) **United States Design Patent**
Tang

(10) **Patent No.:** **US D508,416 S**

(45) **Date of Patent:** **** Aug. 16, 2005**

(54) **WATCH CASE**

D447,063 S * 8/2001 Scheufele D10/30

(75) **Inventor:** **Zhe Yi Tang**, Hunan Province (CN)

* cited by examiner

(73) **Assignee:** **New Heritage Limited**, Hung Hom Kln. (HK)

Primary Examiner—Nelson C. Holtje

(74) *Attorney, Agent, or Firm*—Thomas I. Rozsa; Tony D. Chen

(**) **Term:** **14 Years**

(57) **CLAIM**

(21) **Appl. No.:** **29/212,952**

The ornamental design for a watch case, as shown and described.

(22) **Filed:** **Sep. 10, 2004**

DESCRIPTION

(51) **LOC (8) Cl.** **10-02**

(52) **U.S. Cl.** **D10/30**

(58) **Field of Search** D10/1-40, 122-132;
368/280-282, 276-277, 285, 294-295

FIG. 1 is a perspective view of a watch case, showing my new design;

FIG. 2 is a top plan view;

FIG. 3 is a bottom plan view;

FIG. 4 is a side elevational view when viewed from the right side;

FIG. 5 is a side elevational view when viewed from the left side;

FIG. 6 is a top plan view; and,

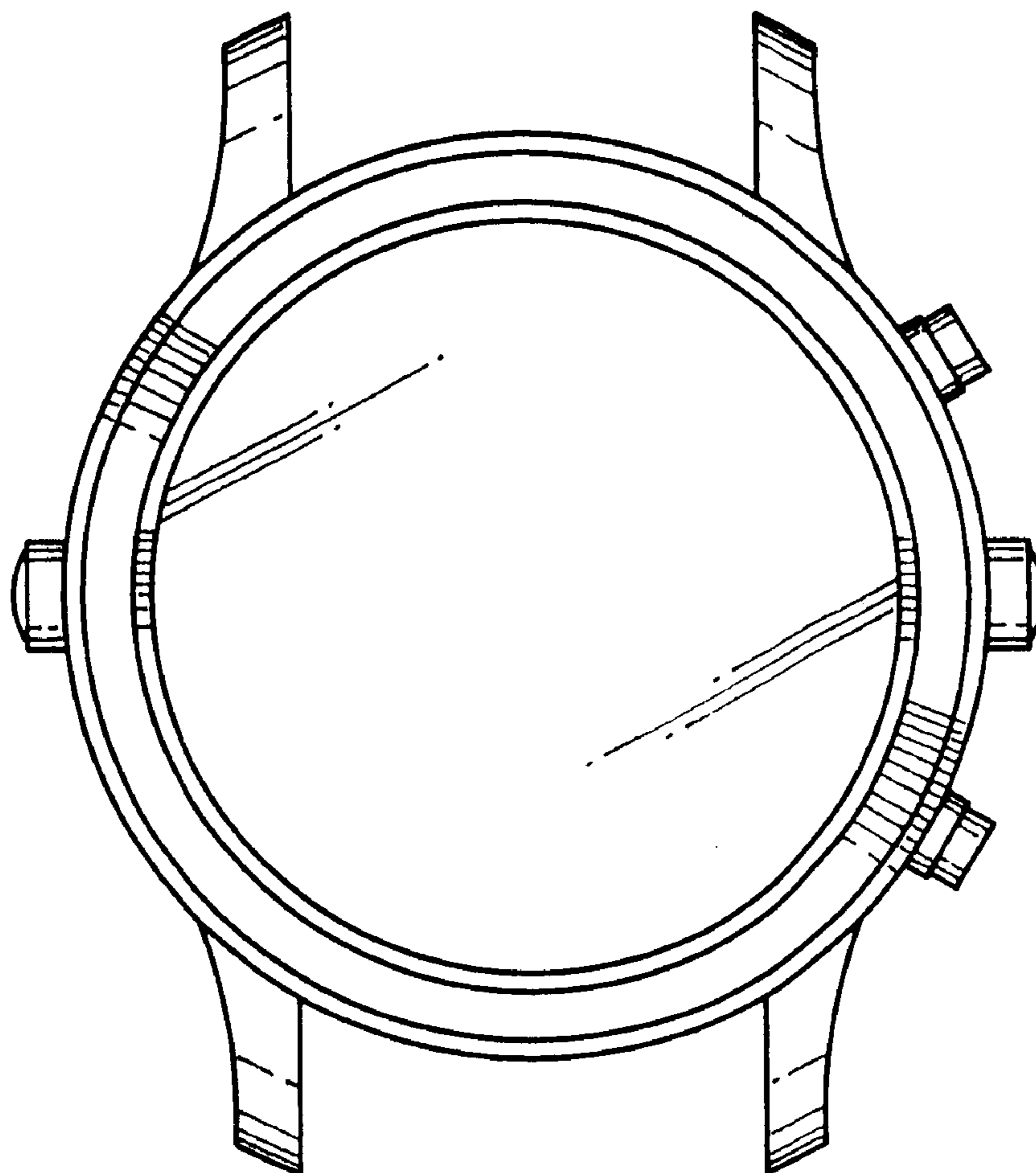
FIG. 7 is a bottom plan view, showing my new design.

(56) **References Cited**

U.S. PATENT DOCUMENTS

2,361,563 A	*	10/1944	Pellaton	368/80
D336,616 S	*	6/1993	Gueit	D10/39
D352,470 S	*	11/1994	Besson	D10/39
D388,204 S	*	12/1997	Oba	D10/39
D445,343 S	*	7/2001	Schneider	D10/30

1 Claim, 2 Drawing Sheets



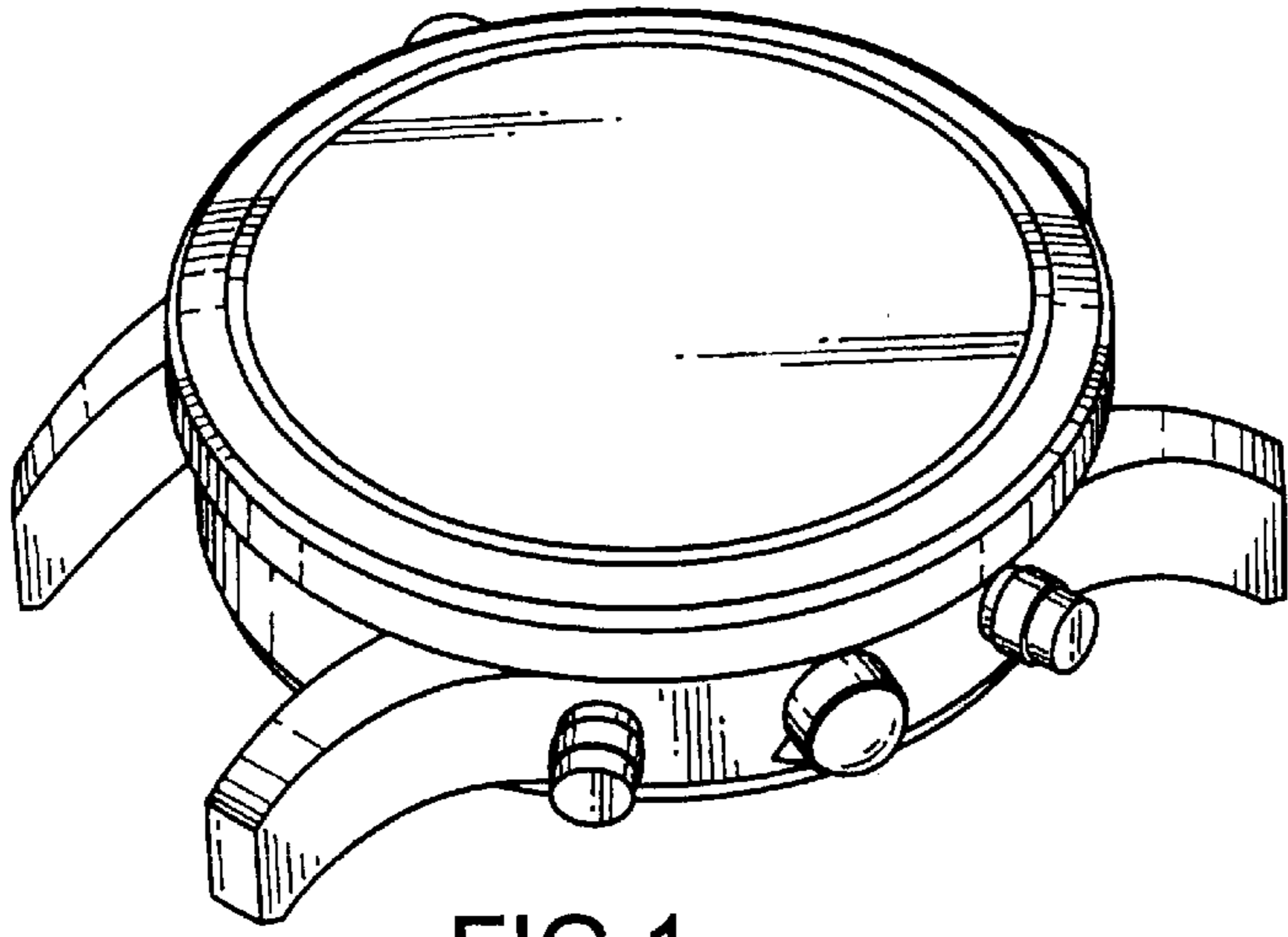


FIG.1

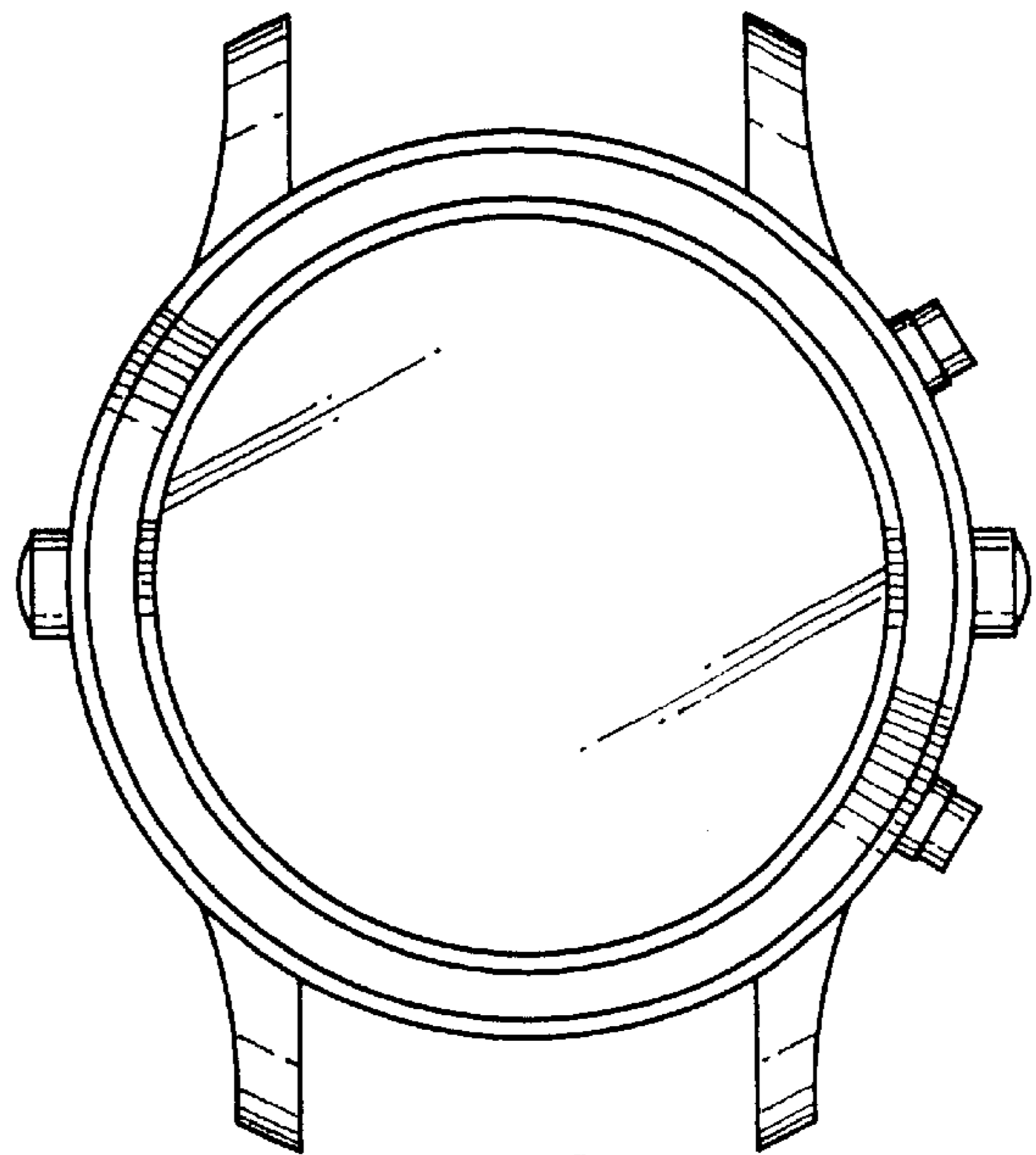


FIG.2

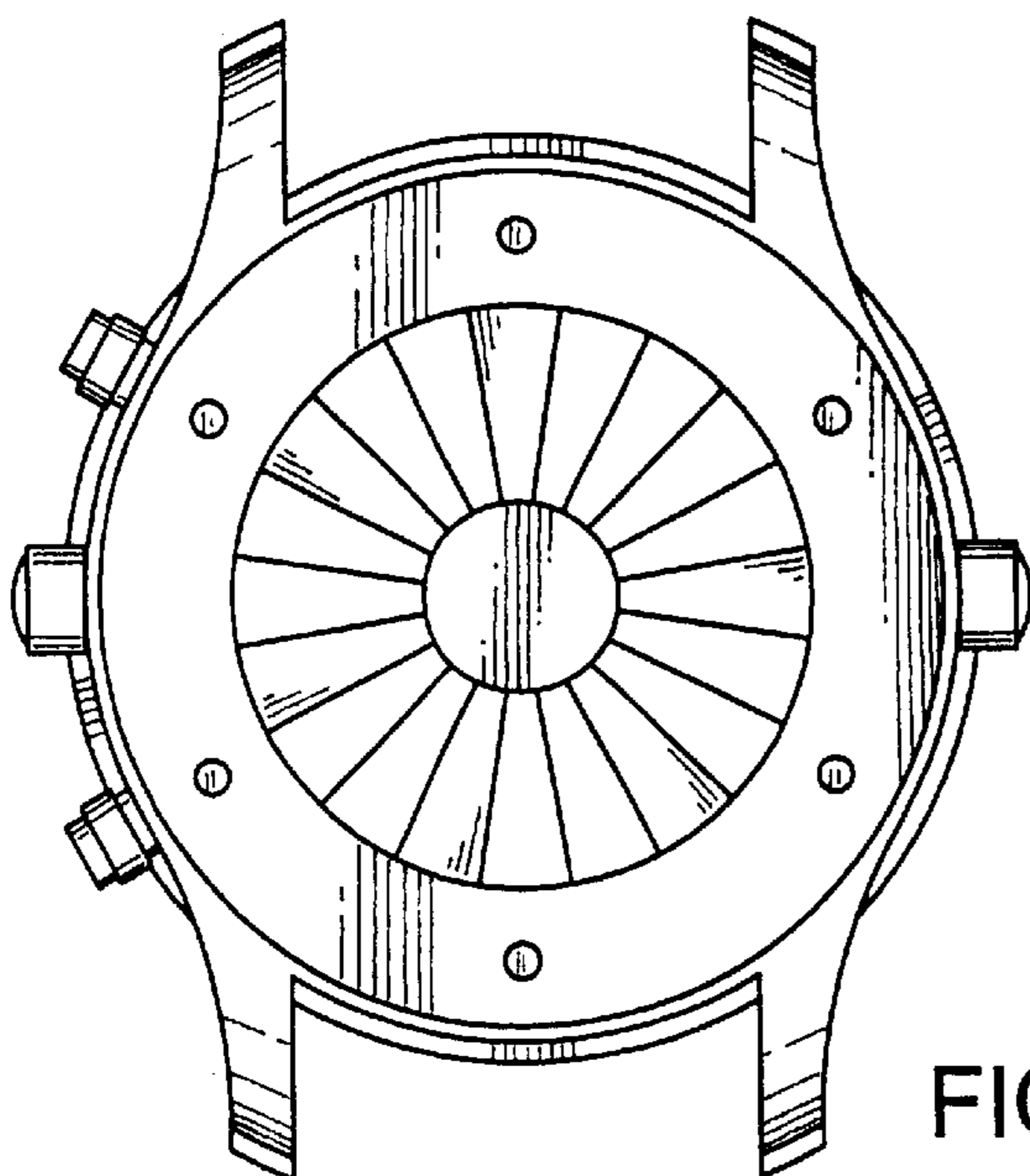


FIG.3

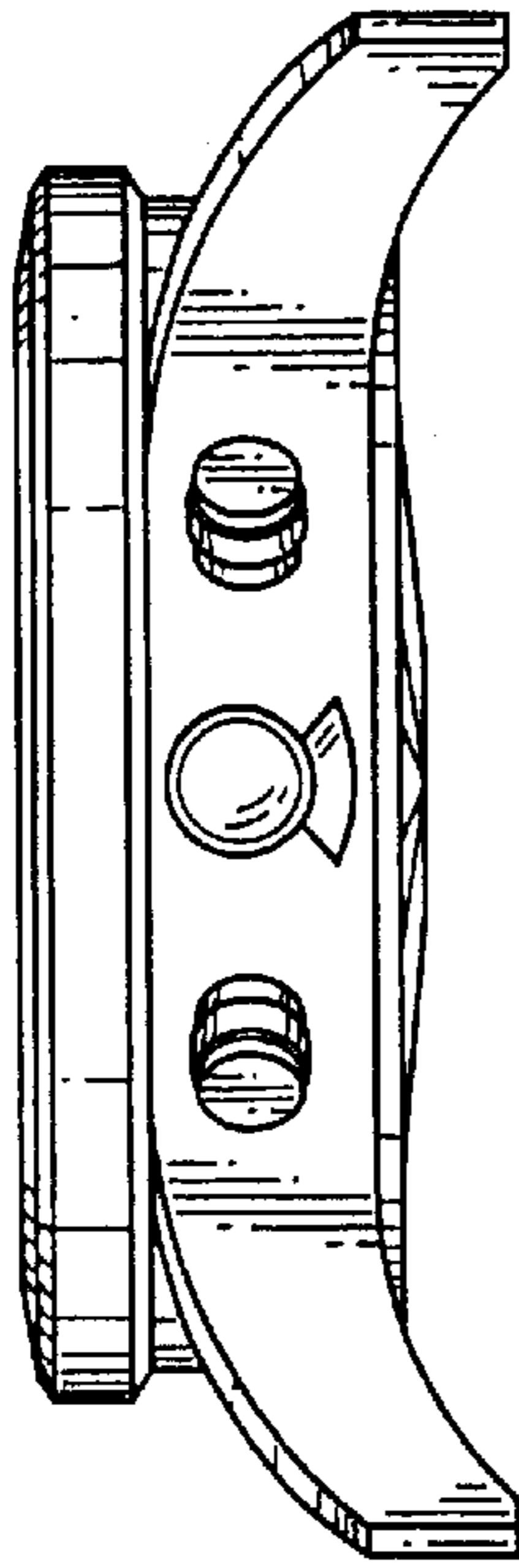


FIG. 4

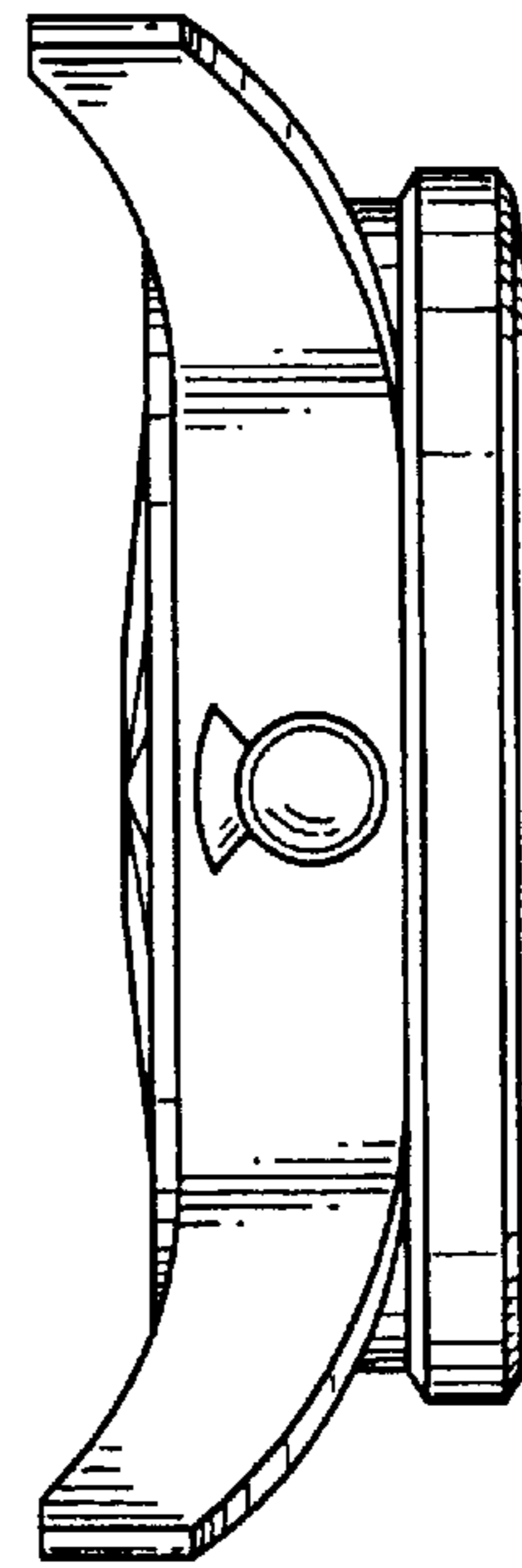


FIG. 5

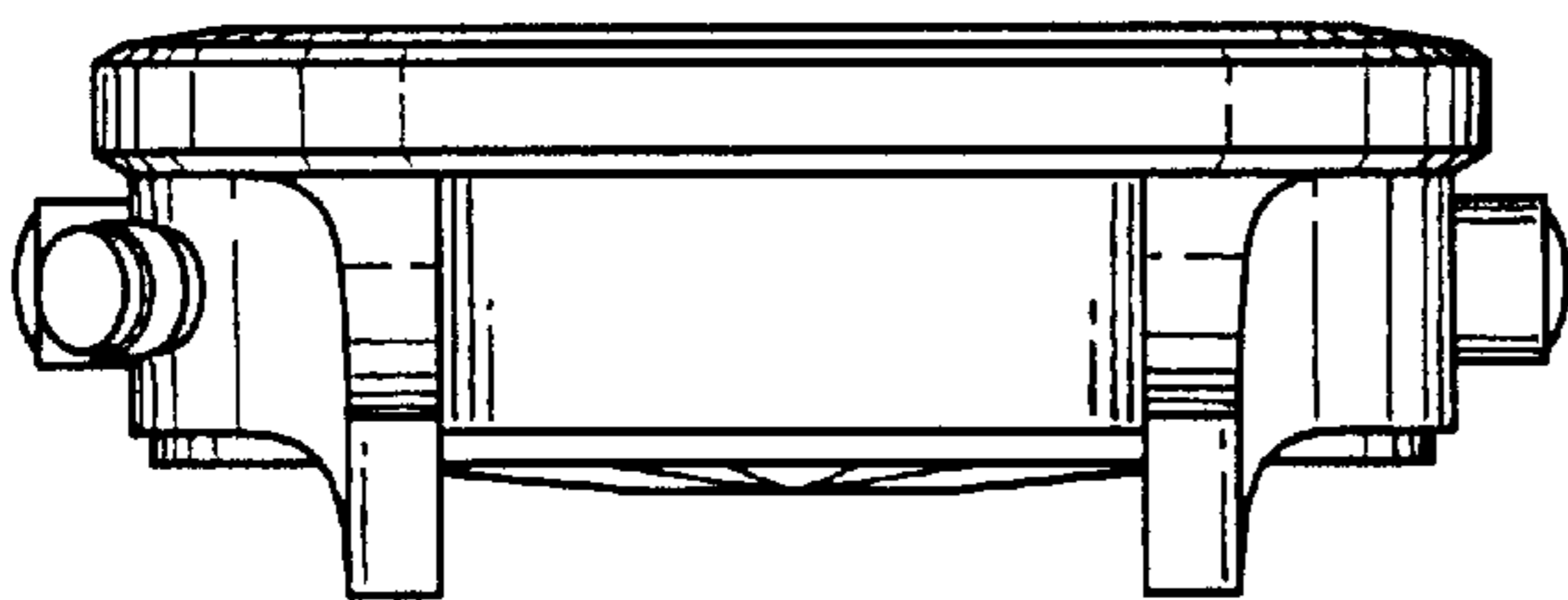


FIG. 6

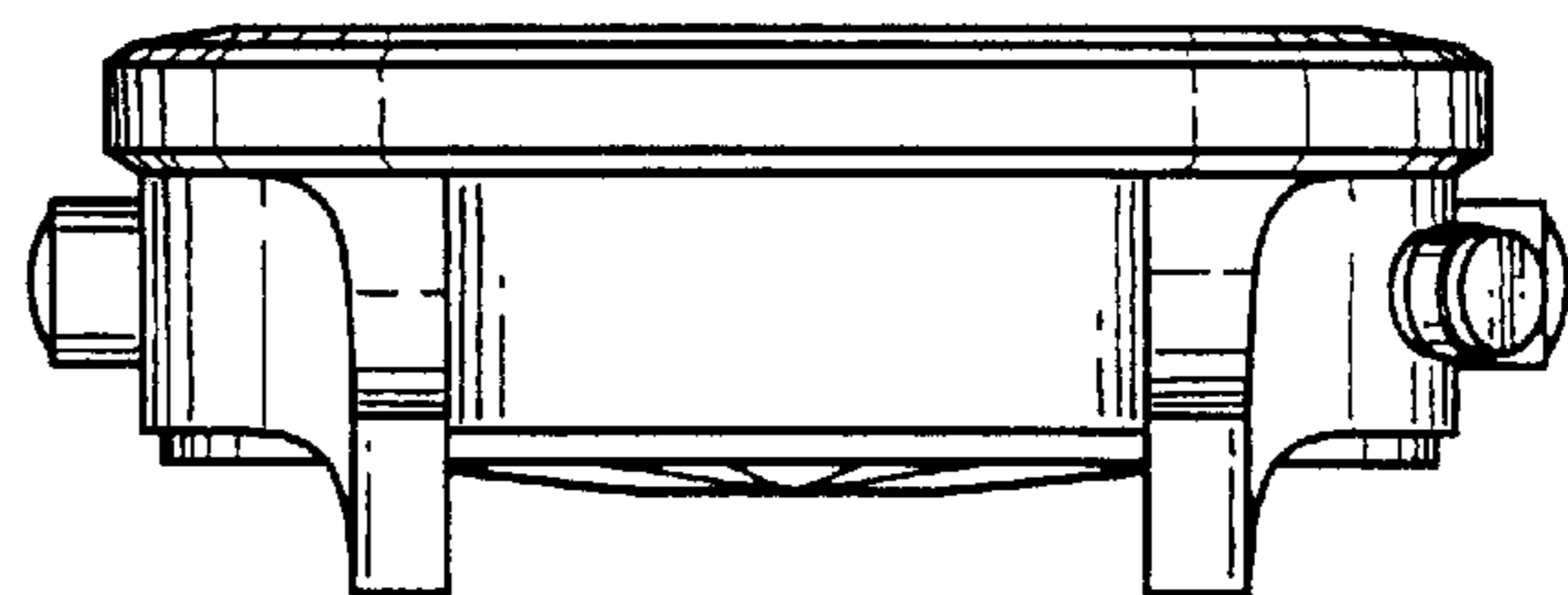


FIG. 7