

US00D508415S

(12) **United States Design Patent**
Kojima et al.

(10) **Patent No.: US D508,415 S**

(45) **Date of Patent: ** Aug. 16, 2005**

(54) **WATCH CASE**

(75) Inventors: **Kazuyasu Kojima**, Hamura (JP);
Shigeru Hanagata, Hachioji (JP)

(73) Assignee: **Casio Computer Co., Ltd.**, Tokyo (JP)

(**) Term: **14 Years**

(21) Appl. No.: **29/209,652**

(22) Filed: **Jul. 19, 2004**

(51) **LOC (8) Cl. 10-02**

(52) **U.S. Cl. D10/30**

(58) **Field of Search D10/30-39; 368/280-282,**
368/276-277, 285, 293-294

(56) **References Cited**

U.S. PATENT DOCUMENTS

D262,609 S	*	1/1982	Kurowsky	D10/39
D262,692 S	*	1/1982	Kurowsky	D10/39
D326,232 S	*	5/1992	Kurebayashi	D10/39
D359,457 S	*	6/1995	Visage	D10/30

OTHER PUBLICATIONS

European Jeweler(GZ)—Apr. 1990—p. 80—Watches at bottom-right.*

* cited by examiner

Primary Examiner—Nelson C. Holtje

(74) *Attorney, Agent, or Firm*—Frishauf, Holtz, Goodman & Chick, P.C.

(57) **CLAIM**

The ornamental design for a watch case, as shown and described.

DESCRIPTION

FIG. 1 is a reduced scale front, right side, bottom perspective view of a watch case showing our new design;

FIG. 2 is a front elevational view thereof;

FIG. 3 is a rear elevational view thereof;

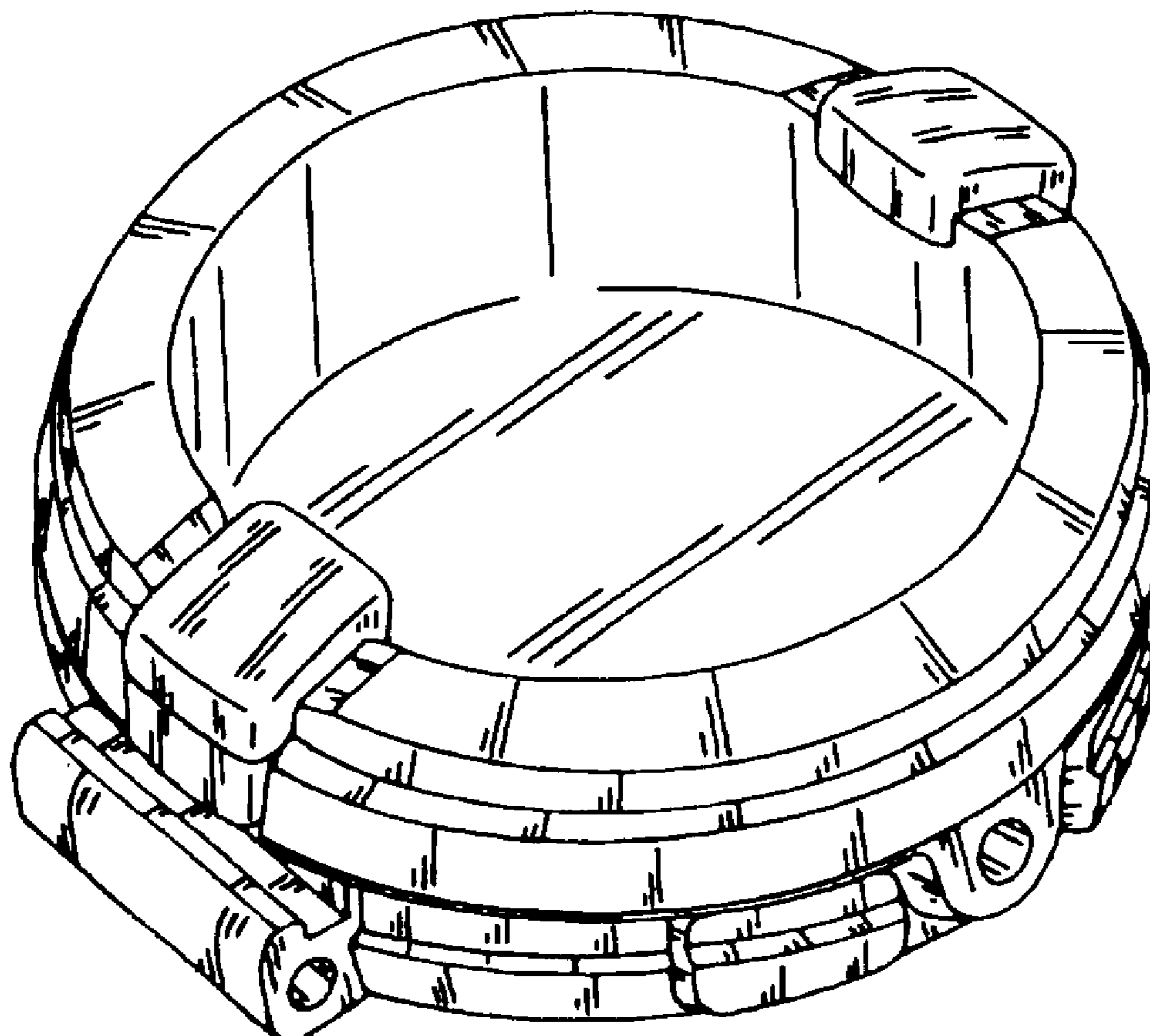
FIG. 4 is a left side view thereof;

FIG. 5 is a right side view thereof;

FIG. 6 is a top plan view thereof; and,

FIG. 7 is a bottom plan view thereof.

1 Claim, 6 Drawing Sheets



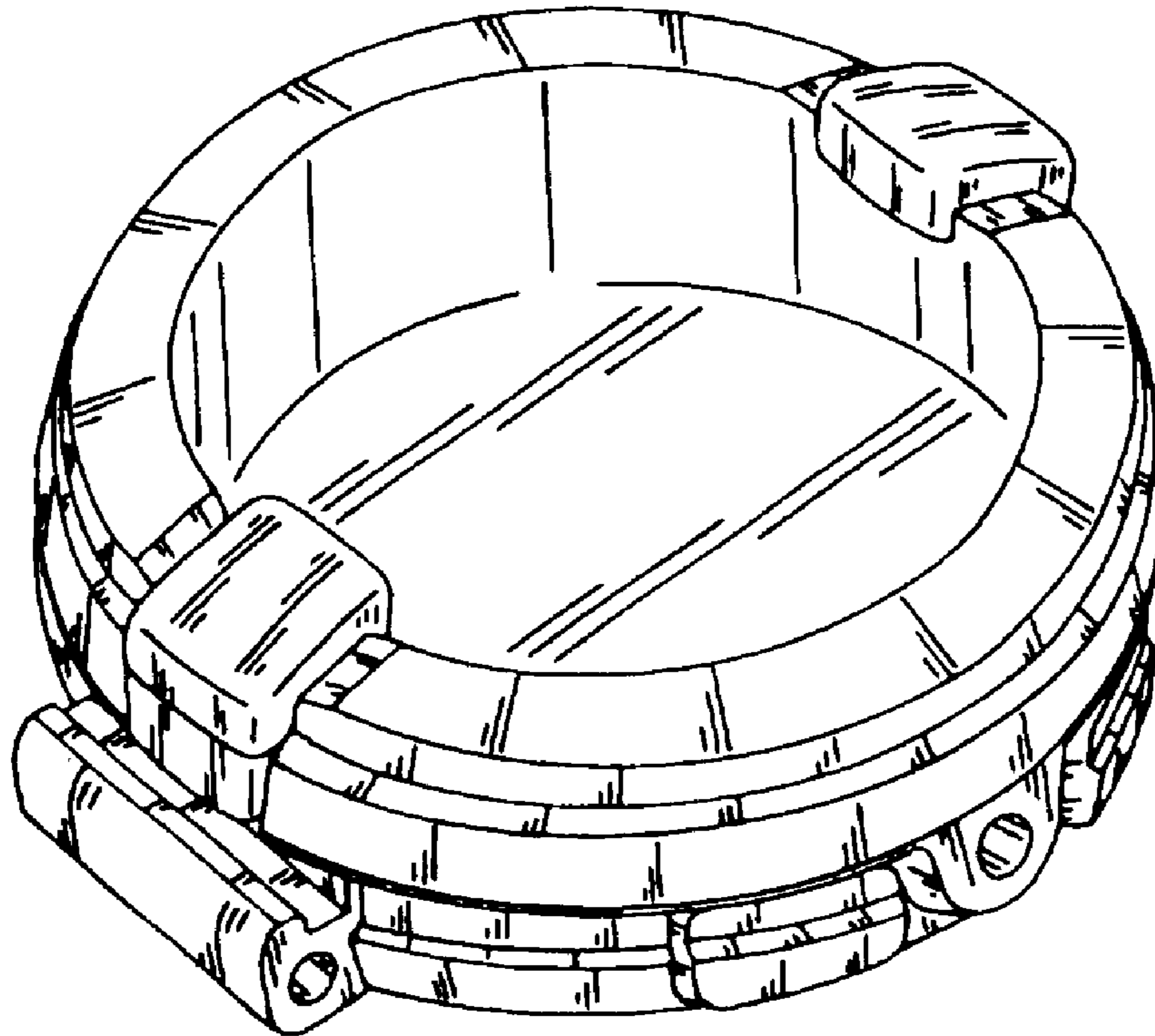


FIG. 1

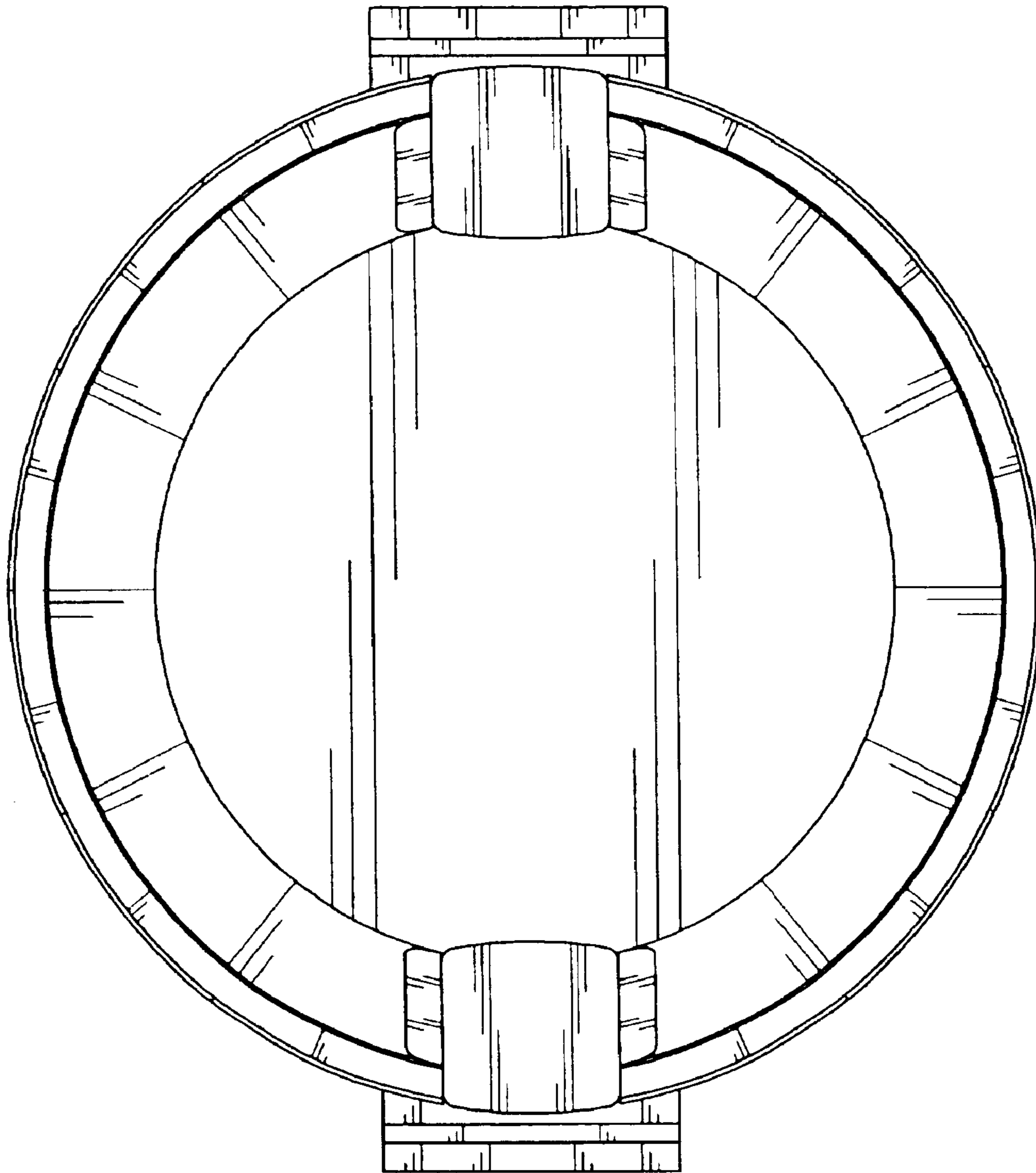


FIG. 2

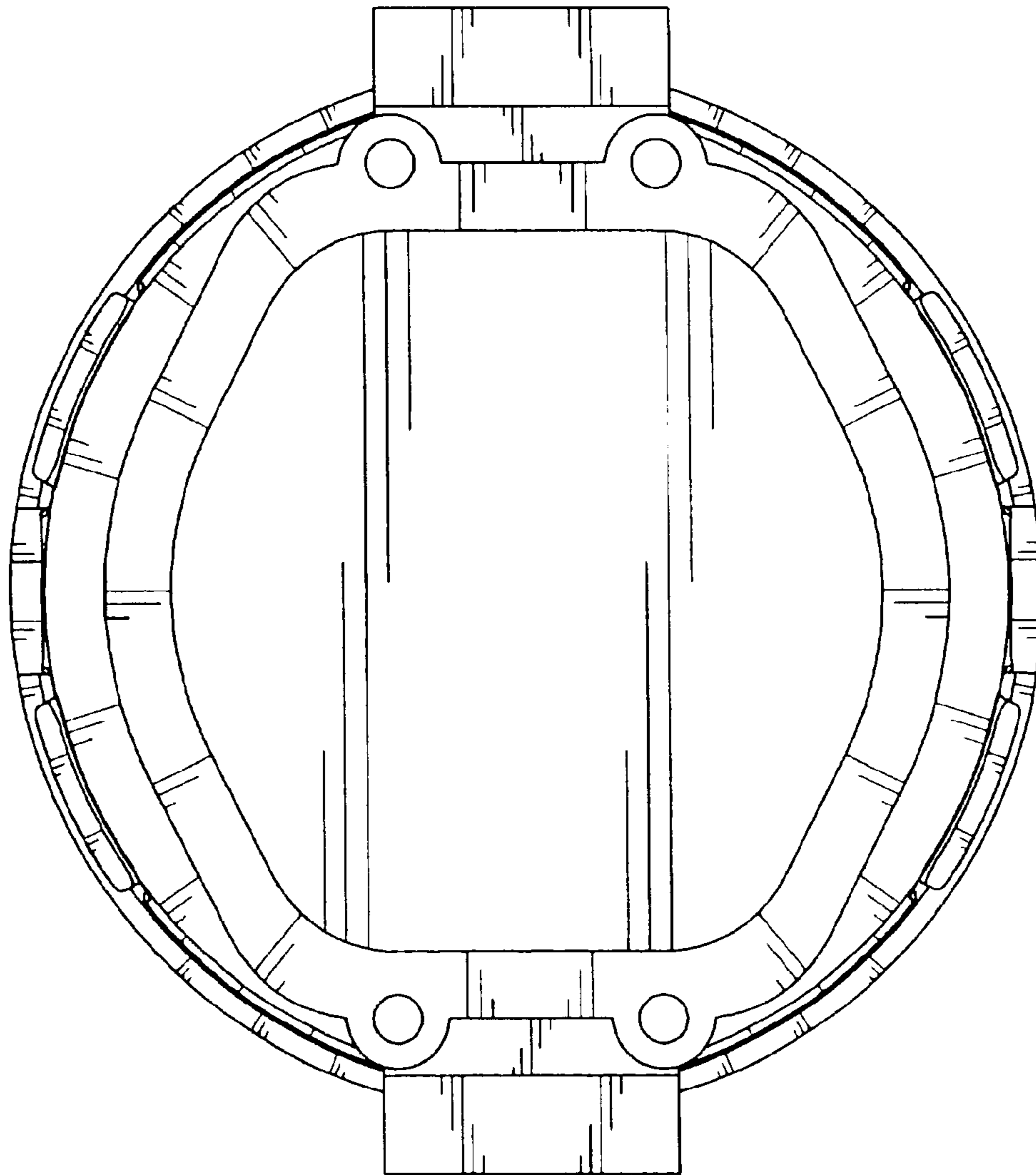


FIG. 3

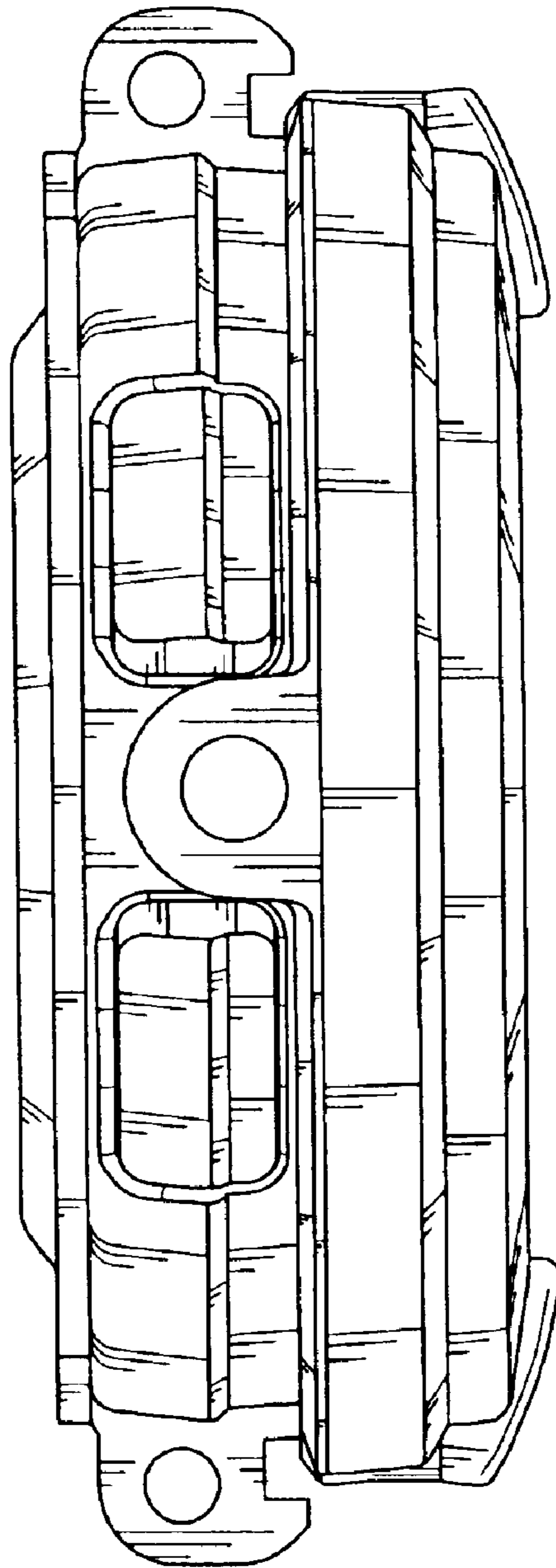


FIG. 4

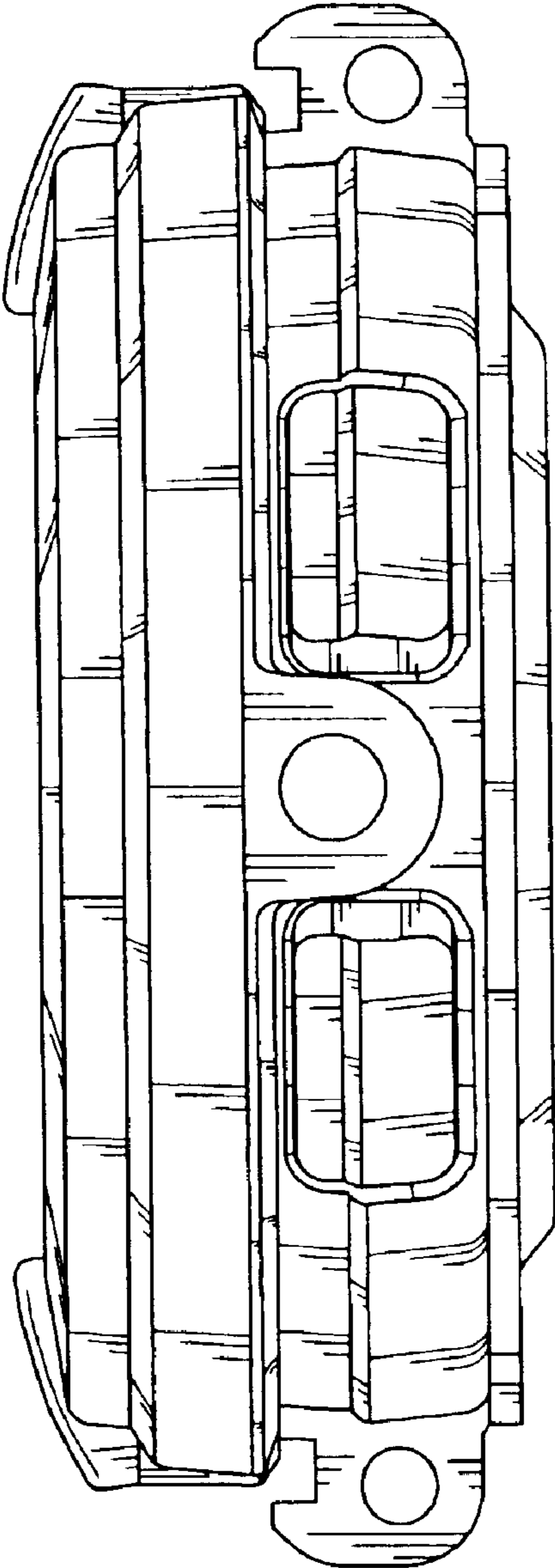


FIG. 5

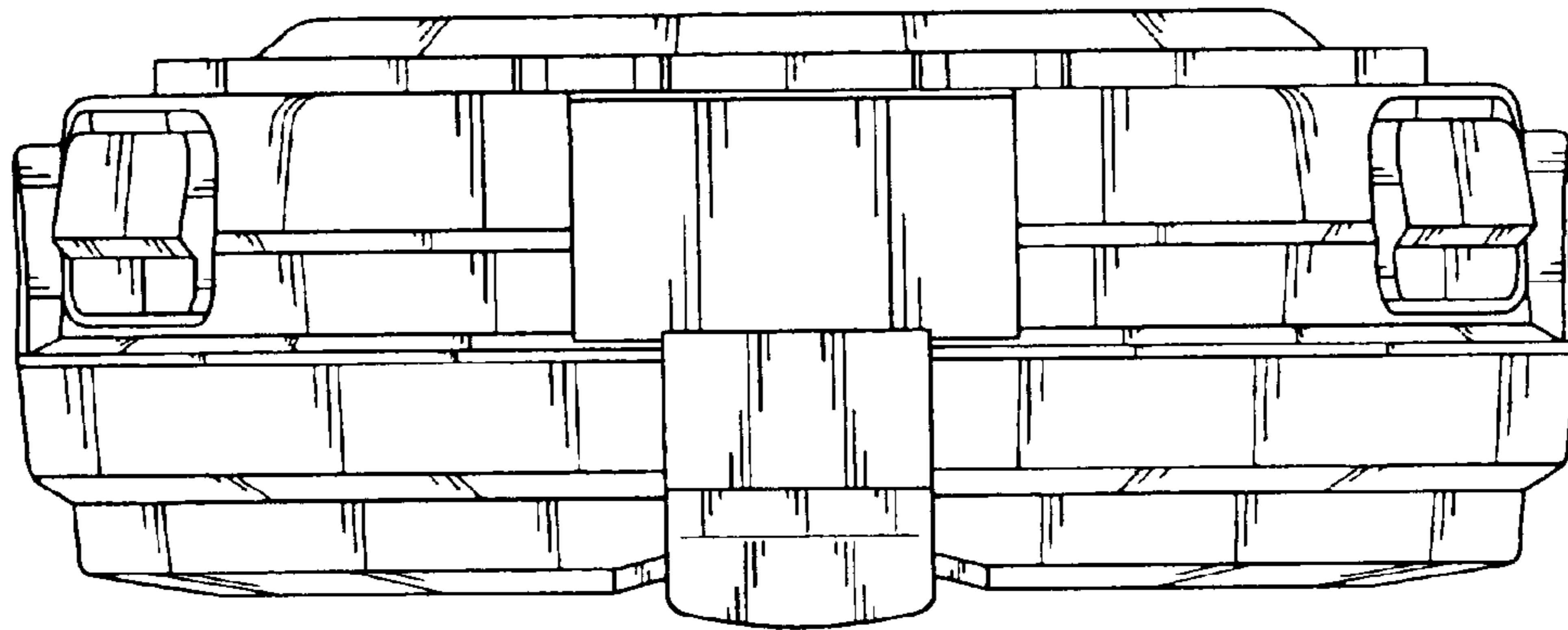


FIG. 6

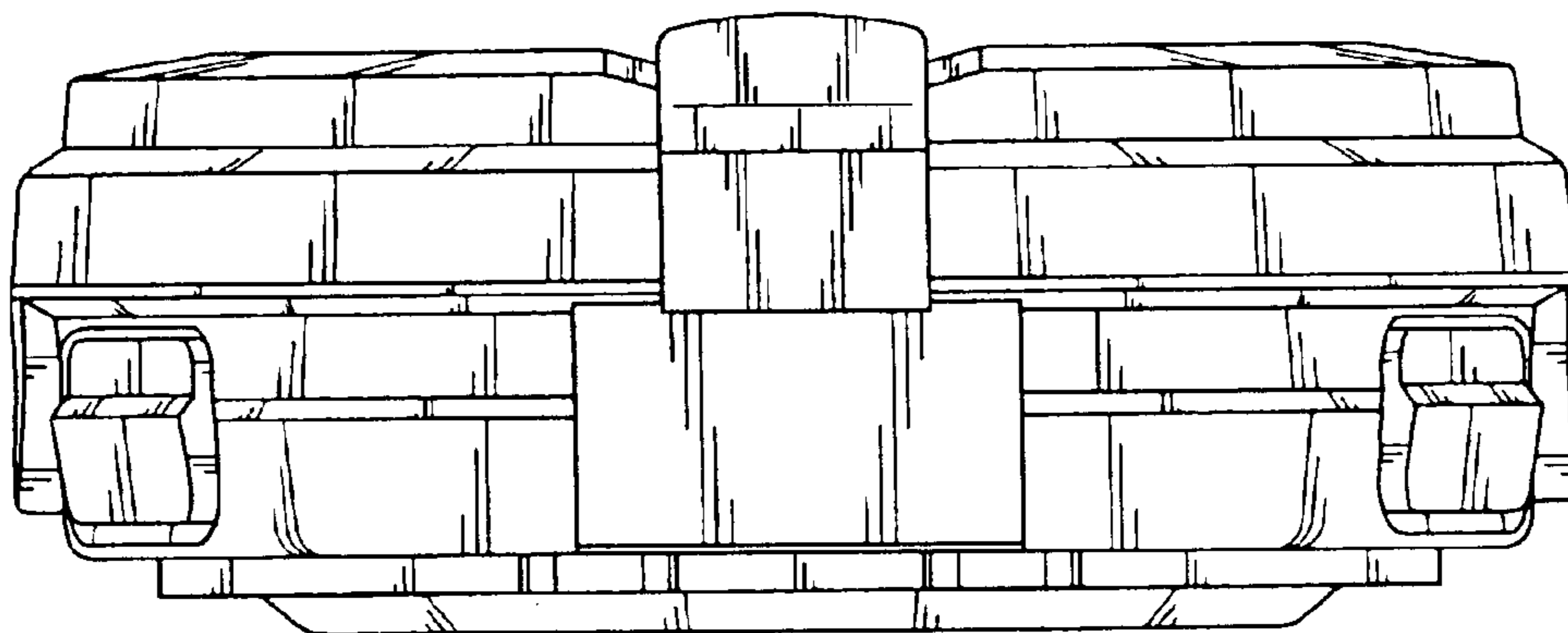


FIG. 7