

US00D508402S

(12) **United States Design Patent**  
**Hierzer et al.**

(10) **Patent No.:** **US D508,402 S**  
(45) **Date of Patent:** **\*\* Aug. 16, 2005**

(54) **CHILD-RESISTANT CLOSURE**

**FOREIGN PATENT DOCUMENTS**

(75) **Inventors:** **Valentin Hierzer**, Arlington Heights, IL (US); **Juergen Pellenz**, Zell-Moesl (DE)

DE	3625477	2/1988
GB	1484517	9/1977
JP	10/264953	10/1998
JP	10338251 A	12/1998
JP	WO 03/011701	2/2003
JP	WO 03/018422	3/2003

(73) **Assignee:** **Crown Packaging Technology, Inc.**, Alsip, IL (US)

\* cited by examiner

(\*\*) **Term:** **14 Years**

*Primary Examiner*—Gary D. Watson

*Assistant Examiner*—Susan Bennett-Hattan

(21) **Appl. No.:** **29/201,845**

(74) **Attorney, Agent, or Firm**—Knoble Yoshida & Dunleavy, LLC

(22) **Filed:** **Mar. 22, 2004**

(51) **LOC (8) Cl.** ..... **09-07**

(57) **CLAIM**

(52) **U.S. Cl.** ..... **D9/449; D9/453**

The ornamental design for a “child-resistant closure,” as shown and described.

(58) **Field of Search** ..... D9/759, 751, 741, D9/739, 737, 515, 499, 454, 453, 434, 446–450, 439–440, 435, 436; D7/398, 392; 383/80; 222/575, 566, 556, 553, 544–546, 491; 215/237

**DESCRIPTION**

(56) **References Cited**

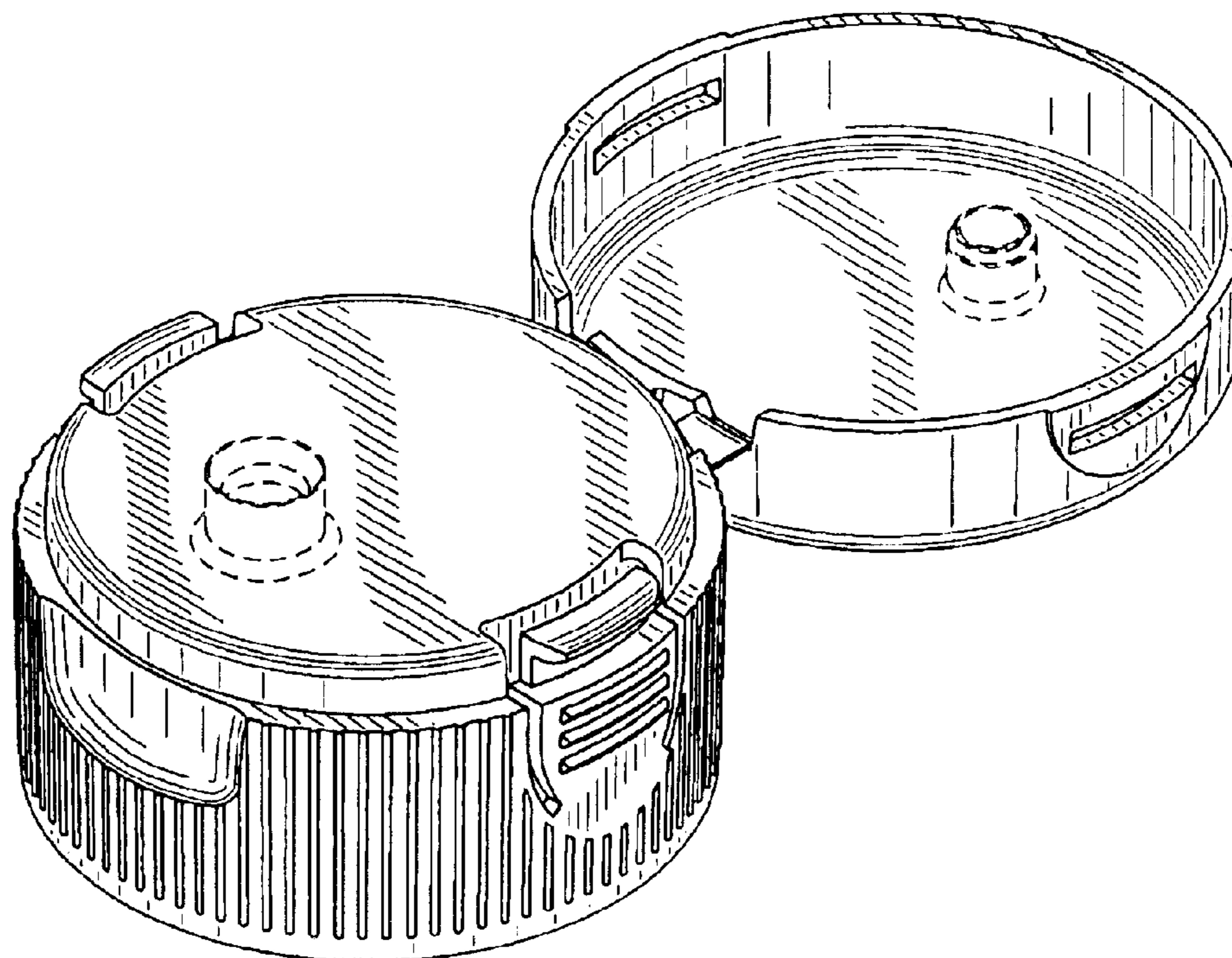
**U.S. PATENT DOCUMENTS**

4,310,105 A	1/1982	Gach	
D306,701 S	* 3/1990	Beck	D9/446
D320,746 S	* 10/1991	Bolen et al.	D9/446
D334,538 S	* 4/1993	Bolen et al.	D9/447
5,395,015 A	* 3/1995	Bolen et al.	222/546
D363,025 S	* 10/1995	Deflander et al.	D9/449
5,765,705 A	6/1998	Deubel	
D427,906 S	* 7/2000	Carter	D9/450
6,484,895 B2	* 11/2002	Montgomery et al.	215/237
D481,948 S	* 11/2003	Brozell et al.	D9/453

FIG. 1 is a perspective view of a child-resistant closure showing our new design;  
FIG. 2 is a first side elevational view;  
FIG. 3 is a second side elevational view;  
FIG. 4 is a top plan view;  
FIG. 5 is a bottom plan view;  
FIG. 6 is a front elevational view showing a portion of the design; and,  
FIG. 7 is a rear elevational view showing a portion of the design 2.

Any broken lines in the drawings depict probable environment only and form no part of the claimed design.

**1 Claim, 7 Drawing Sheets**



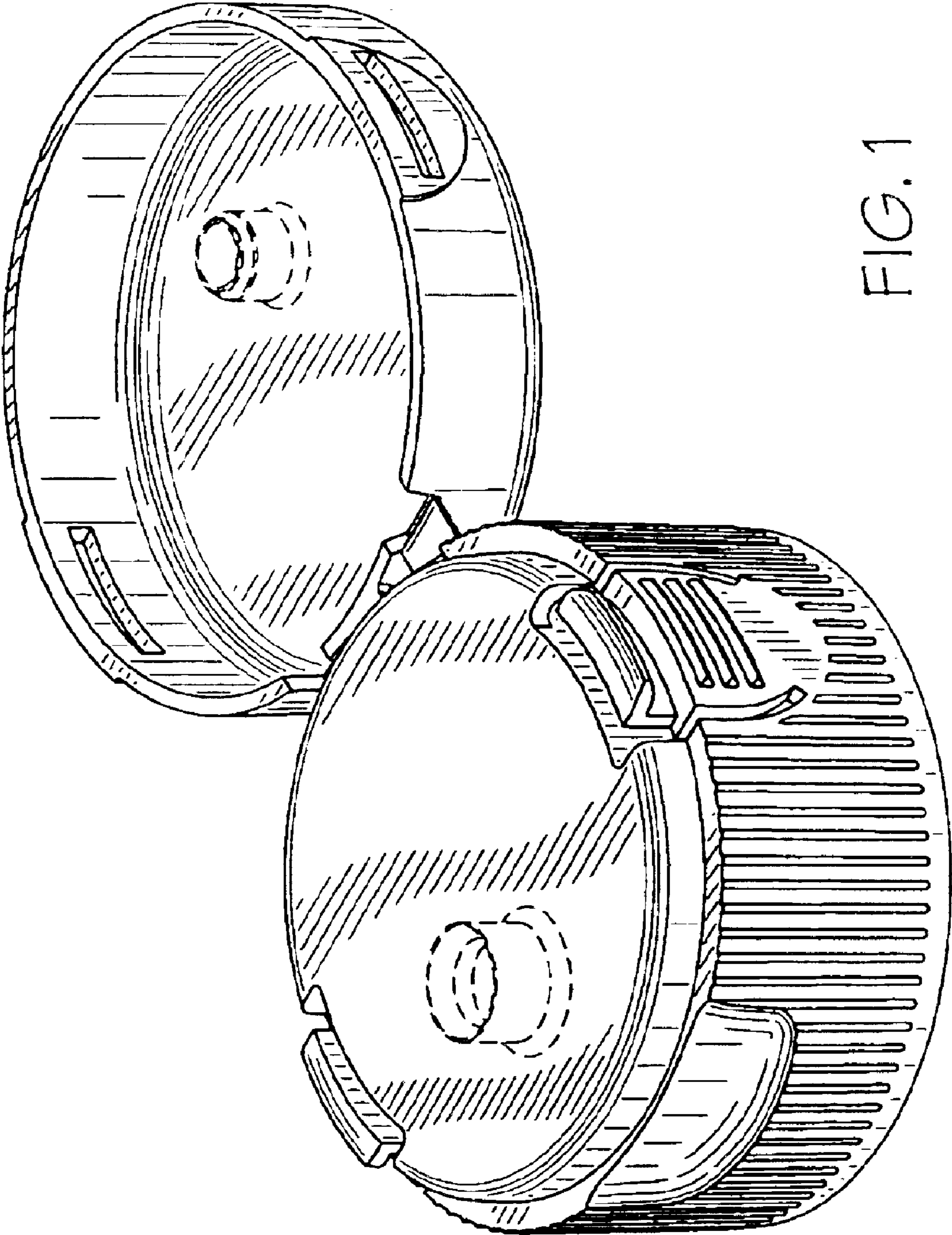


FIG. 1

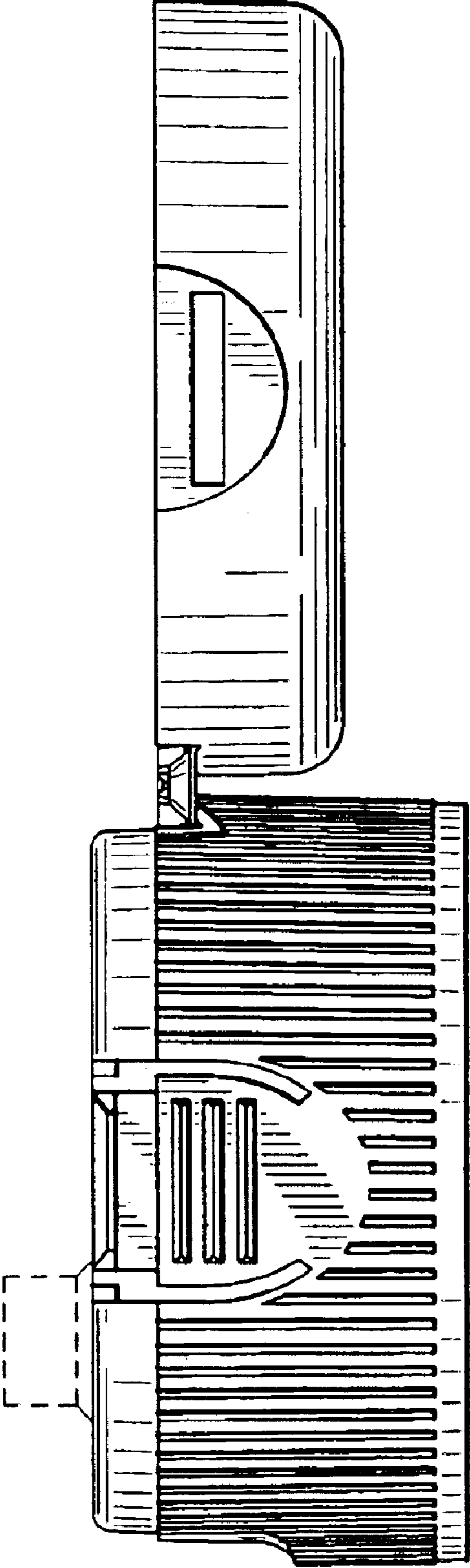


FIG. 2

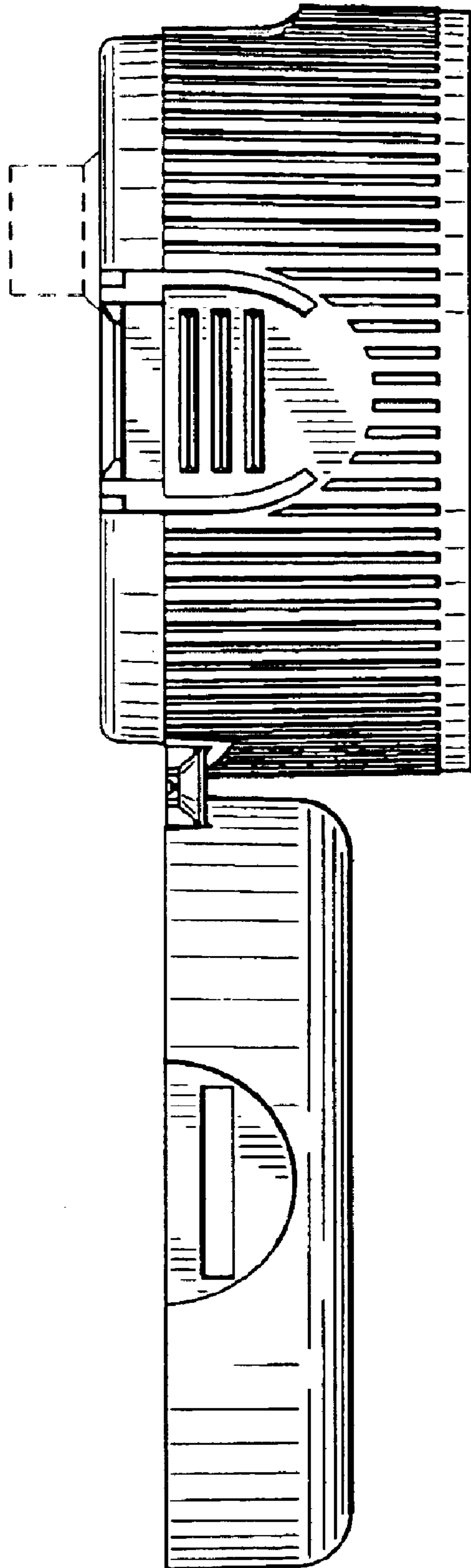


FIG. 3

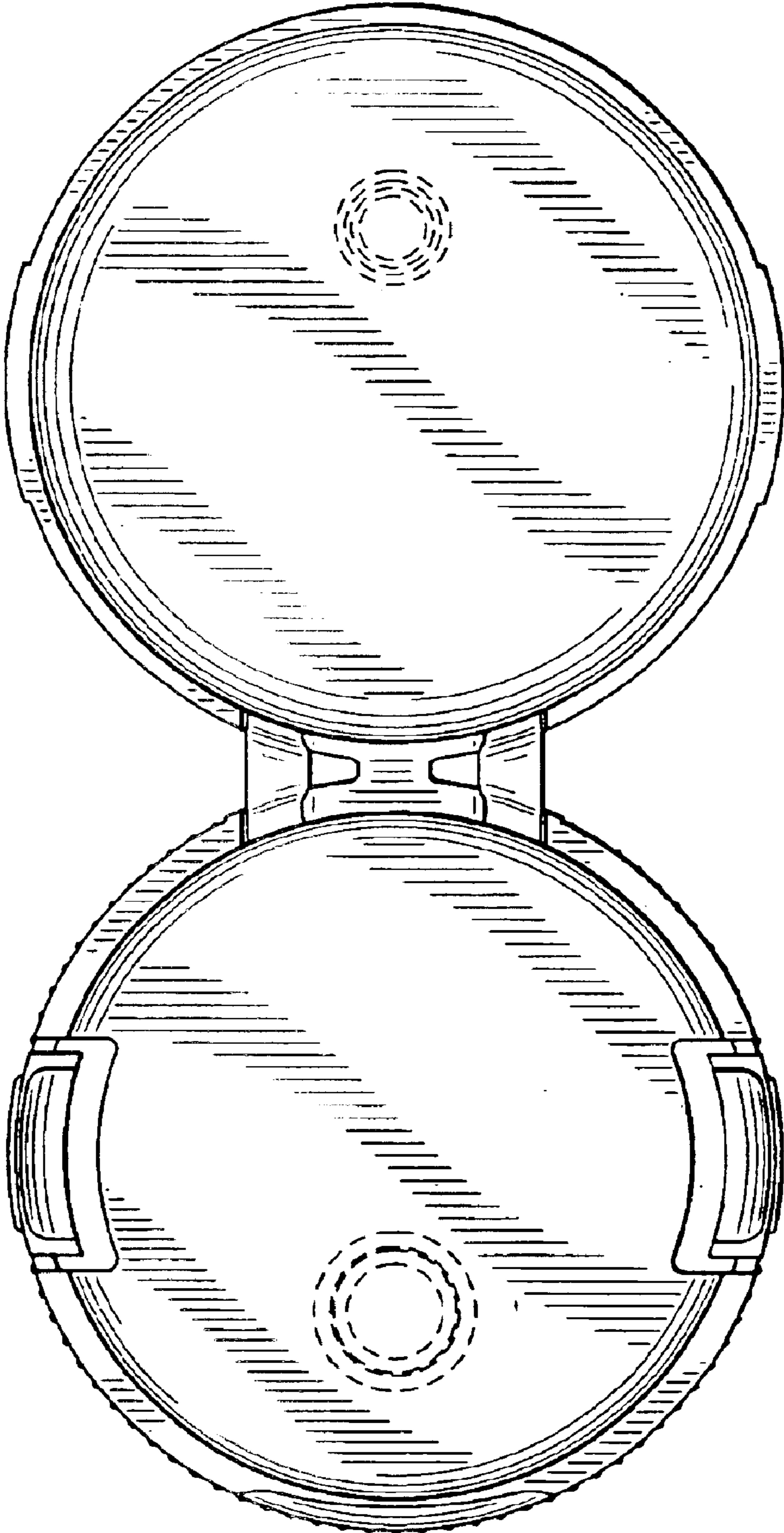


FIG. 4

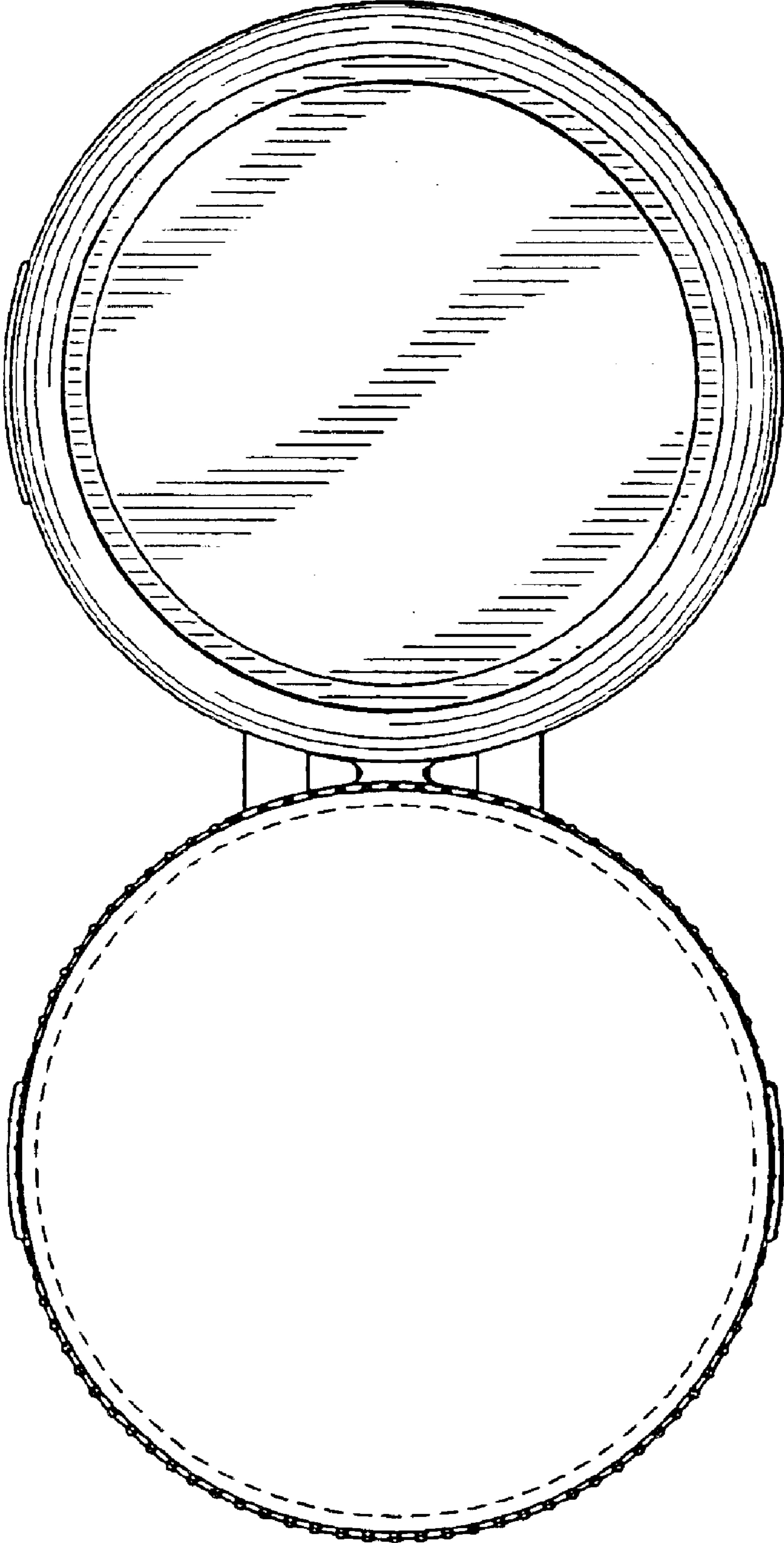


FIG. 5

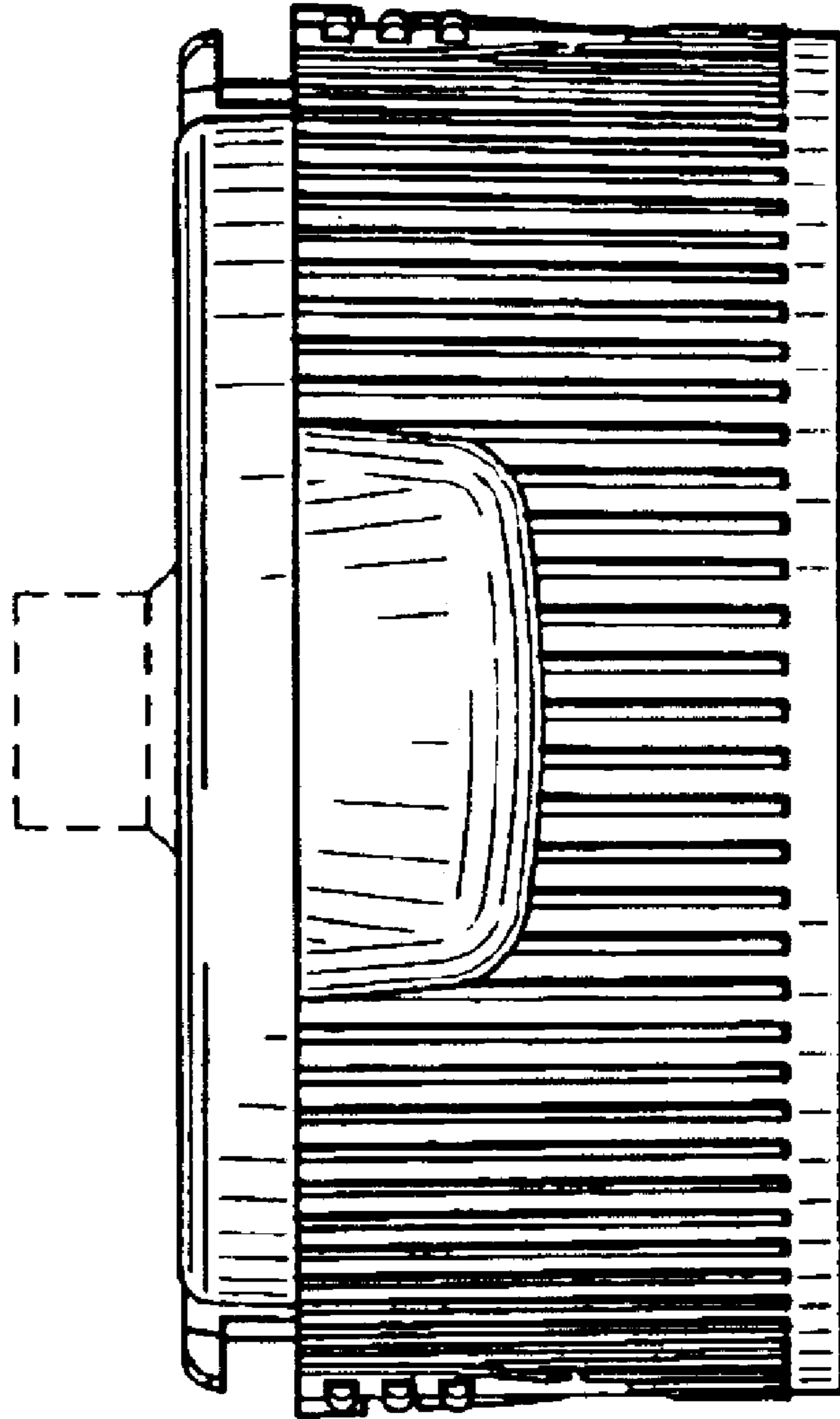


FIG. 6

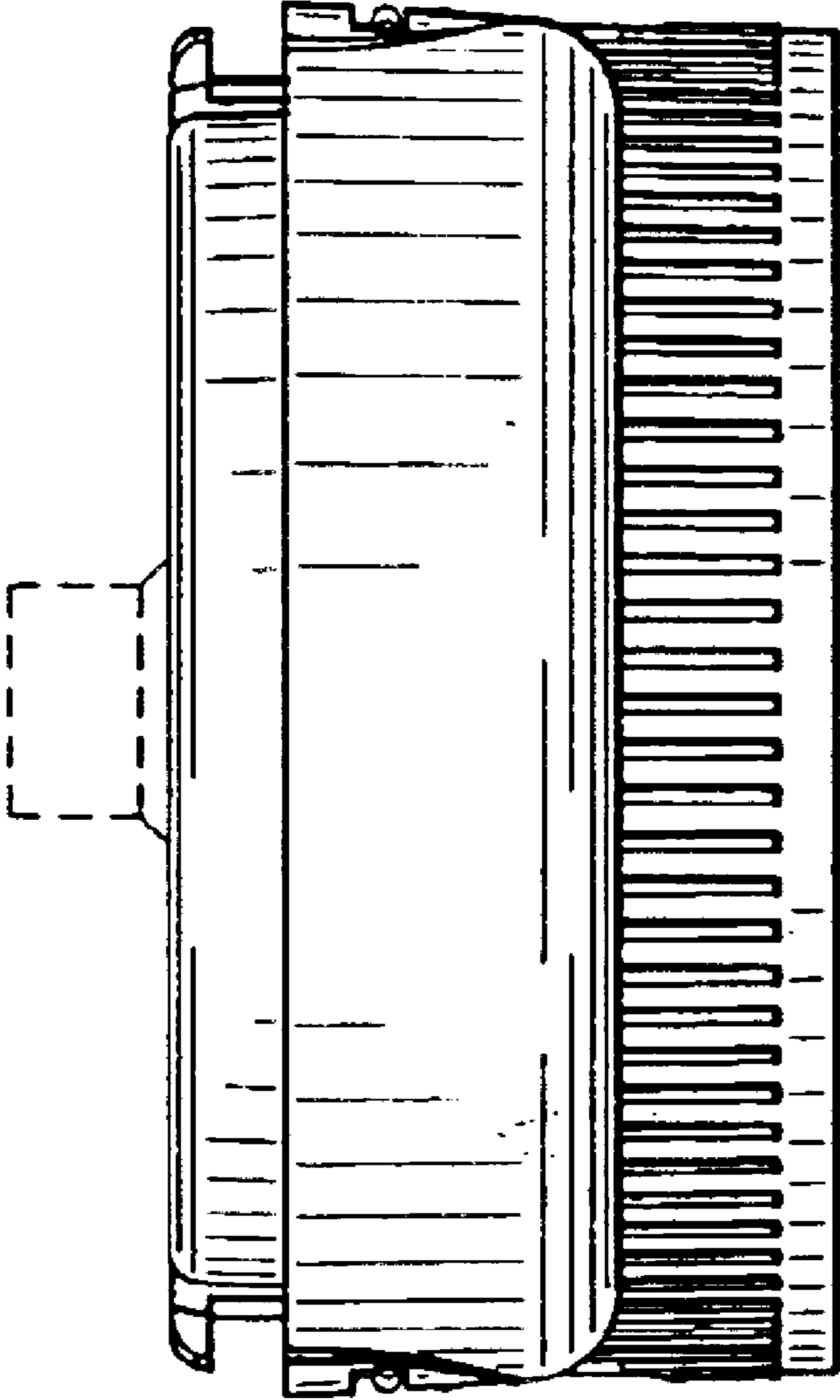


FIG. 7