

US00D508400S

(12) **United States Design Patent**  
**Scimone**

(10) **Patent No.:** **US D508,400 S**

(45) **Date of Patent:** **\*\* Aug. 16, 2005**

(54) **PACKAGE FOR HOLDING A CD OPENER AND SINGLE SHEET PAPER CUTTER**

D446,718 S \* 8/2001 Anderson ..... D9/422  
D465,729 S \* 11/2002 Nishimura ..... D9/422

(76) Inventor: **Thomas John Scimone**, 1658 Hicks Ave., San Jose, CA (US) 95125

\* cited by examiner

*Primary Examiner*—Prabhakar Deshmukh  
(74) *Attorney, Agent, or Firm*—Paul R. Martin

(\*\*) Term: **14 Years**

(57) **CLAIM**

(21) Appl. No.: **29/162,867**

The ornamental design for a package for holding a CD opener and single sheet paper cutter, as shown.

(22) Filed: **Jun. 22, 2002**

(51) **LOC (8) Cl.** ..... **09-03**

(52) **U.S. Cl.** ..... **D9/422; D9/432**

(58) **Field of Search** ..... D9/414, 415, 418, D9/422, 432; 206/770, 769, 493, 307, 308.3, 775, 146, 778, 776, 387.14; 220/23.4, 559, 254.9, 376, 377, 811, 812, 814, 815, 8; 229/162, 125.25, 167

**DESCRIPTION**

A co-pending Application for the design for the CD Opener and Single Sheet Paper Cutter, is being filed concurrently herewith, Ser. No. 29/162,864.

FIG. 1 is a perspective view of package for holding a CD opener and single sheet paper cutter showing my new design; shown in partial open position;

FIG. 2 is a perspective view of a base component of the package for holding a CD opener and single sheet paper cutter, shown separately for clarity;

FIG. 3 is a top plan view of FIG. 2;

FIG. 4 is a end view of FIG. 2;

FIG. 5 is a perspective view of FIG. 1; shown in a closed position;

FIG. 6 is a top plan of FIG. 5; and,

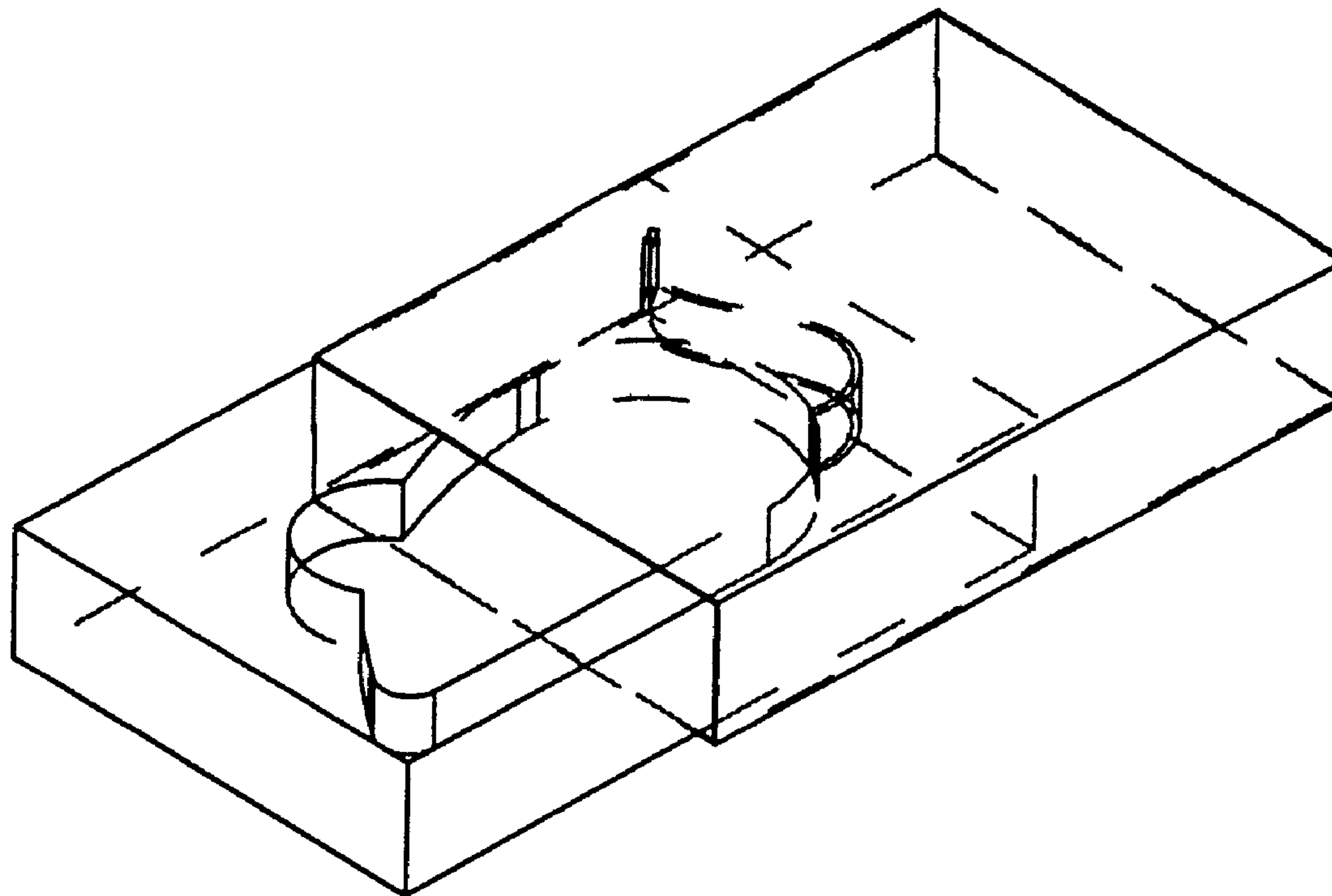
FIG. 7 is a end view of FIG. 5.

(56) **References Cited**

**U.S. PATENT DOCUMENTS**

- 2,711,819 A \* 6/1955 Lugt, Jr. .... D9/418 X
- 3,049,224 A \* 8/1962 Fredette et al. .... 229/125.25
- 3,389,847 A \* 6/1968 Darot ..... 229/125.25
- 3,395,849 A \* 8/1968 Gillam ..... 229/125.25
- 4,488,644 A \* 12/1984 Wynalda ..... 206/387.14
- 5,547,076 A \* 8/1996 Doi et al. .... 206/493
- D407,972 S \* 4/1999 Hilton ..... D9/422
- D431,777 S \* 10/2000 Marciano ..... D9/422
- D432,911 S \* 10/2000 Clarke et al. .... D9/422

**1 Claim, 3 Drawing Sheets**



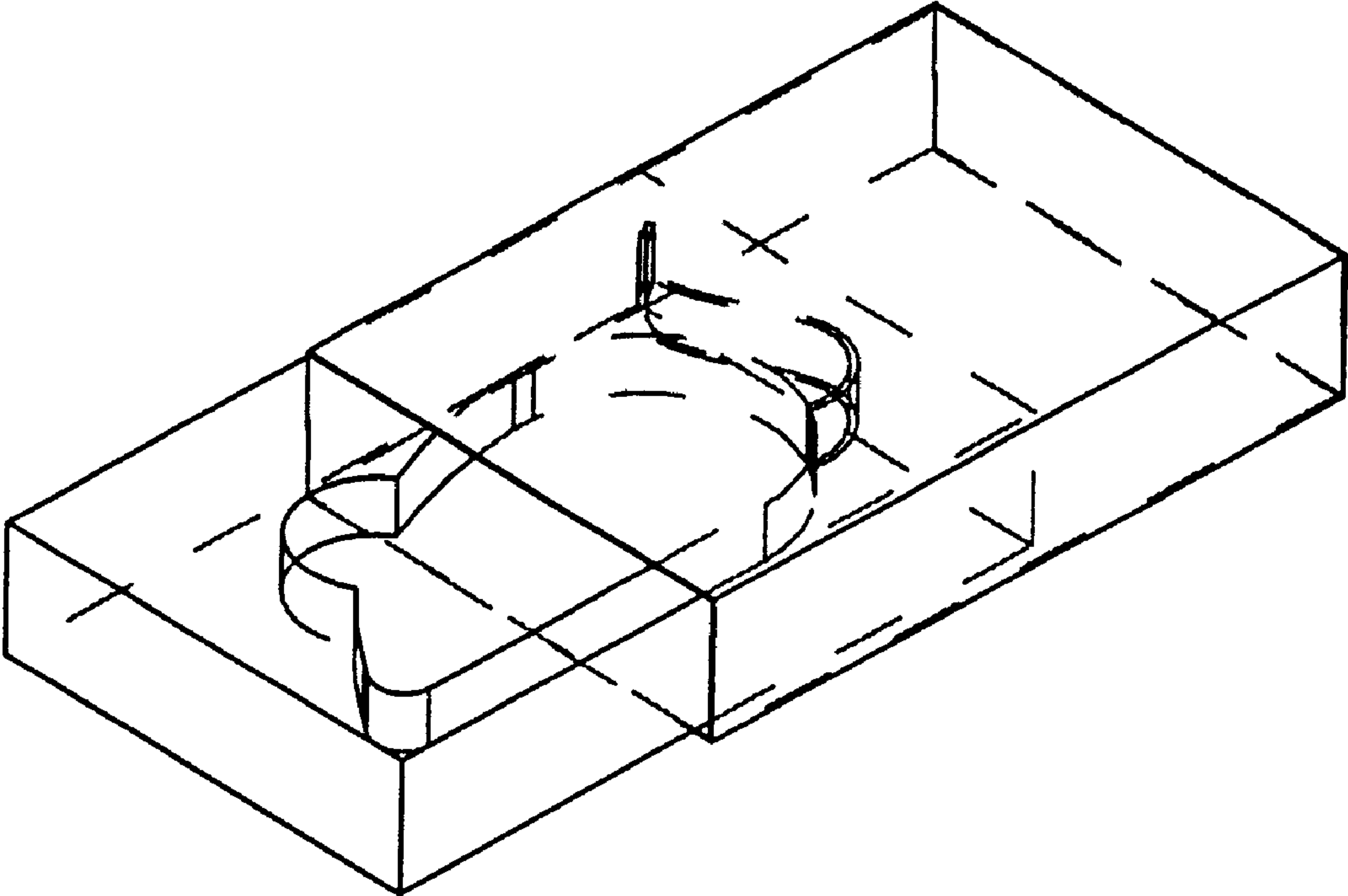


Fig. 1

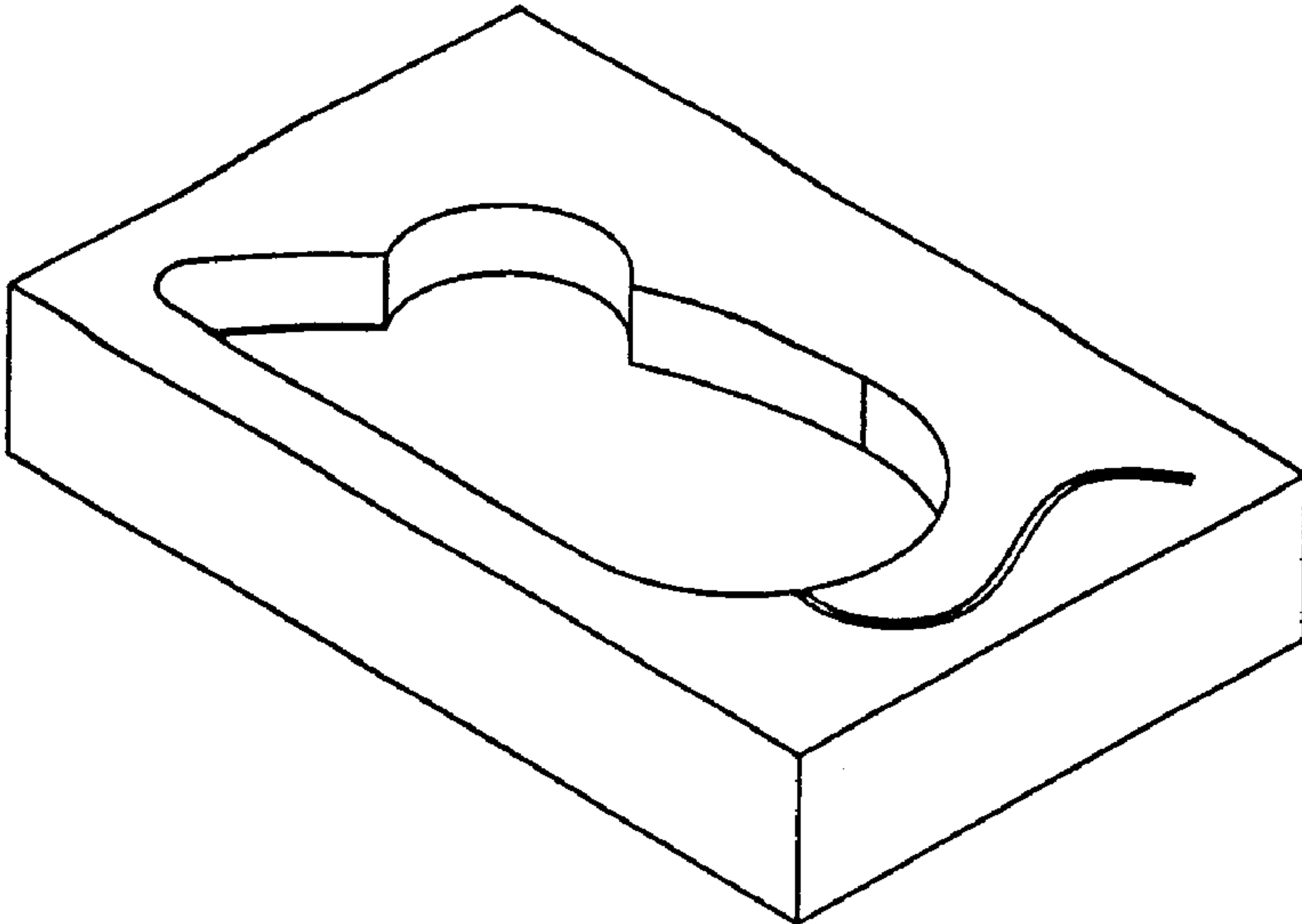


Fig. 2

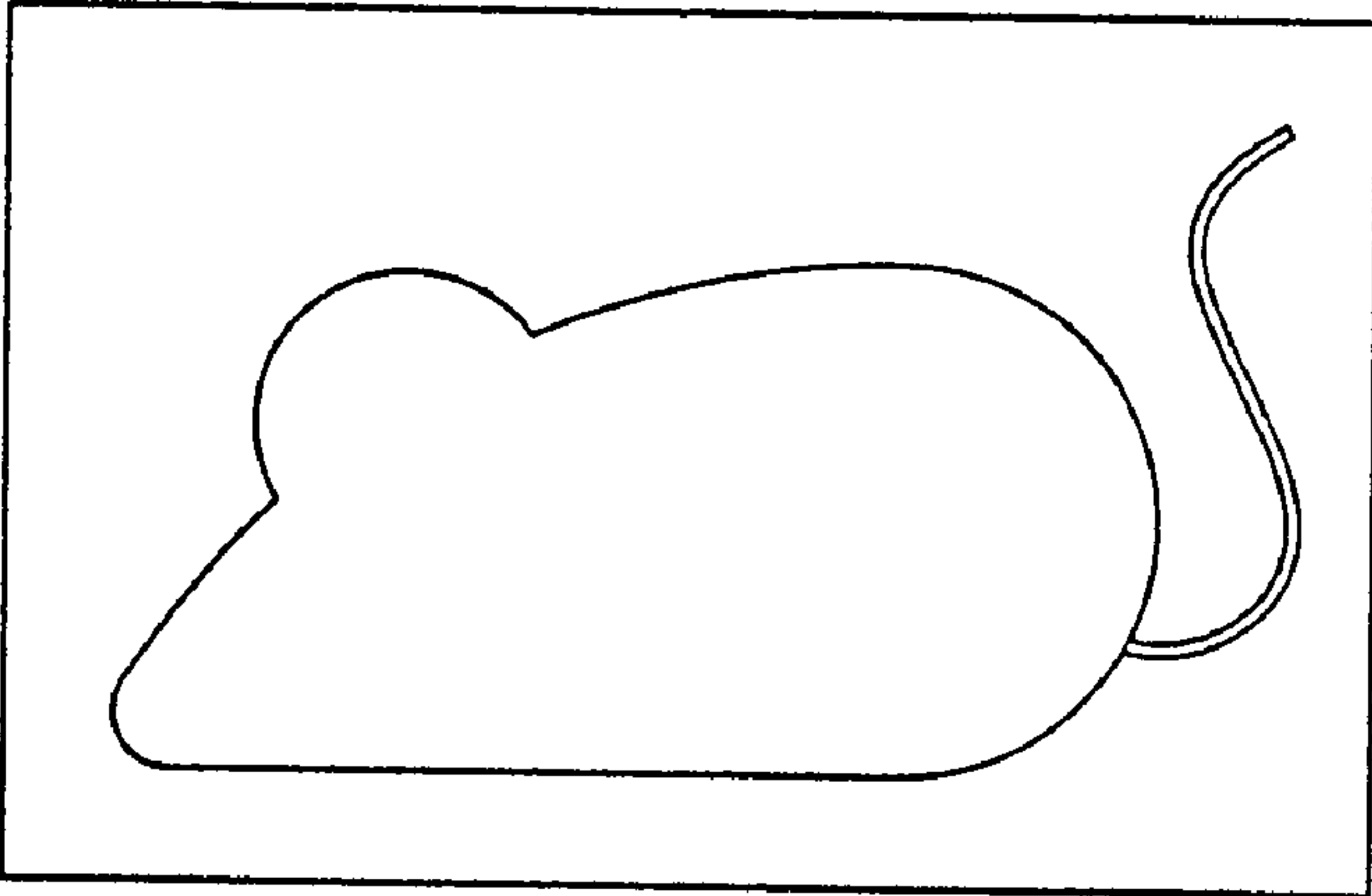


Fig. 3

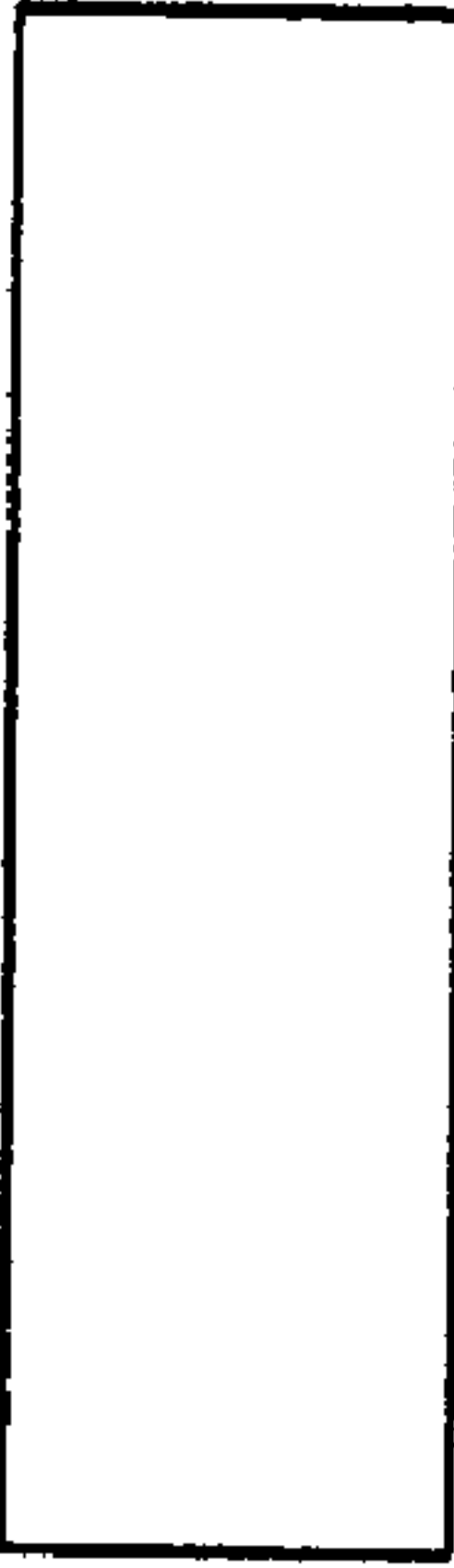


Fig. 4

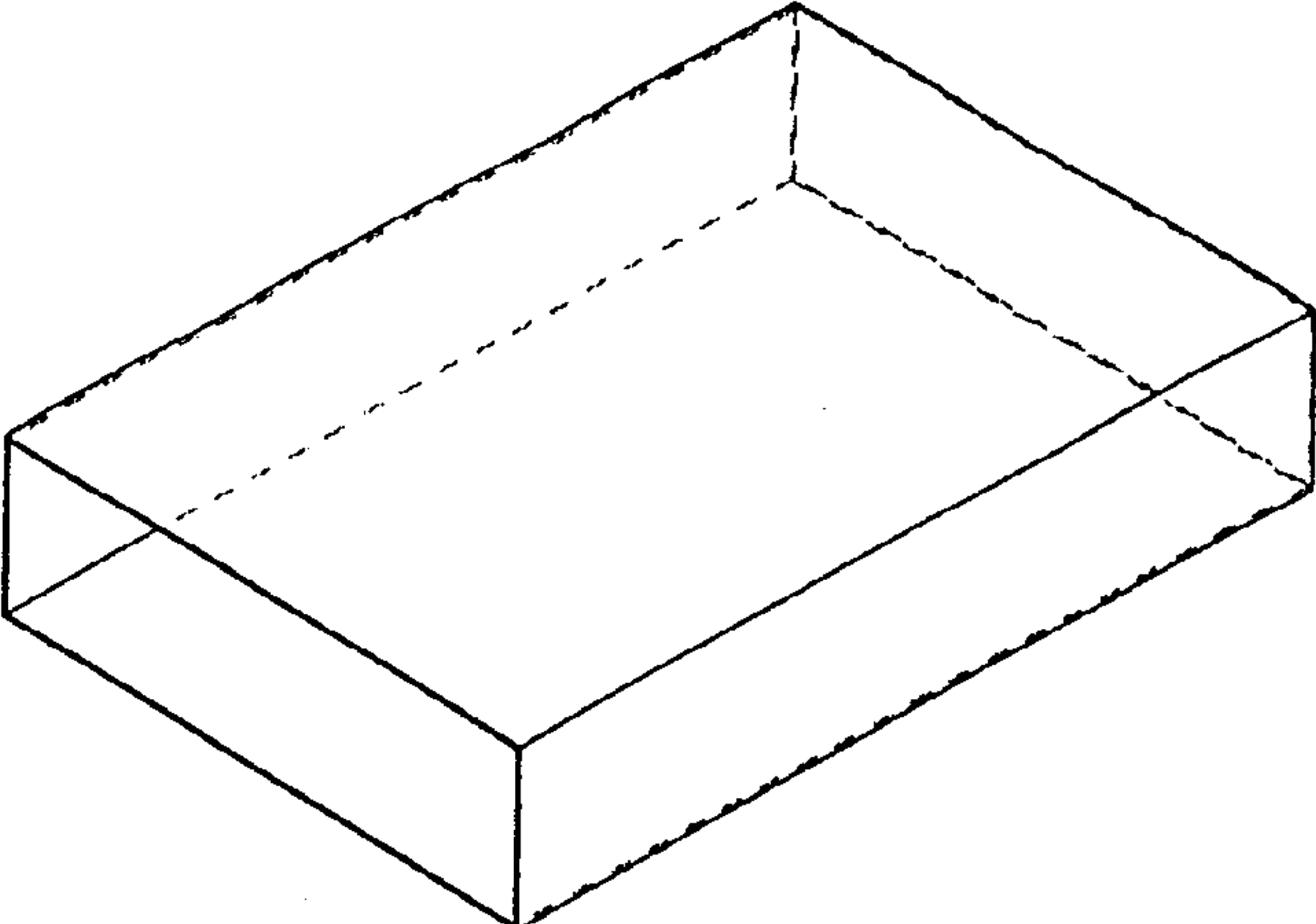


Fig. 5

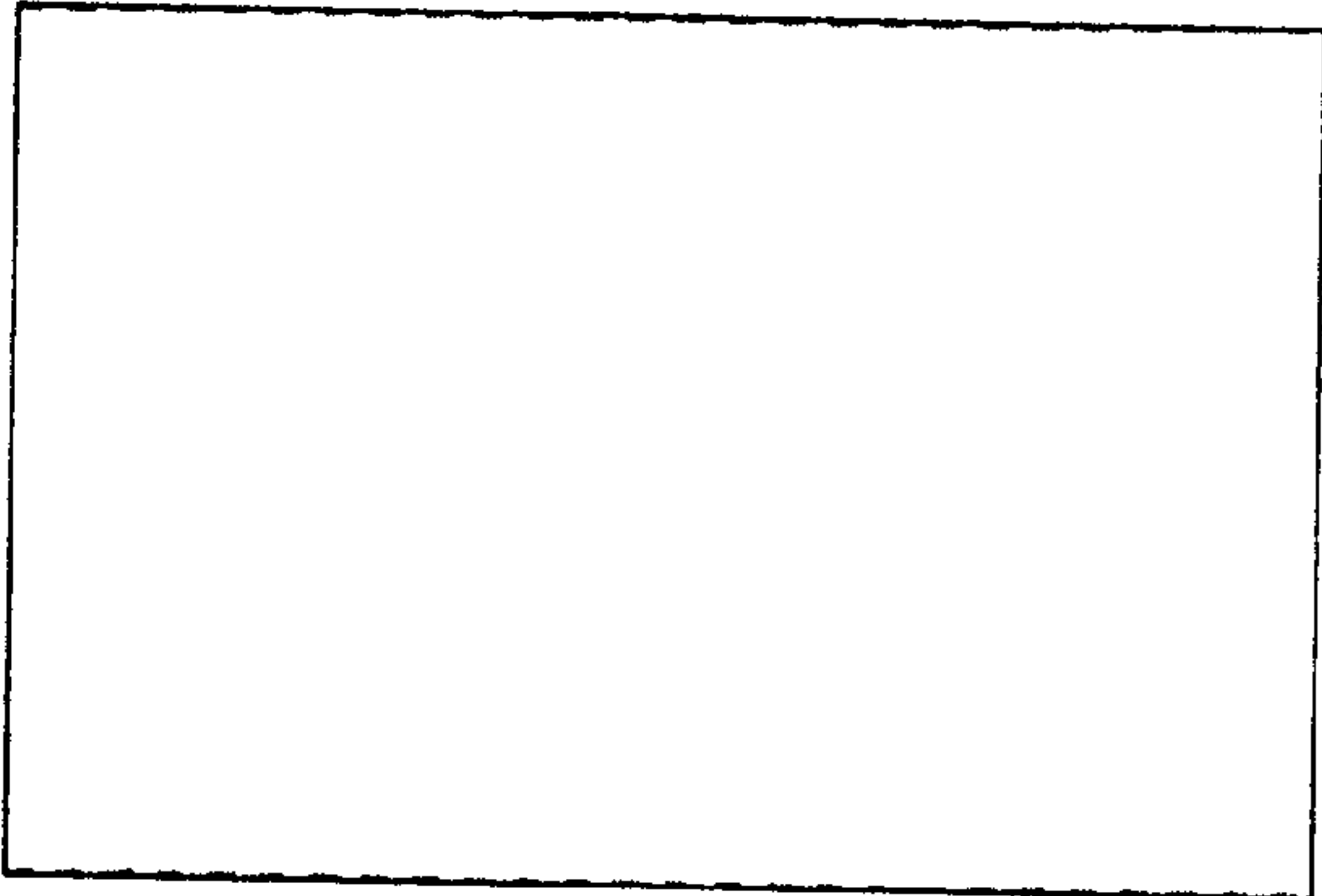


Fig. 6

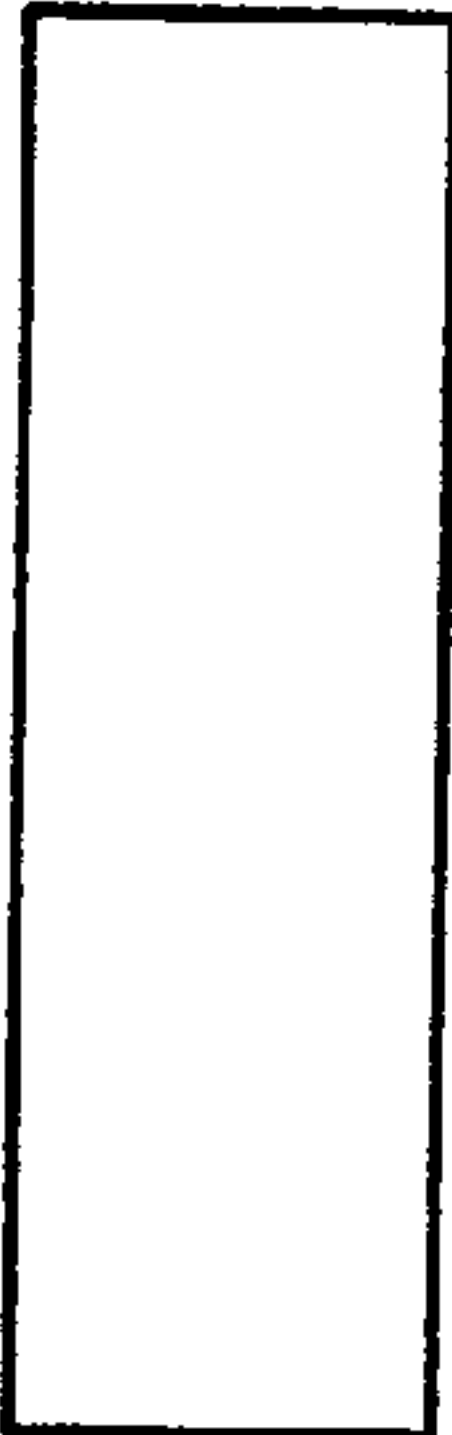


Fig. 7