

US00D508398S

(12) **United States Design Patent** (10) **Patent No.:** **US D508,398 S**
Lee et al. (45) **Date of Patent:** **** Aug. 16, 2005**

(54) **C/D MULTI-POWER CELL DISPLAY PACKAGE**

(75) Inventors: **Kendrew Lee**, Fremont, CA (US); **Tan Bo Jun**, Jiangmen (CN)

(73) Assignee: **Monster, LLC**, Las Vegas, NV (US)

(**) Term: **14 Years**

(21) Appl. No.: **29/172,626**

(22) Filed: **Dec. 13, 2002**
(Under 37 CFR 1.47)

(51) **LOC (8) Cl.** **09-03**

(52) **U.S. Cl.** **D9/415**

(58) **Field of Search** D9/415, 418, 414,
D9/346; 206/461-471, 702-708, 806; 224/902

(56) **References Cited**

U.S. PATENT DOCUMENTS

D222,581 S	*	11/1971	Nakakuma	D9/345
D302,661 S	*	8/1989	Calcerano et al.	D9/415
4,958,731 A	*	9/1990	Calcerano	206/705
5,429,233 A	*	7/1995	Juaristi	206/705
5,586,657 A	*	12/1996	Ward et al.	206/705
5,735,404 A	*	4/1998	Kumakura et al.	206/469
D414,411 S	*	9/1999	Gaffney et al.	D9/415
D427,523 S	*	7/2000	Calcerano	D9/415
D432,009 S	*	10/2000	Pirro et al.	D9/415
6,244,444 B1	*	6/2001	Jacobus et al.	206/703
D480,962 S	*	10/2003	Lee	D9/415
D480,963 S	*	10/2003	Lee	D9/415

* cited by examiner

Primary Examiner—Prabhakar Deshmukh
(74) *Attorney, Agent, or Firm*—LaRiviere, Grubman & Payne, LLP

(57) **CLAIM**

The ornamental design for a C/D multi-power cell display package, as shown and described.

DESCRIPTION

A portion of the disclosure of this design patent document contains material which is subject to copyright protection. The copyright owner has no objection to the facsimile reproduction by anyone of the patent document or the patent disclosure, as it appears in the U.S. Patent and Trademark Office patent files or records, but otherwise reserves all rights under the copyright laws of the United States (17 U.S.C. § 106).

FIG. 1 is a front perspective view of a C/D multi-power cell display package showing our new design;

FIG. 2 is a rear perspective view thereof;

FIG. 3 is an exploded front elevational view thereof;

FIG. 4 is an exploded rear elevational view thereof;

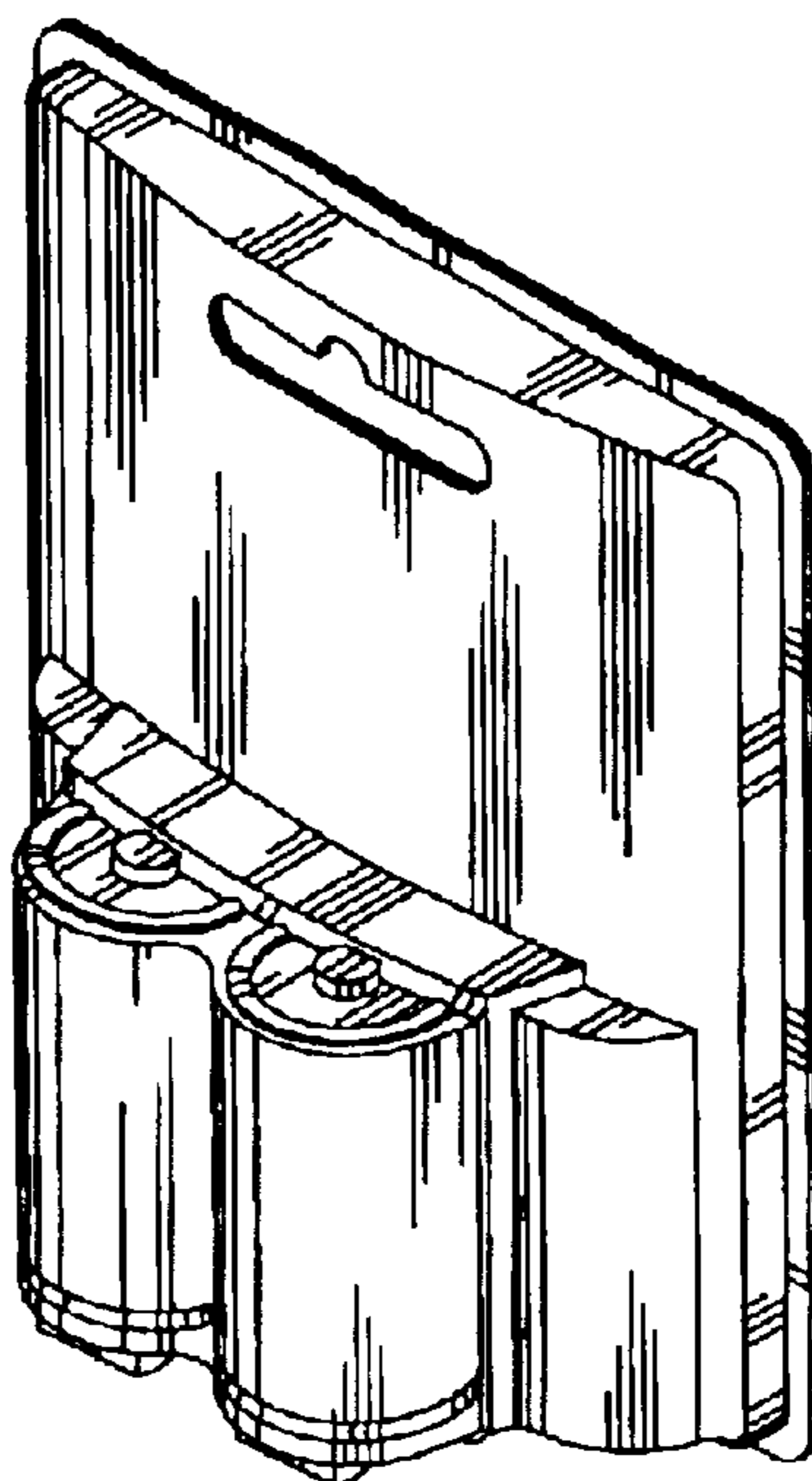
FIG. 5 is an exploded top plan view thereof;

FIG. 6 is an exploded bottom plan view thereof; and,

FIG. 7 is an exploded right side elevational view thereof, the left side elevational view being a mirror image thereof.

The broken lines showing the environment in the Figures are for illustrative purposes only and form no part of the claimed design.

1 Claim, 4 Drawing Sheets



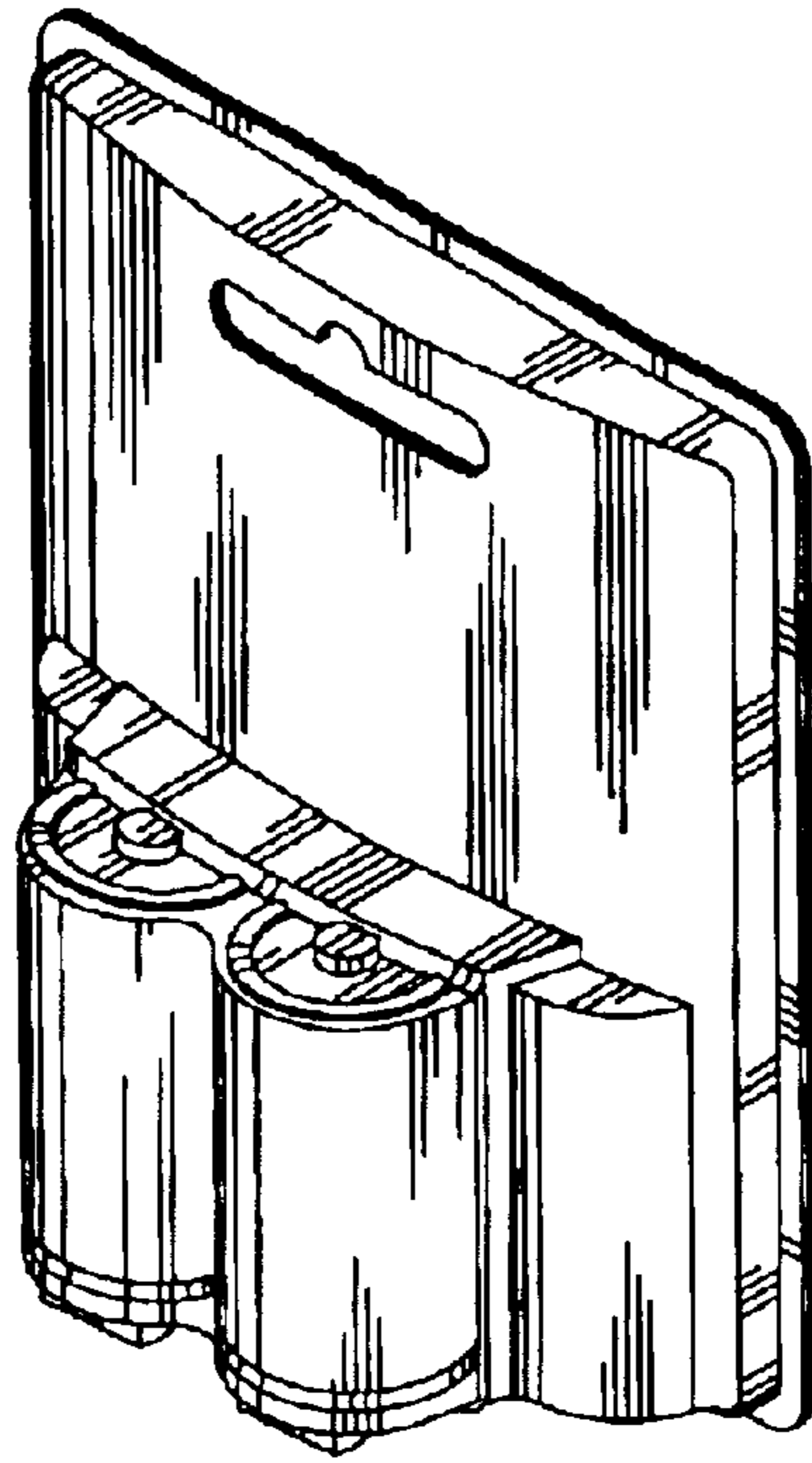


Figure 1

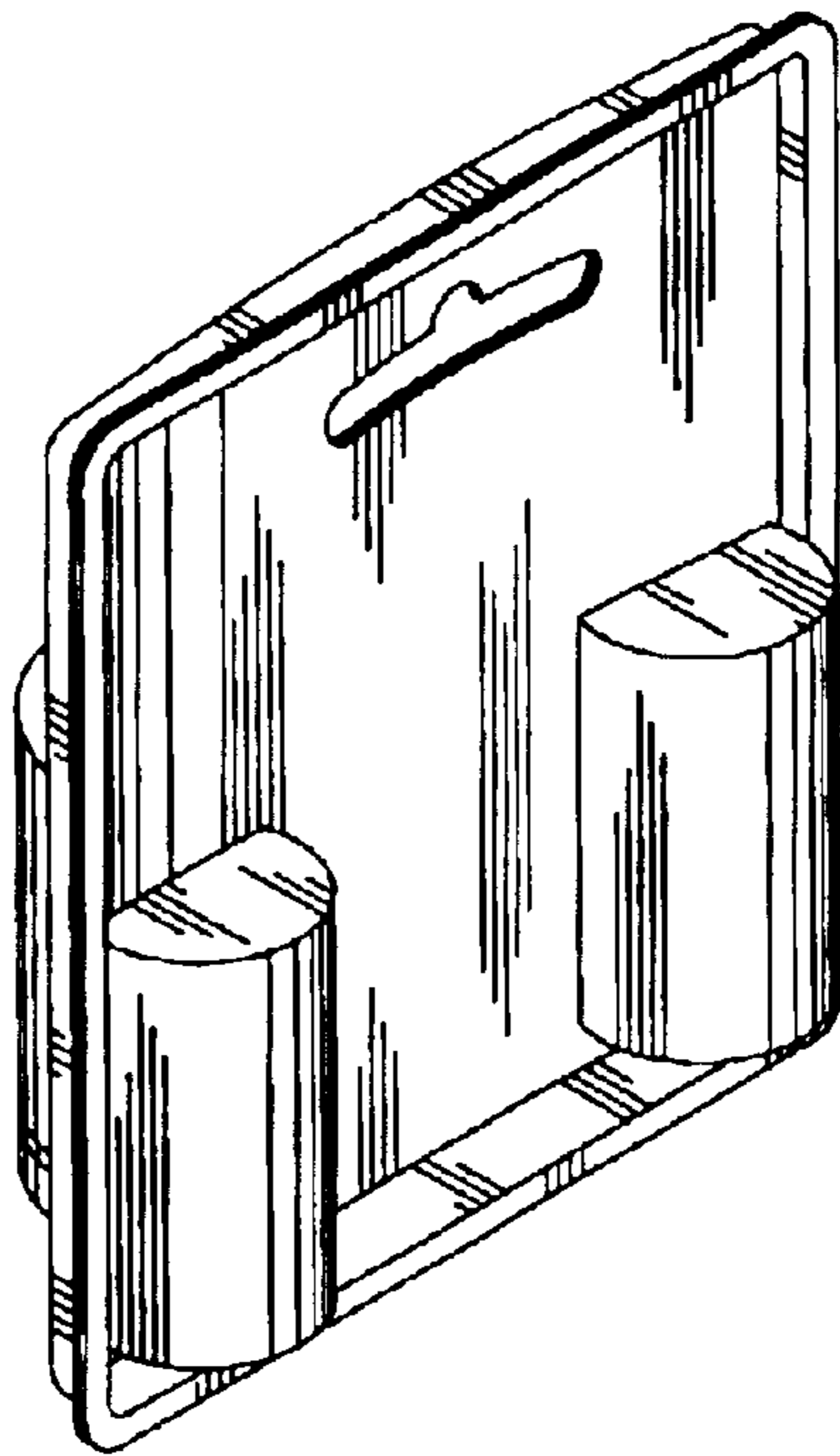


Figure 2

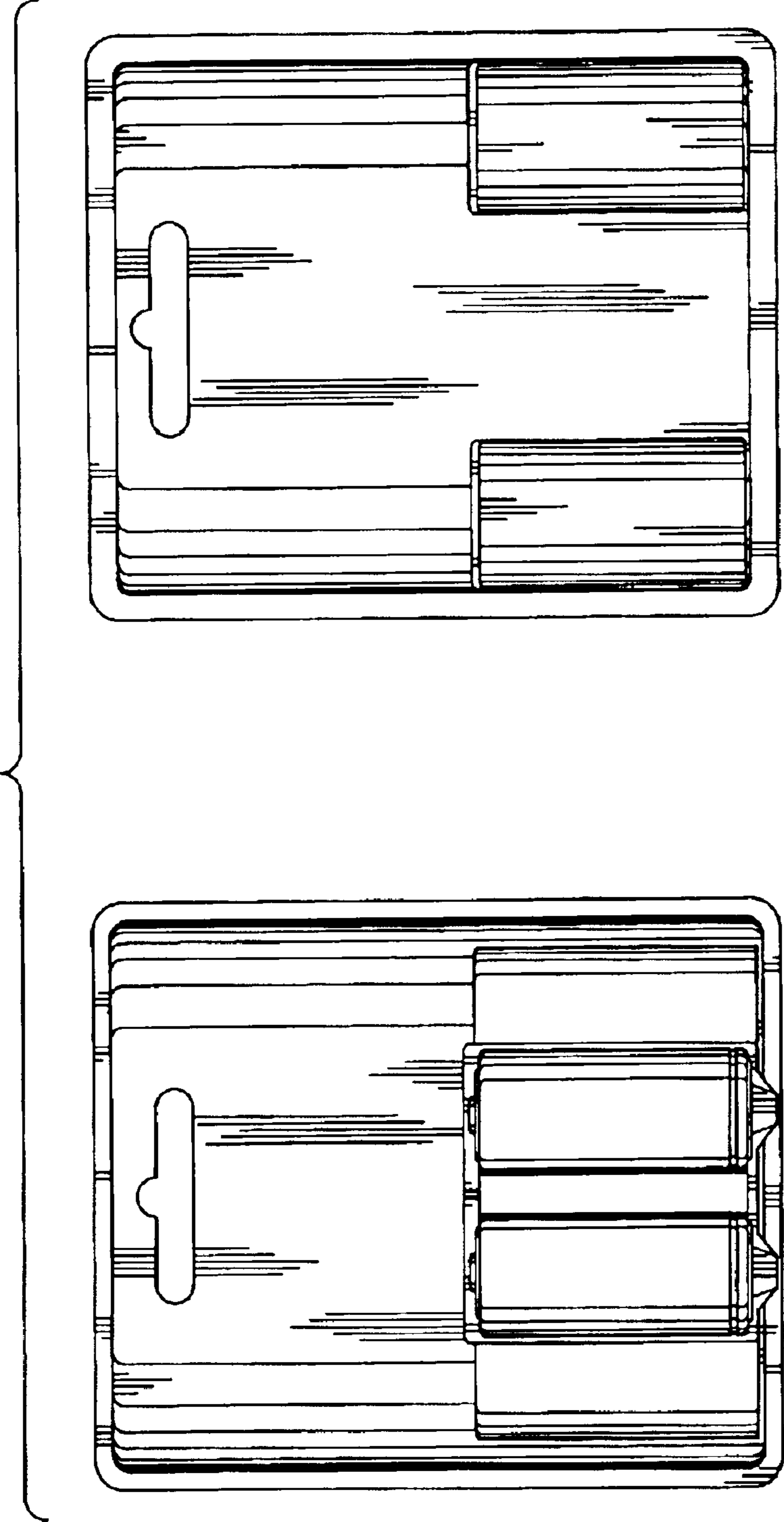


Figure 3

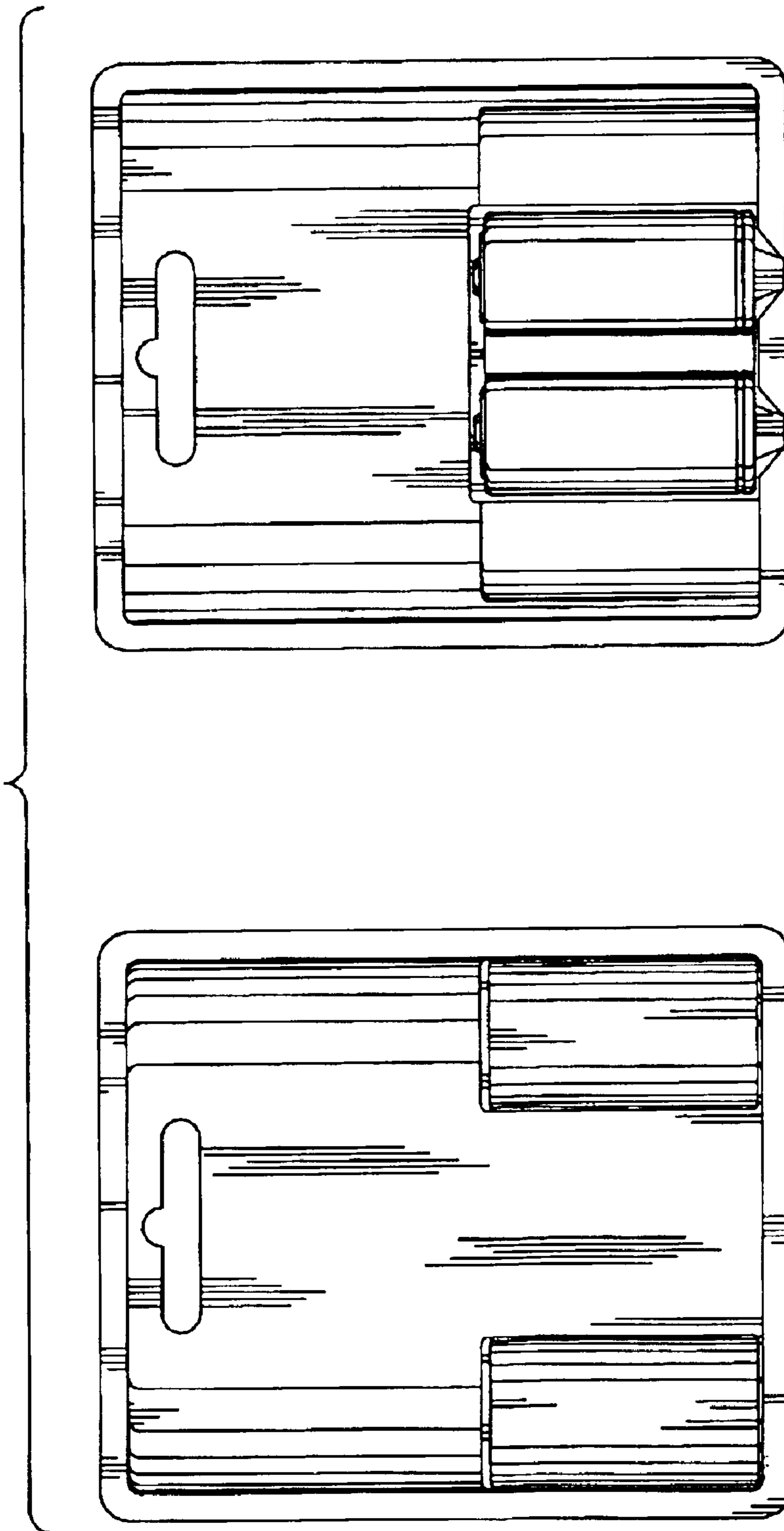


Figure 4

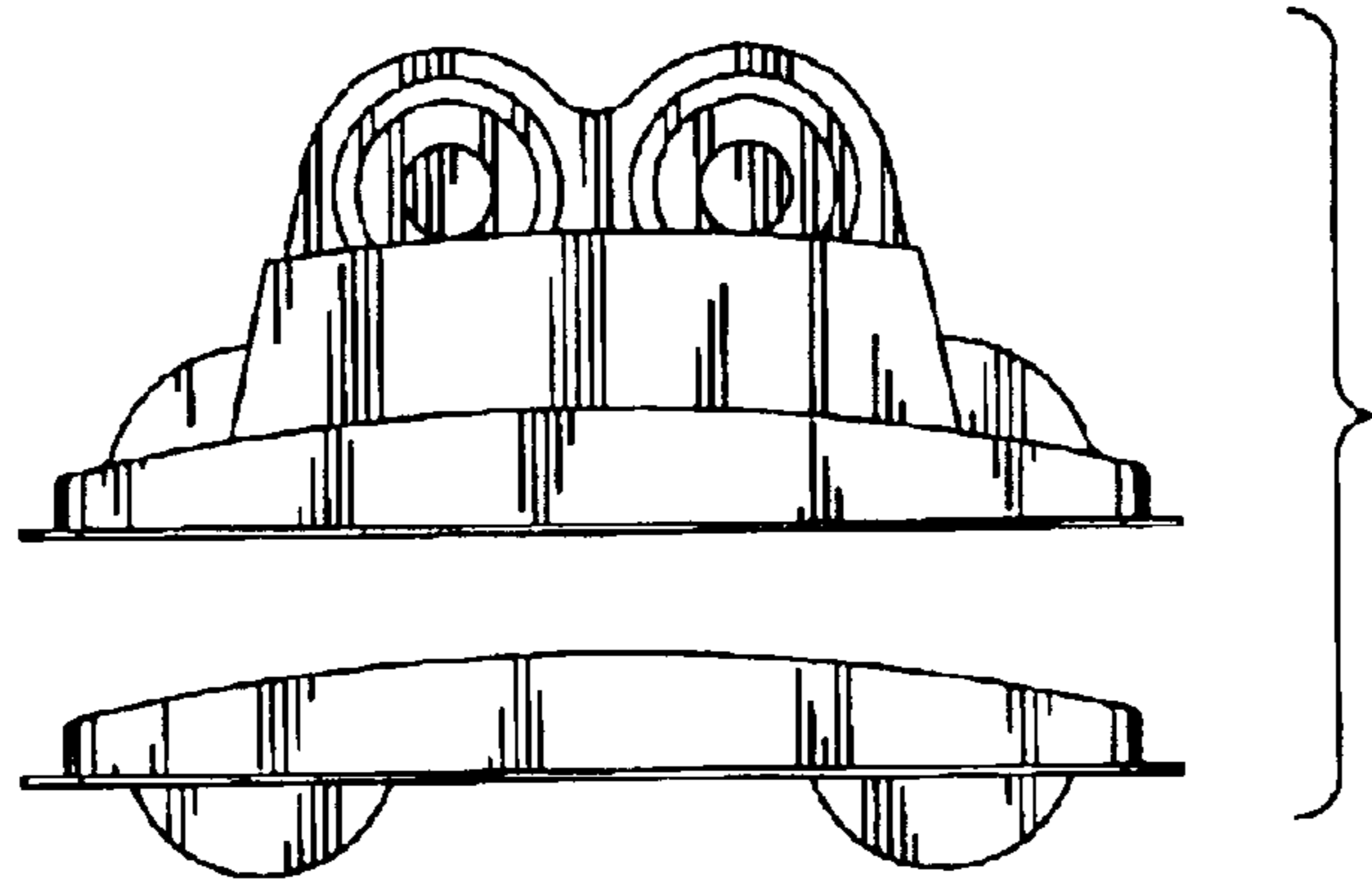


Figure 5

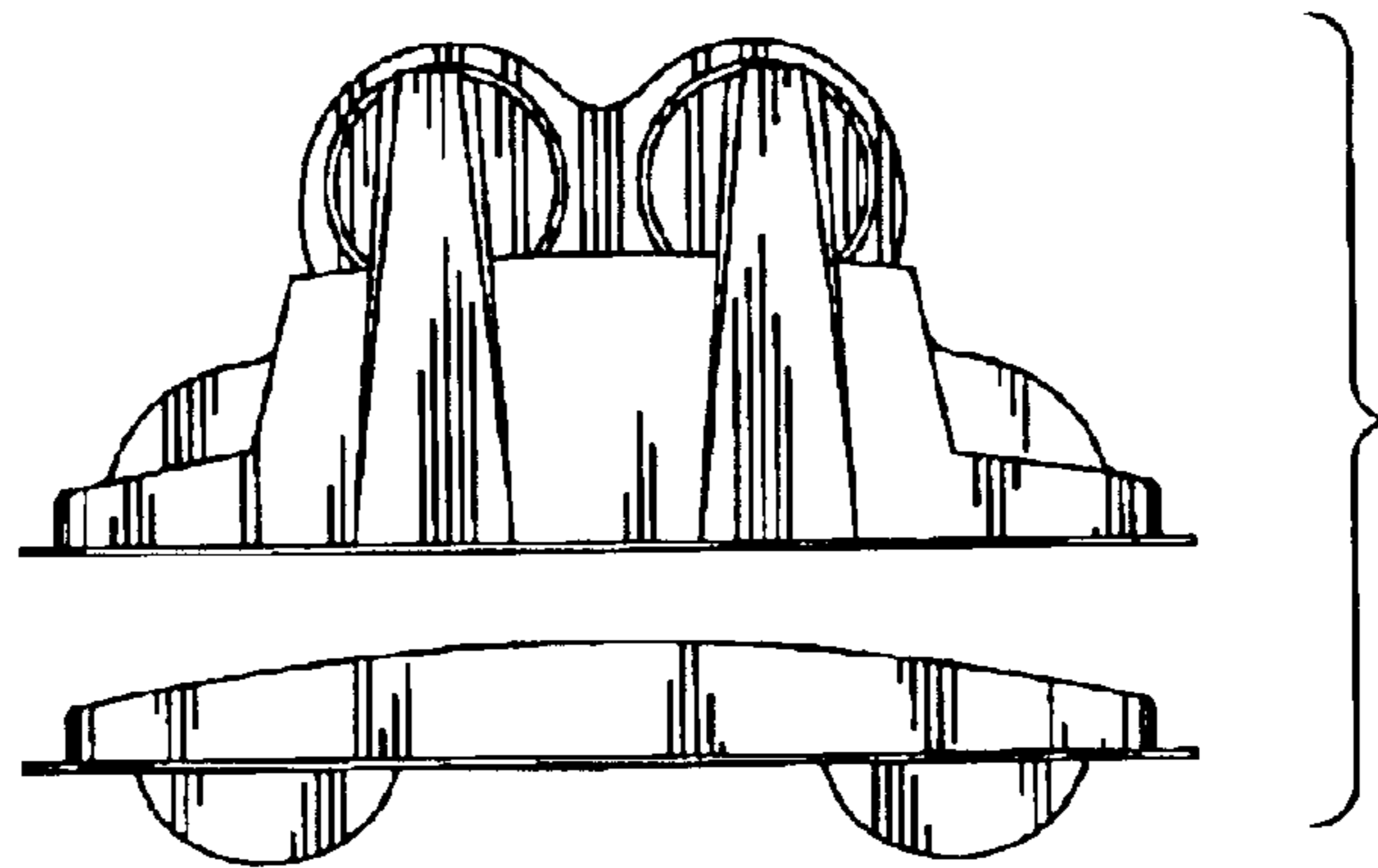


Figure 6

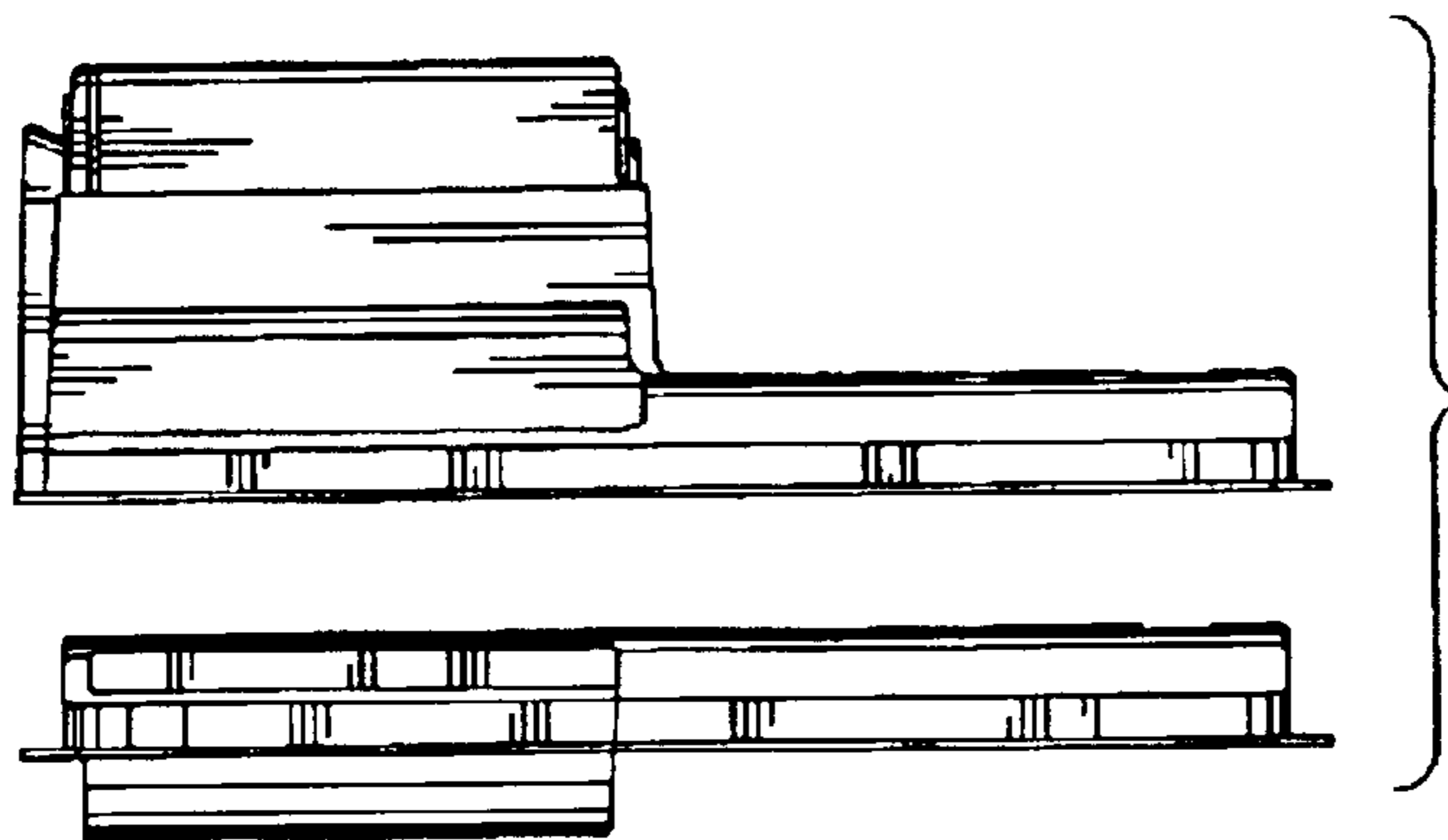


Figure 7