

US00D508388S

(12) **United States Design Patent**
Aglassinger

(10) **Patent No.:** **US D508,388 S**

(45) **Date of Patent:** **** Aug. 16, 2005**

(54) **HAMMER DRILL**

(75) **Inventor:** **Hans-Peter Aglassinger, Esslingen (DE)**

(73) **Assignee:** **Robert Bosch GmbH, Stuttgart (DE)**

(**) **Term:** **14 Years**

(21) **Appl. No.:** **29/196,090**

(22) **Filed:** **Dec. 22, 2003**

(30) **Foreign Application Priority Data**

Oct. 30, 2003 (DE) 4 03 06 943

(51) **LOC (8) Cl.** **08-01**

(52) **U.S. Cl.** **D8/69**

(58) **Field of Search** D8/14.1, 61, 62, D8/63, 64, 65, 66, 67, 68, 69, 70; 81/57.11, 429, 464, 465, 466, 469, 489; 173/13, 169, 178, 213, 217; 227/8, 114, 120, 130, 136, 142; 310/50; 408/20, 124, 125, 234, 241 R; 451/358

(56) **References Cited**

U.S. PATENT DOCUMENTS

2,383,379	A	*	8/1945	Forss	310/50
4,418,766	A	*	12/1983	Grossmann	173/13
D280,797	S	*	10/1985	Sakamoto et al.	D8/68
4,689,534	A	*	8/1987	Gerber et al.	310/50
4,820,090	A	*	4/1989	Chen	408/241 R
D302,646	S	*	8/1989	Sasaki et al.	D8/69
D337,711	S	*	7/1993	Ogawa et al.	D8/68
D342,878	S	*	1/1994	Watanabe et al.	D8/68
D396,789	S	*	8/1998	Murray	D8/68
D406,742	S	*	3/1999	Schoen et al.	D8/68
D439,123	S	*	3/2001	Sakai et al.	D8/68
D441,268	S	*	5/2001	Heun	D8/68
D460,336	S	*	7/2002	Pretzell	D8/69
D470,379	S	*	2/2003	Andriolo	D8/68

D485,738	S	*	1/2004	Pretzell	D8/69
D486,049	S	*	2/2004	Sugiura et al.	D8/68
D488,978	S	*	4/2004	Cheung	D8/68
2002/0084087	A1	*	7/2002	Hecht et al.	173/178

* cited by examiner

Primary Examiner—Gary D. Watson

Assistant Examiner—T. Chase Nelson

(74) *Attorney, Agent, or Firm*—Michael J. Striker

(57) **CLAIM**

The ornamental design for a hammer drill, as shown and described.

DESCRIPTION

FIG. 1 is a front perspective view of a hammer drill showing my new design;

FIG. 2 is a side view thereof;

FIG. 3 is the opposite side view of FIG. 2 thereof;

FIG. 4 is a front view thereof;

FIG. 5 is a rear view thereof;

FIG. 6 is a top view thereof; and

FIG. 7 is a bottom view thereof;

FIG. 8 is a alternate embodiment of my new design showing the hammer drill without any writing or logo thereon, but otherwise identical to my first embodiment thereof;

FIG. 9 is a side view thereof;

FIG. 10 is the opposite side view of FIG. 9 thereof;

FIG. 11 is a front view thereof;

FIG. 12 is a rear view thereof;

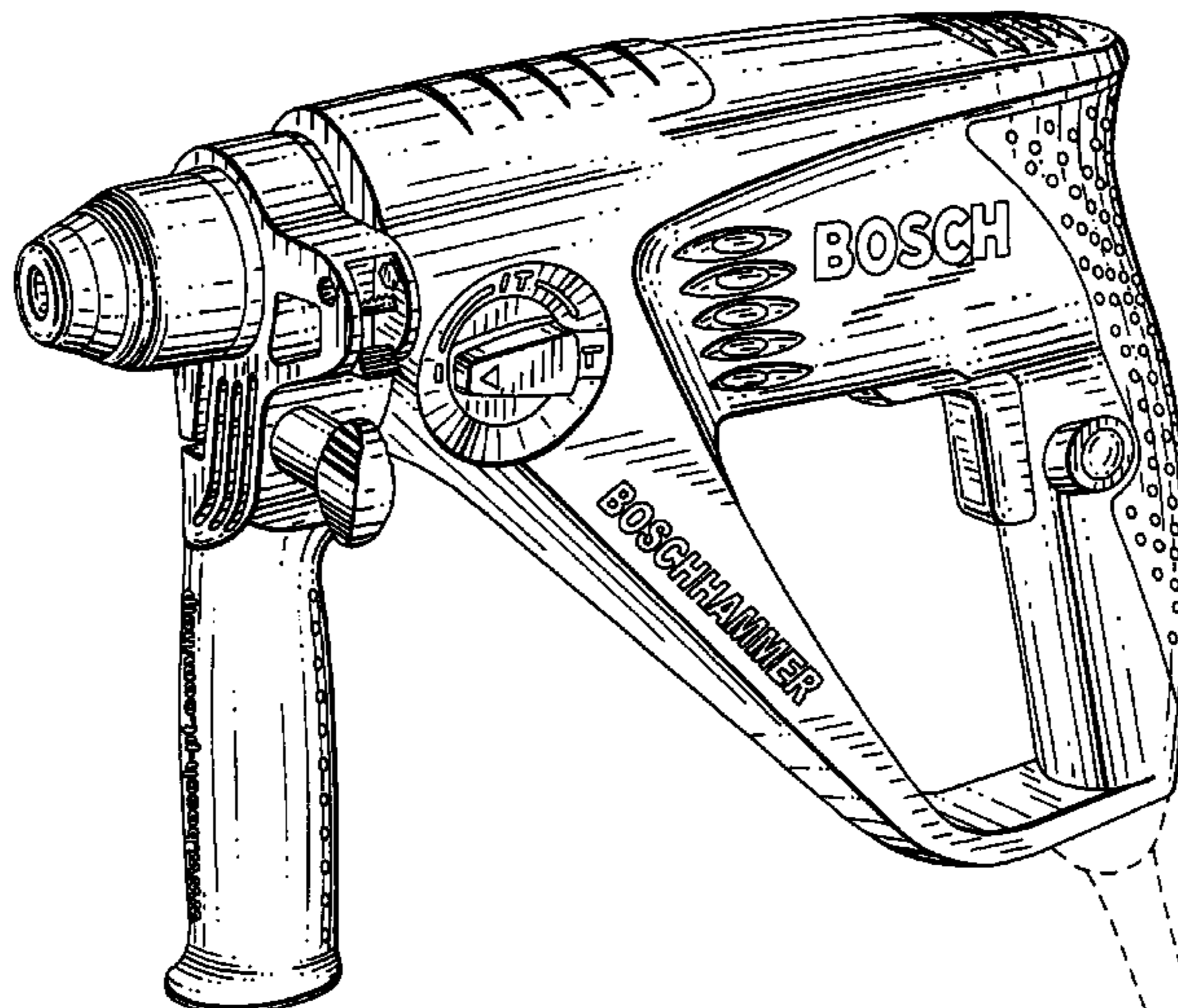
FIG. 13 is a top view thereof; and,

FIG. 14 is a bottom view thereof.

The broken line showing of environmental structure is for illustrative purposes only, and forms no part of the claimed design.

The names Bosch and Boschhammer displayed on the hammer drill are trademarks owned by Robert Bosch GmbH.

1 Claim, 14 Drawing Sheets



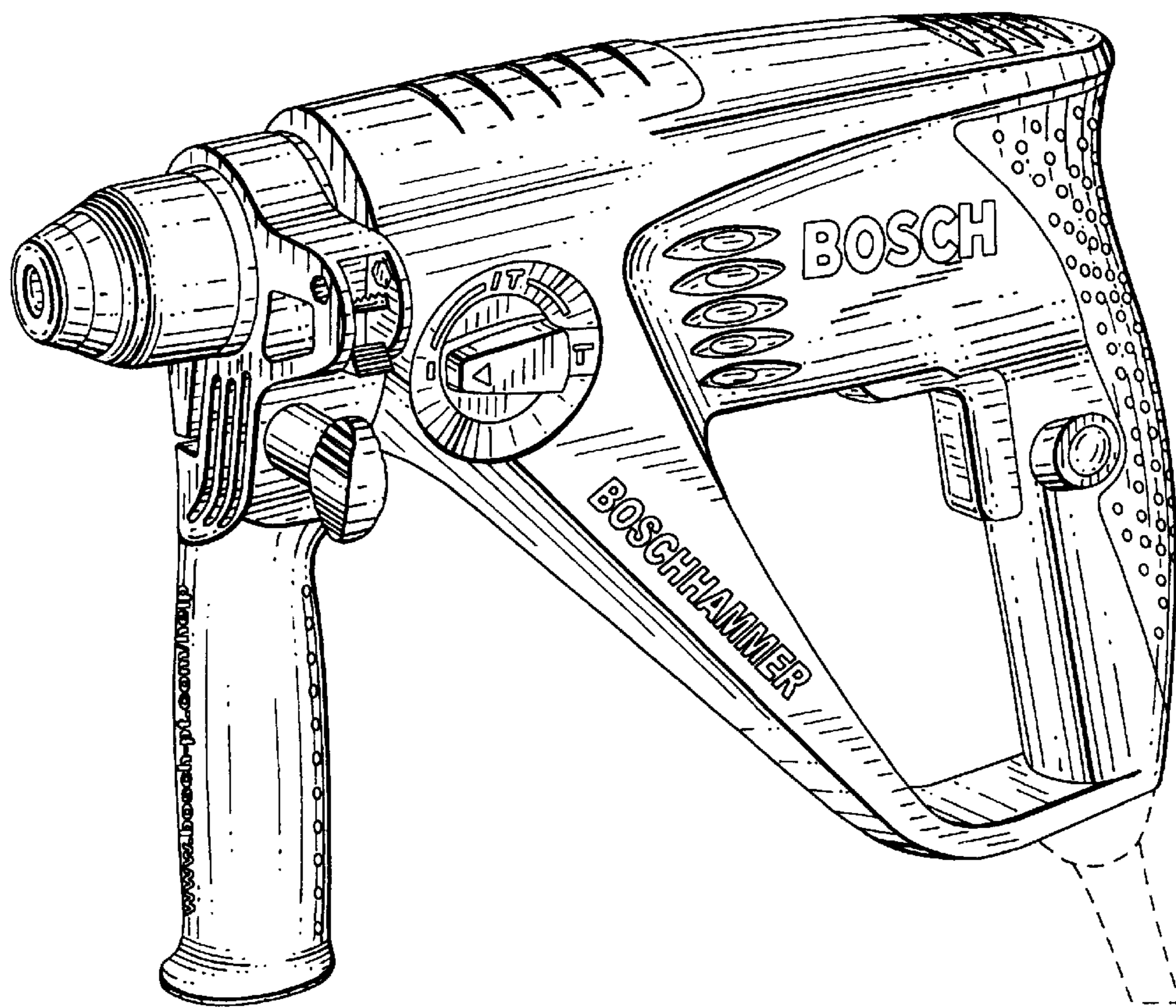


FIG. 1

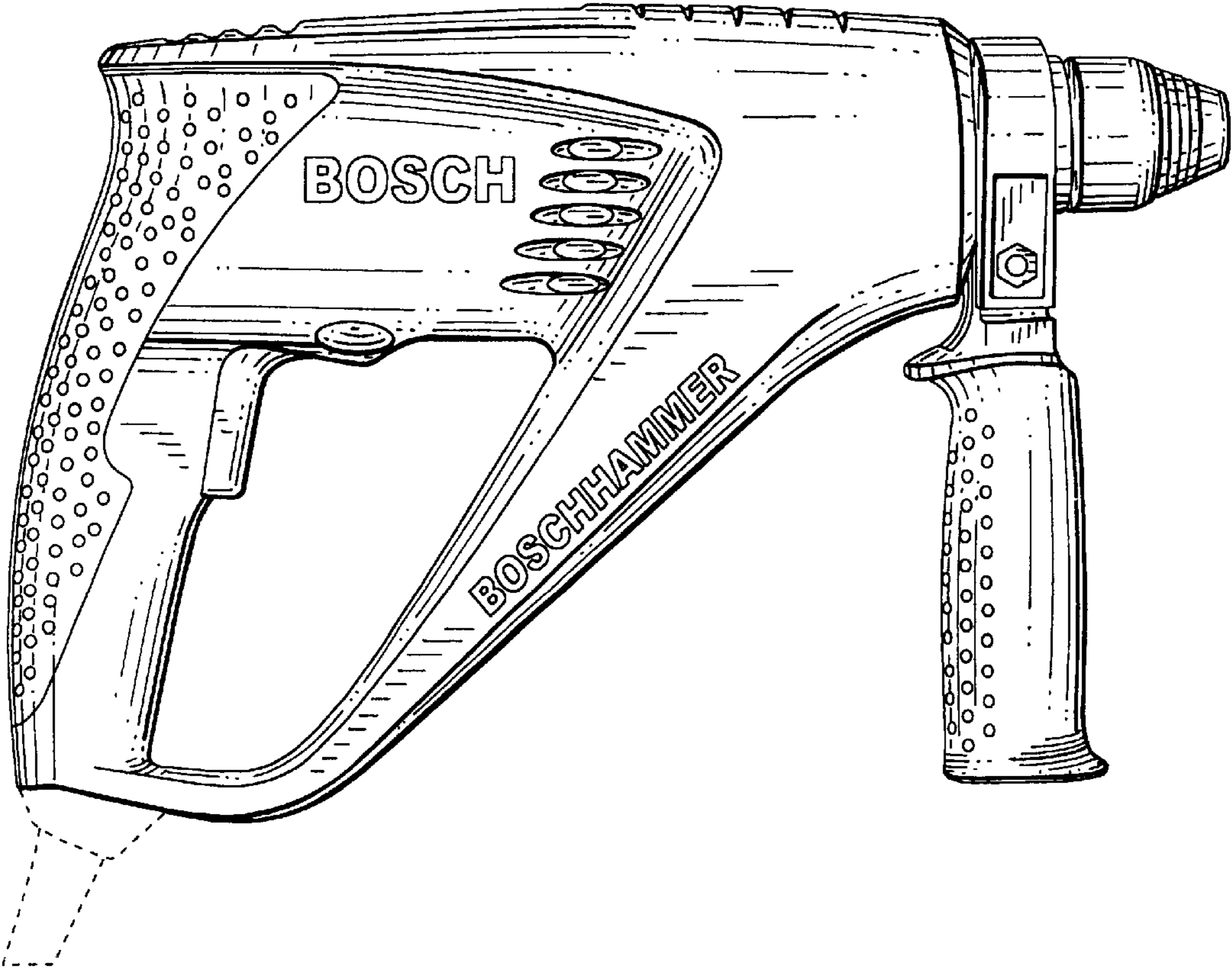


FIG. 2

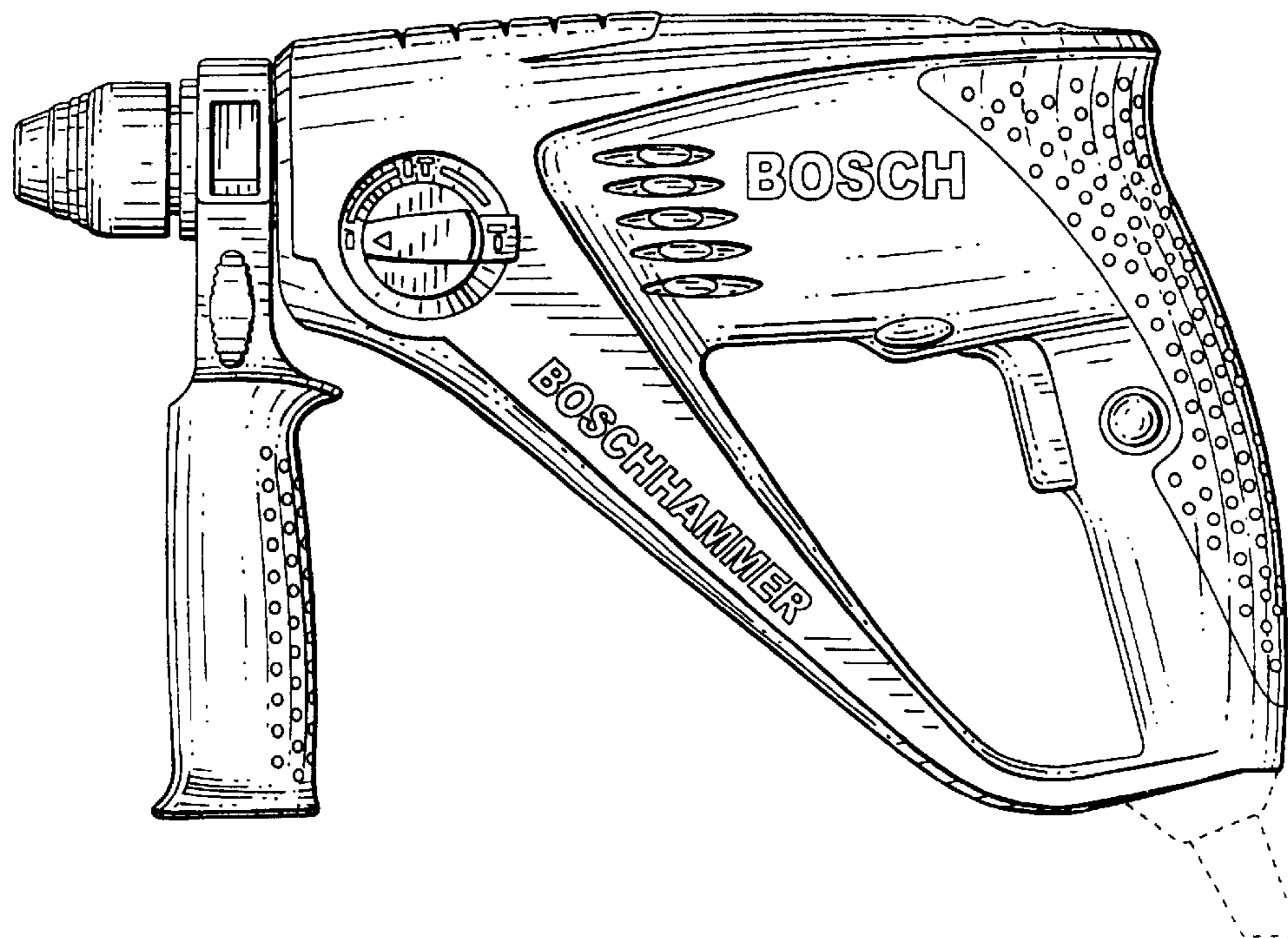


FIG. 3

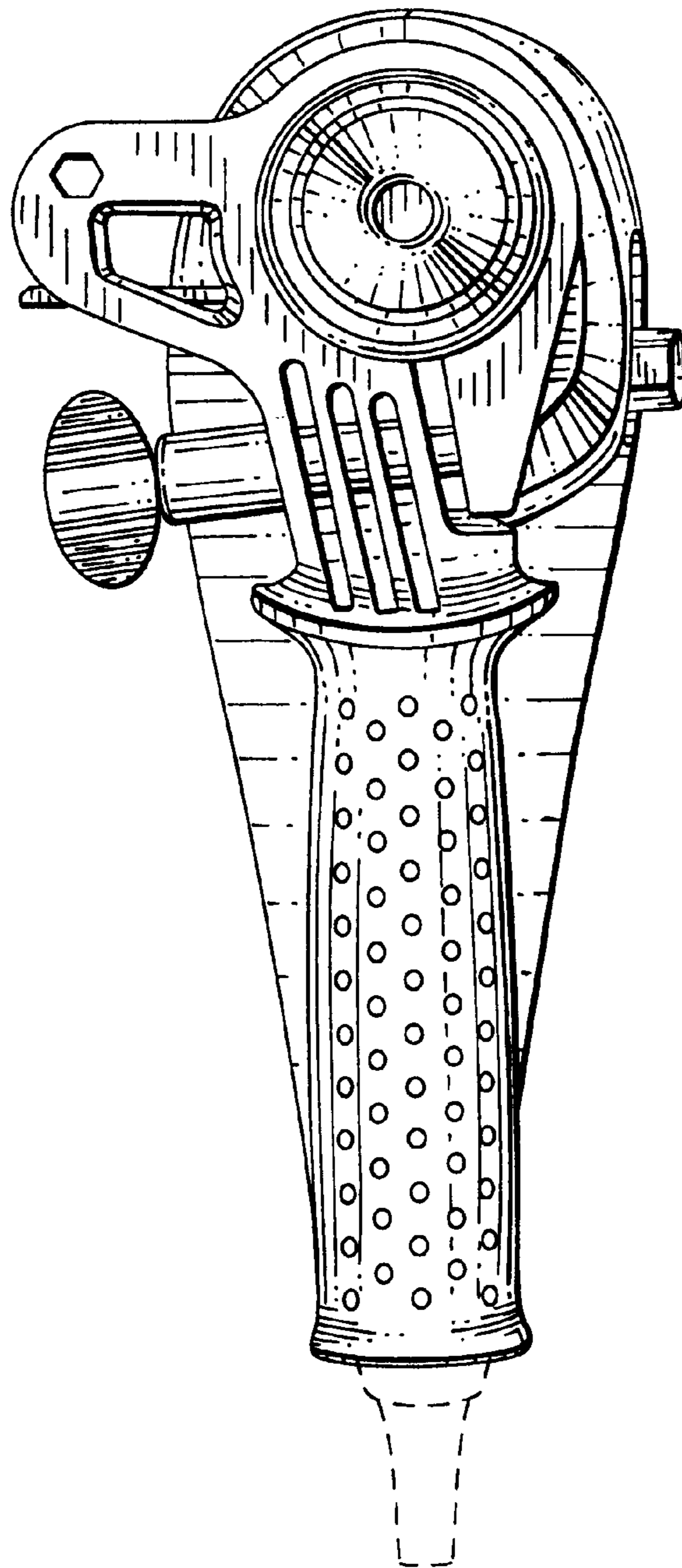


FIG. 4

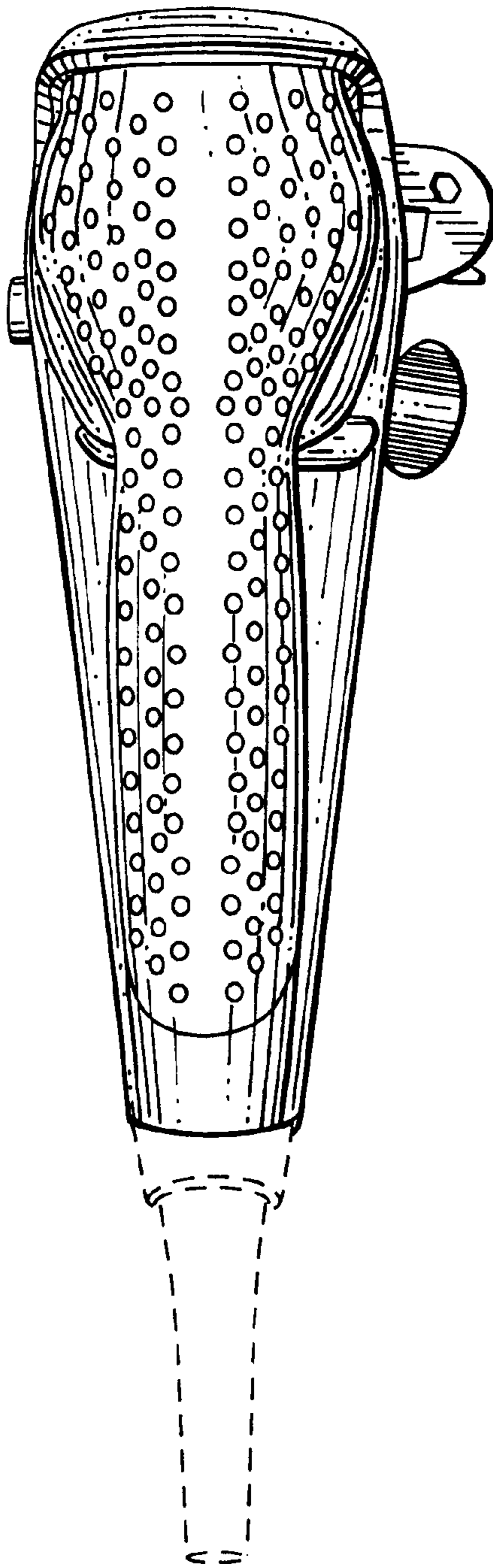


FIG. 5

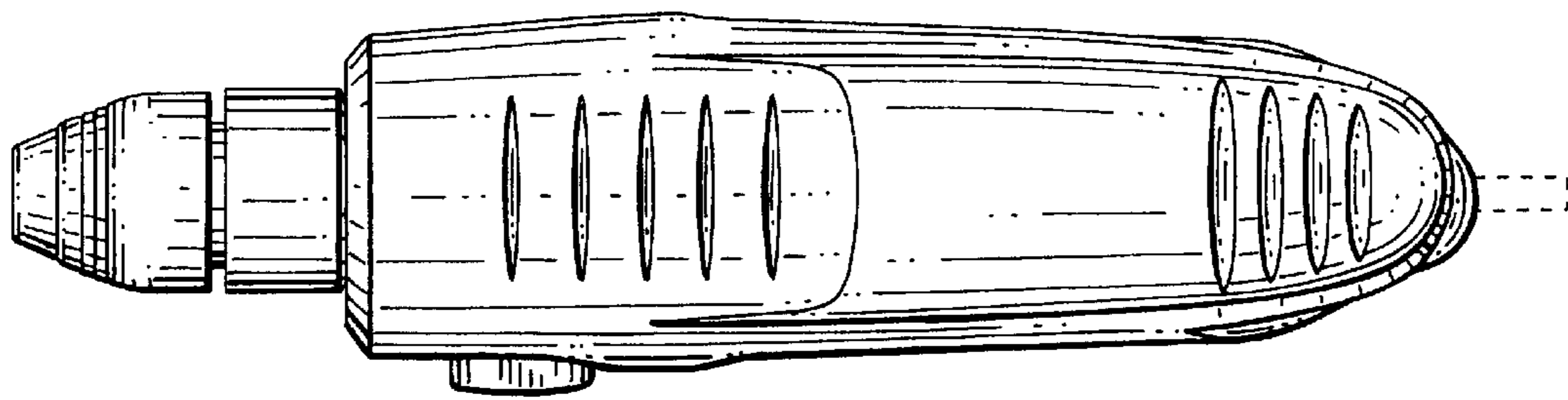


FIG. 6

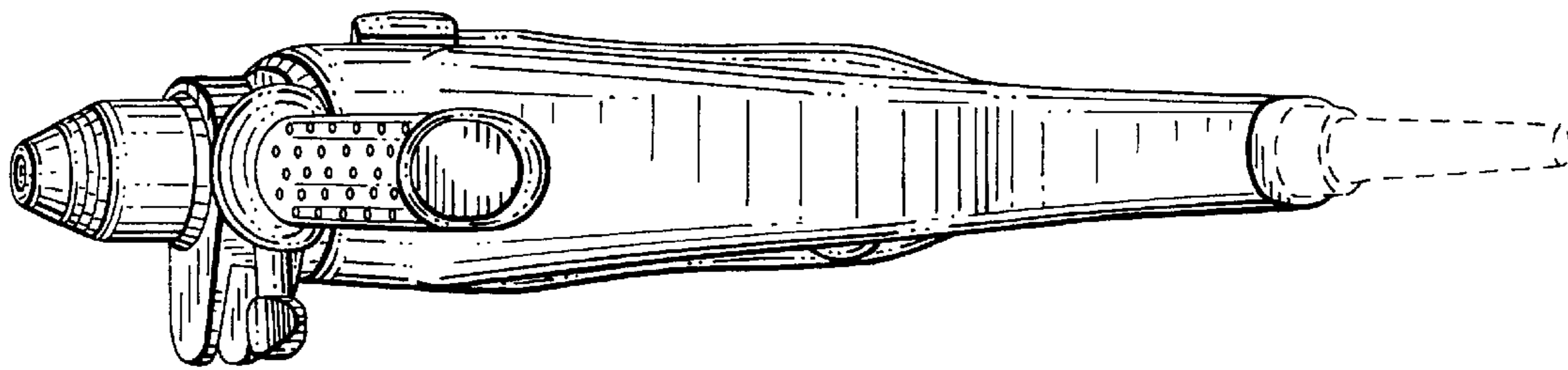


FIG. 7

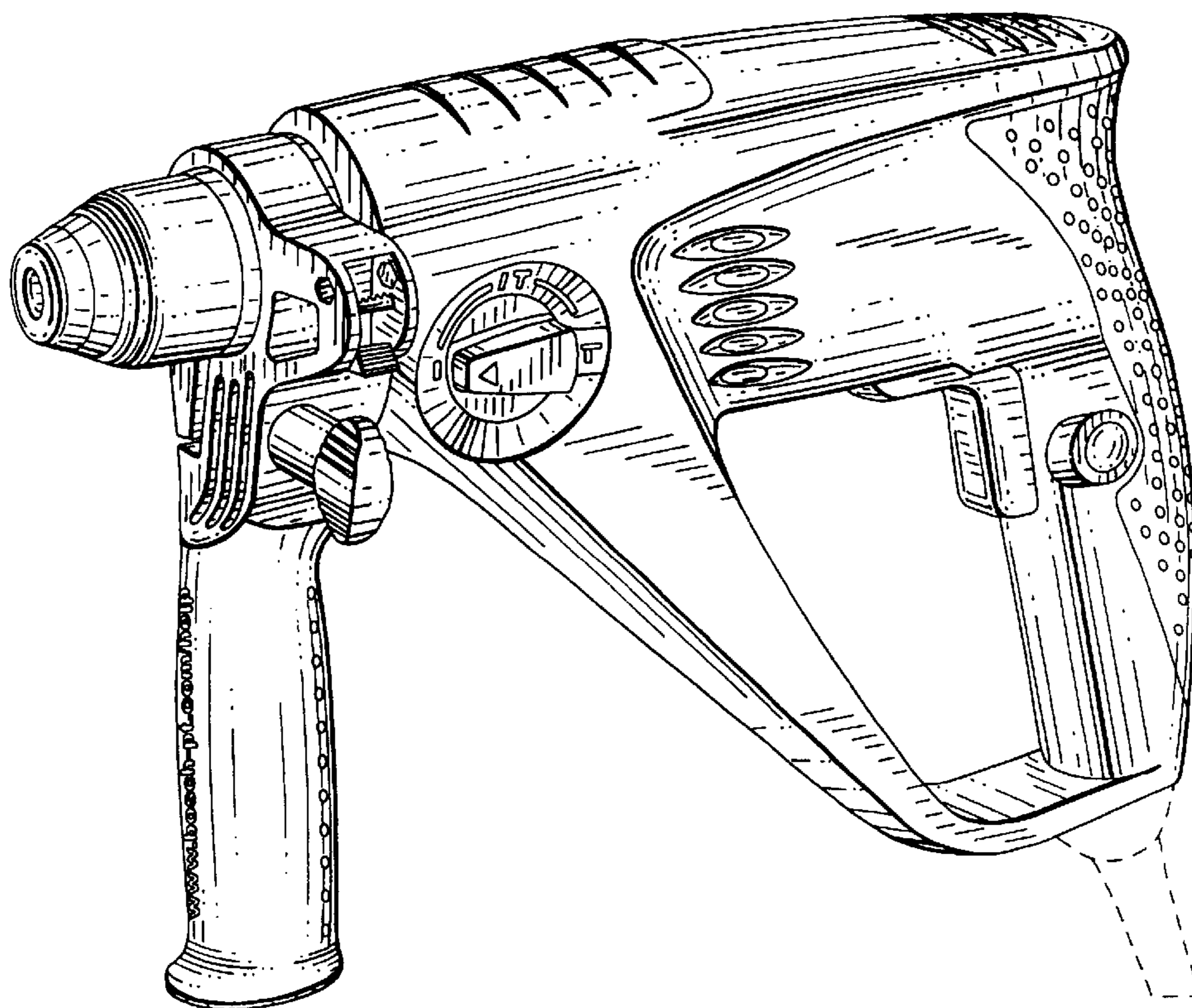


FIG. 8

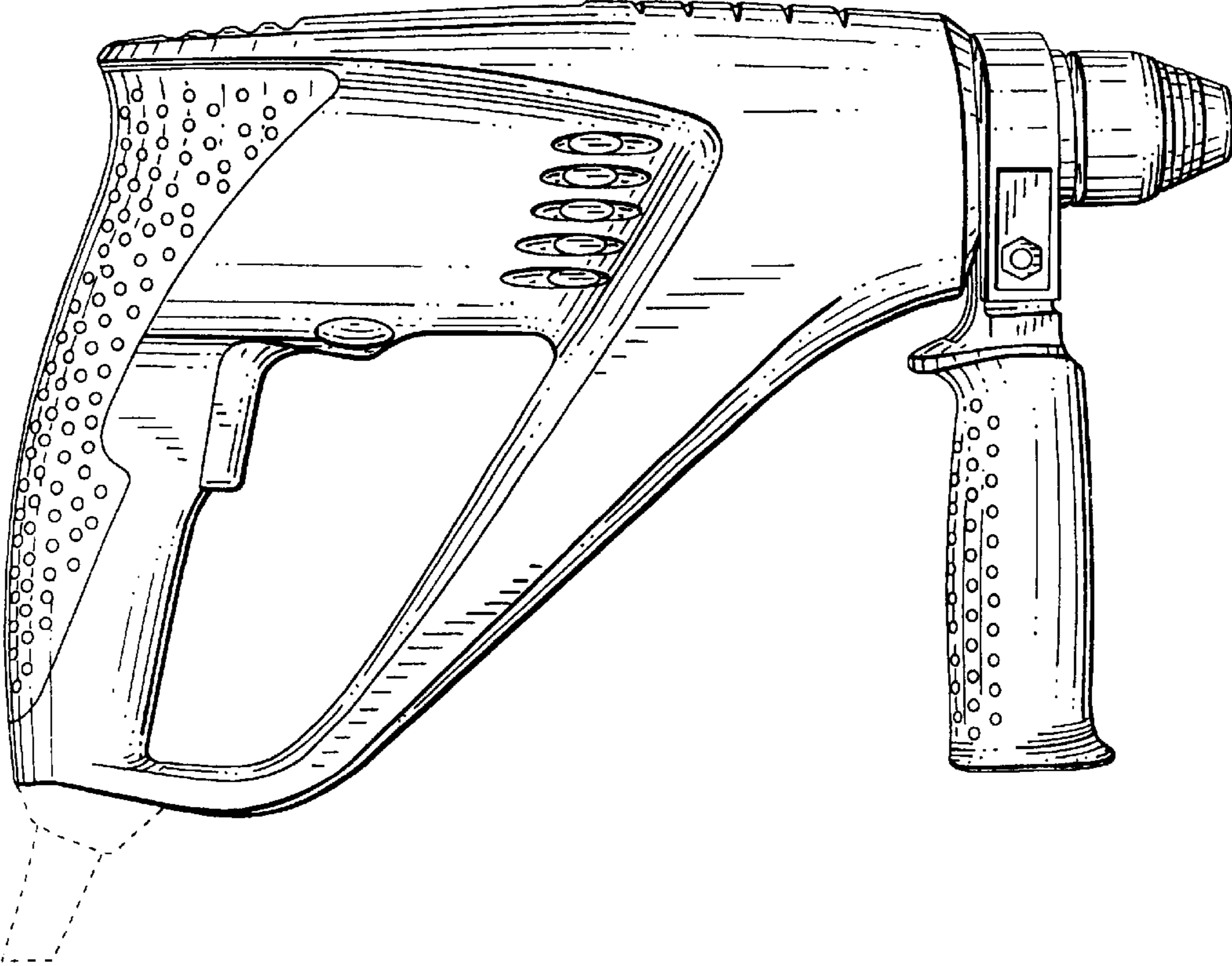


FIG. 9

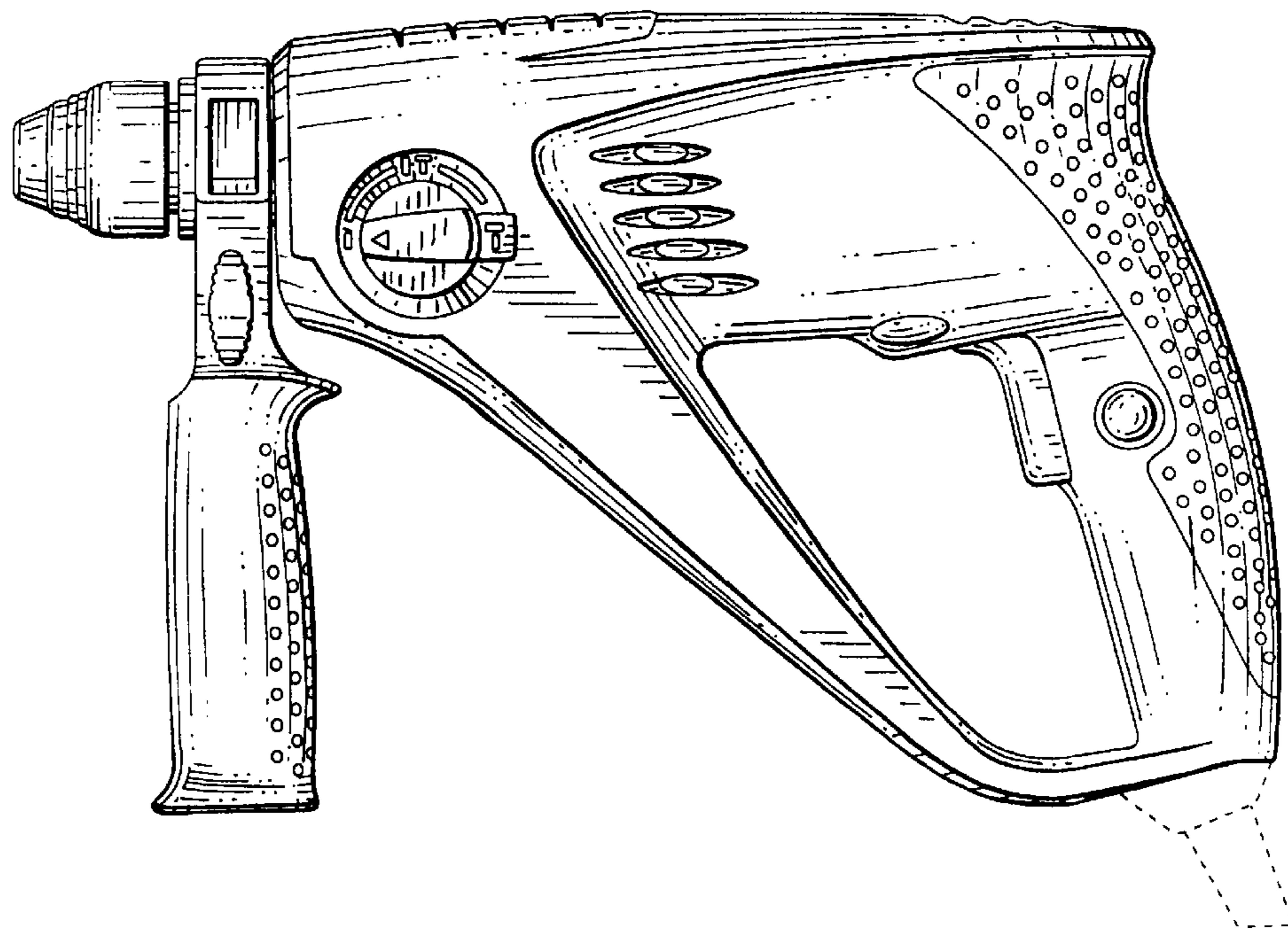


FIG. 10

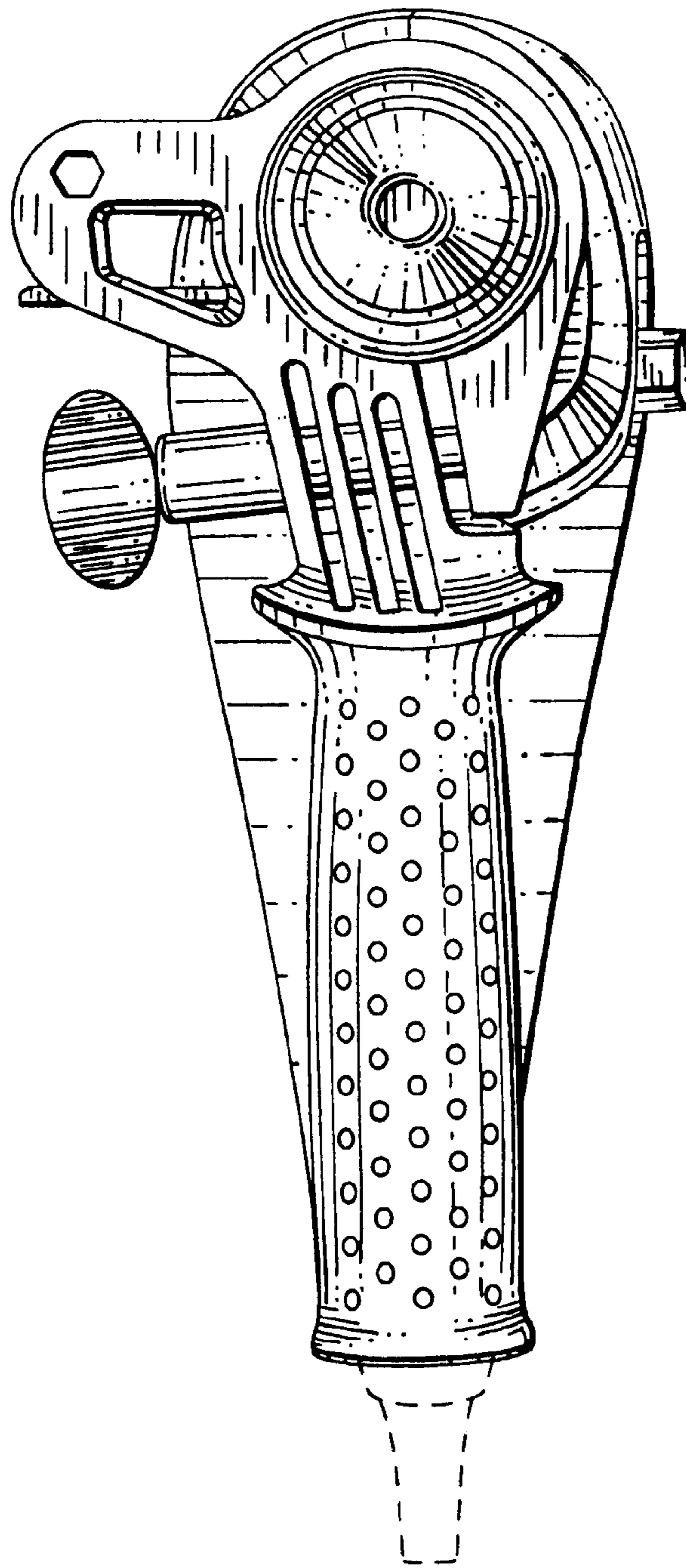


FIG. 11

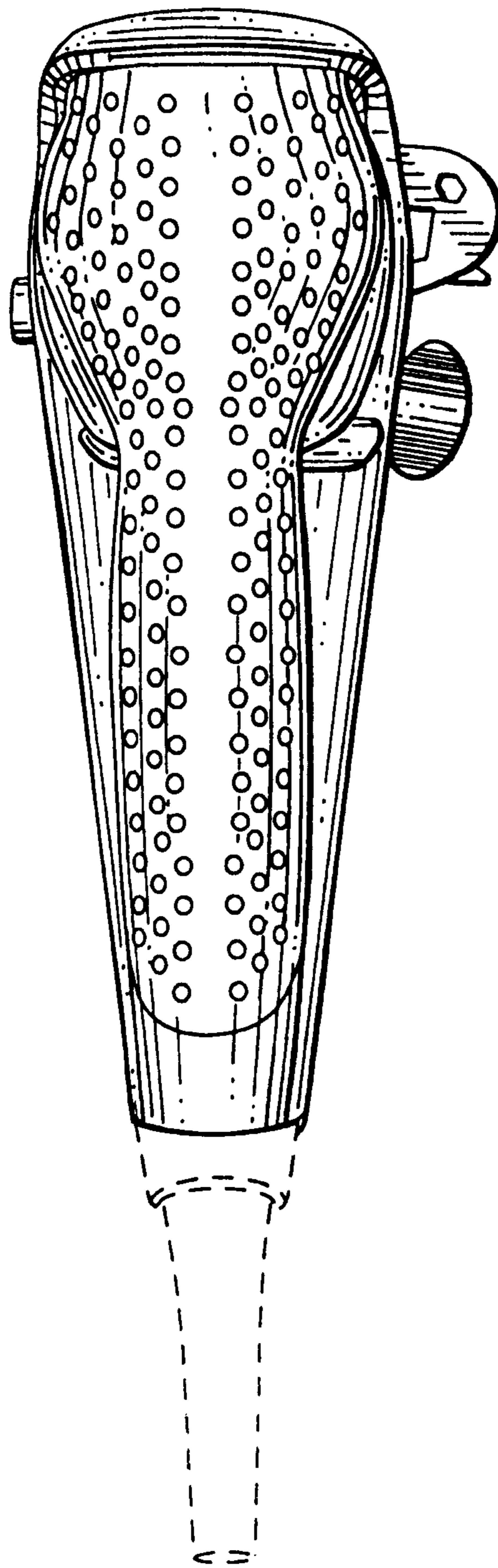


FIG. 12

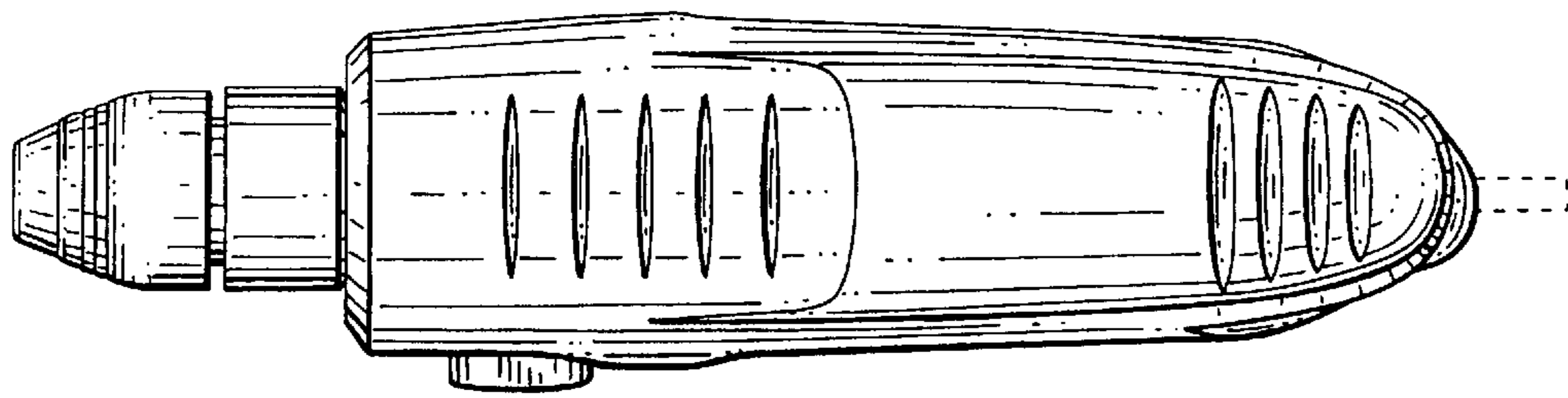


FIG. 13

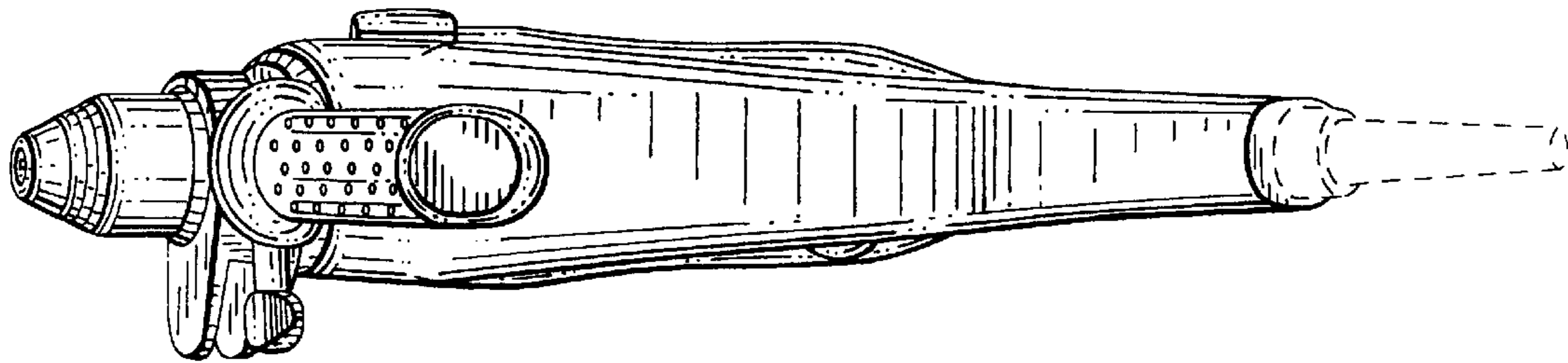


FIG. 14