

US00D508387S

(12) **United States Design Patent**  
Hsu et al.

(10) **Patent No.:** **US D508,387 S**

(45) **Date of Patent:** **\*\* Aug. 16, 2005**

(54) **CORDLESS ELECTRIC RATCHET WRENCH**

(75) Inventors: **Chih-Hua Hsu**, Taichung (TW);  
**Yu-Min Su**, Taichung (TW);  
**Chen-Chen Cheng**, Taichung (TW)

(73) Assignee: **Techway Industrial Co., LTD**,  
Taichung (TW)

(\*\*) Term: **14 Years**

(21) Appl. No.: **29/206,708**

(22) Filed: **Jun. 3, 2004**

(51) **LOC (8) Cl.** ..... **08-04**

(52) **U.S. Cl.** ..... **D8/61**

(58) **Field of Search** ..... D8/61, 62, 70;  
81/54, 57.11, 57.13, 57.14, 57.29, 57.39,  
177.1, 429, 469; 173/168, 169, 170, 182,  
216, 217, 221; 310/47, 50

(56) **References Cited**

**U.S. PATENT DOCUMENTS**

D316,216 S \* 4/1991 Gierke et al. .... D8/61  
D352,645 S \* 11/1994 Ichikawa ..... D8/61  
5,450,773 A \* 9/1995 Darrah et al. .... 81/57.39

D391,820 S \* 3/1998 Bunyea ..... D8/61  
D441,267 S \* 5/2001 Heun ..... D8/61  
6,257,351 B1 \* 7/2001 Ark et al. .... 173/178  
D497,785 S \* 11/2004 Izumisawa ..... D8/25  
6,817,424 B1 \* 11/2004 Su et al. .... 173/217

\* cited by examiner

*Primary Examiner*—Joel A. Sincavage

*Assistant Examiner*—Elizabeth Albert

(74) *Attorney, Agent, or Firm*—Bacon & Thomas PLLC

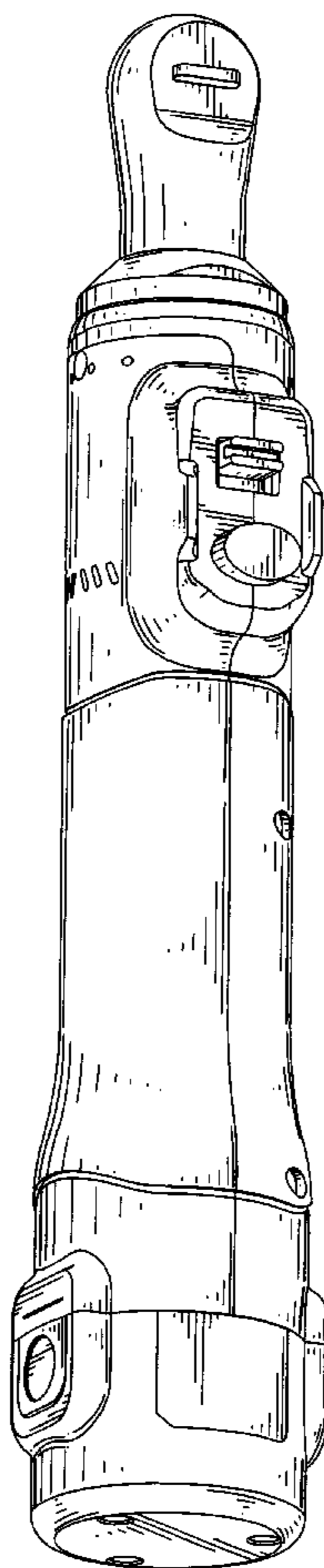
(57) **CLAIM**

The ornamental design for a cordless electric ratchet wrench,  
as shown.

**DESCRIPTION**

FIG. 1 is a perspective view of the cordless electric ratchet wrench showing our new design;  
FIG. 2 is a front elevational view thereof;  
FIG. 3 is a rear elevational view thereof;  
FIG. 4 is a left side view thereof;  
FIG. 5 is a right side view thereof;  
FIG. 6 is a top plan view thereof; and,  
FIG. 7 is a bottom plan view thereof.

**1 Claim, 6 Drawing Sheets**



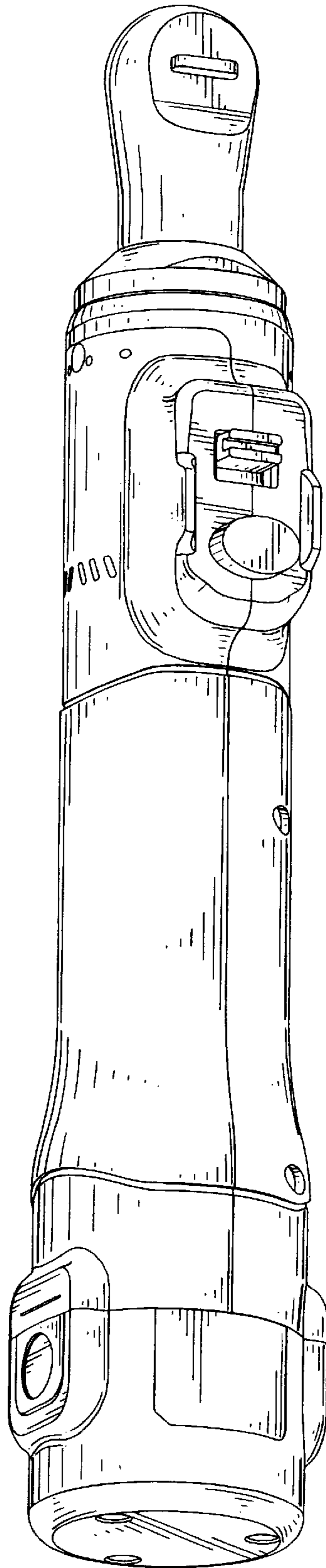


FIG. 1

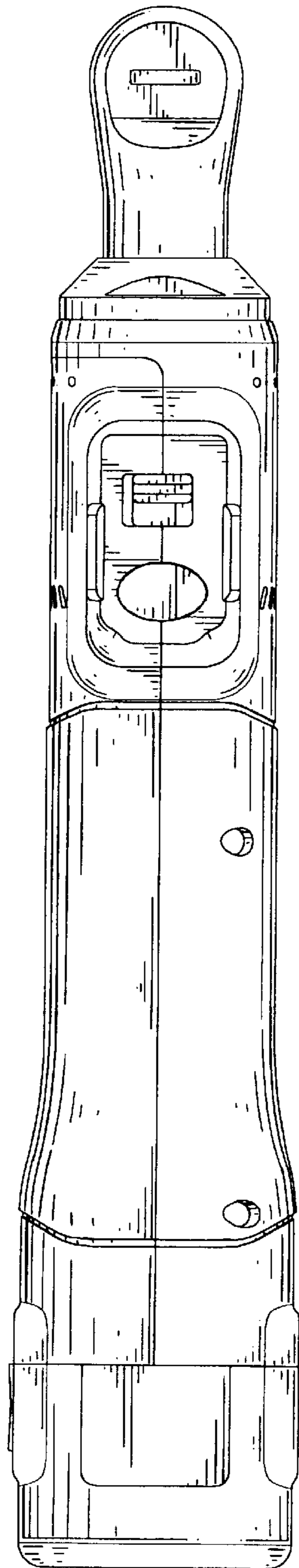


FIG. 2

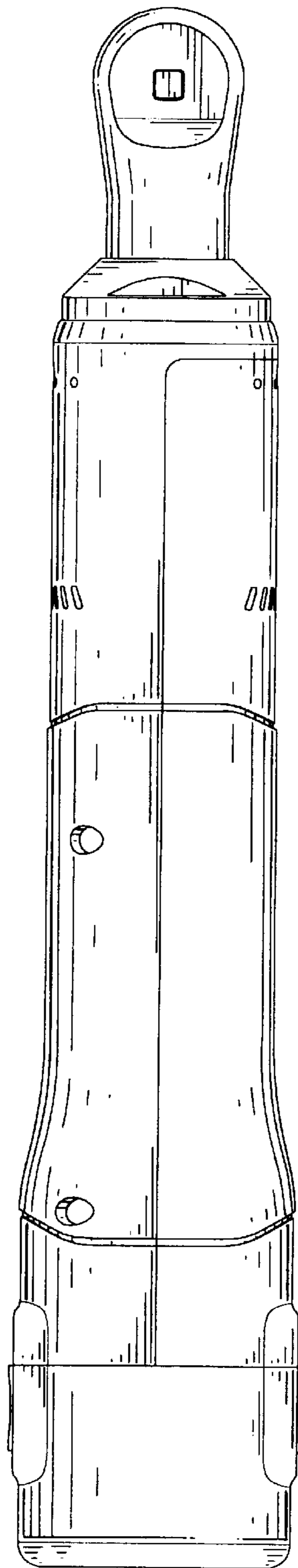


FIG. 3

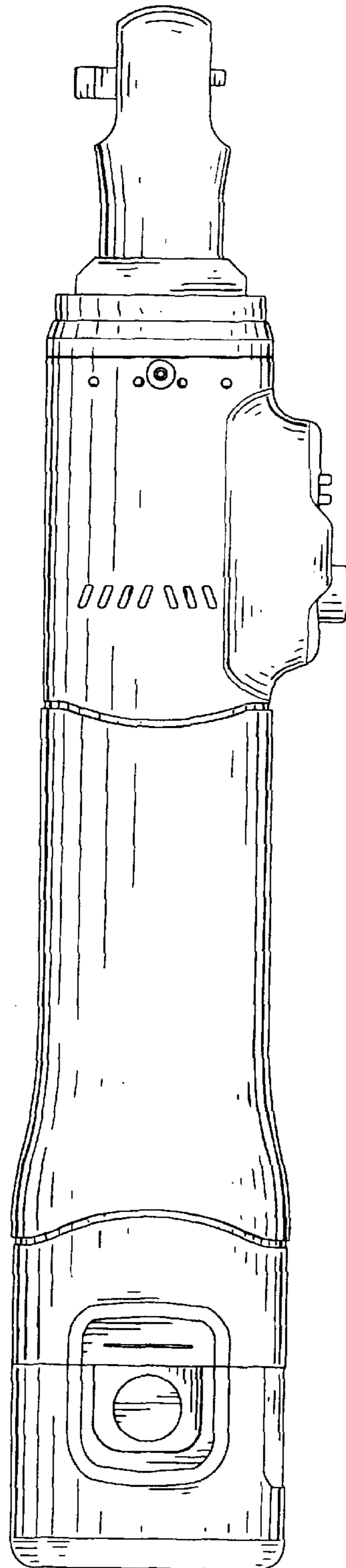


FIG. 4

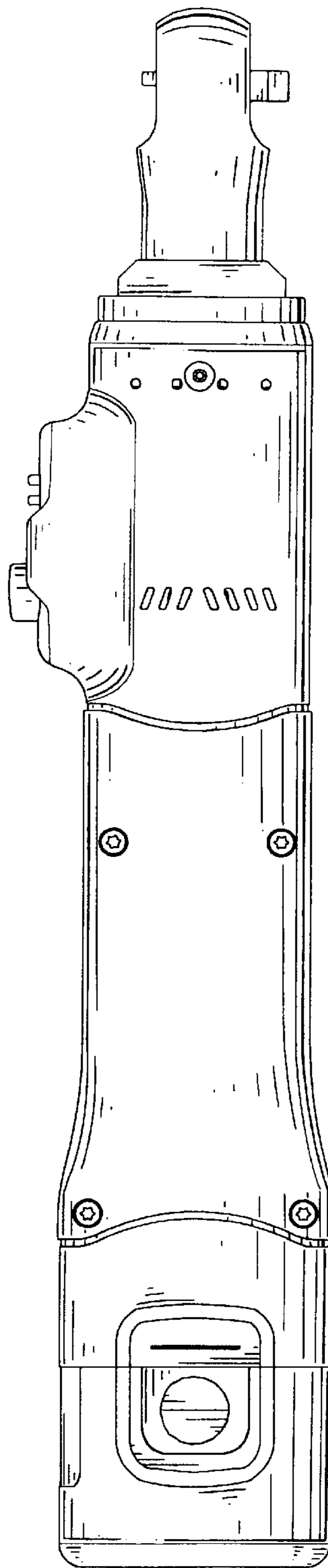


FIG. 5

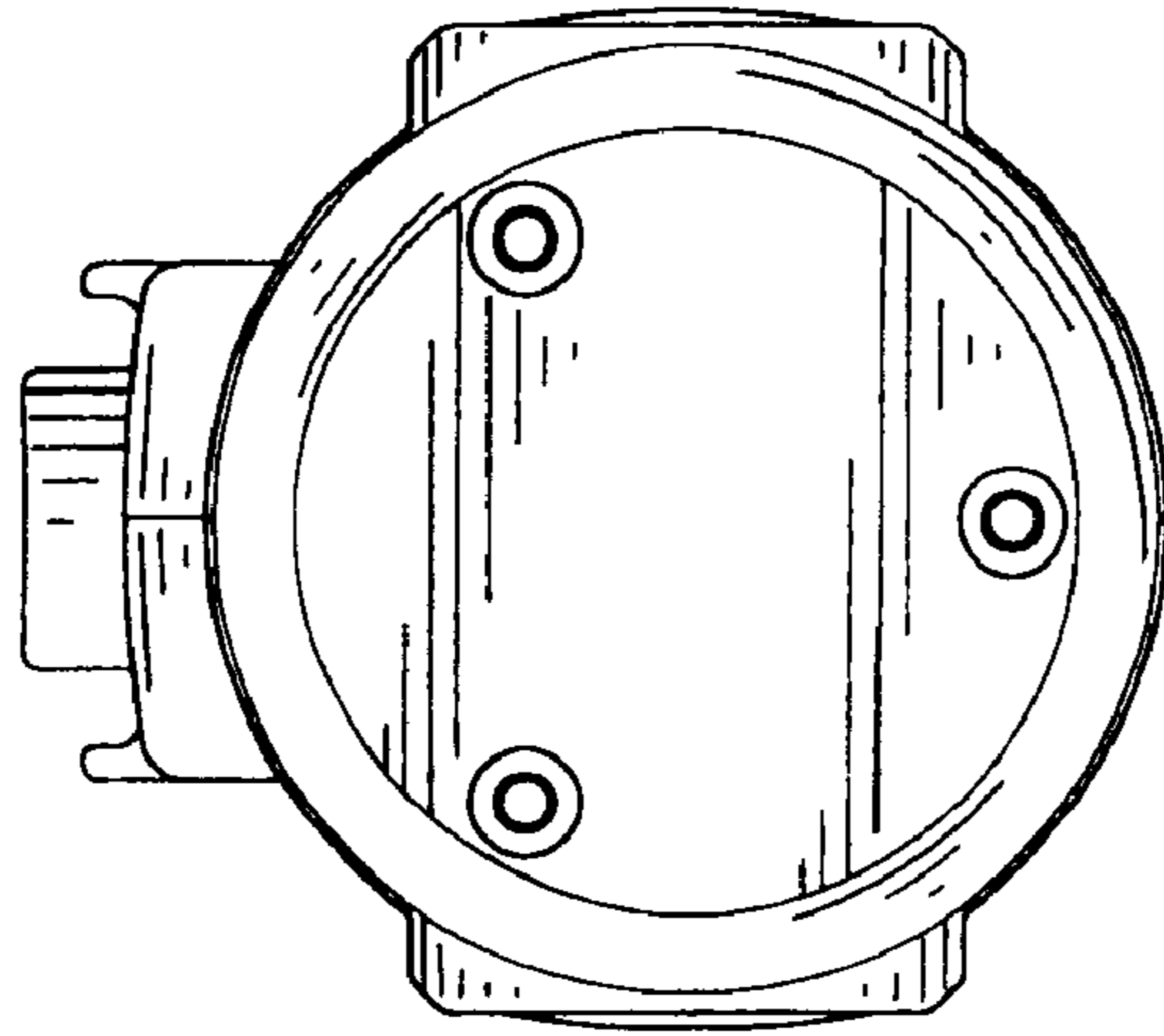


FIG. 7

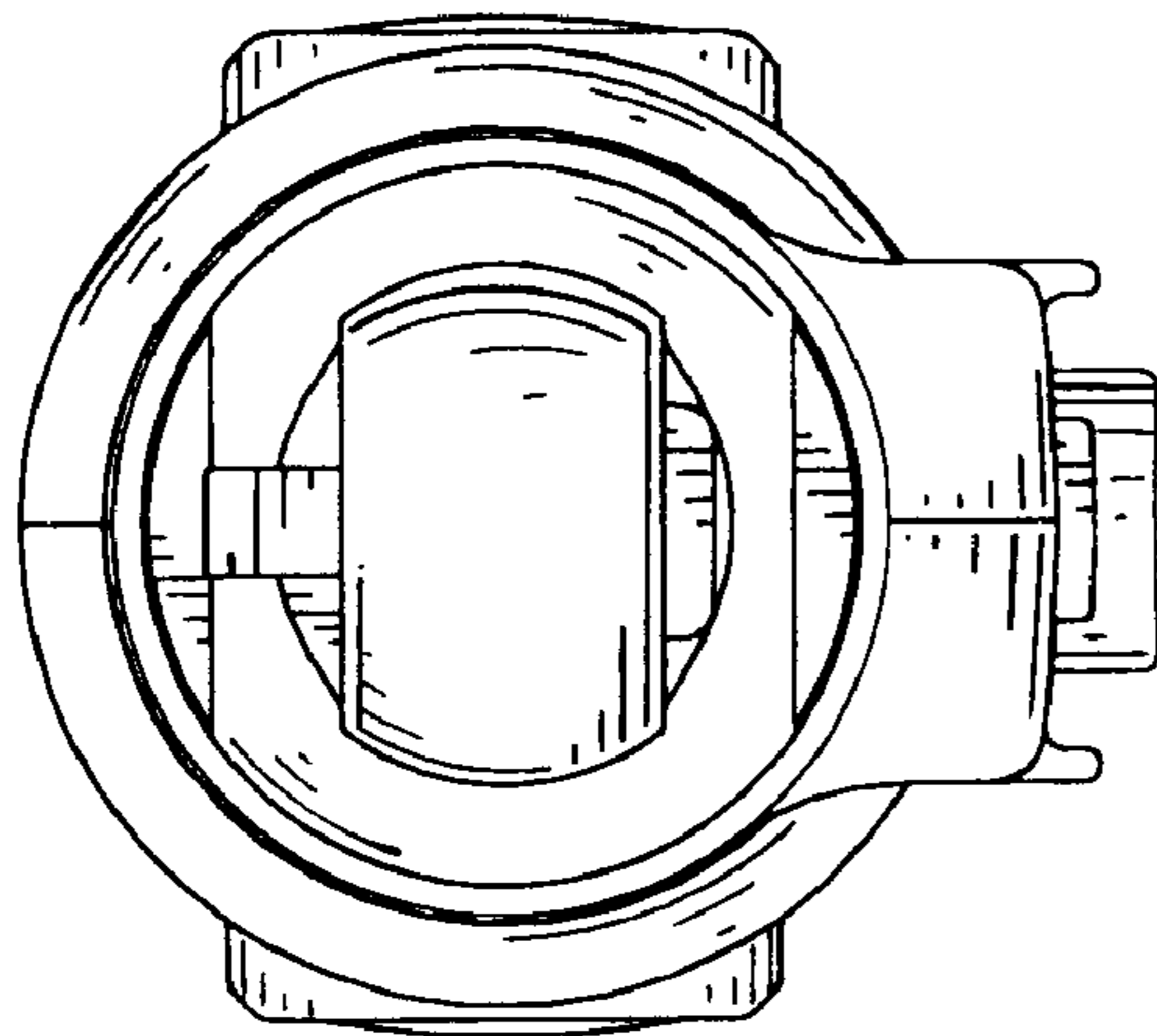


FIG. 6