

US00D508386S

(12) **United States Design Patent**
Lee

(10) **Patent No.:** **US D508,386 S**
(45) **Date of Patent:** **** Aug. 16, 2005**

(54) **ICE CREAM SCOOP**

D184,076 S * 12/1958 Wheaton D7/681
6,313,451 B1 * 11/2001 Vidmar et al. 219/757
D467,474 S * 12/2002 Laib D7/681

(75) Inventor: **Shek Tang Lee**, Tsuen Wan (HK)

(73) Assignee: **Hung Sang Metal Plastic Factory Limited**, Hong Kong (CN)

(**) Term: **14 Years**

* cited by examiner

Primary Examiner—Terry A. Wallace
(74) *Attorney, Agent, or Firm*—Harrison & Egbert

(21) Appl. No.: **29/209,044**

(57) **CLAIM**

(22) Filed: **Jul. 9, 2004**

I claim the ornamental design for a ice cream scoop, as shown and described.

(30) **Foreign Application Priority Data**

Jan. 14, 2004 (HK) 0410116

DESCRIPTION

(51) **LOC (8) Cl.** **07-99**

FIG. 1 is a side view of the ice cream scoop showing my design; an opposite side view being a mirror image thereof.

(52) **U.S. Cl.** **D7/681**

FIG. 2 is a bottom view thereof;

(58) **Field of Search** D7/681-696, 642-646,
D7/393, 395; 30/324-328; 294/55; 425/187-276,
279, 286, 283

FIG. 3 is a top plan view thereof;

FIG. 4 a rotated front view thereof;

FIG. 5 is a rotated back view thereof; and,

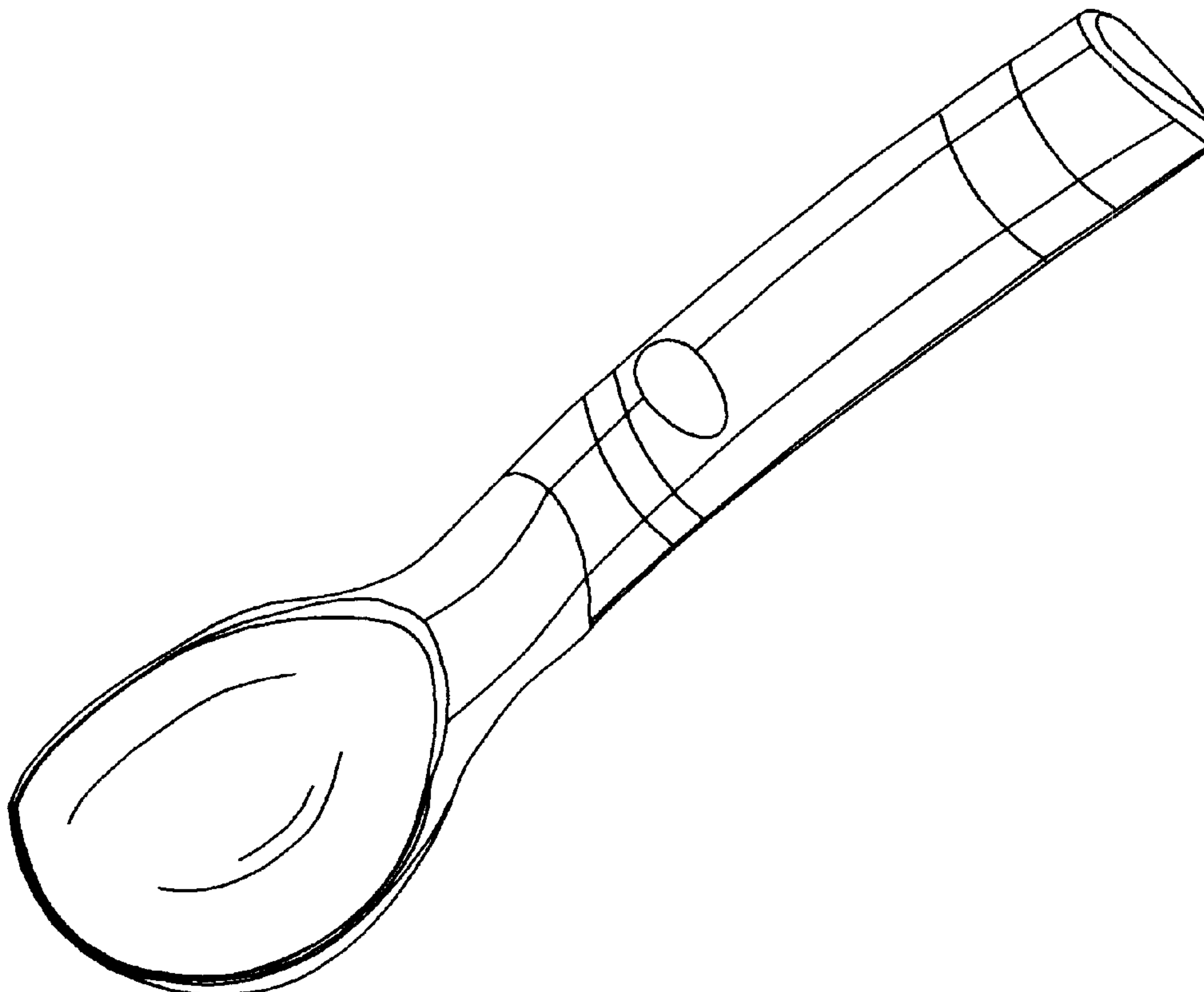
FIG. 6 is a perspective view thereof.

(56) **References Cited**

U.S. PATENT DOCUMENTS

2,351,568 A * 6/1944 Wheaton 425/177

1 Claim, 6 Drawing Sheets



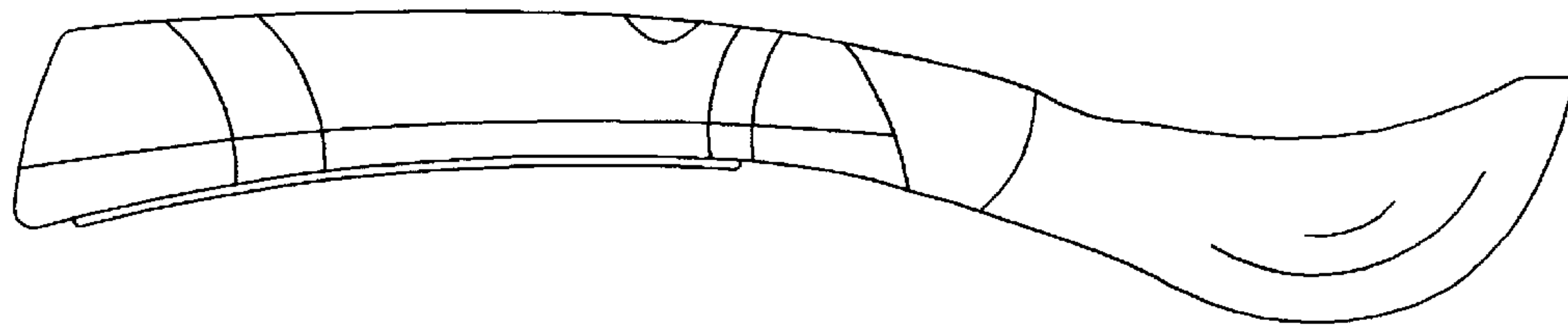


FIG. 1

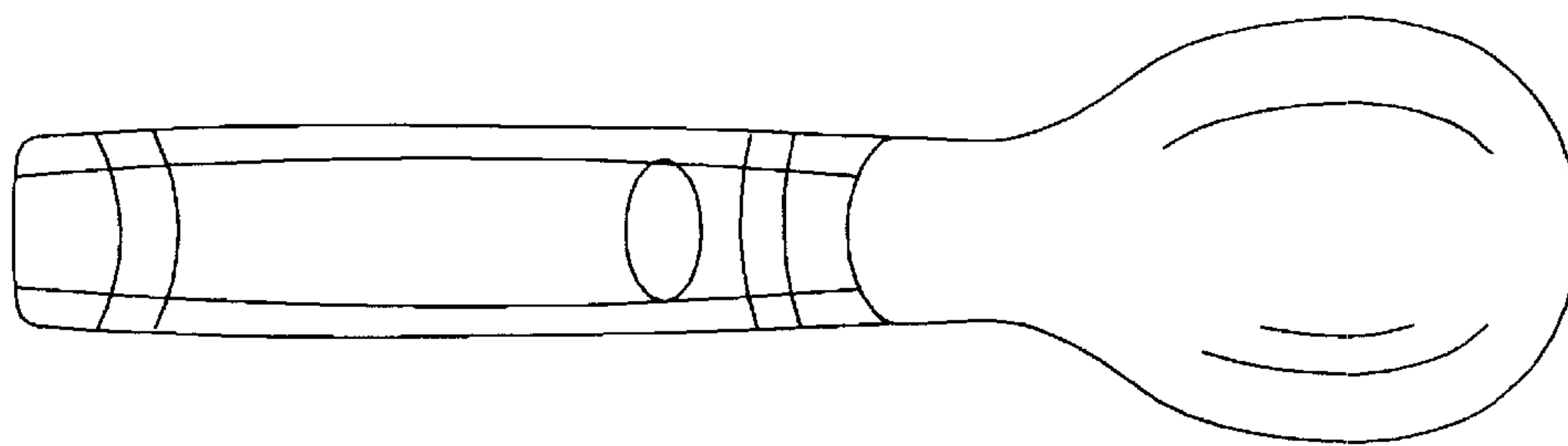


FIG. 2

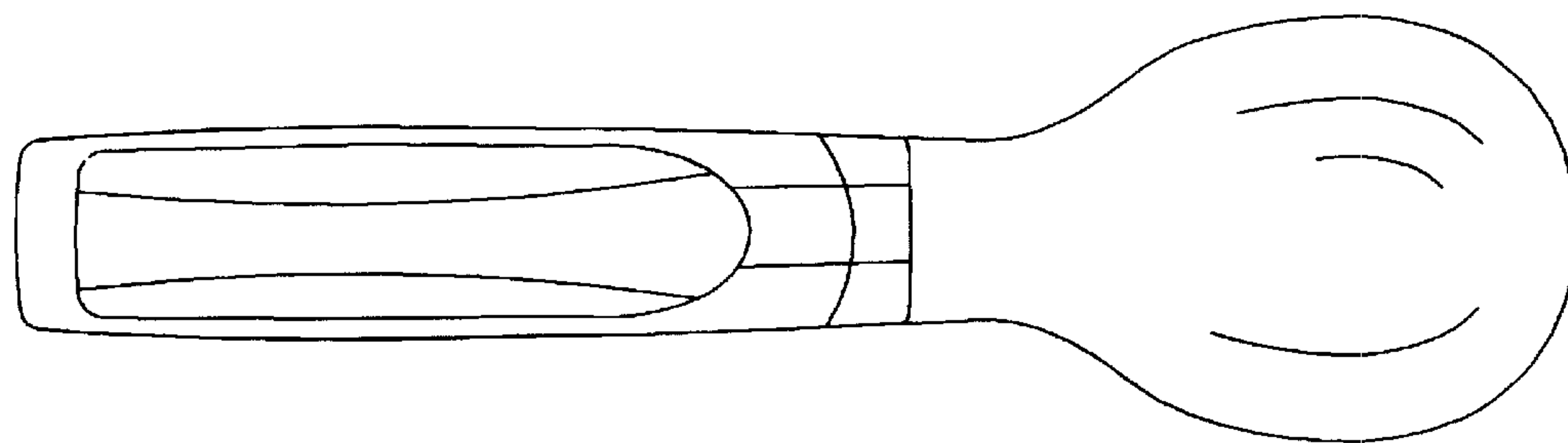


FIG. 3

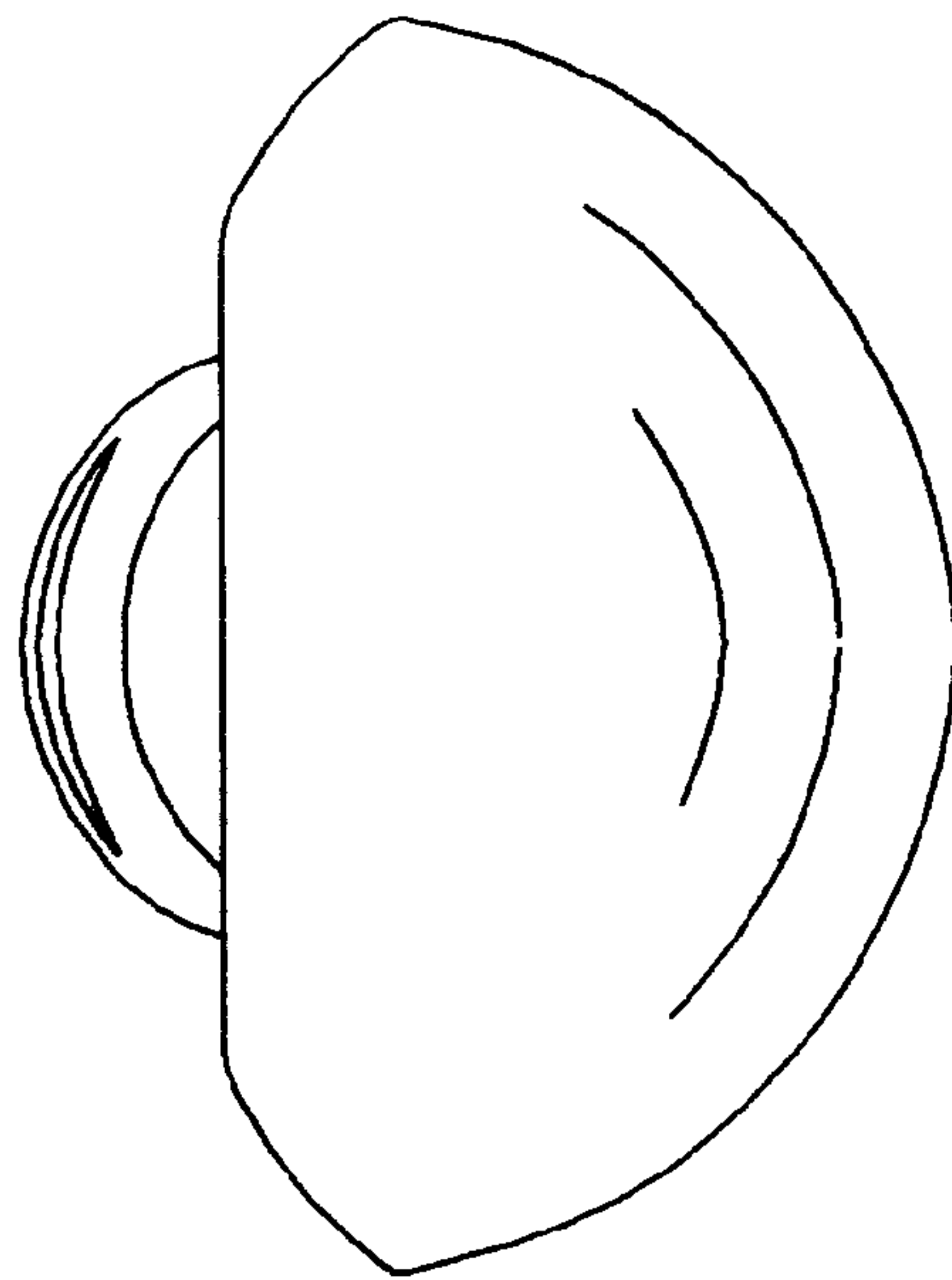


FIG. 4

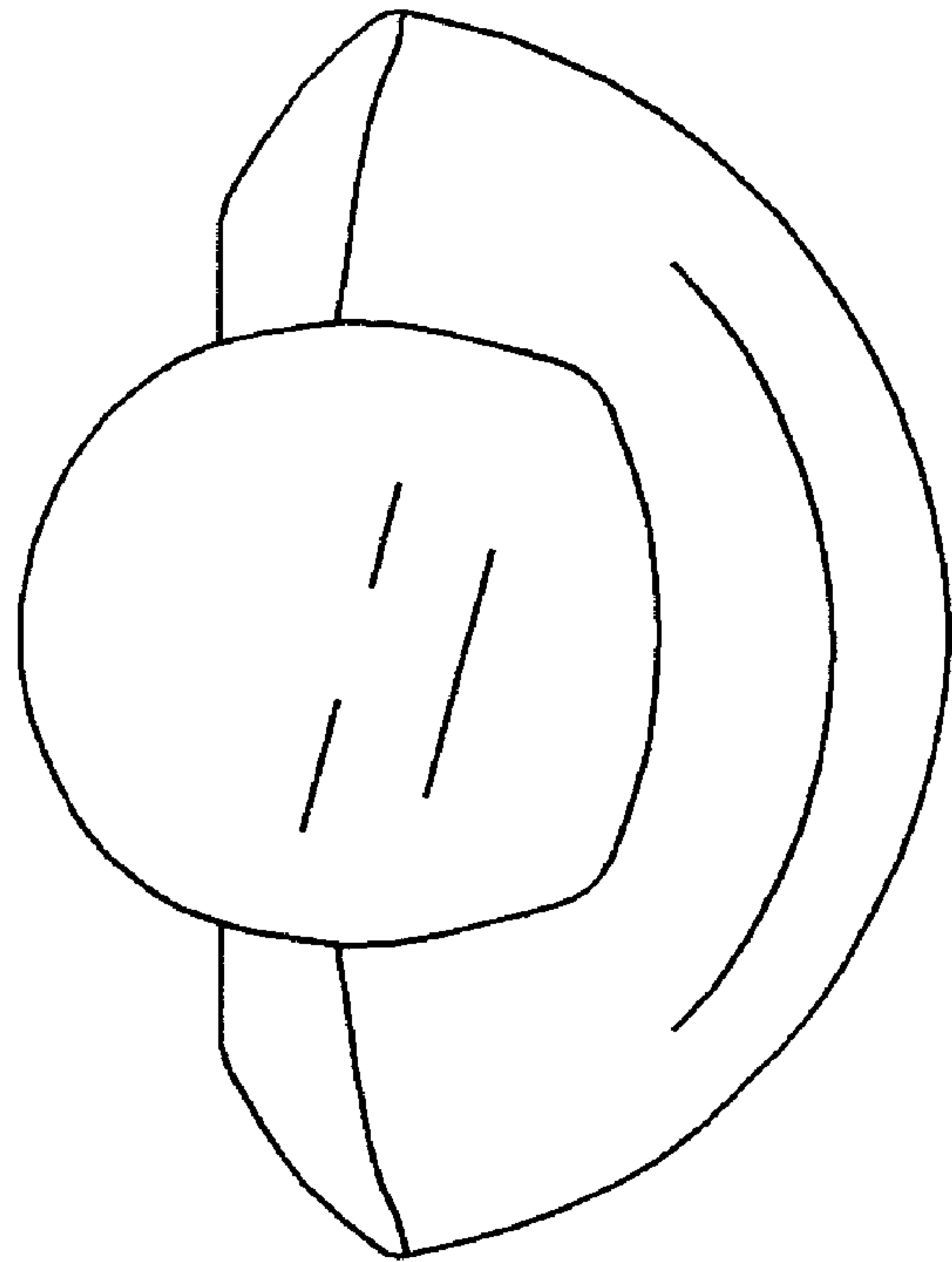


FIG. 5

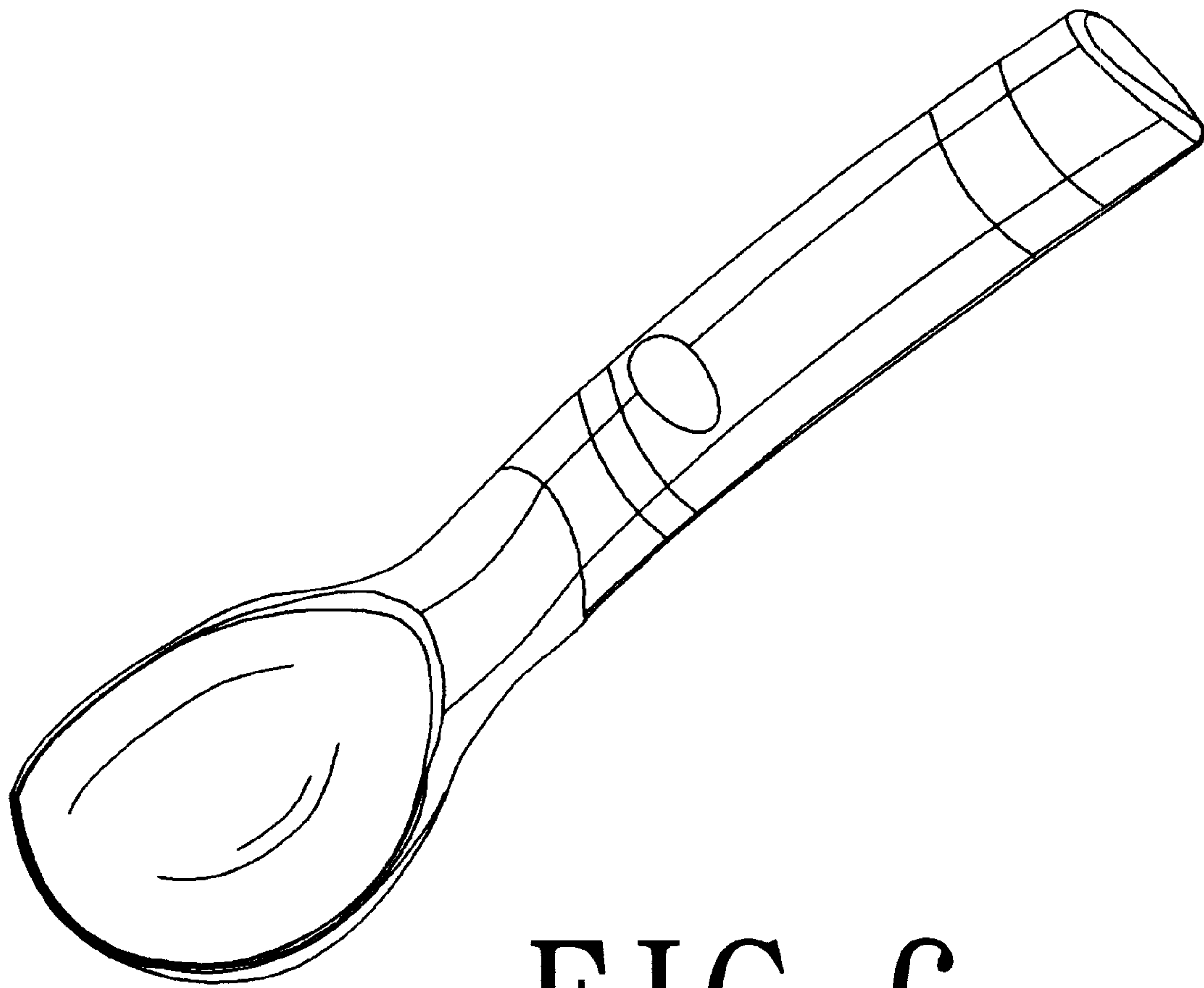


FIG. 6