

US00D508384S

(12) **United States Design Patent**
Lee

(10) **Patent No.: US D508,384 S**
(45) **Date of Patent: ** Aug. 16, 2005**

(54) **GOURMET SLICER**

(75) **Inventor: Shek Tang Lee, Hong Kong (HK)**

(73) **Assignee: Hung Sang Metal Plastic Factory Limited, Hong Kong (HK)**

(**) **Term: 14 Years**

(21) **Appl. No.: 29/207,151**

(22) **Filed: Jun. 10, 2004**

(30) **Foreign Application Priority Data**

Apr. 19, 2004 (HK) 0410801

(51) **LOC (8) Cl. 07-04**

(52) **U.S. Cl. D7/673**

(58) **Field of Search** D7/672-674, 383,
D7/666; 30/114; 99/507, 509, 545, 538;
83/435.5, 856, 857, 932

(56) **References Cited**

U.S. PATENT DOCUMENTS

2,906,020 A * 9/1959 Welsh 30/114
3,016,608 A * 1/1962 Myers 30/114
3,132,423 A * 5/1964 De Lano 30/114

3,468,355 A * 9/1969 Hall 99/537
D280,690 S * 9/1985 Bloxham D7/673
D296,176 S * 6/1988 Glenn D7/673
D298,790 S * 12/1988 Hutchinson D7/673
D388,665 S * 1/1998 So D7/673

* cited by examiner

Primary Examiner—Terry A. Wallace

(74) *Attorney, Agent, or Firm*—Harrison & Egbert

(57) **CLAIM**

I claim the ornamental design for a gourmet slicer, as shown and described.

DESCRIPTION

FIG. 1 is a front elevation view of the gourmet slicer showing my design.

FIG. 2 is a side view thereof;

FIG. 3 is an opposite side view thereof;

FIG. 4 a back view thereof;

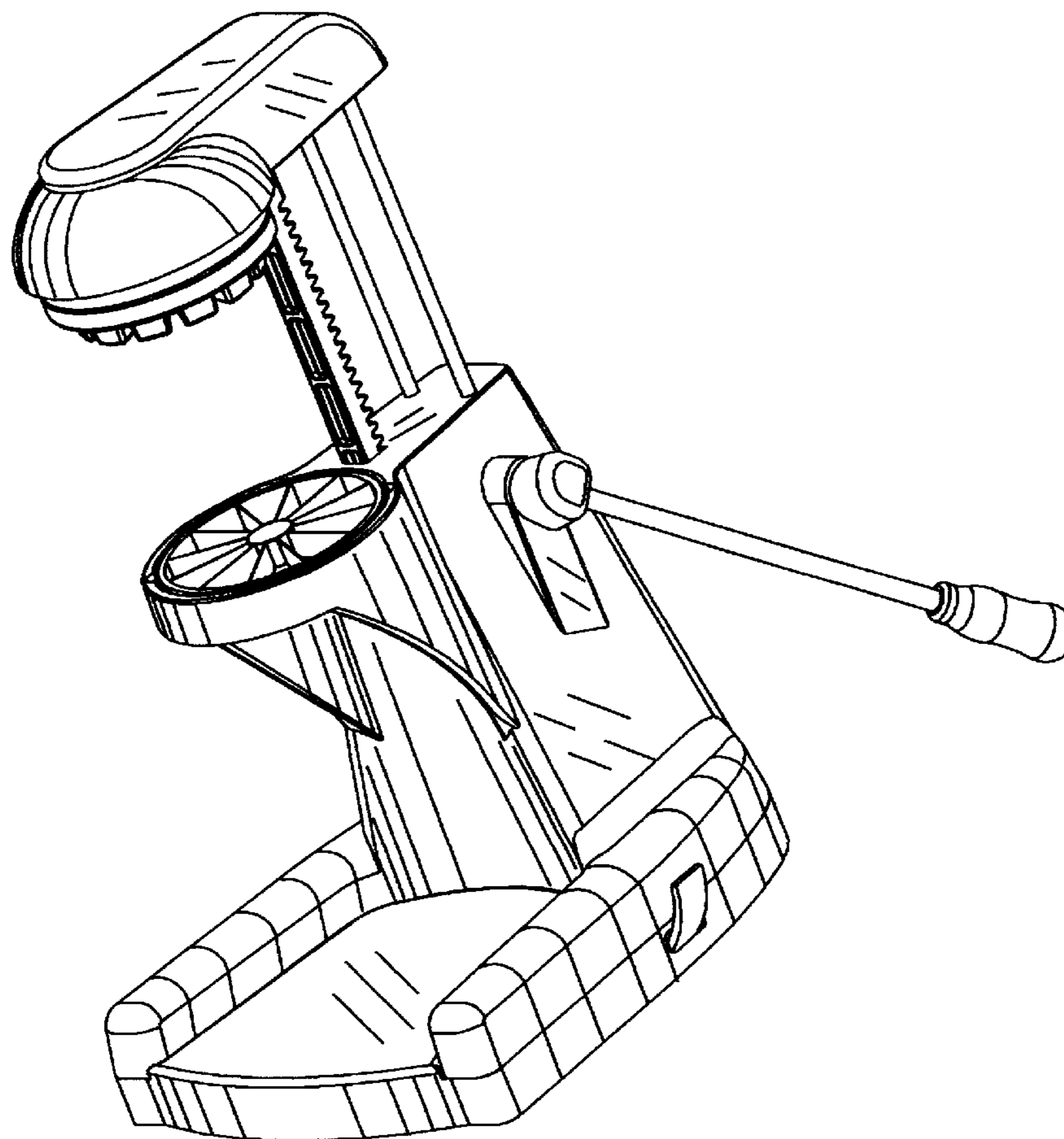
FIG. 5 is a bottom view thereof;

FIG. 6 is a top plan view thereof;

FIG. 7 is a perspective view thereof; and,

FIG. 8 is another perspective view thereof in an open position.

1 Claim, 8 Drawing Sheets



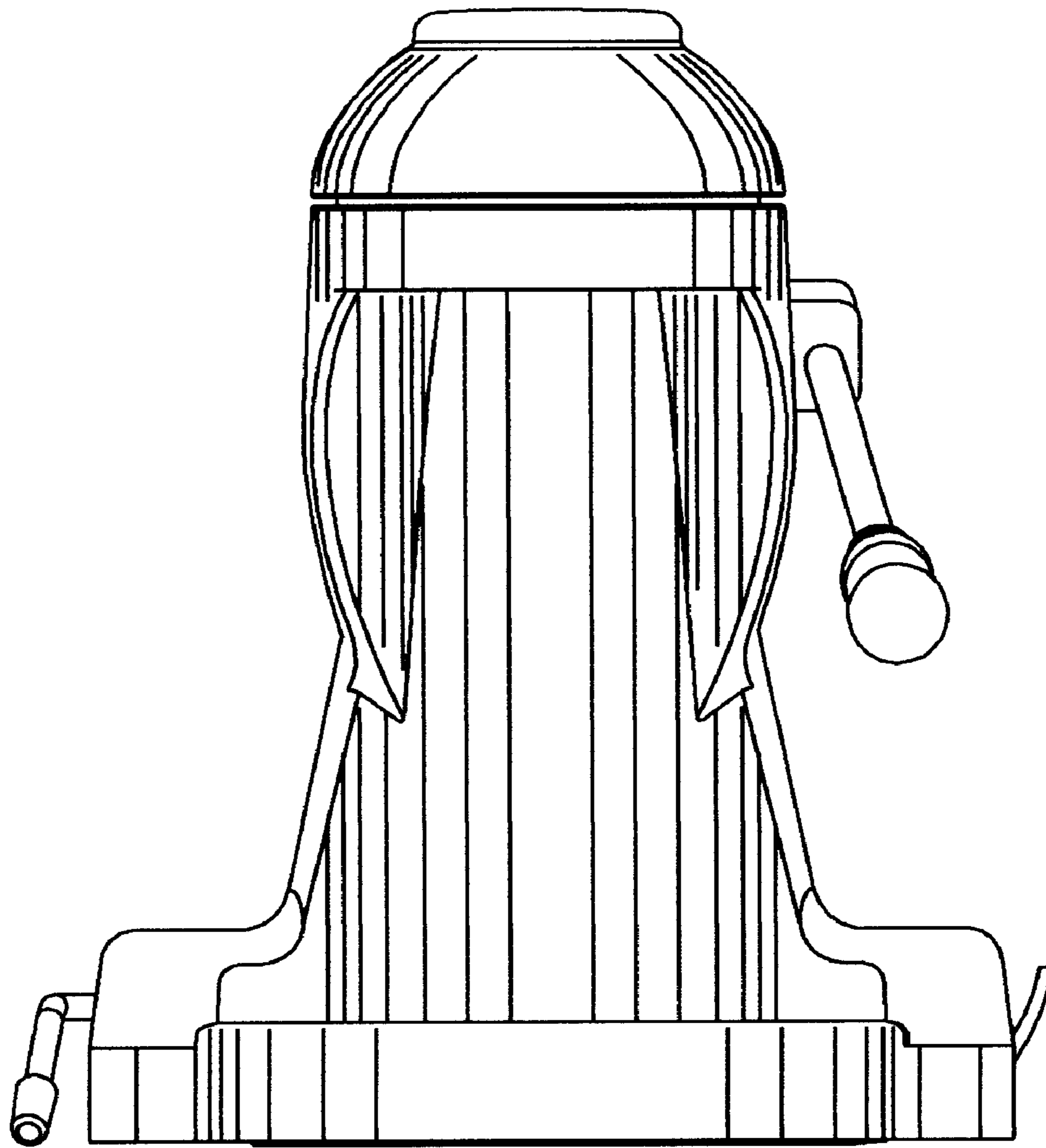


FIG. 1

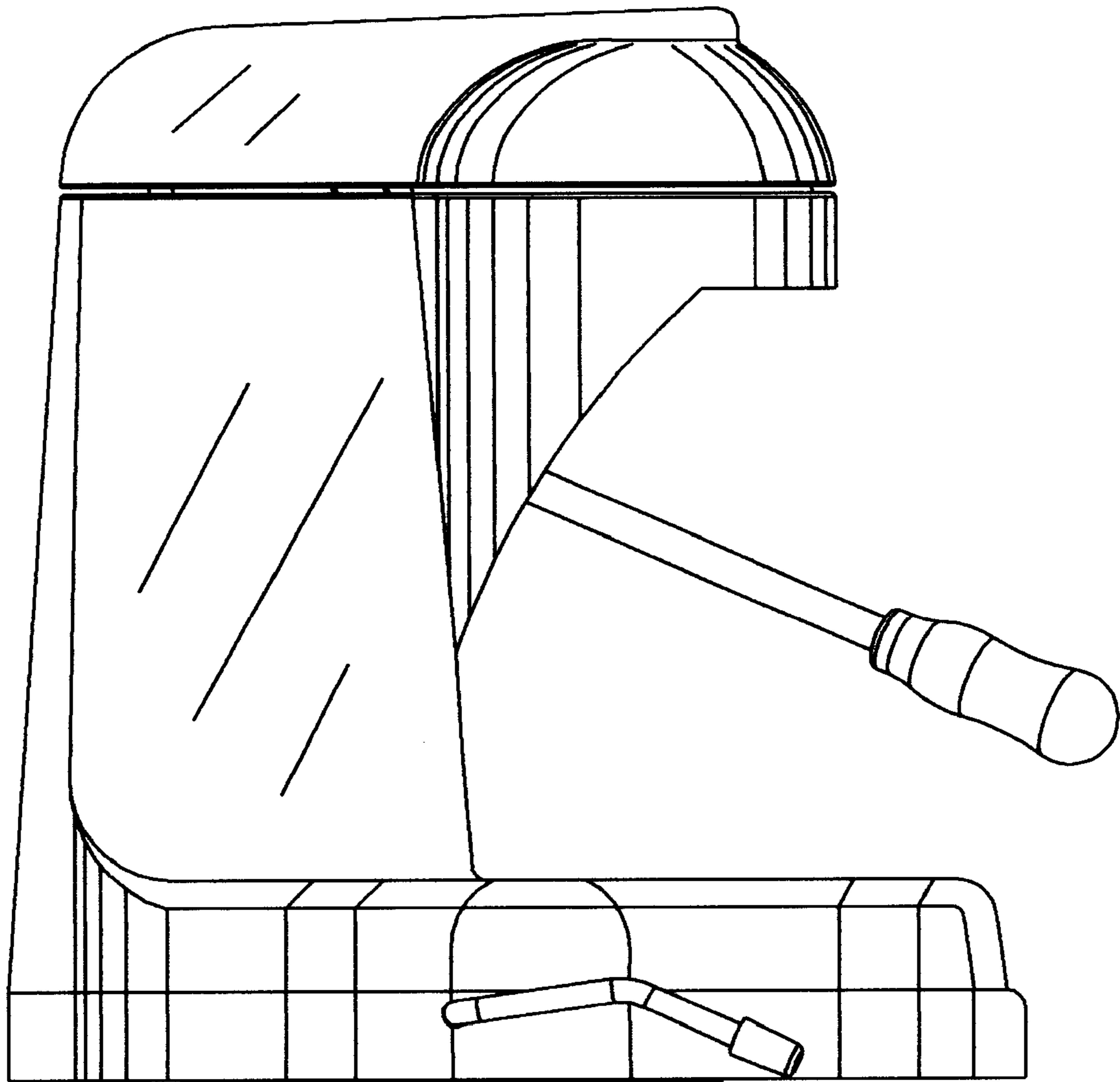


FIG. 2

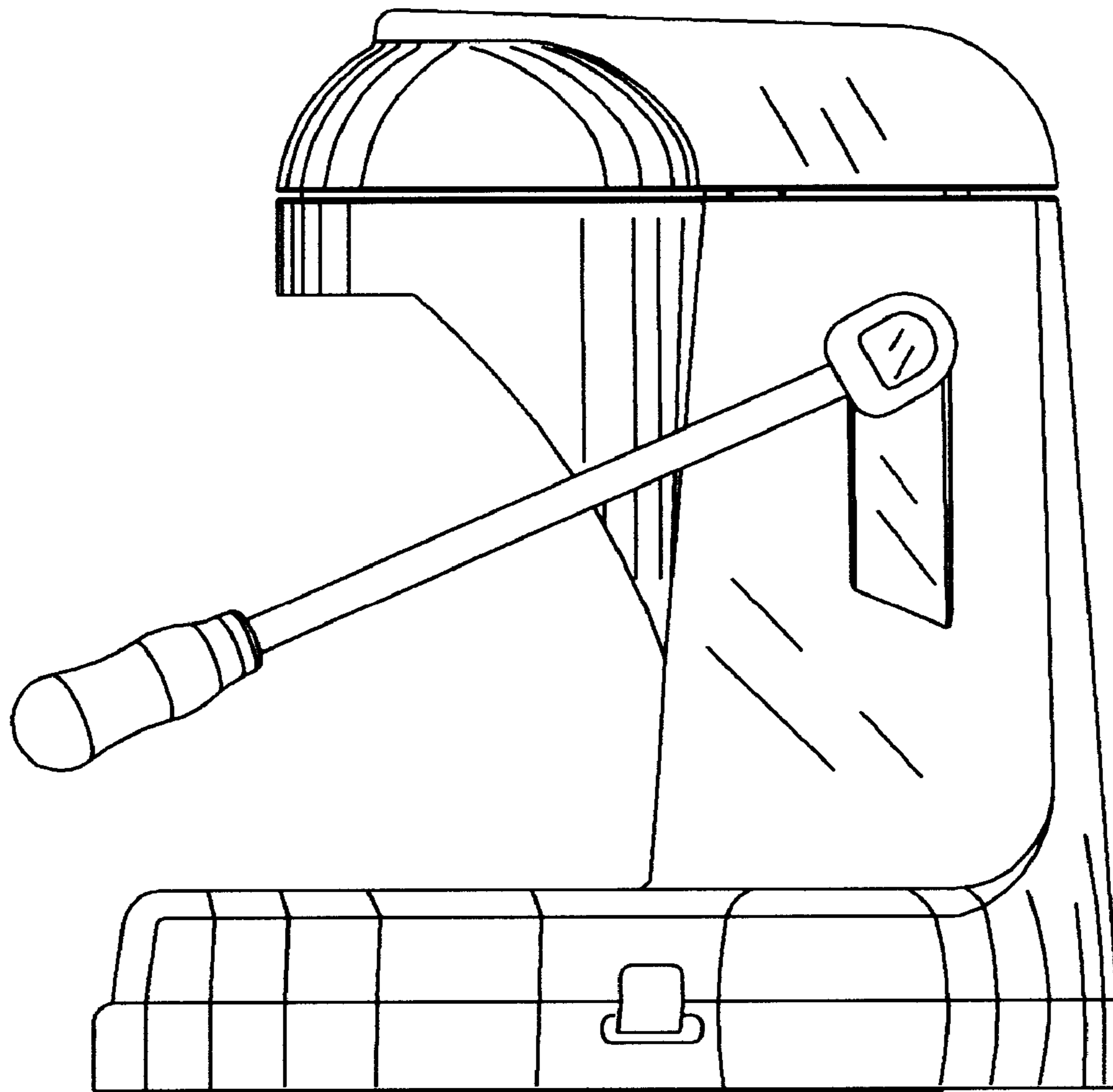


FIG. 3

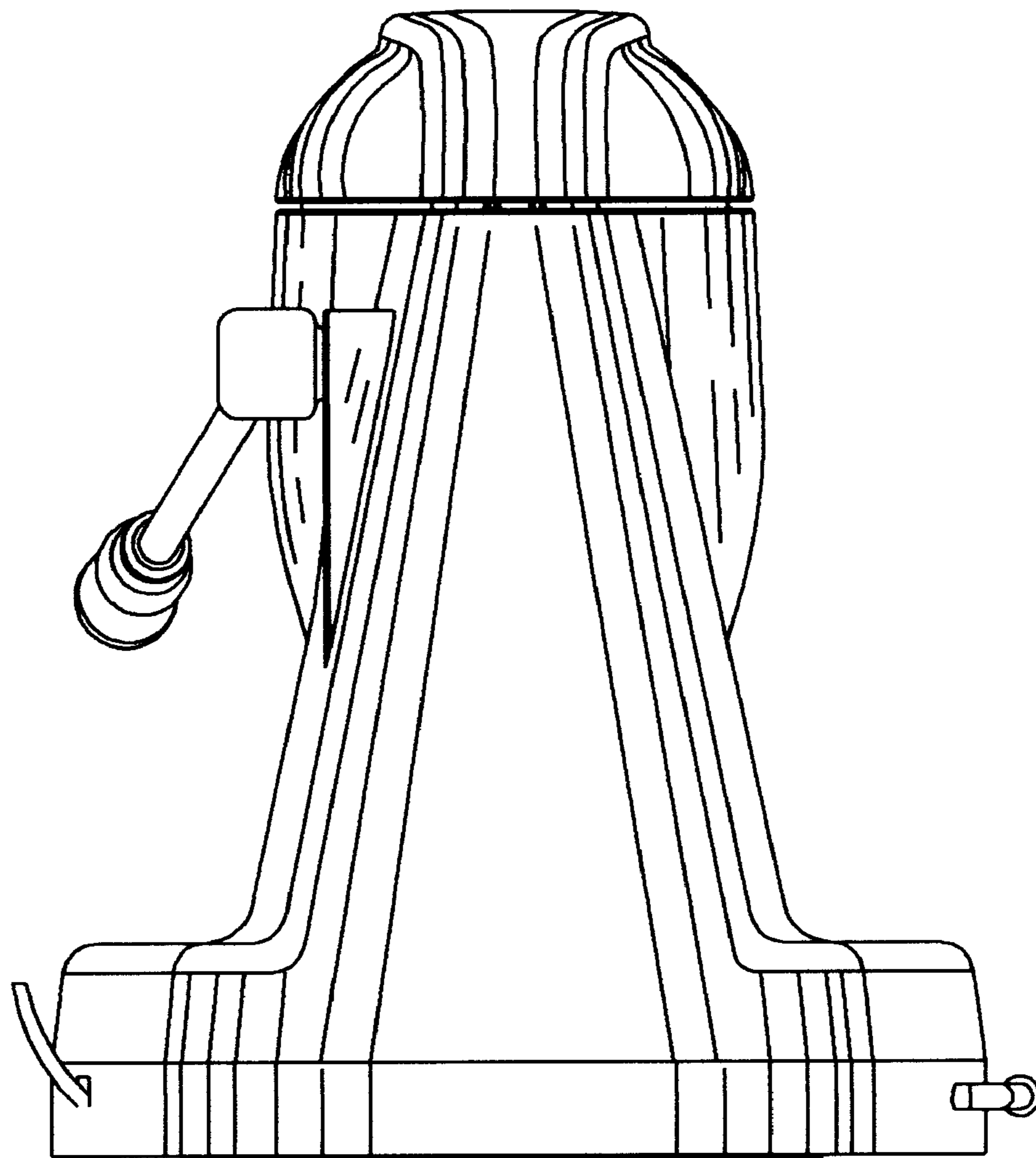


FIG. 4

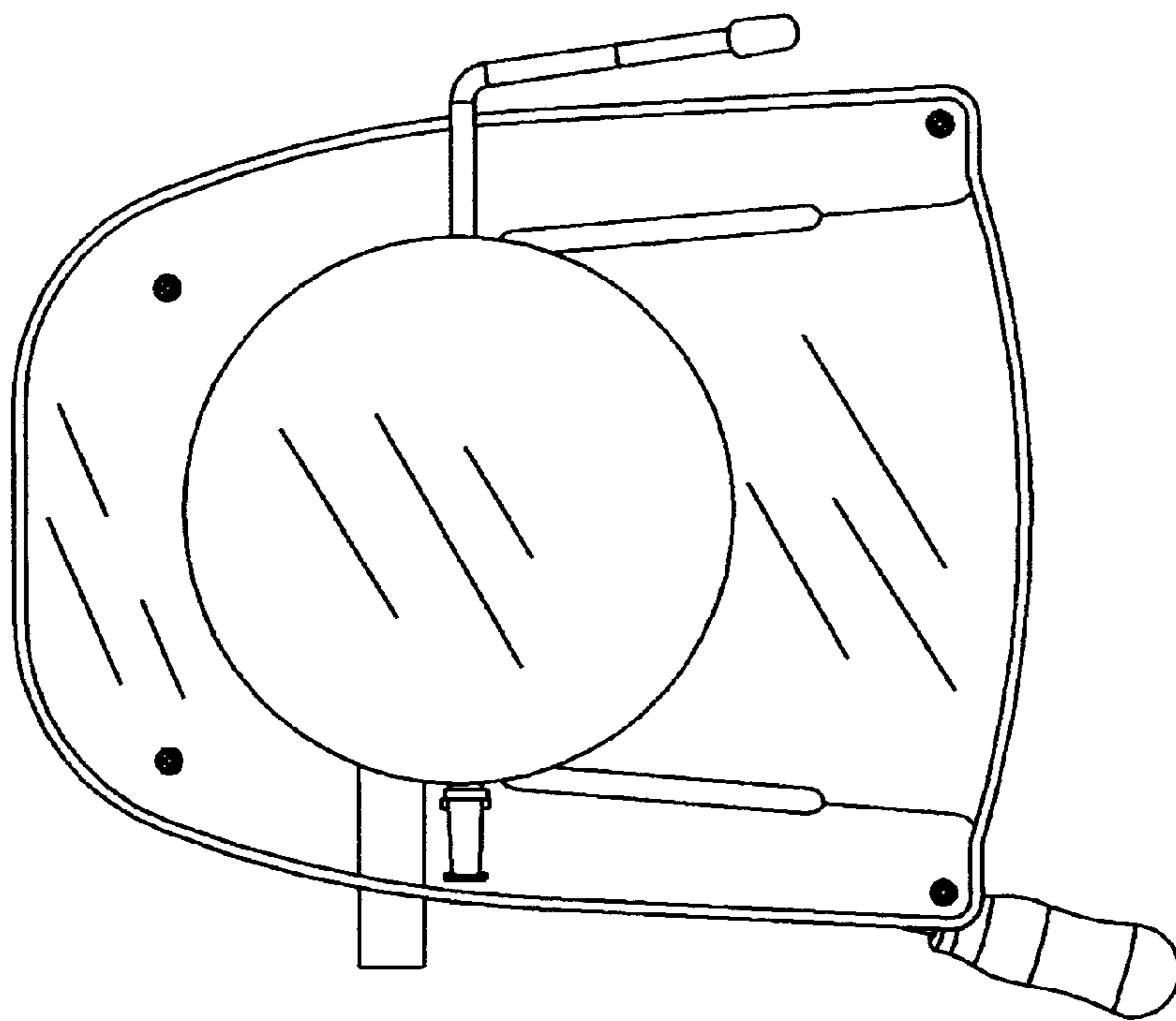


FIG. 5

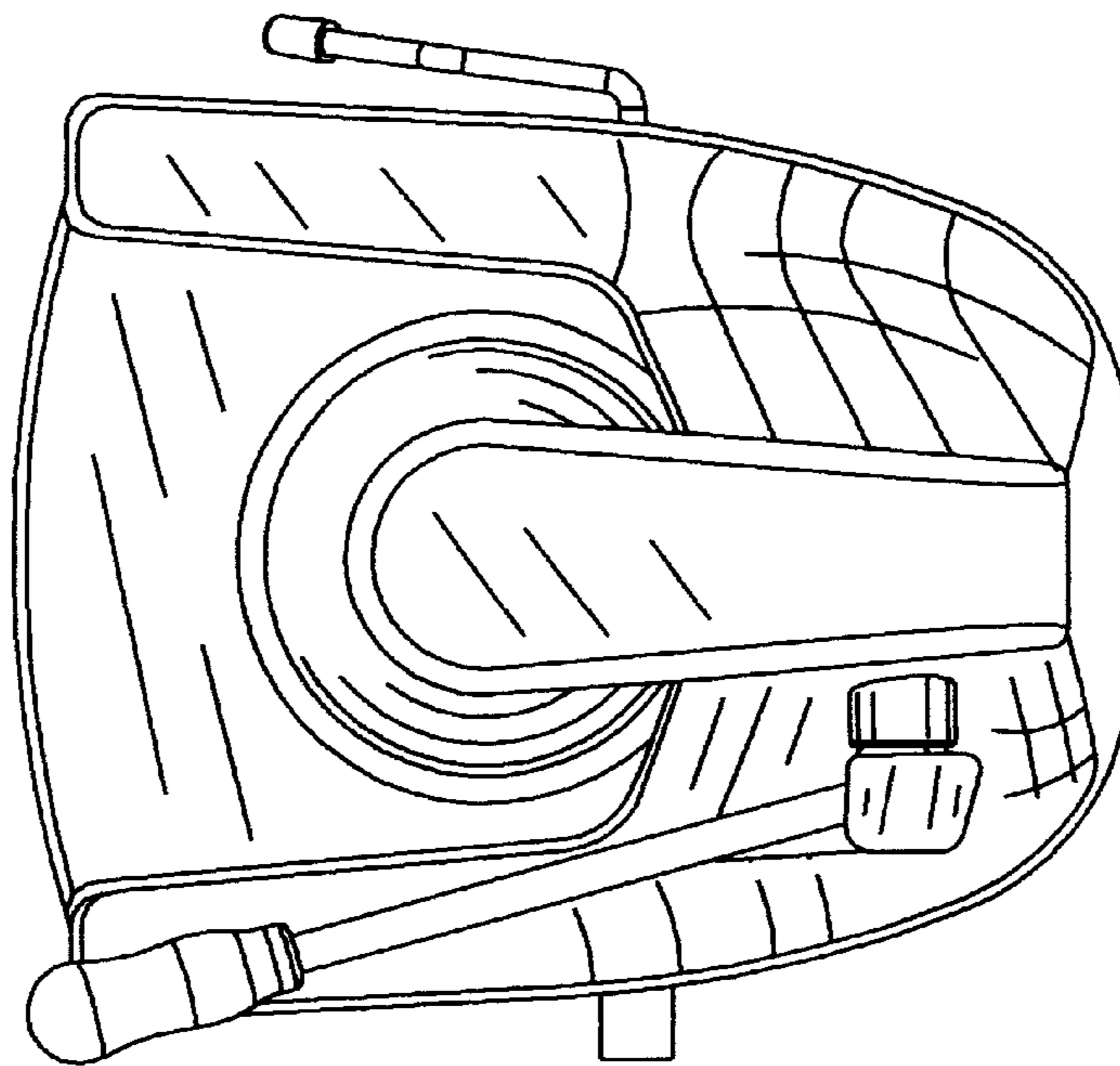


FIG. 6

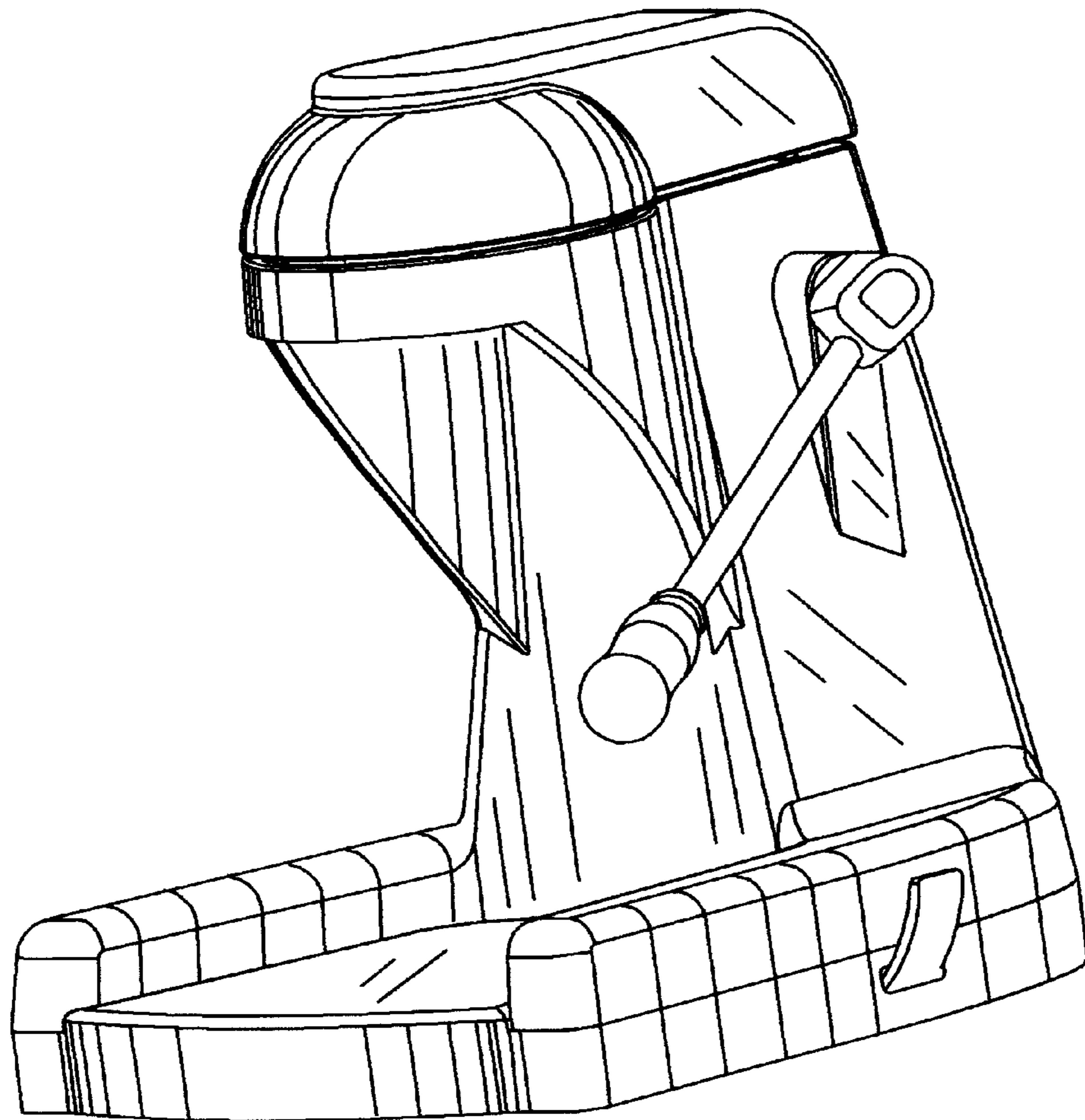


FIG. 7

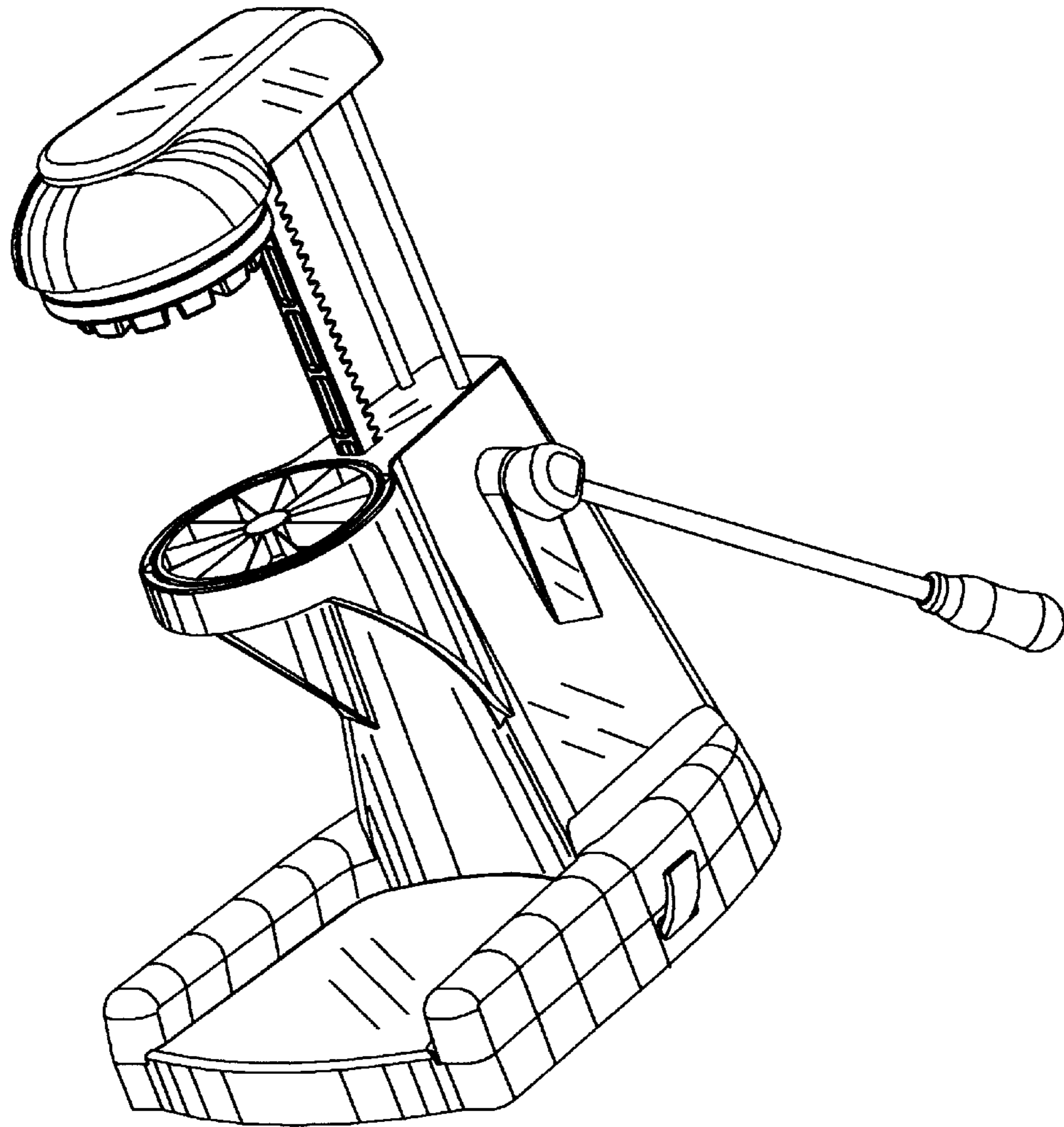


FIG. 8