

US00D508383S

(12) **United States Design Patent** (10) **Patent No.:** **US D508,383 S**  
**Endres et al.** (45) **Date of Patent:** **\*\* Aug. 16, 2005**

(54) **UTENSIL FOR CUTTING FOOD INTO CHILD-SIZE BITES**

6,637,684 B1 \* 10/2003 Ross et al. .... 241/169.1

(75) Inventors: **William S. Endres**, Leawood, KS (US); **Mark T. Krasne**, Kansas City, KS (US); **Wesley A. Endres**, Overland Park, KS (US); **Duane K. Smith**, Shawnee, KS (US); **W. Eric Endres**, Olathe, KS (US)

**OTHER PUBLICATIONS**

Web site pages [http://www.pamperedchef.com/our\\_products/use\\_care/detail.jsp?productId=13](http://www.pamperedchef.com/our_products/use_care/detail.jsp?productId=13) (2 pgs).  
 Web site pages [http://www.pamperedchef.com/our\\_products/use\\_care/detail.jsp?productId=31](http://www.pamperedchef.com/our_products/use_care/detail.jsp?productId=31) (2 pgs).  
 Web site page [http://www.shopkitchenaid.com/product\\_list.asp?HDR=culgadget&PGN=3&SKW=culgad](http://www.shopkitchenaid.com/product_list.asp?HDR=culgadget&PGN=3&SKW=culgad) (1 pg).  
 Web site page [http://www.pamperedchef.com/our\\_products/use\\_care/detail.jsp?productId=240](http://www.pamperedchef.com/our_products/use_care/detail.jsp?productId=240) (3 pgs).

(73) Assignee: **Select Brands, Inc.**, Lenexa, KS (US)

(\*\*) Term: **14 Years**

\* cited by examiner

(21) Appl. No.: **29/203,455**

*Primary Examiner*—Terry A. Wallace  
(74) *Attorney, Agent, or Firm*—Hovey Williams LLP

(22) Filed: **Apr. 14, 2004**

(51) **LOC (8) Cl.** ..... **07-04**

(52) **U.S. Cl.** ..... **D7/673; D7/693**

(58) **Field of Search** ..... D7/672, 673, 693;  
30/117, 299, 301–305, 312, 316; 241/168,  
169, 169.1

(57) **CLAIM**

The ornamental design for a utensil for cutting food into child-size bites, as shown and described.

**DESCRIPTION**

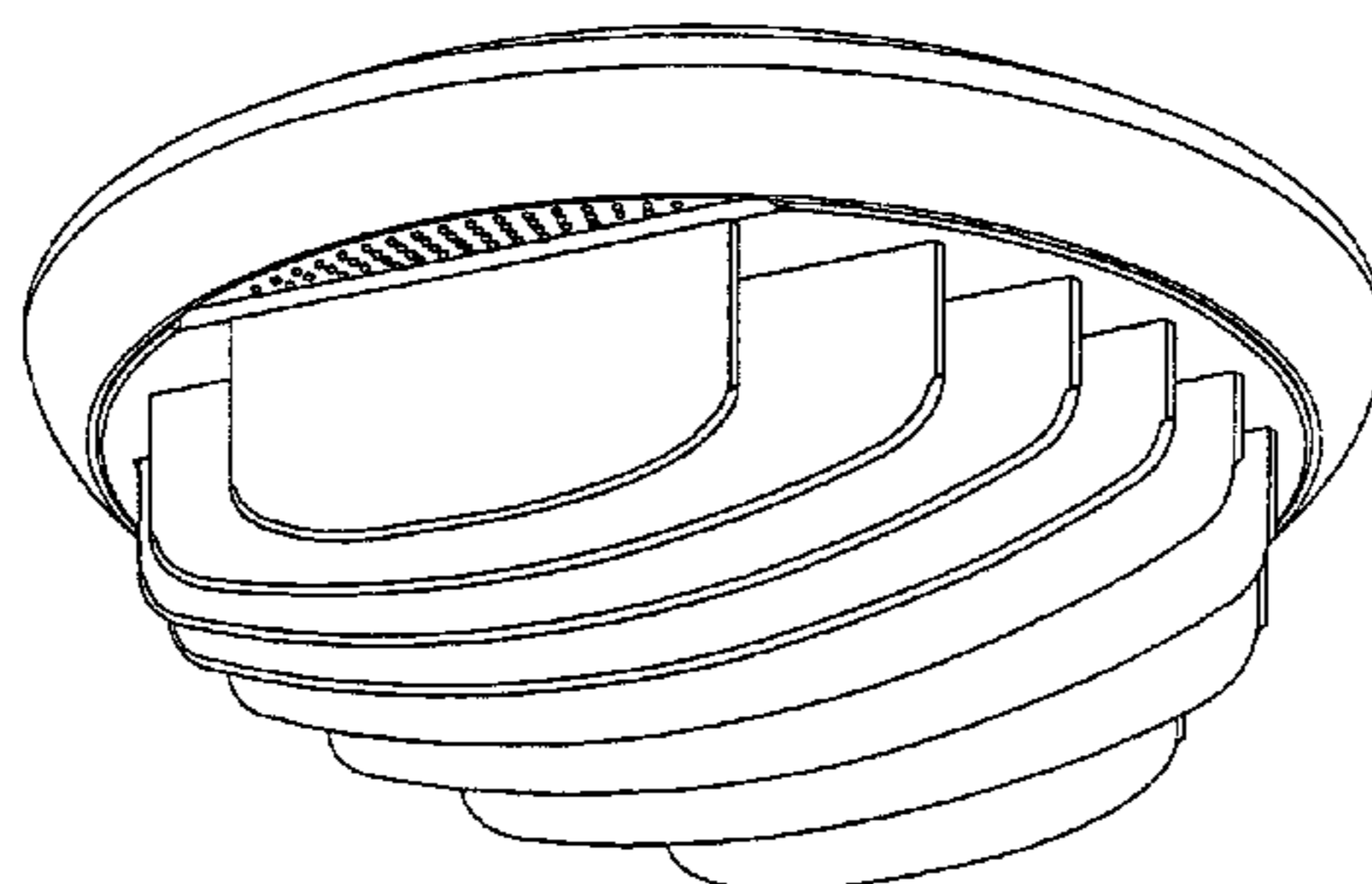
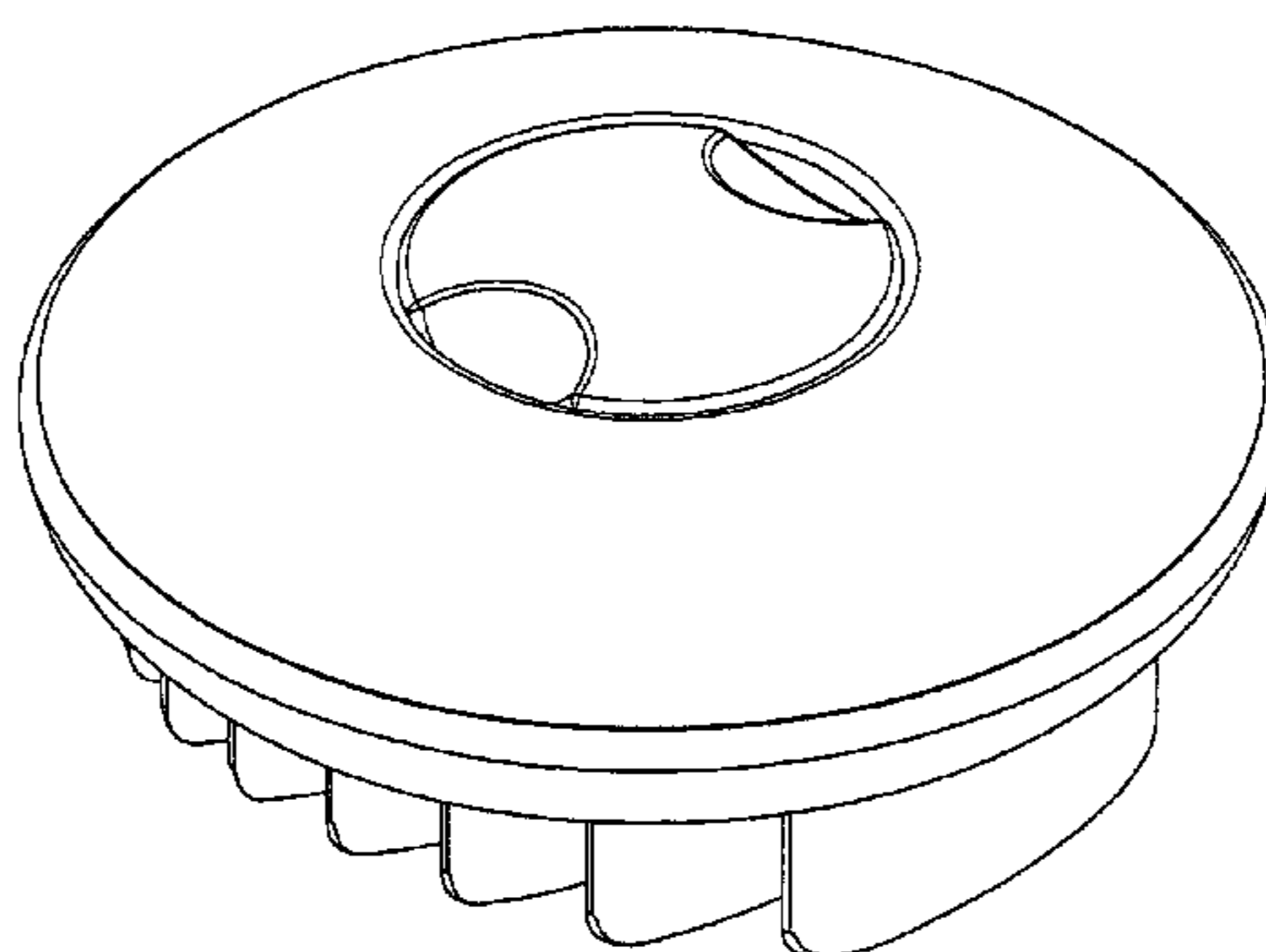
FIG. 1 is a top, front perspective view of a utensil embodying the design of the present invention; FIG. 2 is a bottom perspective view thereof; FIG. 3 is a side elevational view thereof; FIG. 4 is a front elevational view thereof; FIG. 5 is a top plan view thereof; and, FIG. 6 is a bottom plan view thereof.

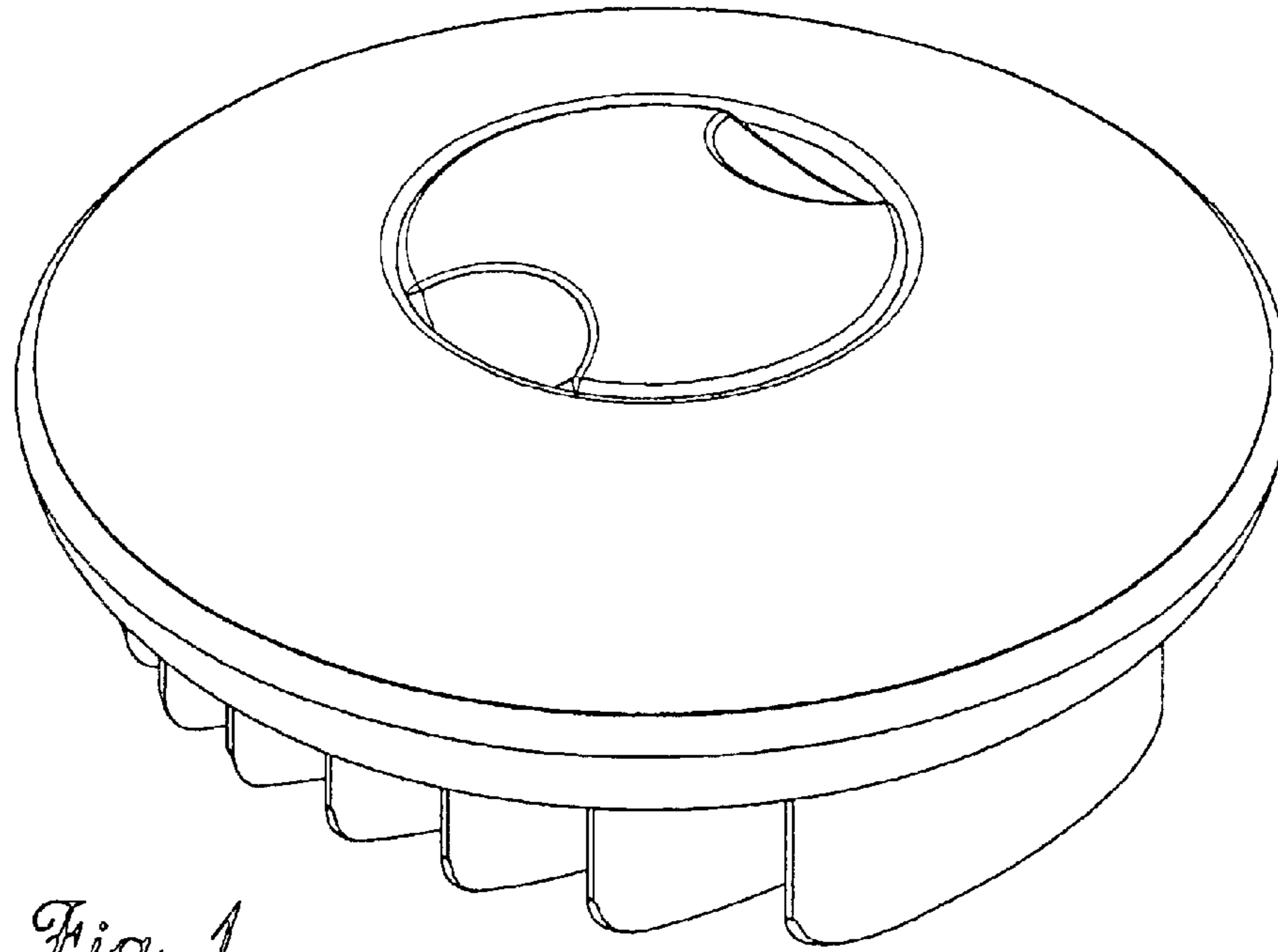
(56) **References Cited**

**U.S. PATENT DOCUMENTS**

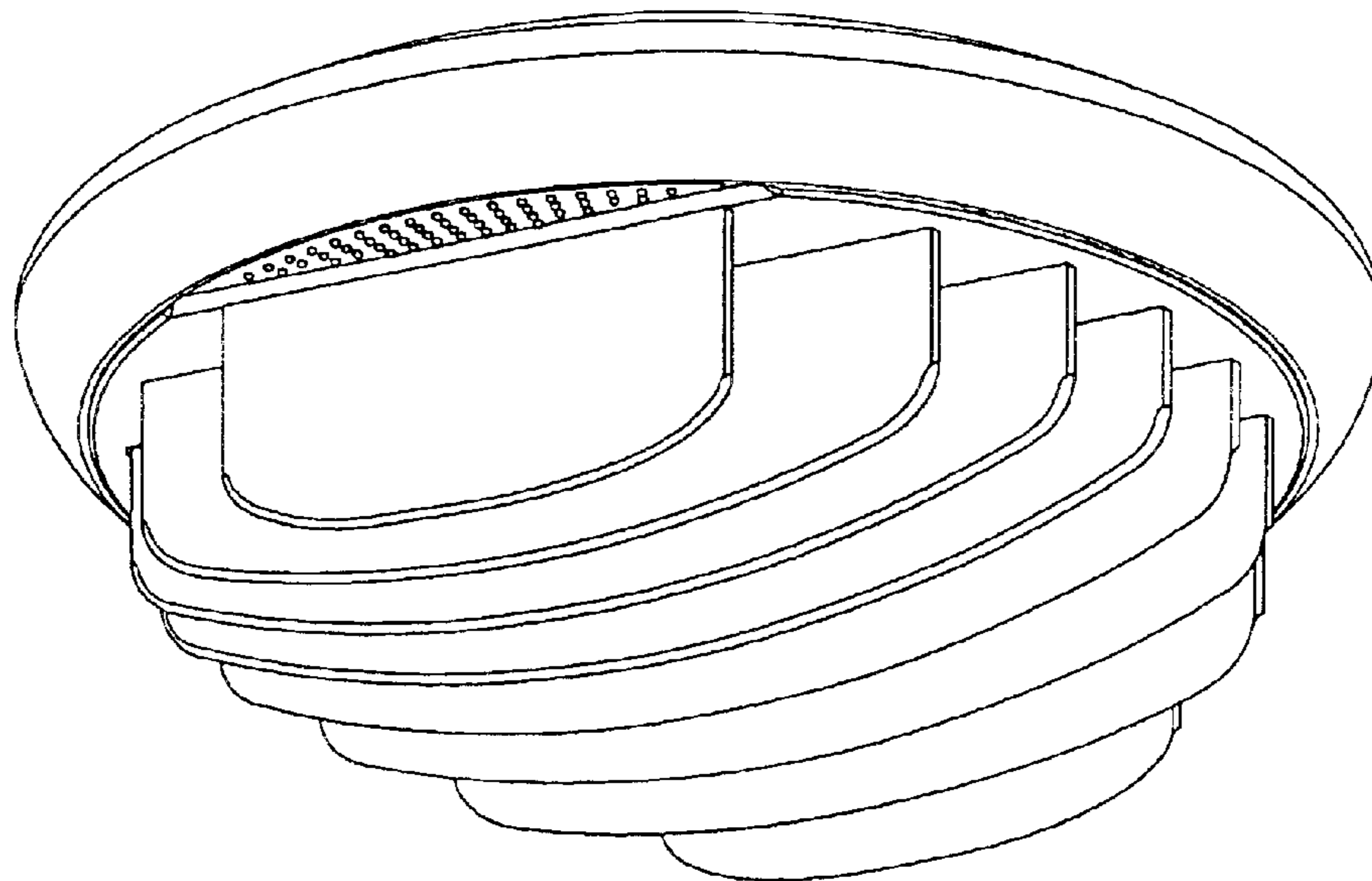
1,744,422 A	*	1/1930	Taylor	.....	30/302
2,198,482 A	*	4/1940	Mannfolk	.....	30/305
D305,594 S	*	1/1990	Saliba	.....	D7/673
D393,400 S	*	4/1998	Chiu	.....	D7/693
D401,813 S	*	12/1998	Johnson et al.	.....	D7/673
6,009,786 A	*	1/2000	Hjelden	.....	30/305

**1 Claim, 3 Drawing Sheets**

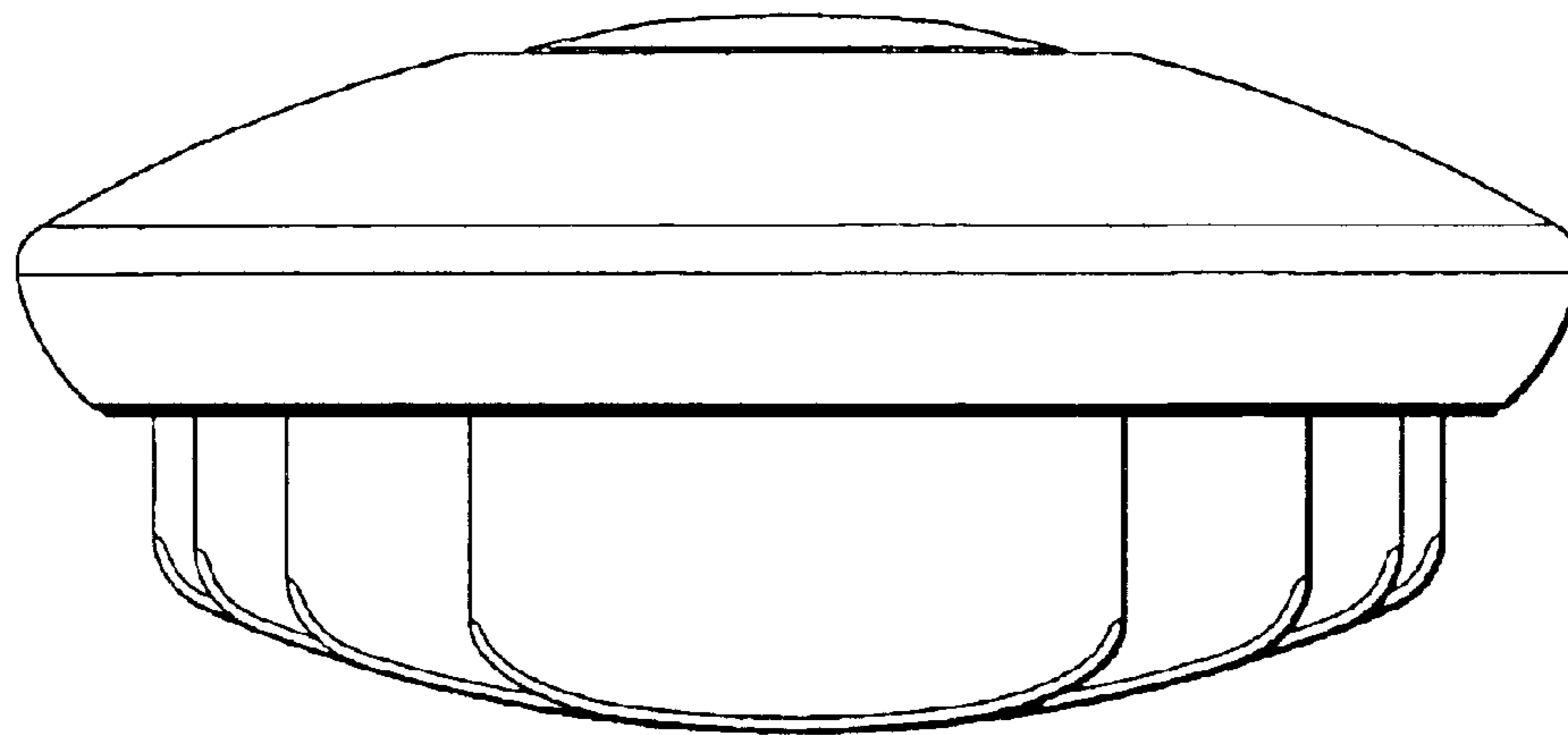




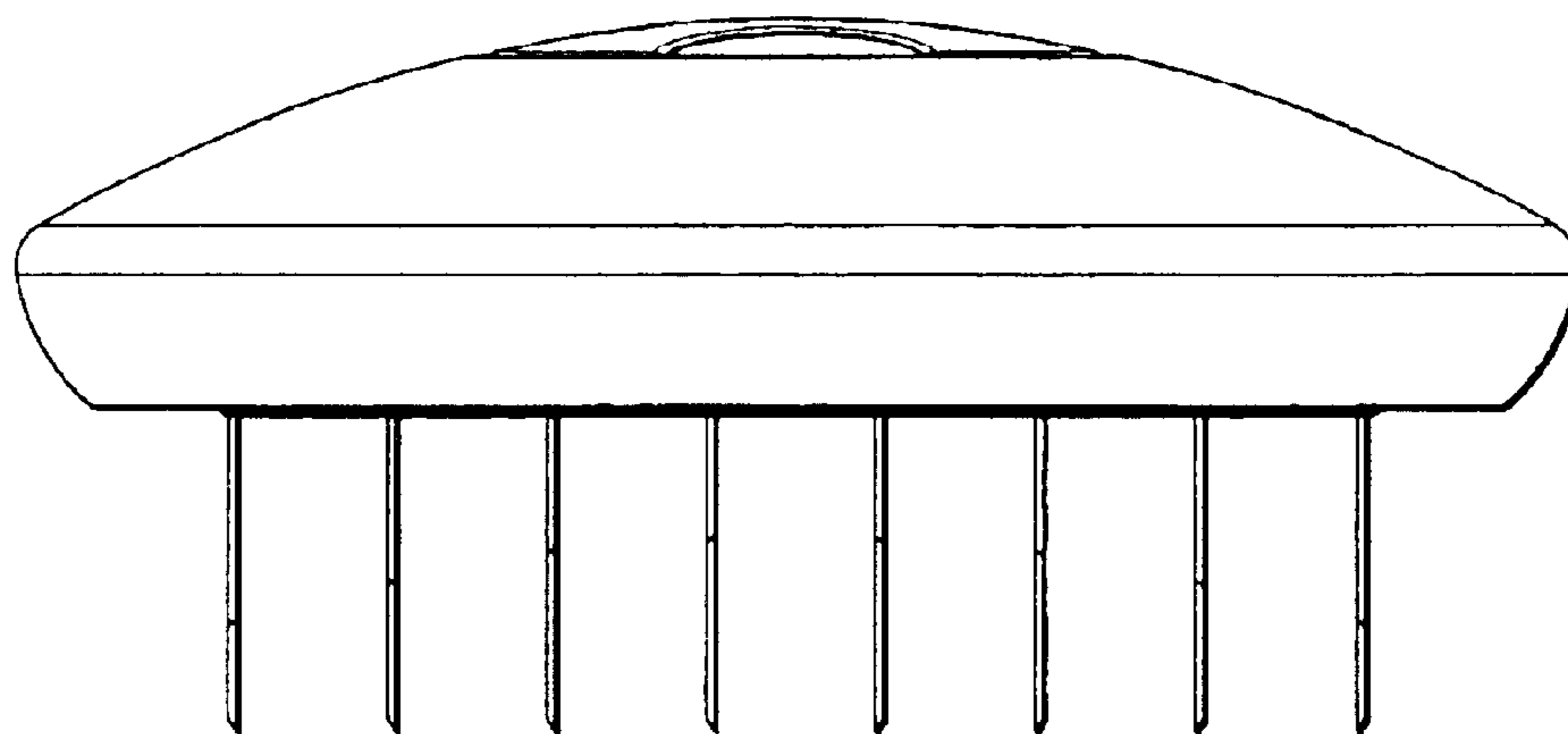
*Fig. 1.*



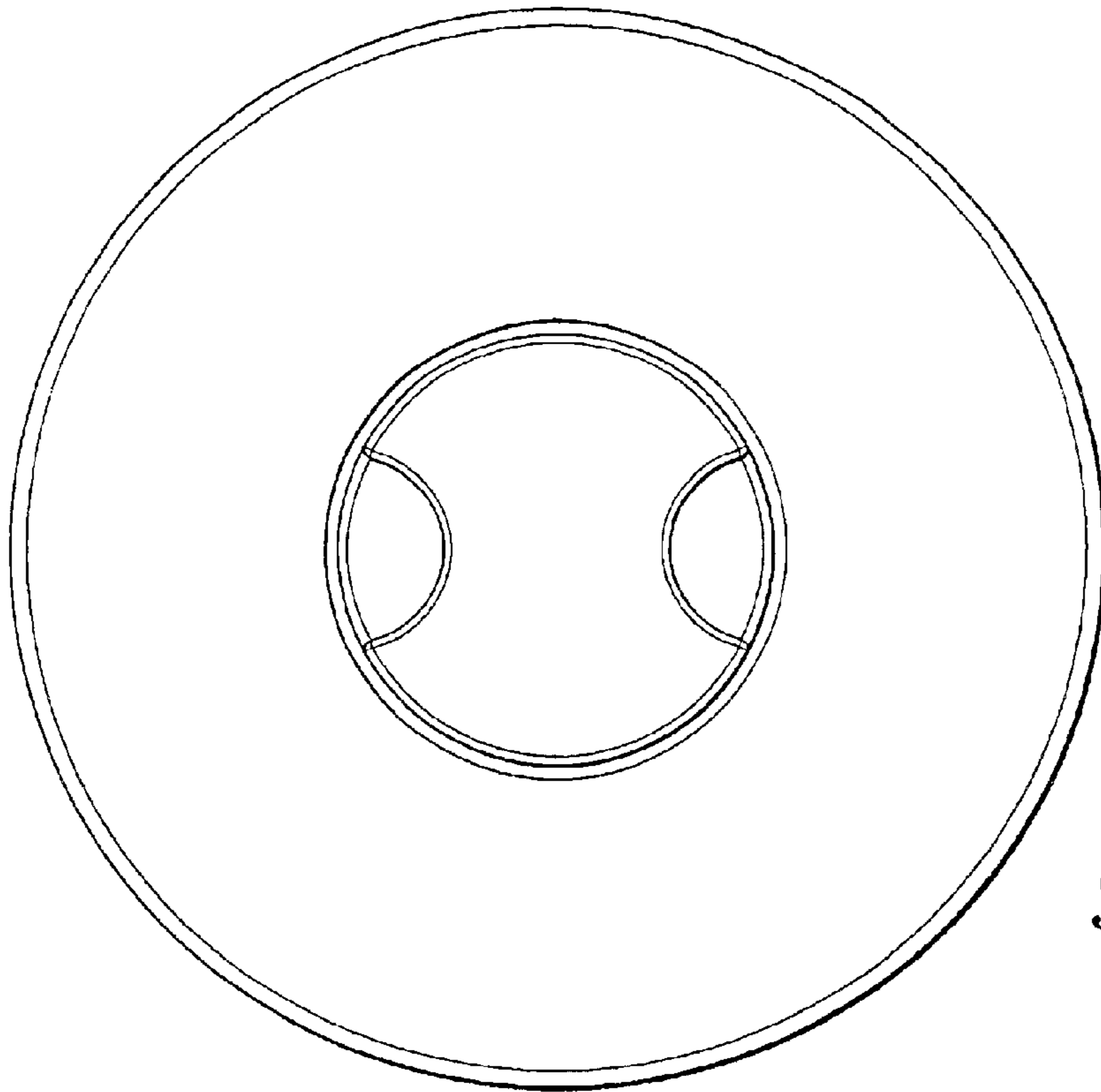
*Fig. 2.*



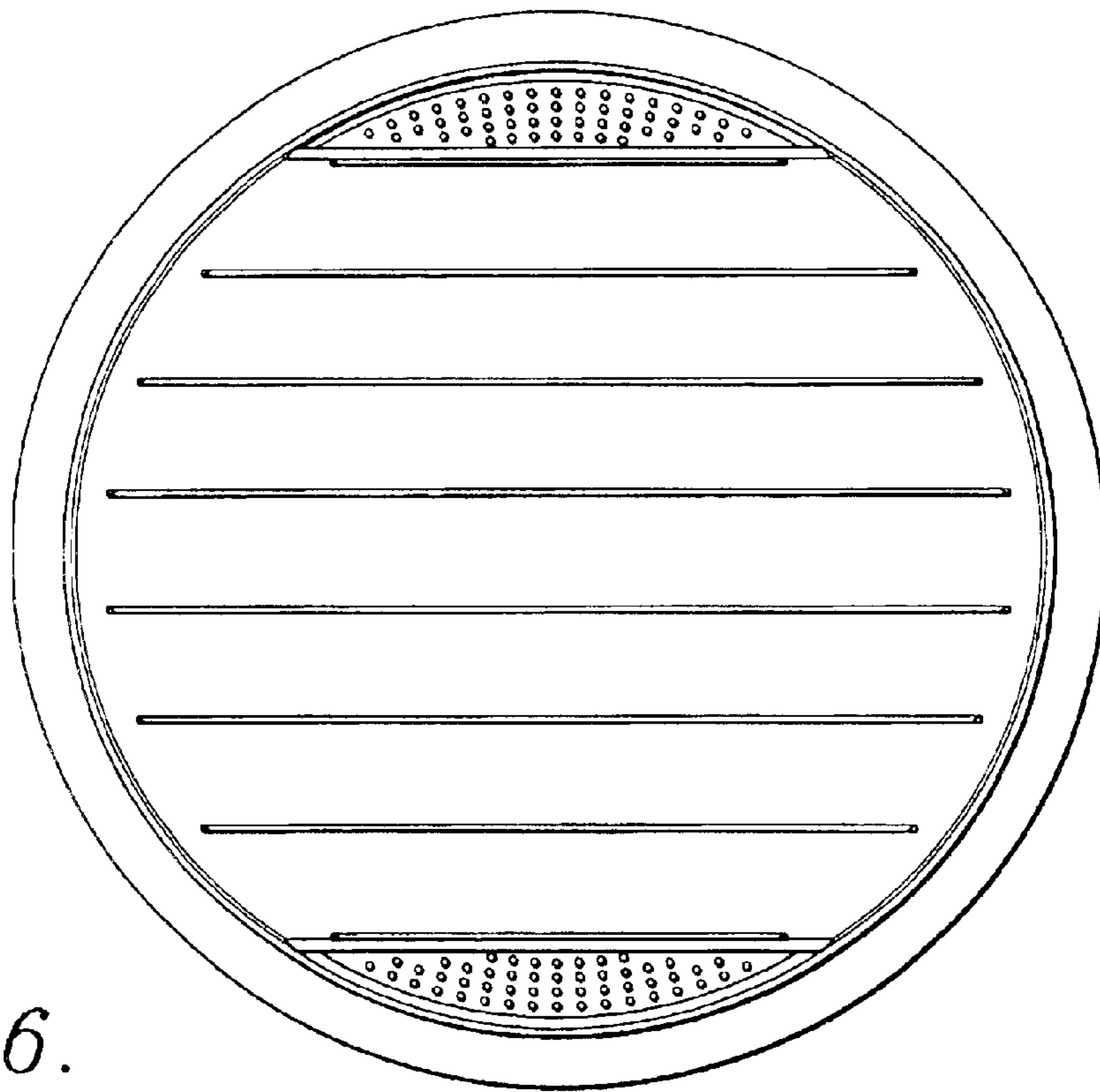
*Fig. 3.*



*Fig. 4.*



*Fig. 5.*



*Fig. 6.*