

US00D508378S

(12) **United States Design Patent**
Bertulis

(10) **Patent No.:** **US D508,378 S**

(45) **Date of Patent:** **** Aug. 16, 2005**

(54) **FOOD CARRIER**

(75) Inventor: **Eugenia Bertulis**, Seattle, WA (US)

(73) Assignee: **Progressive International Corp.**, Kent, WA (US)

(**) Term: **14 Years**

(21) Appl. No.: **29/205,504**

(22) Filed: **May 14, 2004**

(51) **LOC (8) Cl.** **07-01**

(52) **U.S. Cl.** **D7/629; D9/428**

(58) **Field of Search** D7/601, 602, 612-615,
D7/629, 538-542; D9/414-432; 219/729,
734, 736; 220/360, 366, 780-806, 912,
913, 574; 229/406, 407, 902-906

(56) **References Cited**

U.S. PATENT DOCUMENTS

4,705,172 A	*	11/1987	Gage	220/781
D373,954 S	*	9/1996	Wolff	D9/429
D450,580 S	*	11/2001	Littlejohn et al.	D9/429
D479,441 S	*	9/2003	Whitworth et al.	D7/629
D489,254 S	*	5/2004	Kocis et al.	D9/425

* cited by examiner

Primary Examiner—Terry A. Wallace

(74) *Attorney, Agent, or Firm*—Black Lowe & Graham PLLC

(57) **CLAIM**

The ornamental design for a food carrier, as shown and described.

DESCRIPTION

FIG. 1 is a perspective view of the food carrier, depicting a base and a lid, with the lid removed;

FIG. 2 is a top view of the lid;

FIG. 3 is a bottom view of the lid;

FIG. 4 is a left side view of the lid, the right side view being identical;

FIG. 5 is a front view of the lid, the back view being identical;

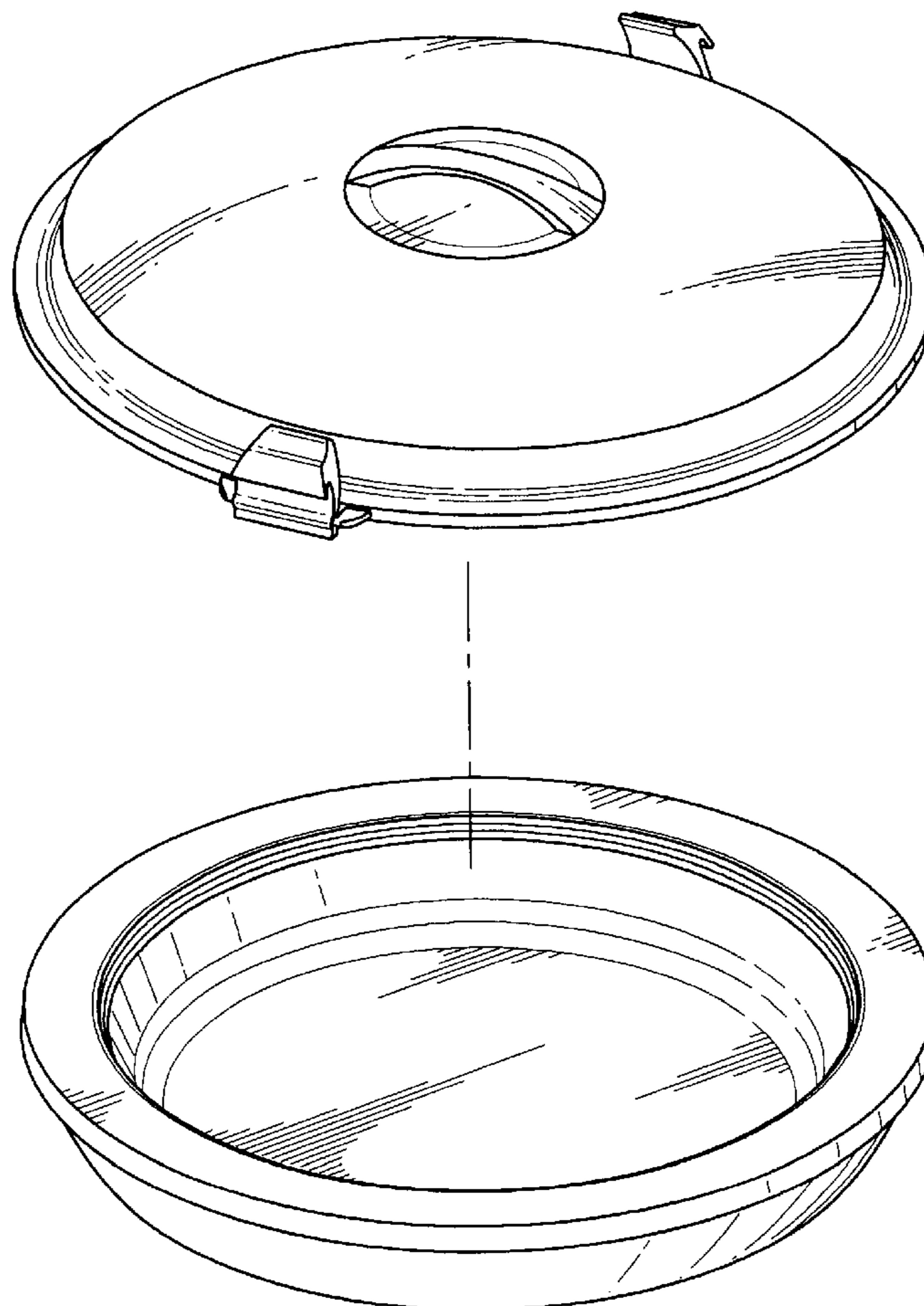
FIG. 6 is a front view of the base, the back, left side, and right side being identical;

FIG. 7 is a top view of the base; and,

FIG. 8 is a bottom view of the base.

The lid and bowl are shown separately in FIGS. 2-8 for clarity of illustration.

1 Claim, 4 Drawing Sheets



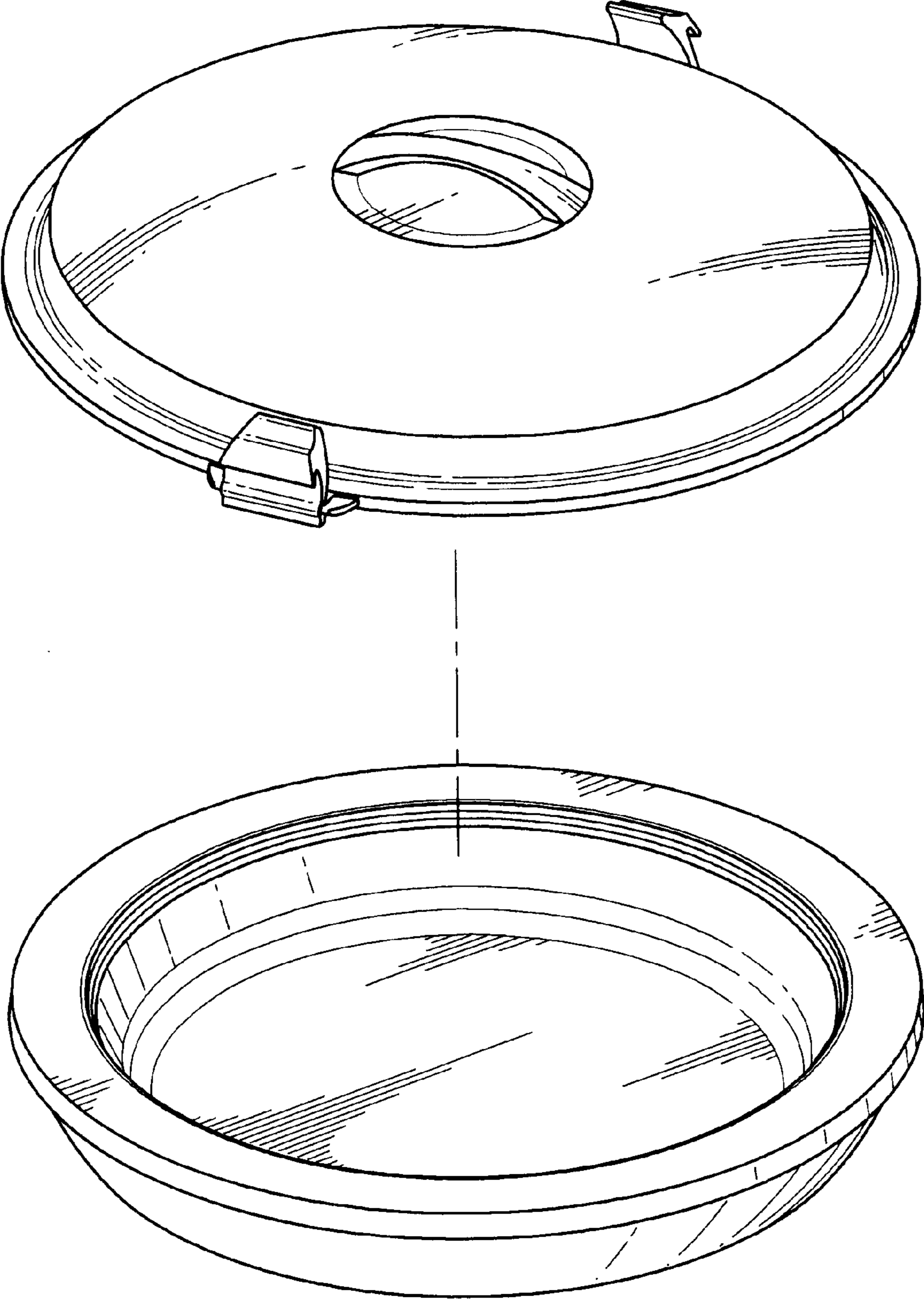


Fig. 1

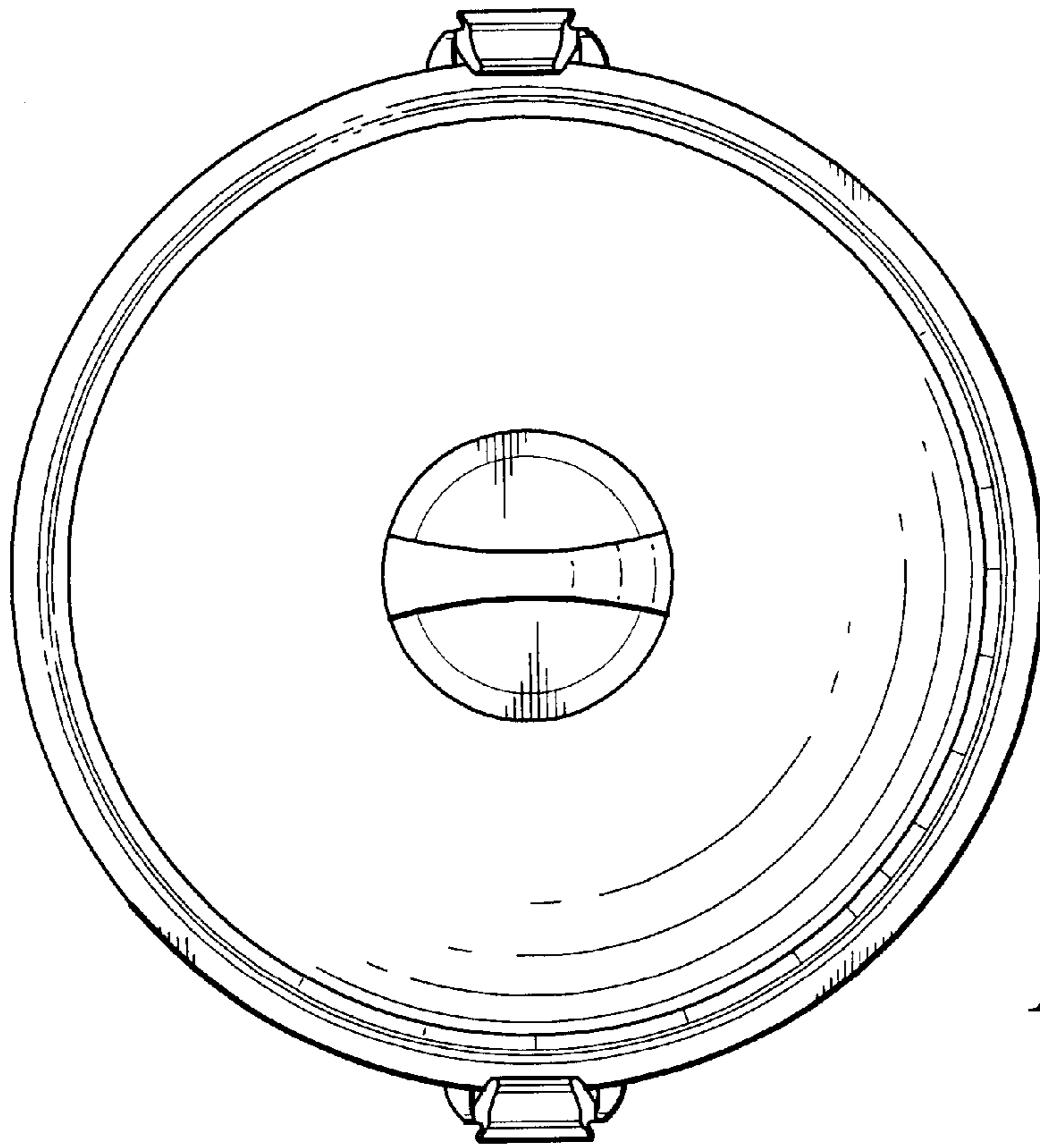


Fig. 2

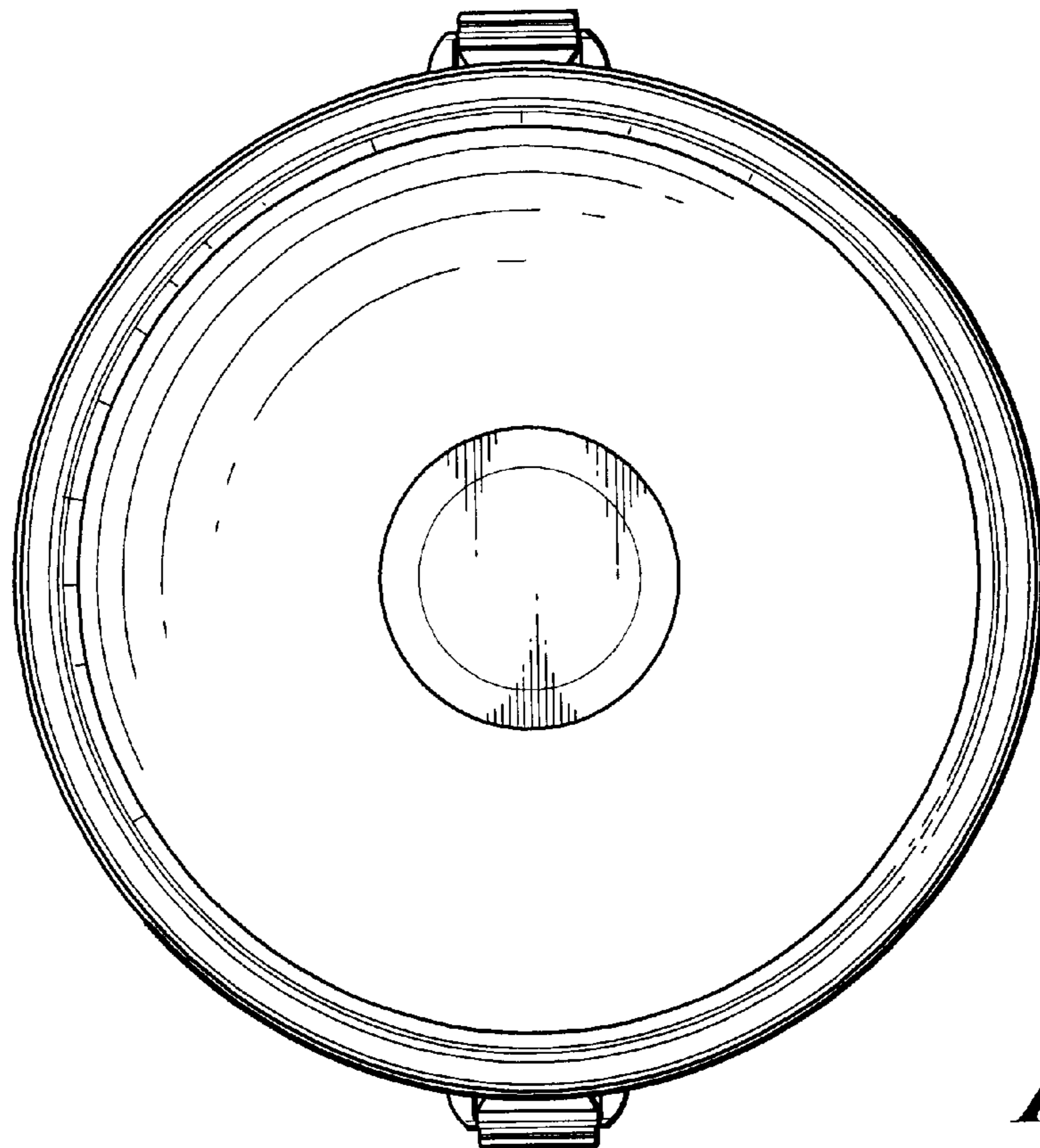


Fig. 3

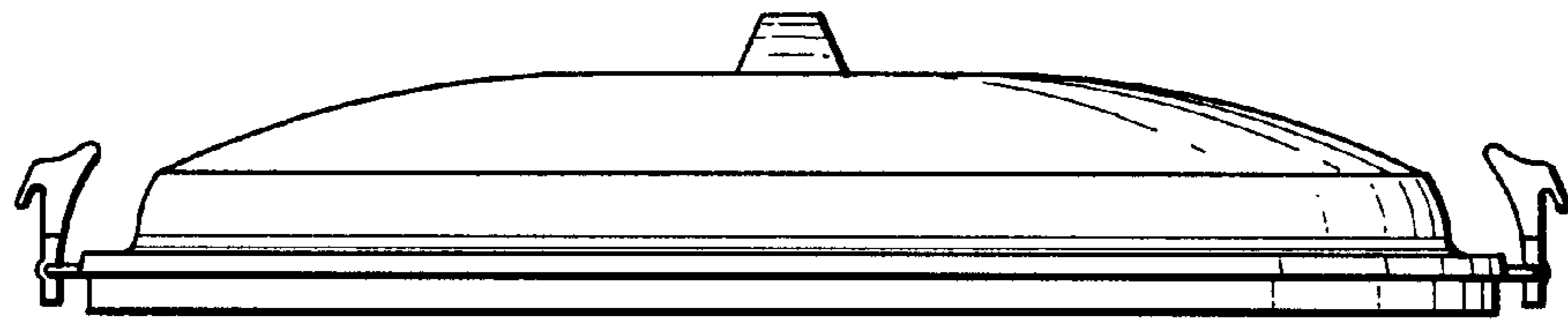


Fig. 4

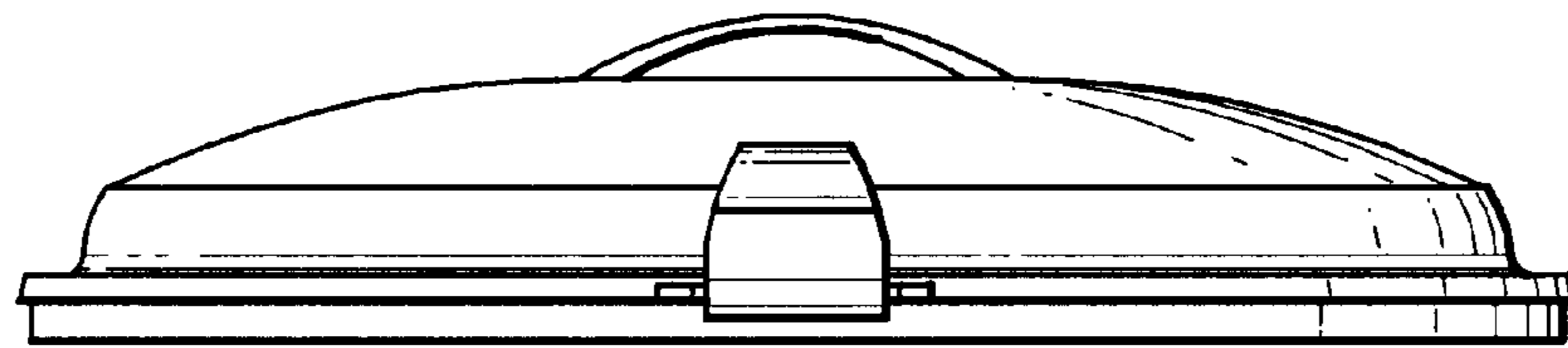


Fig. 5

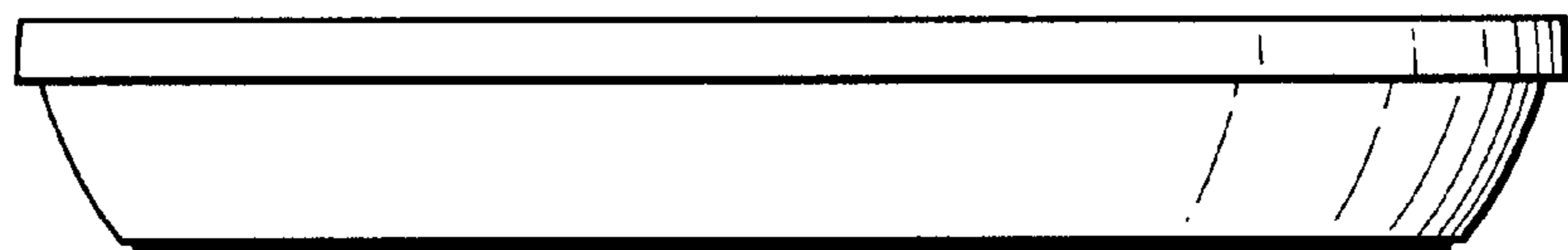


Fig. 6

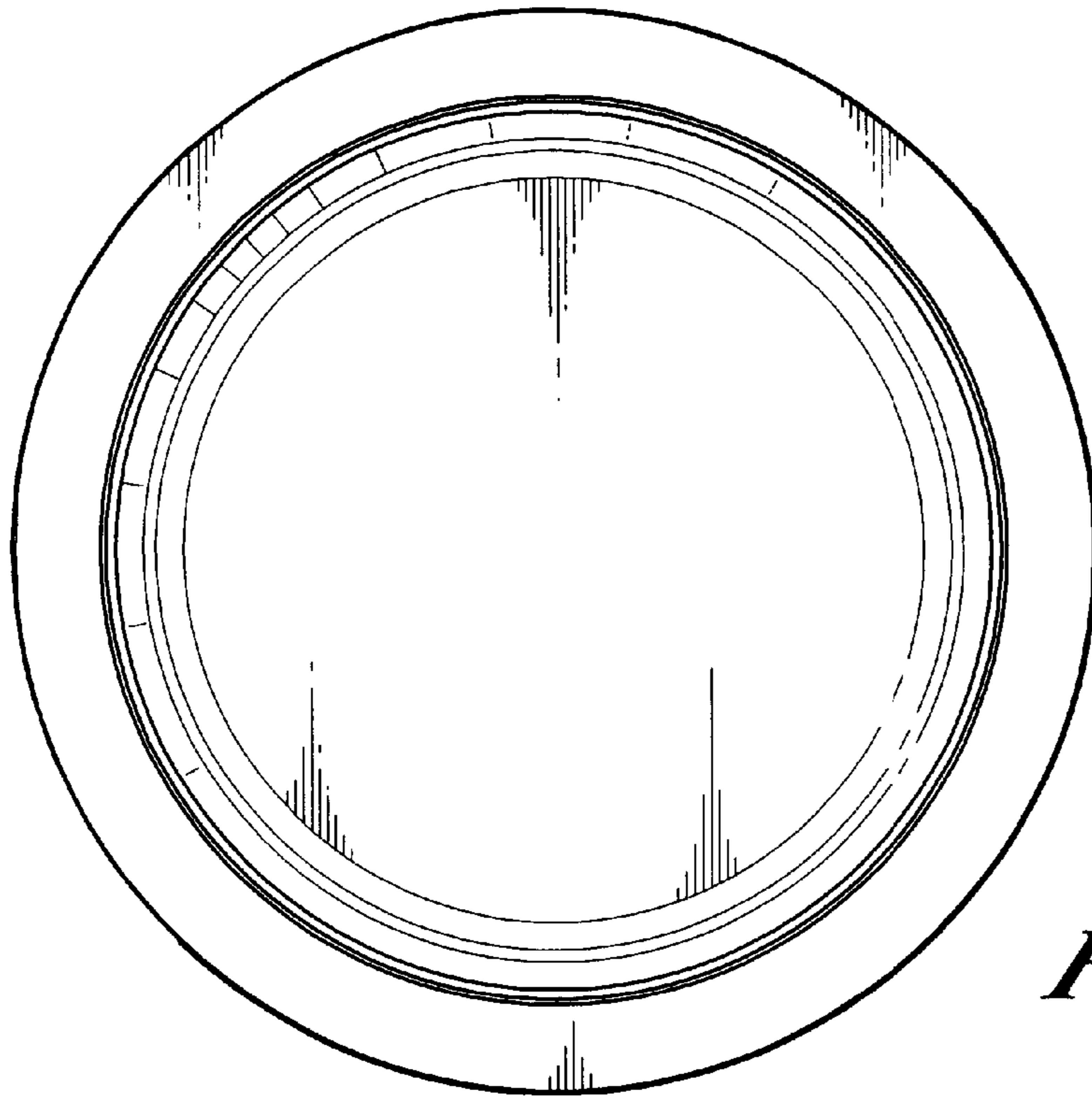


Fig. 7

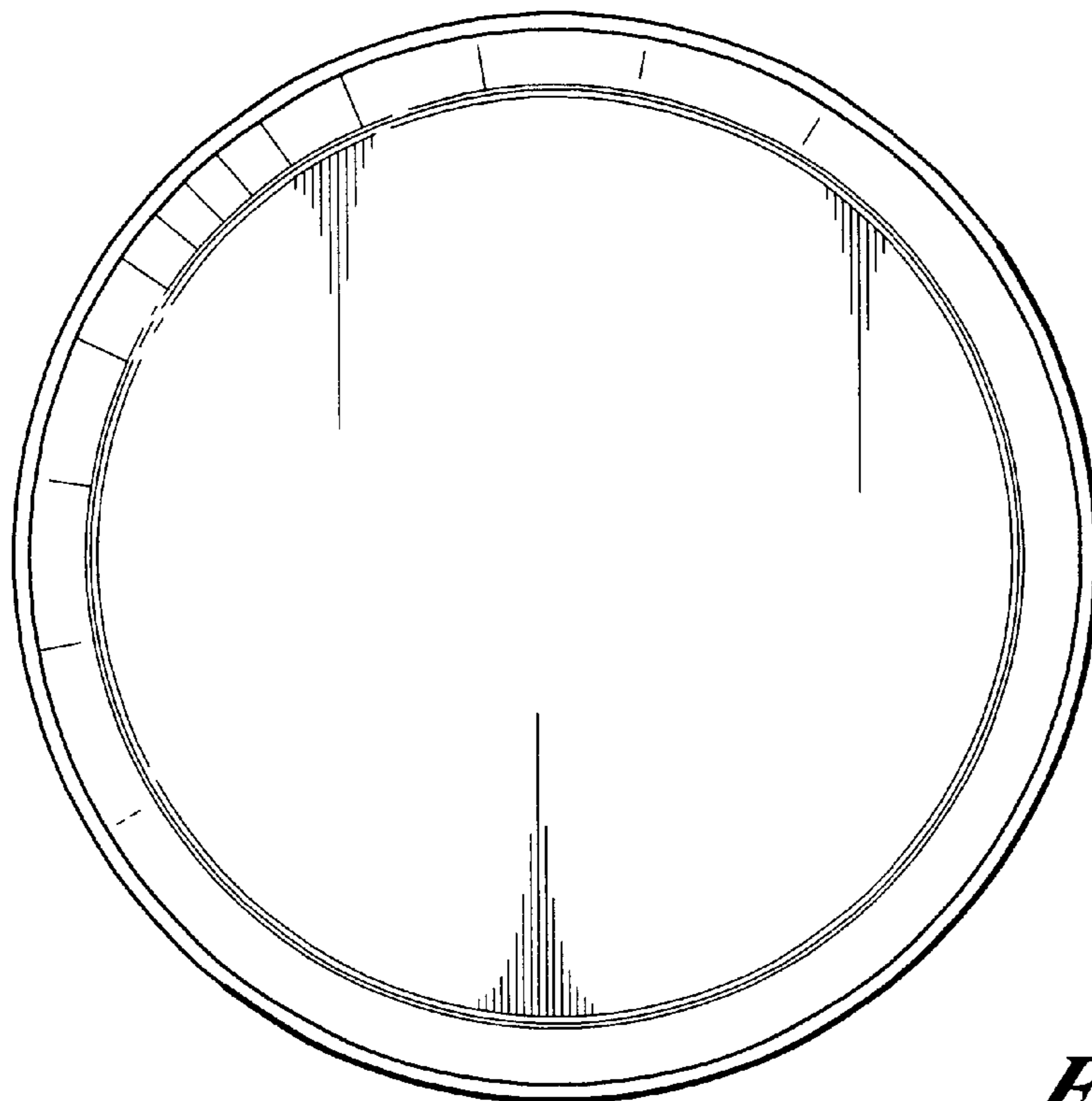


Fig. 8