

US00D508377S

(12) **United States Design Patent**
Miesieski et al.

(10) **Patent No.: US D508,377 S**

(45) **Date of Patent: ** Aug. 16, 2005**

(54) **BEER DISPENSING COOLER**

4,516,409 A * 5/1985 Hobbs et al. 62/457.5
5,247,798 A * 9/1993 Collard, Jr. 62/3.62
D369,708 S * 5/1996 Breen D6/515

(75) Inventors: **Brian Miesieski**, Stamford, CT (US);
Devin Kelly, Norwalk, CT (US); **Geoff
Blanck**, Fairfield, CT (US)

* cited by examiner

(73) Assignee: **Labatt Brewing Company Limited**
(CA)

Primary Examiner—Terry A. Wallace

(74) *Attorney, Agent, or Firm*—Levy & Grandinetti

(**) Term: **14 Years**

(57) **CLAIM**

The ornamental design for a beer dispensing cooler, as shown.

(21) Appl. No.: **29/203,191**

(22) Filed: **Apr. 12, 2004**

DESCRIPTION

(51) **LOC (8) Cl.** **07-01**

FIG. 1 is a front perspective view showing our new design;

(52) **U.S. Cl.** **D7/605**

FIG. 2 is a front view thereof;

(58) **Field of Search** D7/605–608, 601;

FIG. 3 is a rear view thereof;

D6/408, 515, 516; 62/371, 3.62, 457.1–457.9;

FIG. 4 is a left hand side view thereof;

221/282–286, 174, 175, 66

FIG. 5 is a right hand side view thereof;

FIG. 6 is a top view thereof; and,

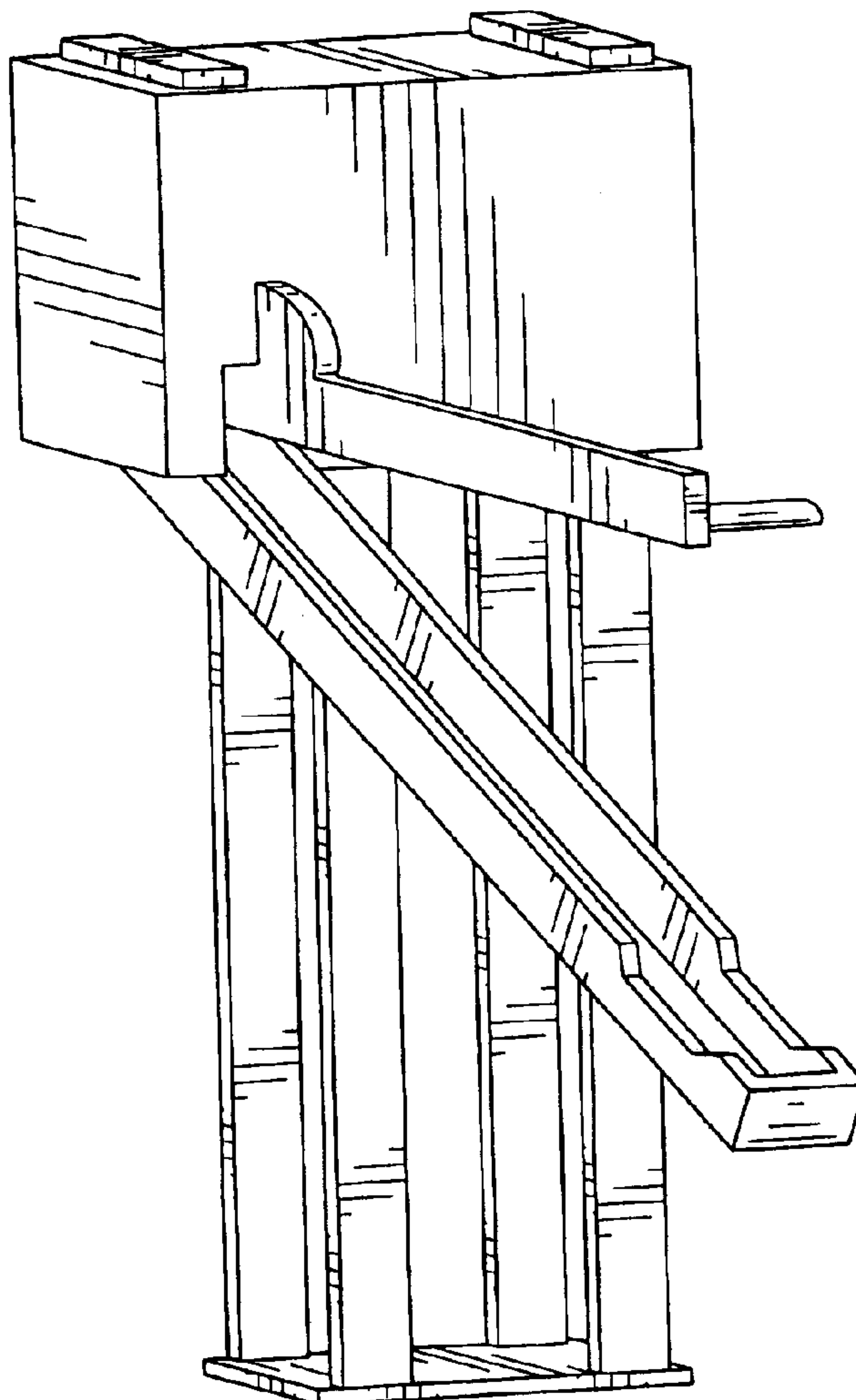
FIG. 7 is a bottom view thereof.

(56) **References Cited**

U.S. PATENT DOCUMENTS

D168,140 S * 11/1952 Cannon D6/408

1 Claim, 5 Drawing Sheets



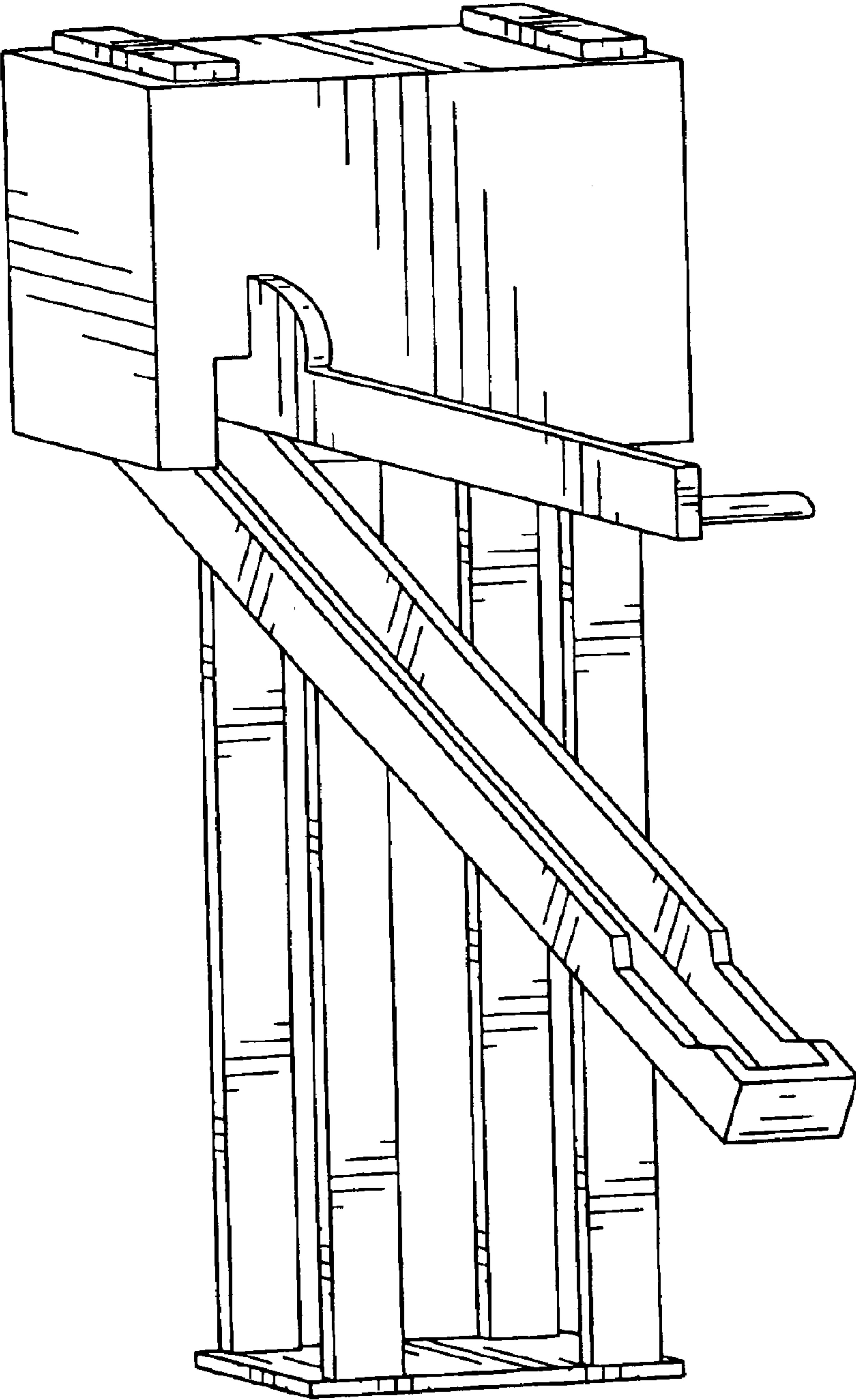


FIG. 1

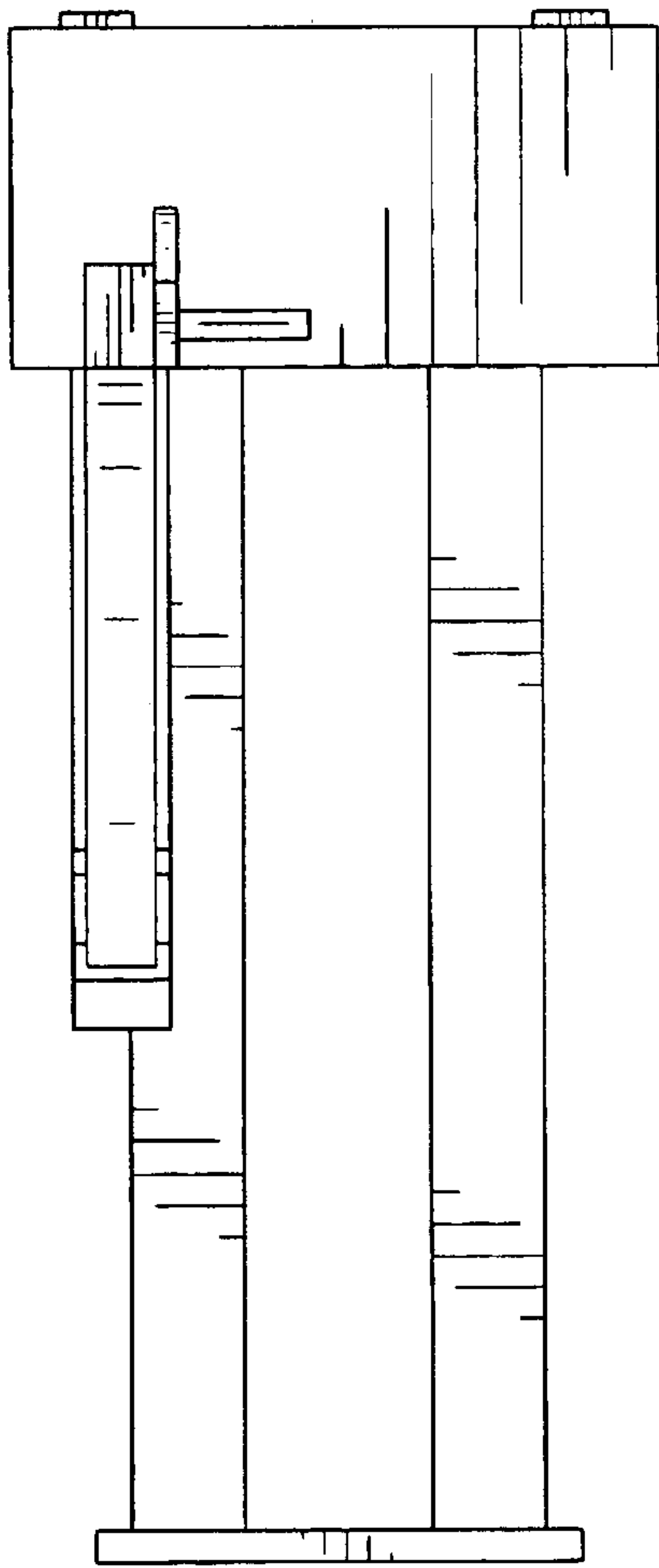


FIG. 2

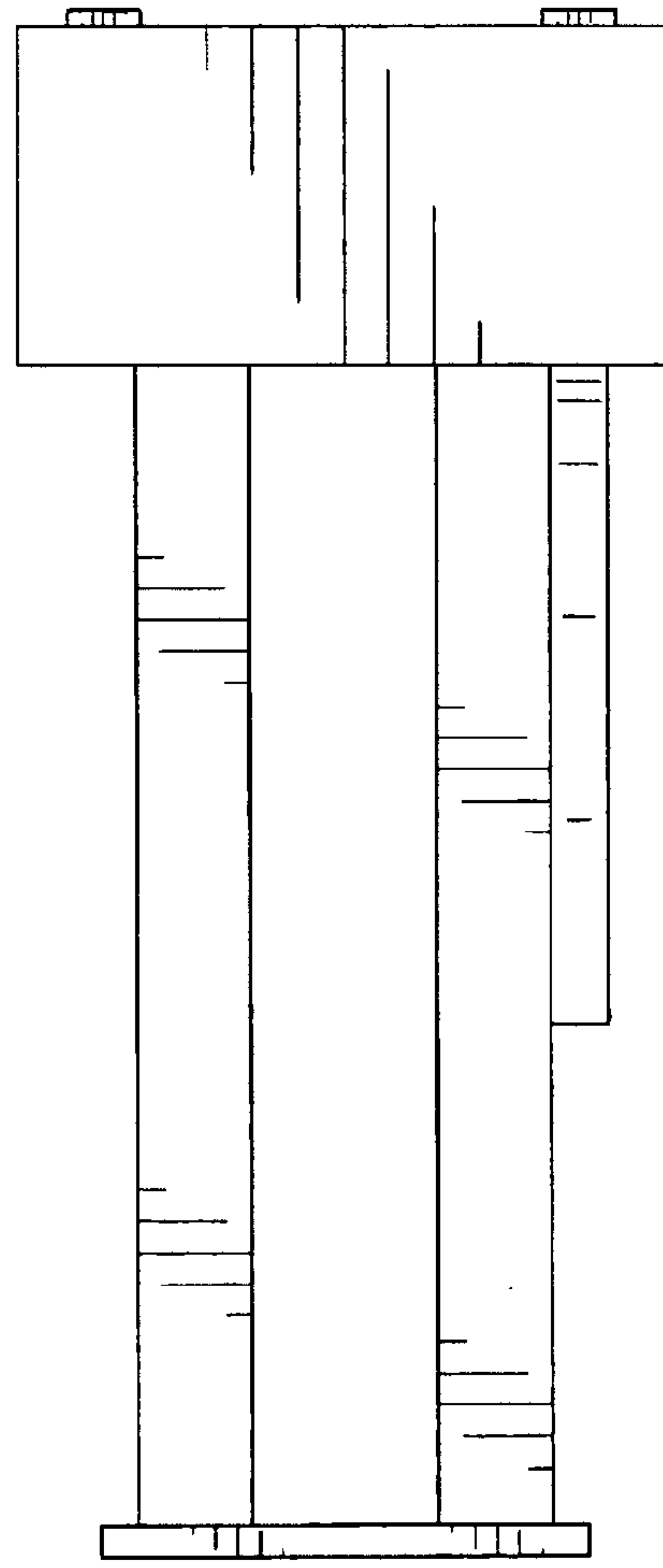


FIG. 3

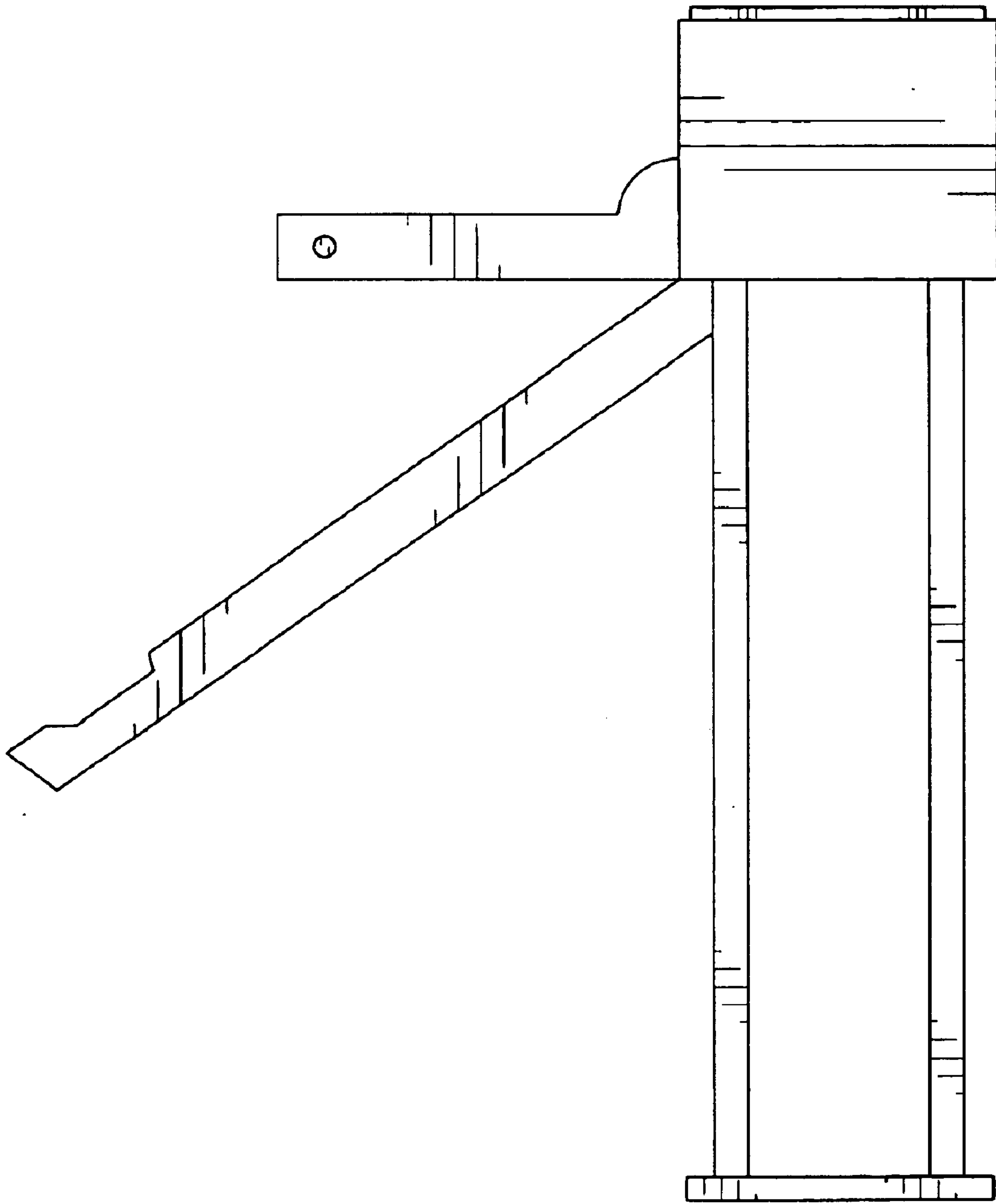


FIG. 4

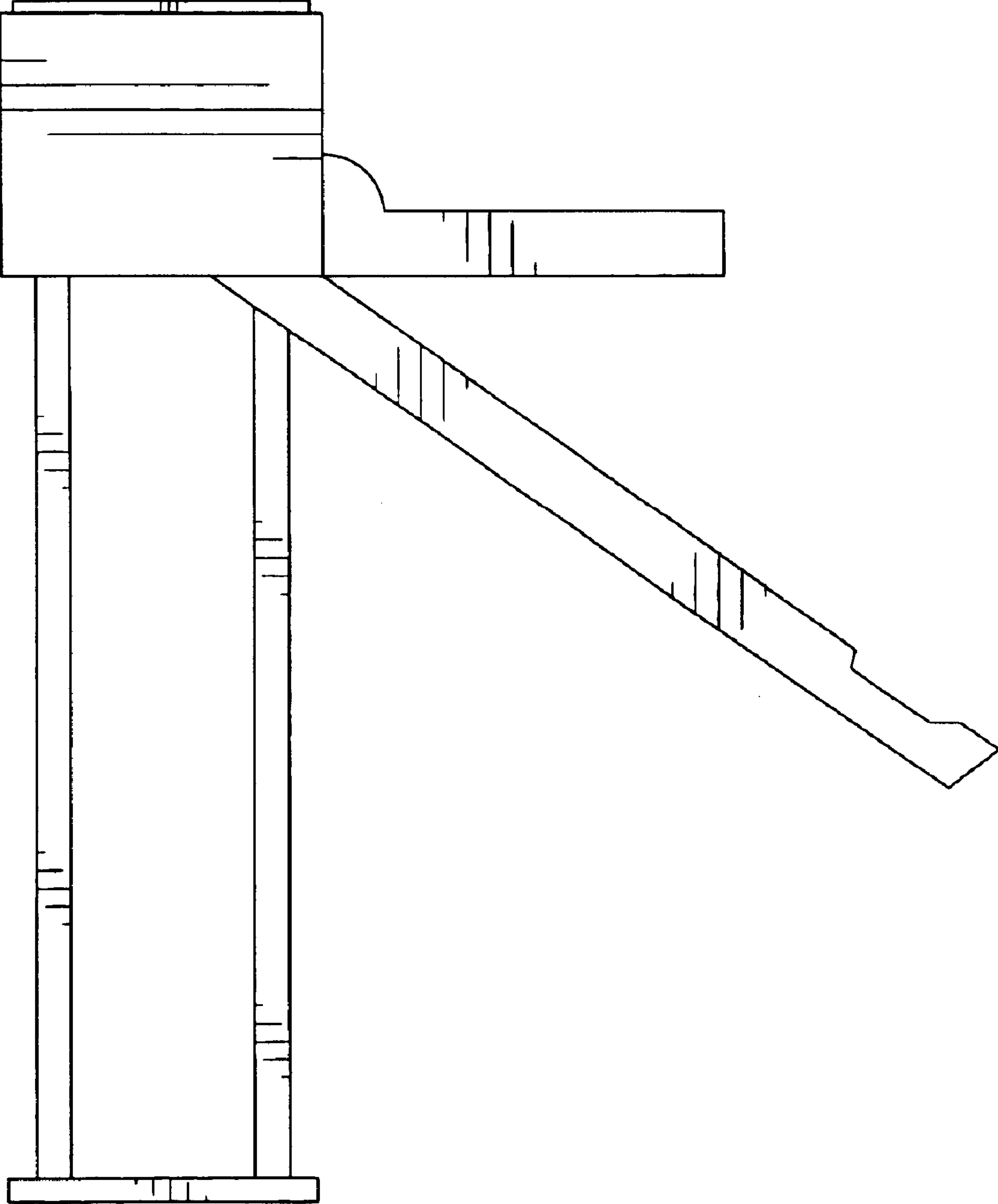


FIG. 5

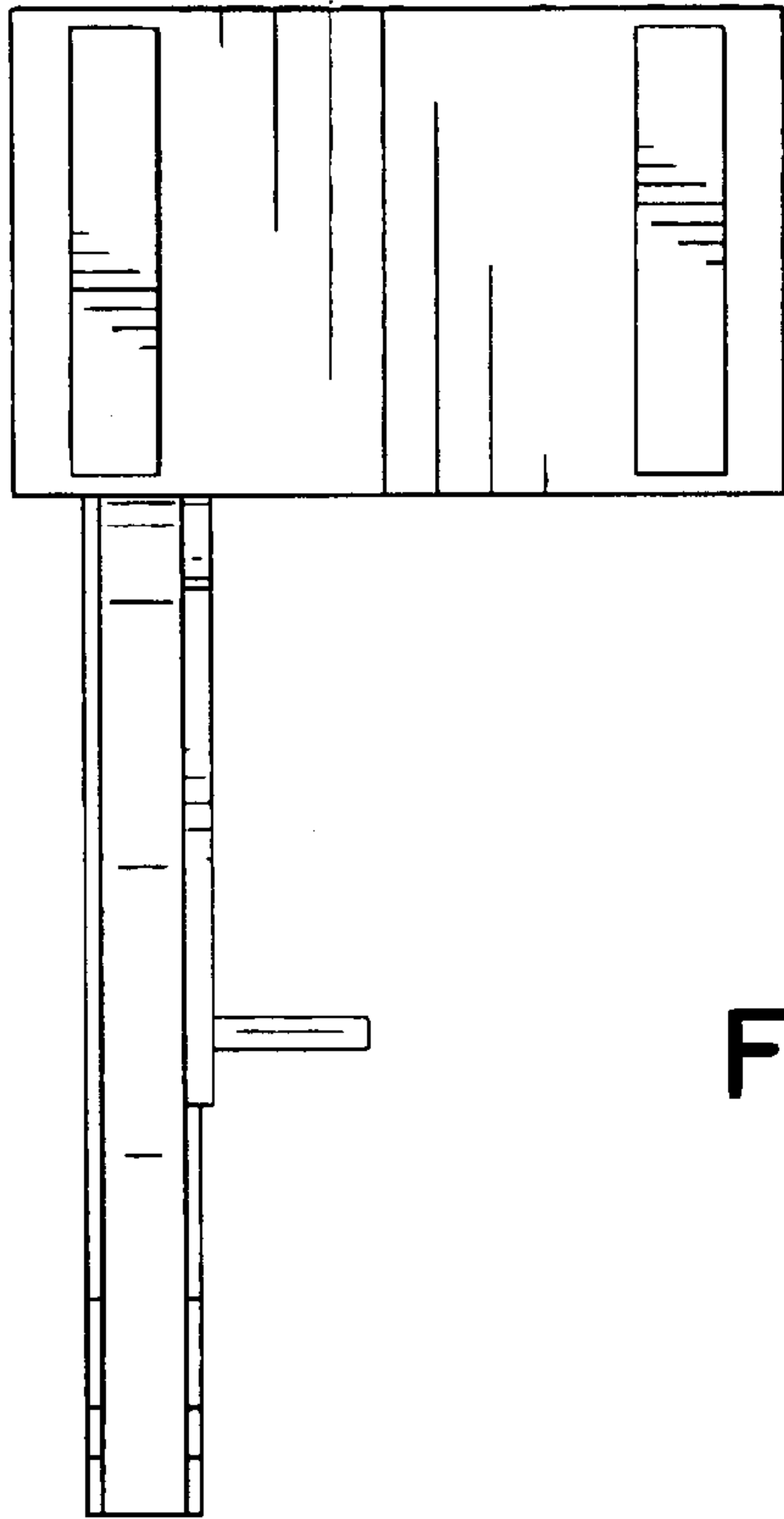


FIG. 6

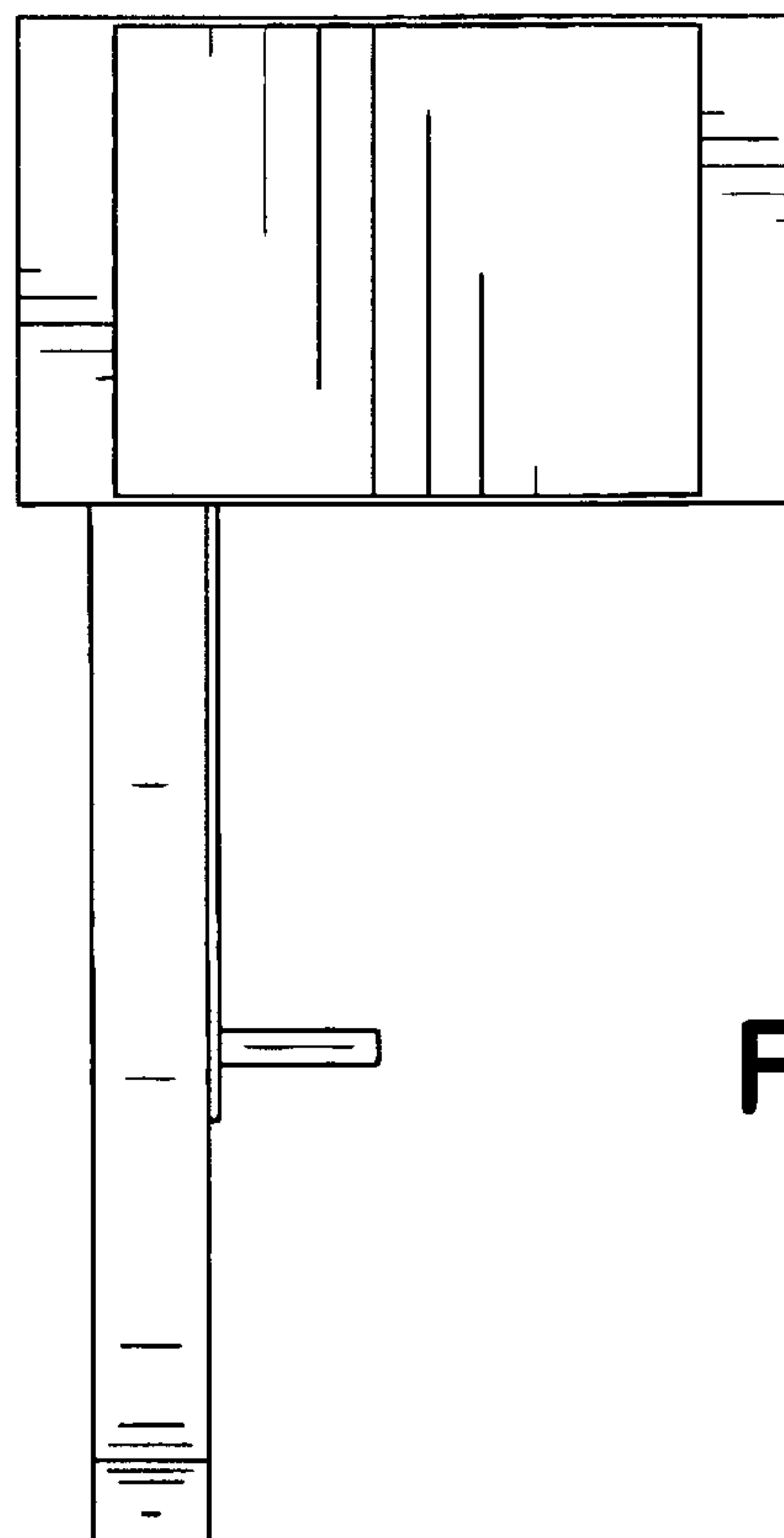


FIG. 7