

US00D508376S

(12) **United States Design Patent**  
**Bhavnani**

(10) **Patent No.:** **US D508,376 S**

(45) **Date of Patent:** **\*\* Aug. 16, 2005**

(54) **STEREO COOLER**

(75) **Inventor:** **Dilip Bhavnani, Commerce, CA (US)**

(73) **Assignee:** **Sun Coast Merchandise Corp.,  
Commerce, CA (US)**

(\*\*) **Term:** **14 Years**

(21) **Appl. No.:** **29/200,050**

(22) **Filed:** **Feb. 20, 2004**

(51) **LOC (8) Cl. .... 07-01**

(52) **U.S. Cl. .... D7/605; D3/279**

(58) **Field of Search .... D7/603-608; D3/273,  
D3/274, 276, 279, 289, 301, 303; 62/371,  
372, 457.1-457.8; 190/18 A, 100, 109,  
110-113, 127, 900; 383/109, 110, 113;  
220/915.1, 915.2, 592.03, 592.09, 592.16,  
592.2; 280/47.17, 47.371**

(56) **References Cited**

**U.S. PATENT DOCUMENTS**

4,724,681 A \* 2/1988 Bartholomew et al. .... 62/457.7  
D354,397 S \* 1/1995 Berman ..... D3/276  
D364,504 S \* 11/1995 Bieber et al. .... D3/276

D370,159 S \* 5/1996 Fenton et al. .... D7/605  
D374,773 S \* 10/1996 Domotor ..... D3/279  
D387,625 S \* 12/1997 Kai Fai ..... D7/605  
D395,361 S \* 6/1998 Zions et al. .... D3/279  
D479,042 S \* 9/2003 Szyf et al. .... D3/279

\* cited by examiner

*Primary Examiner*—Terry A. Wallace

(74) *Attorney, Agent, or Firm*—Brian Carpenter

(57) **CLAIM**

The ornamental design for a stereo cooler, as shown and described.

**DESCRIPTION**

FIG. 1 is a front view of the stereo cooler showing the new design;

FIG. 2 is a right side view thereof;

FIG. 3 is a rear view thereof;

FIG. 4 is a left side view thereof;

FIG. 5 is a bottom plan view thereof;

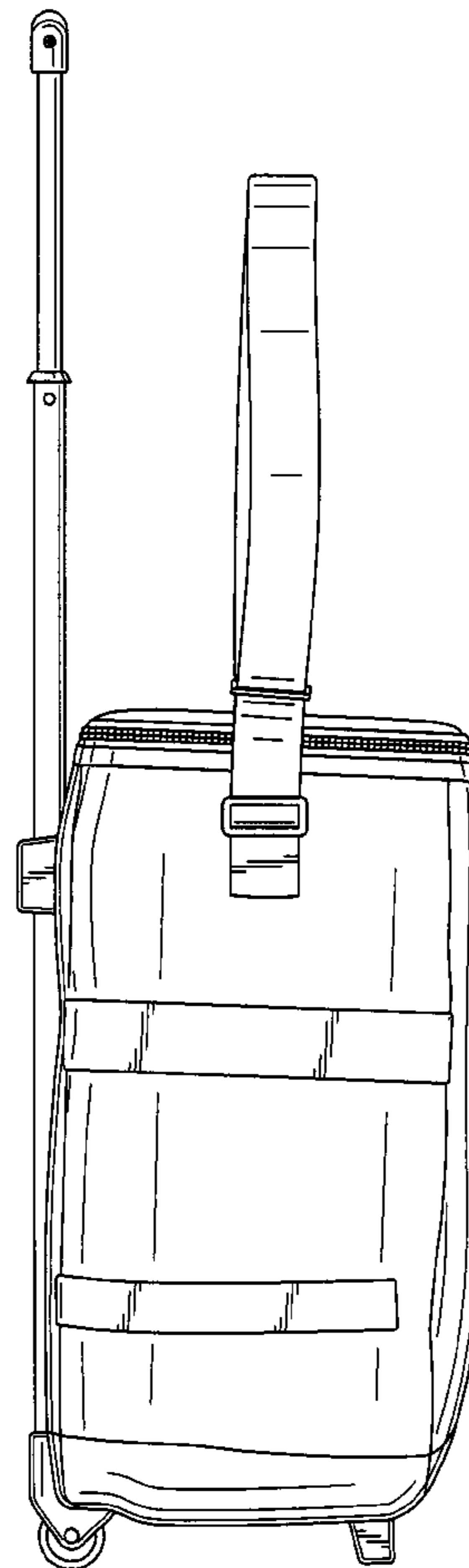
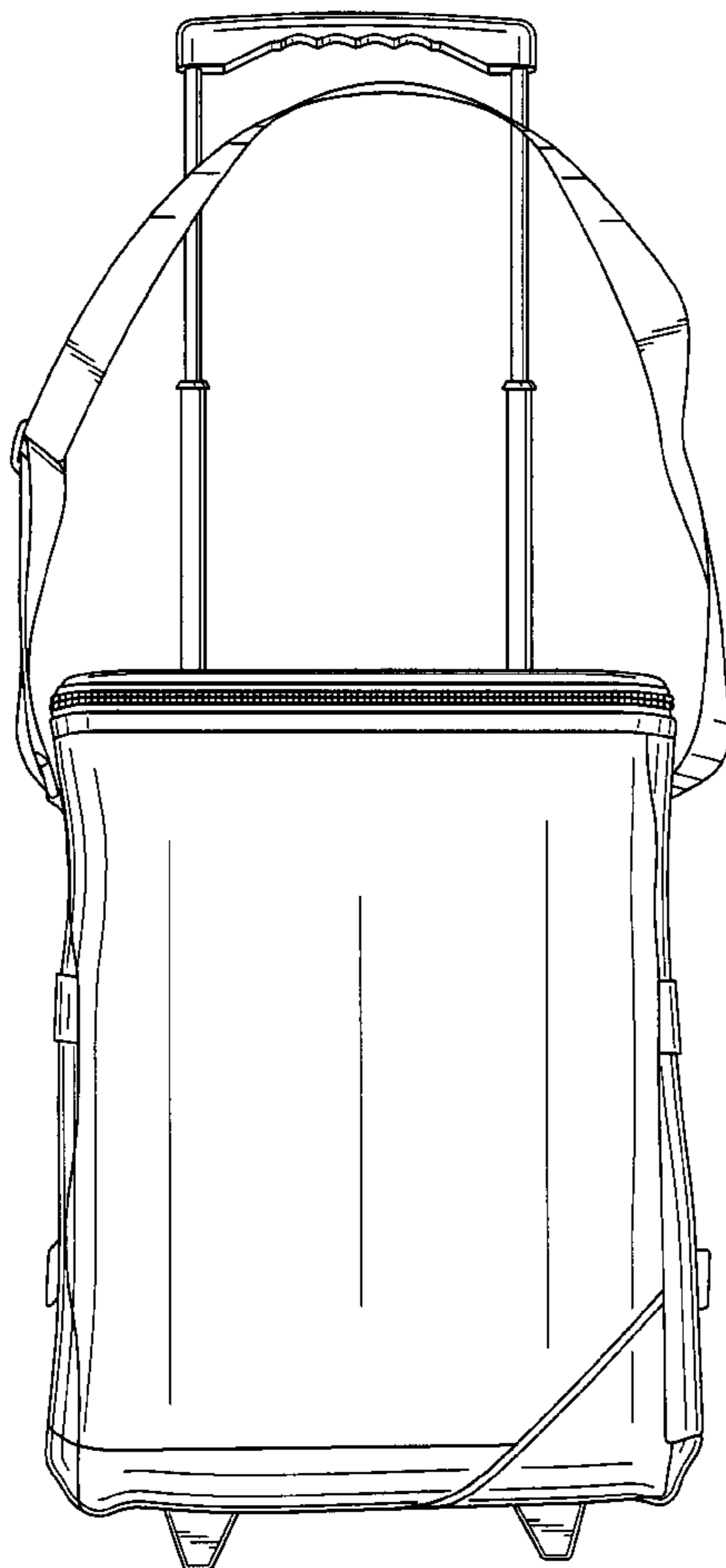
FIG. 6 is a top plan view thereof;

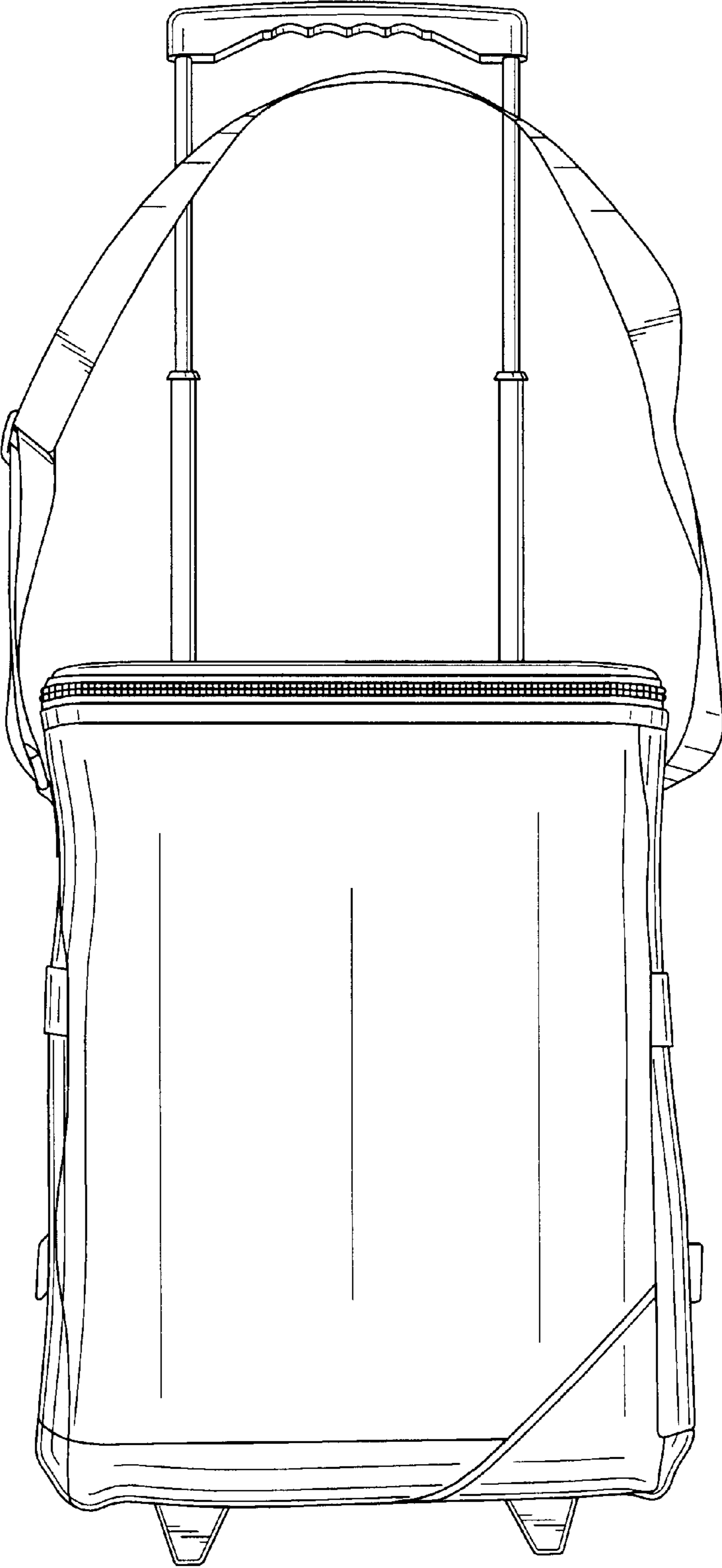
FIG. 7 is a front view thereof with the lid open;

FIG. 8 is a right side view of FIG. 7; and,

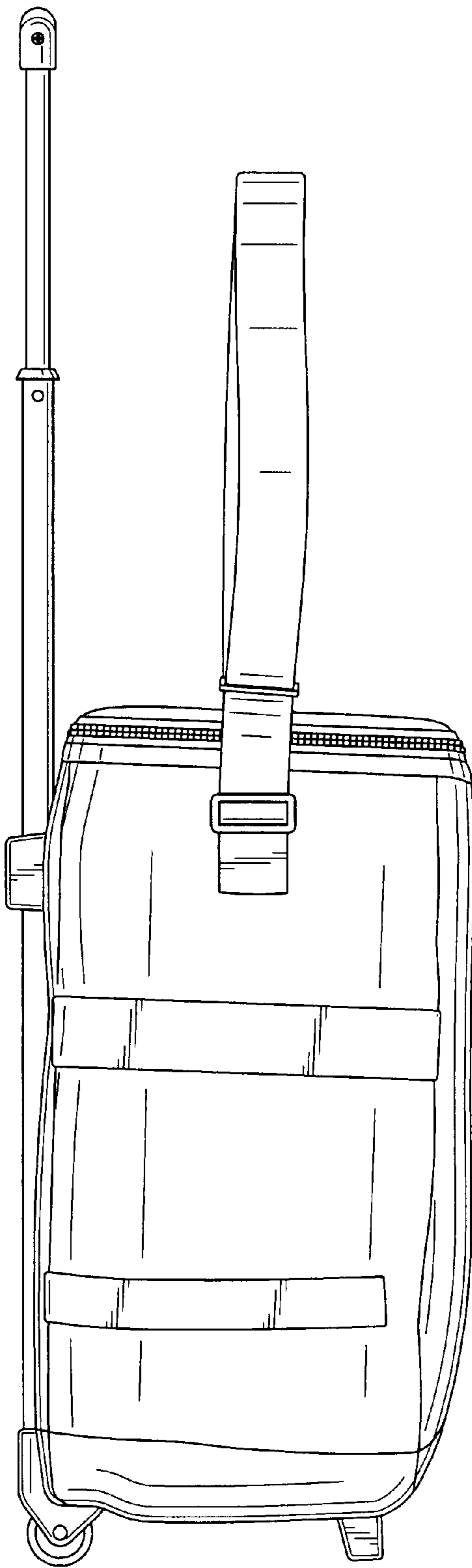
FIG. 9 is a top plan view of FIG. 7.

**1 Claim, 8 Drawing Sheets**

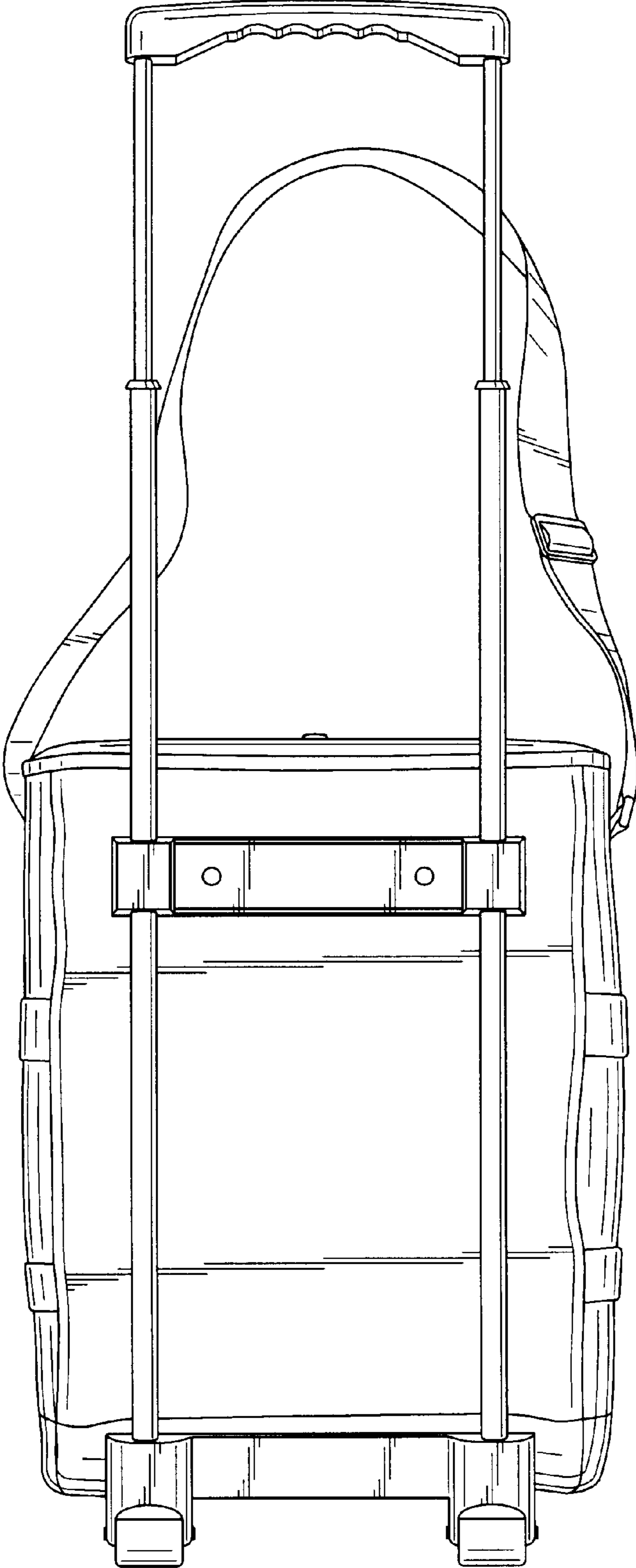




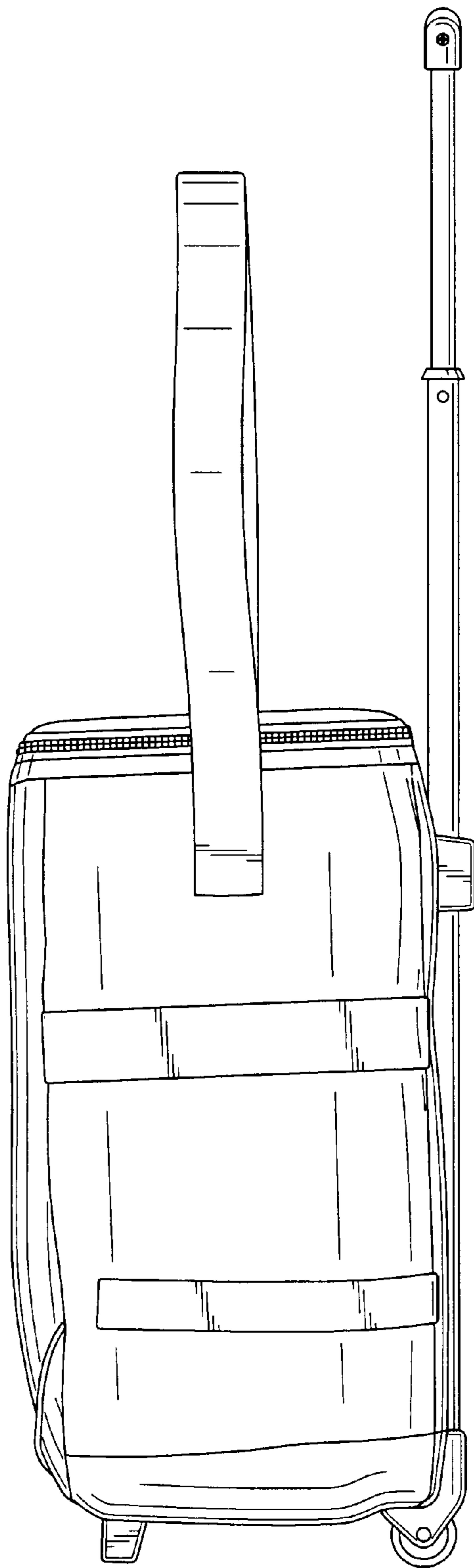
*FIG. 1*



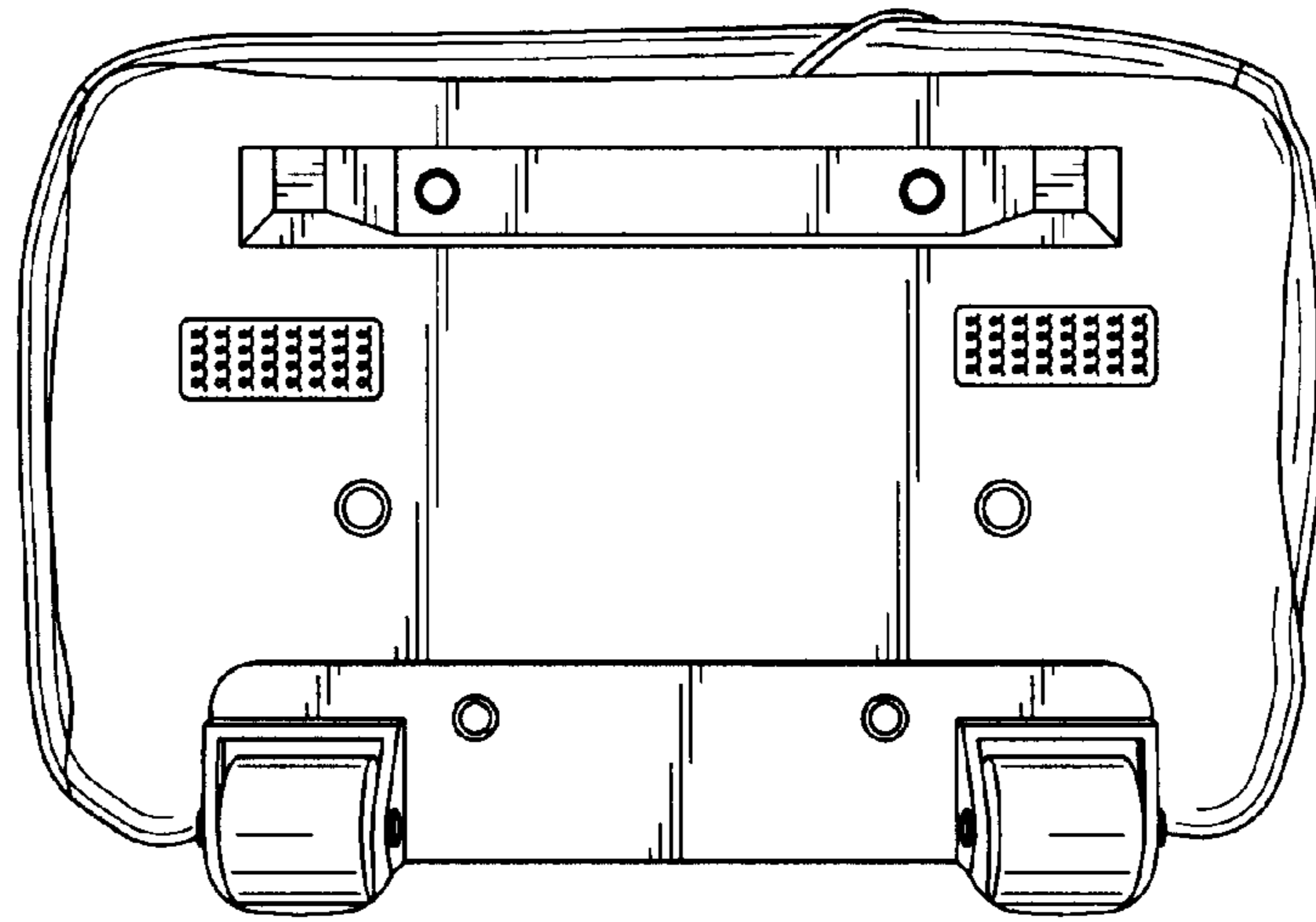
*FIG. 2*



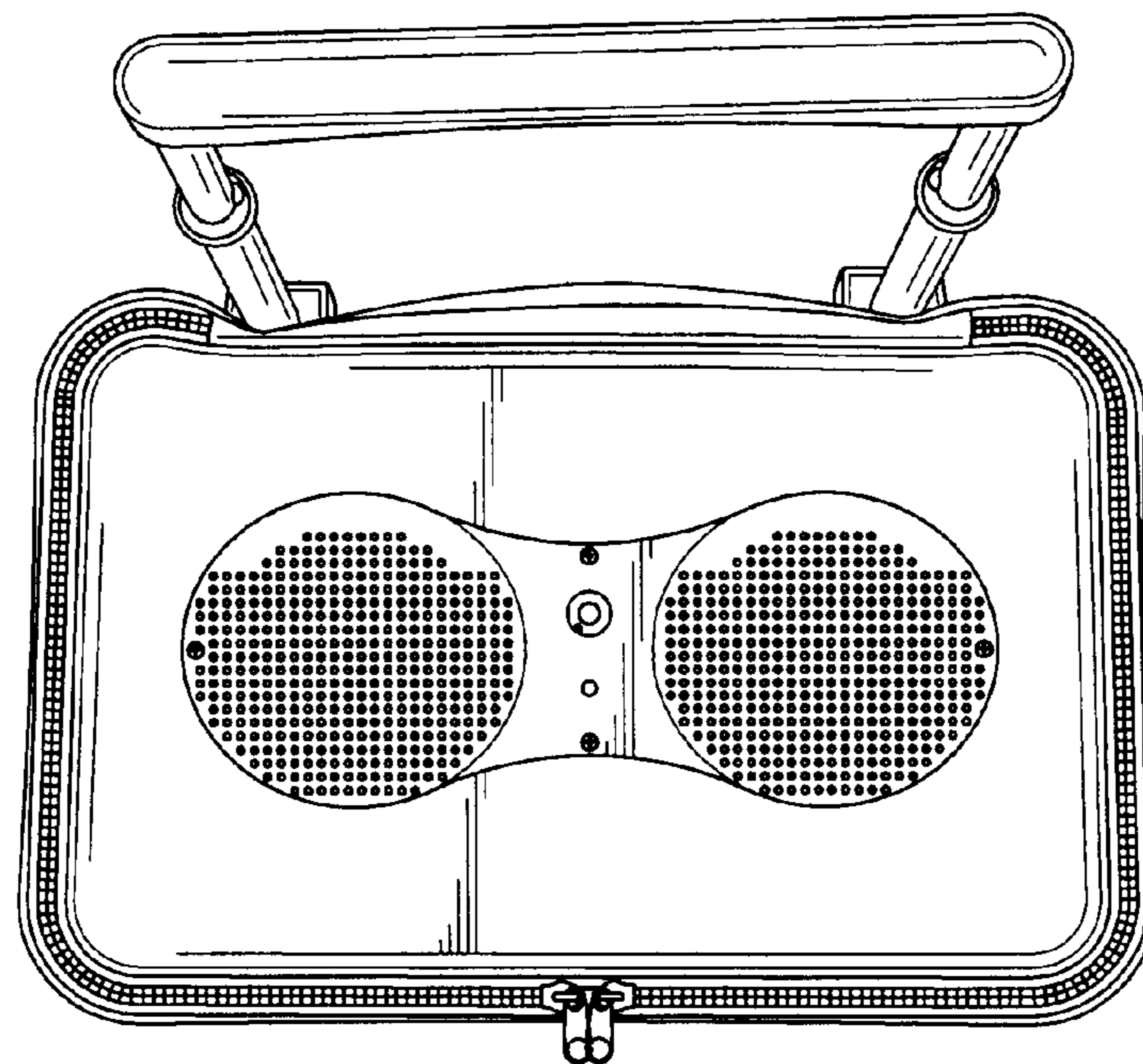
*FIG. 3*



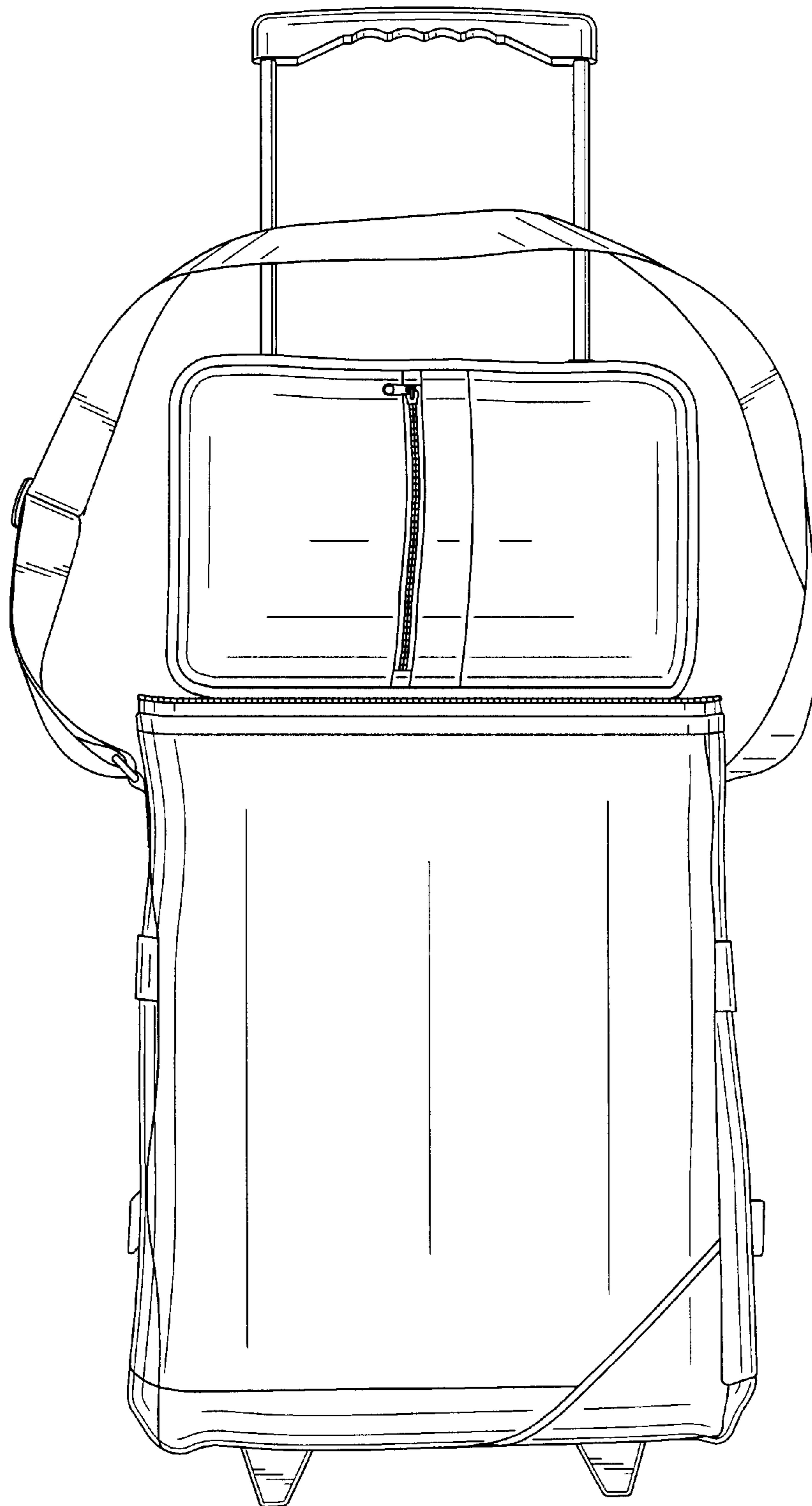
*FIG. 4*



*FIG. 5*



*FIG. 6*



*FIG. 7*

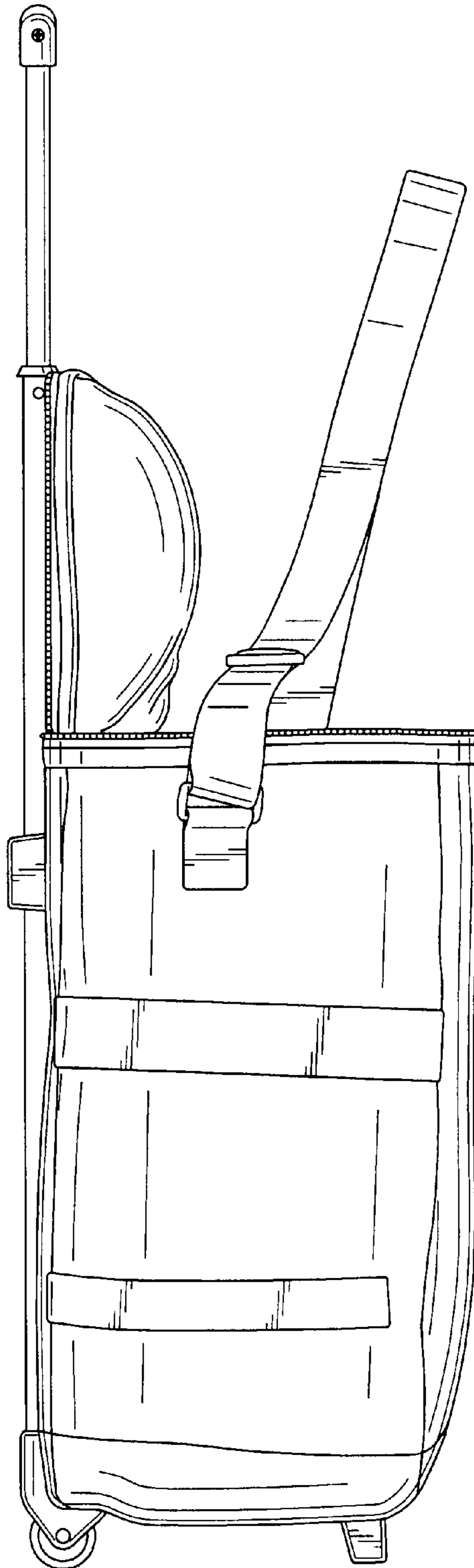
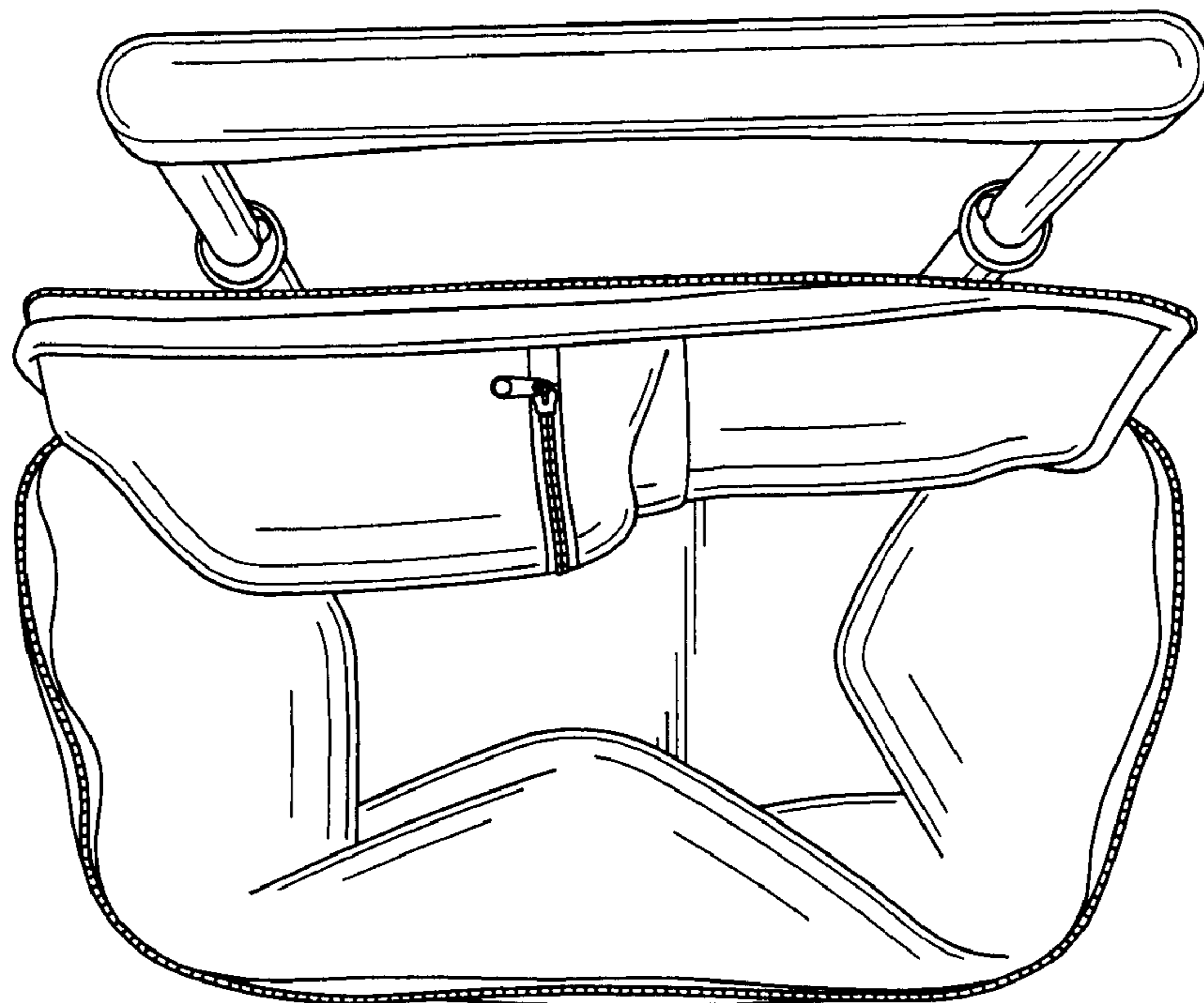


FIG. 8





*FIG. 9*