



US00D508371S

(12) **United States Design Patent**
Campbell

(10) **Patent No.:** **US D508,371 S**
(45) **Date of Patent:** **** Aug. 16, 2005**

- (54) **HANDLE FOR A KITCHEN UTENSIL**
- (76) Inventor: **Phillip Campbell**, P.O. Box 841,
Livingston, MT (US) 59047
- (**) Term: **14 Years**
- (21) Appl. No.: **29/201,659**
- (22) Filed: **Mar. 18, 2004**
- (51) **LOC (8) Cl.** **07-02**
- (52) **U.S. Cl.** **D7/395**
- (58) **Field of Search** D7/395, 653, 691,
D7/688, 393, 401.2; 30/147-150, 322-328;
294/55; D8/107

(56) **References Cited**
U.S. PATENT DOCUMENTS

103,055	A	*	5/1870	Kinzer	D7/395
D14,946	S	*	4/1884	Hart	D7/653
D268,244	S	*	3/1983	Morin	D7/691
D403,600	S	*	1/1999	Conforti et al.	D7/691
D408,217	S	*	4/1999	LoGiudice	D7/688
D413,772	S	*	9/1999	Durbin	D7/688
D423,306	S	*	4/2000	Kari	D7/691
D456,209	S	*	4/2002	Prince et al.	D7/401.2
D461,992	S	*	8/2002	Laib	D7/393
D463,957	S	*	10/2002	Junko	D7/653
D490,662	S	*	6/2004	Shane-Schuldt	D7/653
D494,008	S	*	8/2004	Prommel et al.	D7/395
D502,051	S	*	2/2005	Stewart	D7/393

* cited by examiner

Primary Examiner—Gary D. Watson

Assistant Examiner—Terrence Huang

(74) *Attorney, Agent, or Firm*—John R. Benefiel

(57) **CLAIM**

The ornamental design for a handle for a kitchen utensil, as shown and described.

DESCRIPTION

FIG. 1 is a perspective view of a first embodiment of a handle for a kitchen utensil according to the present invention, with an attached measuring cup shown in phantom lines, not forming a part of the invention.

FIG. 2 is a top view of the handle shown in FIG. 1 with an attached measuring cup shown in phantom lines, not forming a part of the invention.

FIG. 3 is a bottom view of the handle shown in FIGS. 1 and 2 with an attached measuring cup shown in phantom lines, not forming a part of the invention.

FIG. 4 is a left side view of the handle shown in FIGS. 1-3 with an attached measuring cup shown in phantom lines, not forming a part of the invention, the right side being a mirror image.

FIG. 5 is a front end view of the handle with an attached measuring cup shown in phantom lines, not forming a part of the invention.

FIG. 6 is a rear end view of the handle with an attached measuring cup shown in phantom lines, not forming a part of the invention.

FIG. 7 is a perspective view of a second embodiment of a handle according to the invention with an attached measuring spoon shown in phantom lines, not forming a part of the present invention.

FIG. 8 is a right side view of the handle shown in FIG. 7, with an attached measuring spoon shown in phantom lines, not forming a part of the present invention.

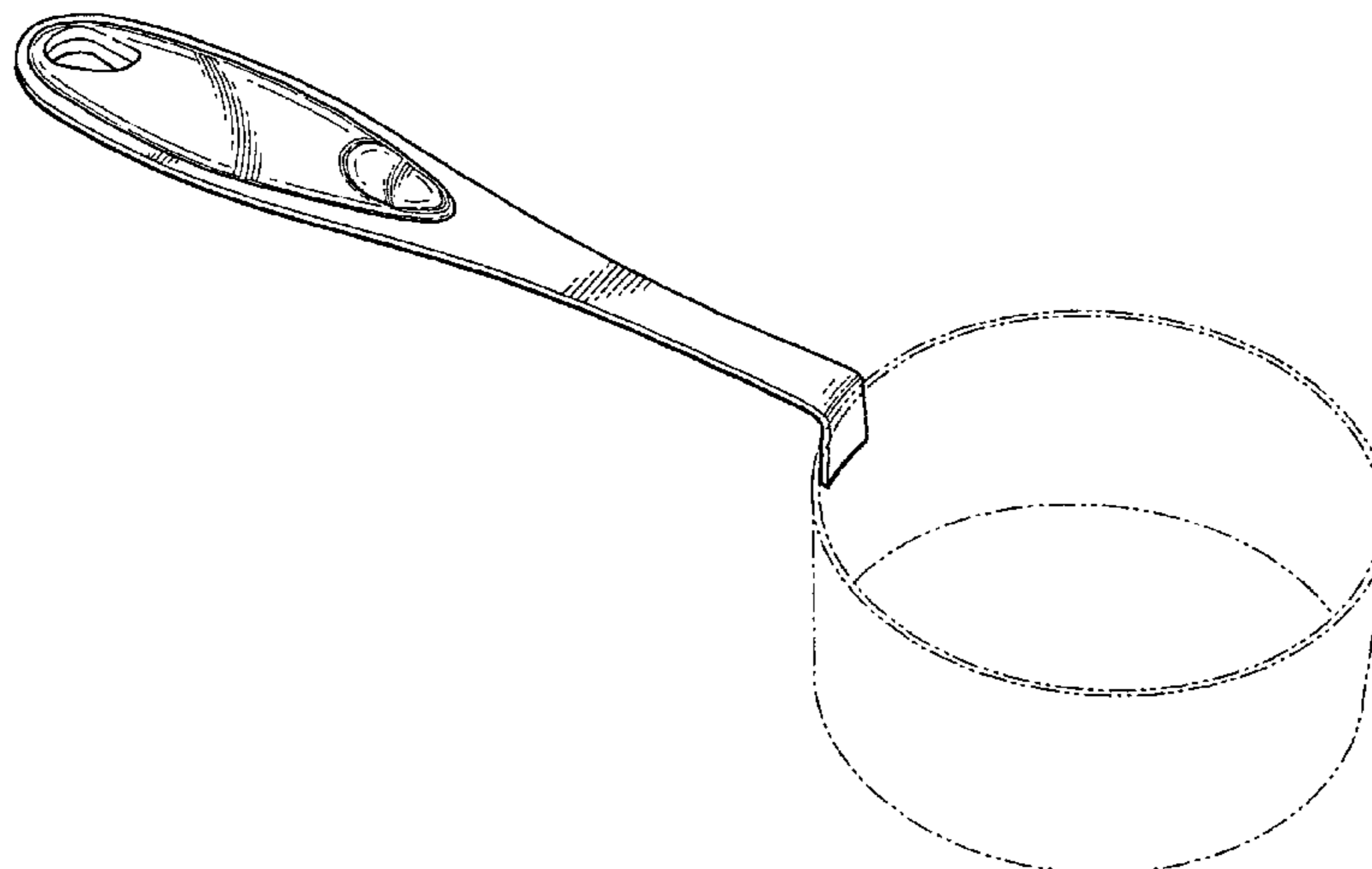
FIG. 9 is a front view of the handle shown in FIGS. 7 and 8, with an attached measuring spoon shown in phantom lines, not forming a part of the present invention.

FIG. 10 is a top view of the handle shown in FIGS. 7-9, with an attached measuring spoon shown in phantom lines, not forming a part of the present invention.

FIG. 11 is a rear end view of the handle shown in FIGS. 7-10, with an attached measuring spoon shown in phantom lines, not forming a part of the present invention; and,

FIG. 12 is a bottom view of the handle shown in FIGS. 7-10, with an attached measuring spoon shown in phantom lines, not forming a part of the present invention.

1 Claim, 5 Drawing Sheets



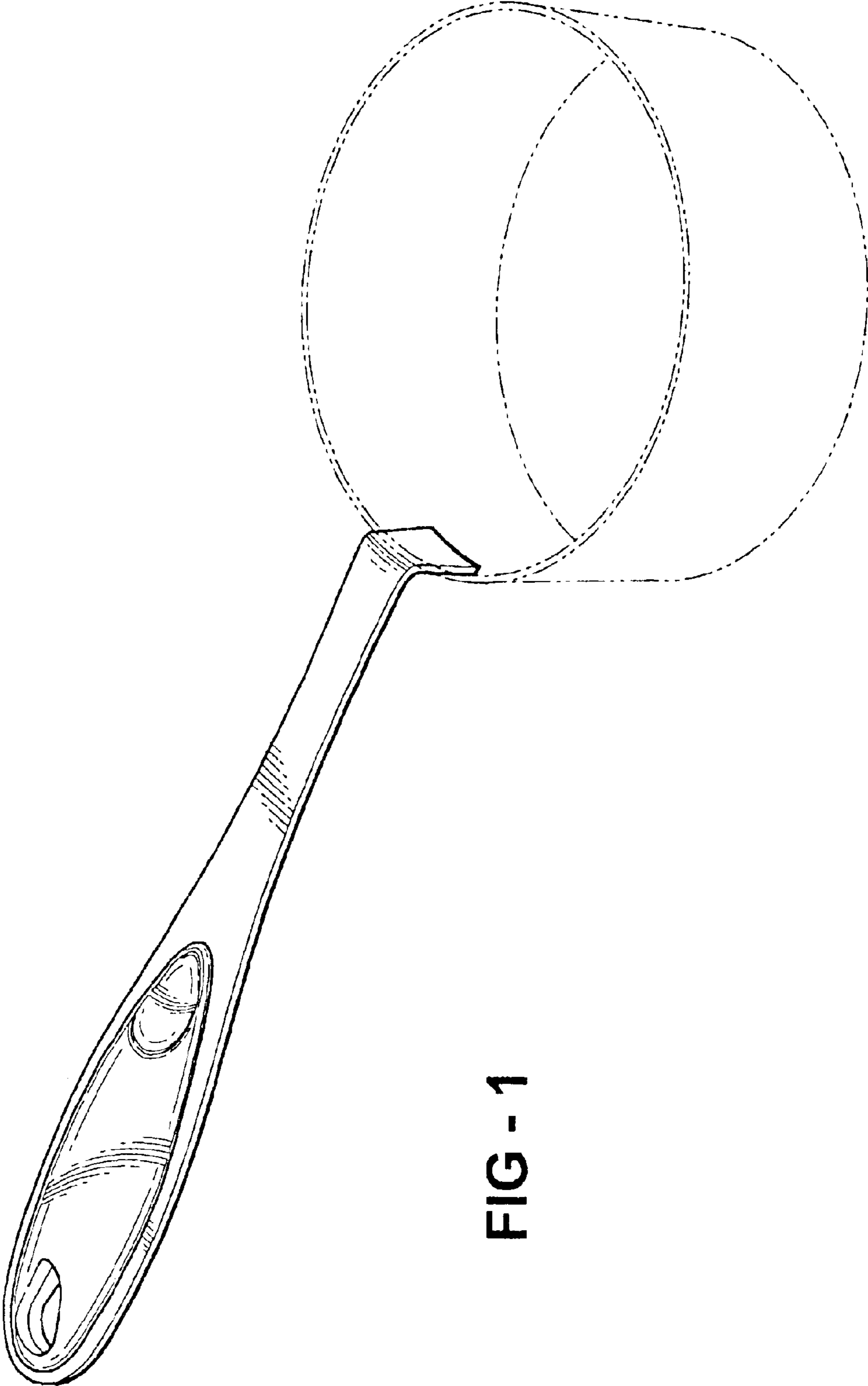


FIG - 1

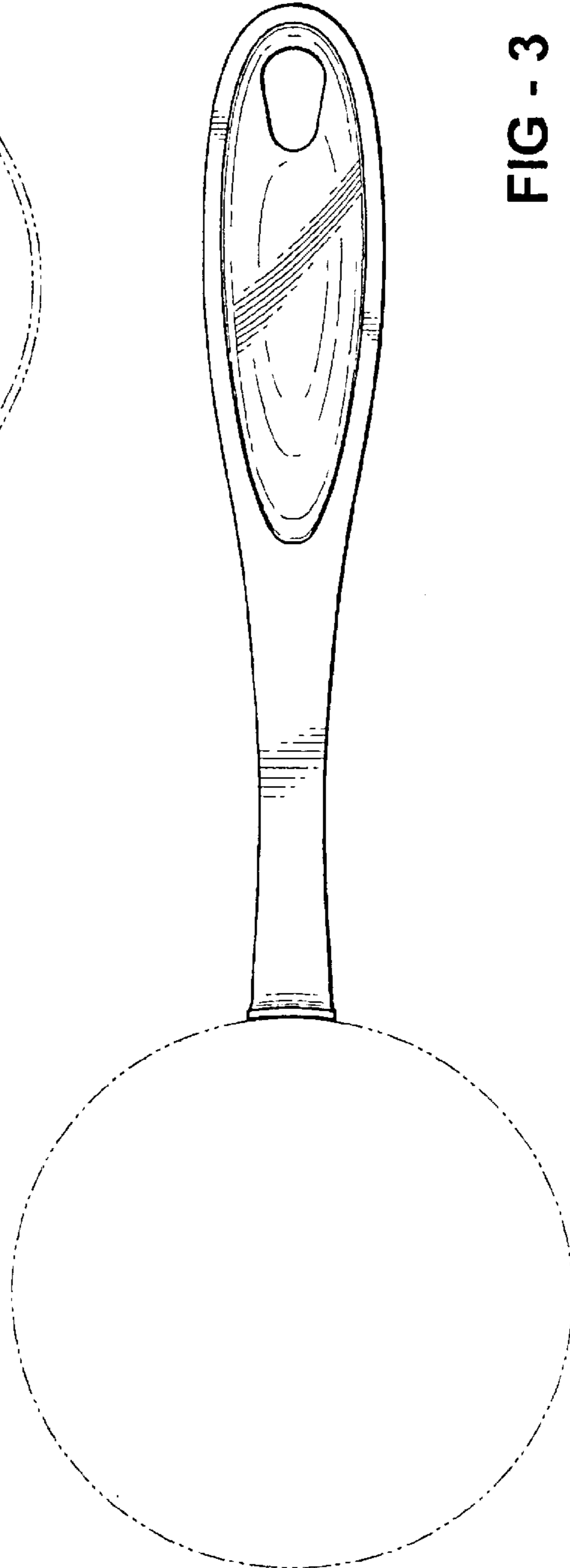
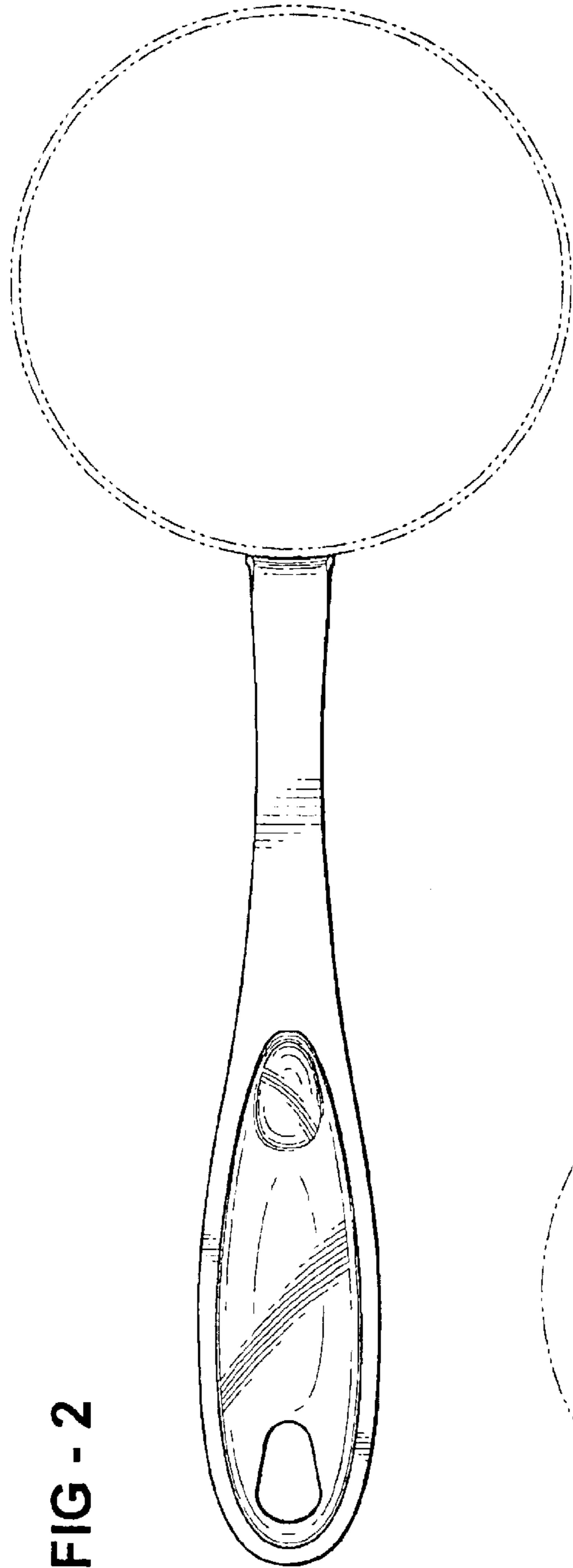


FIG - 4

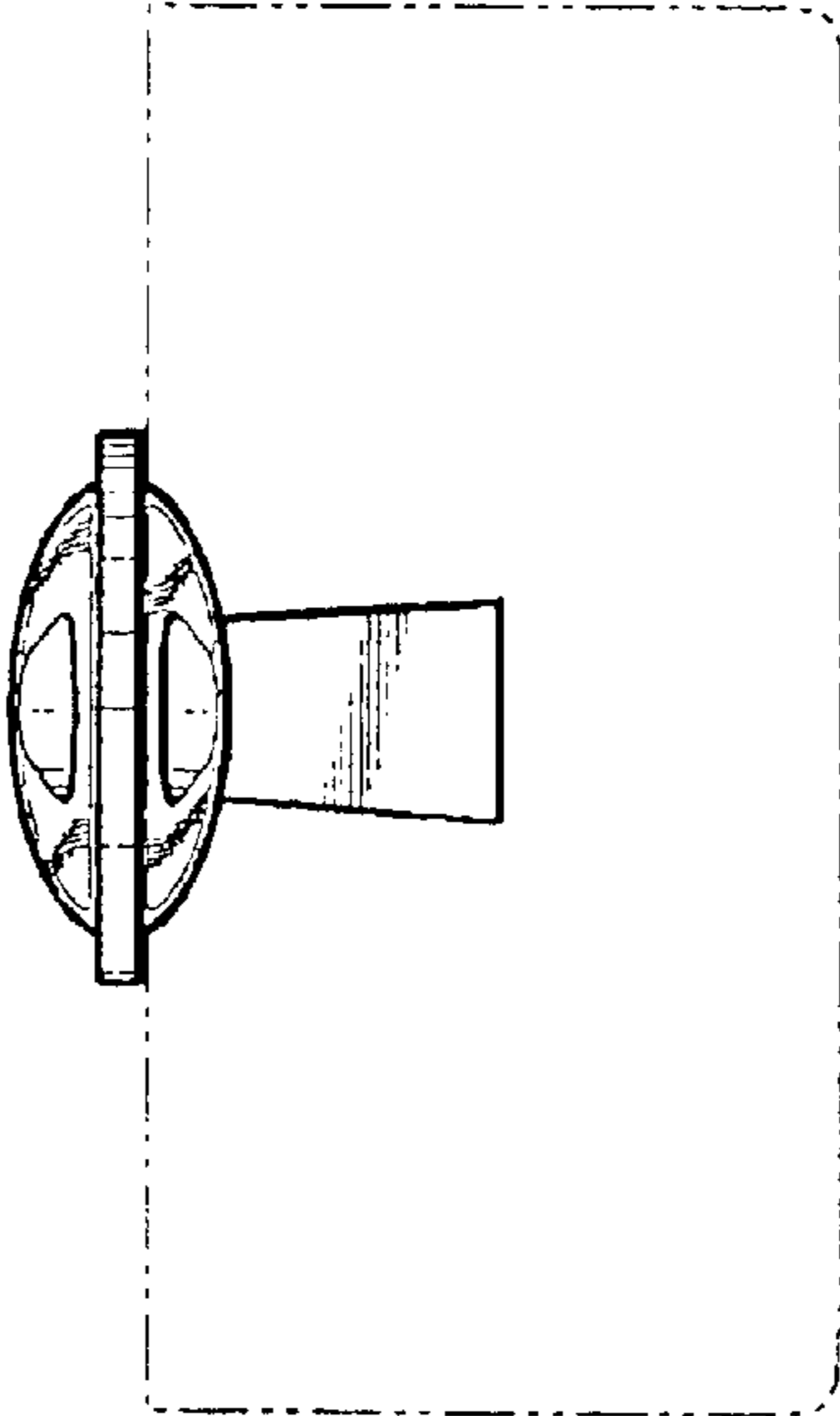
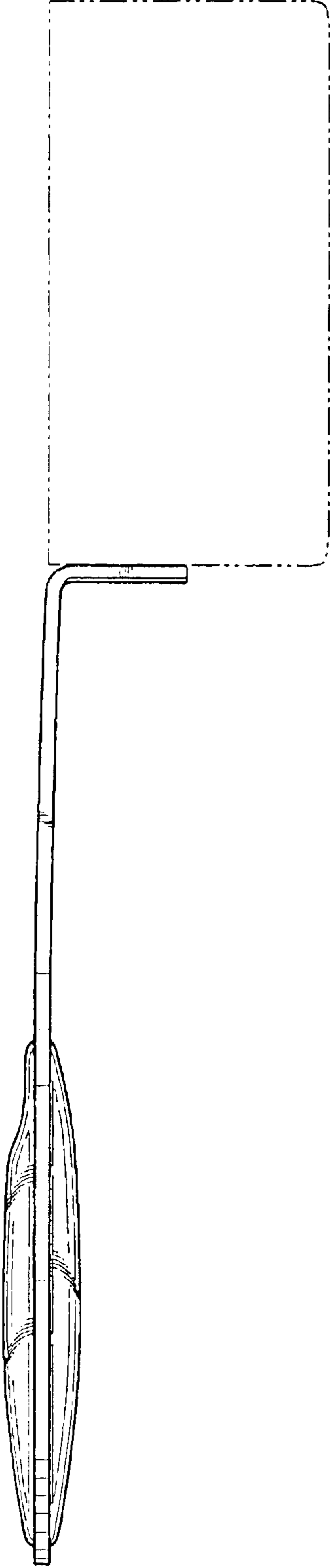


FIG - 5

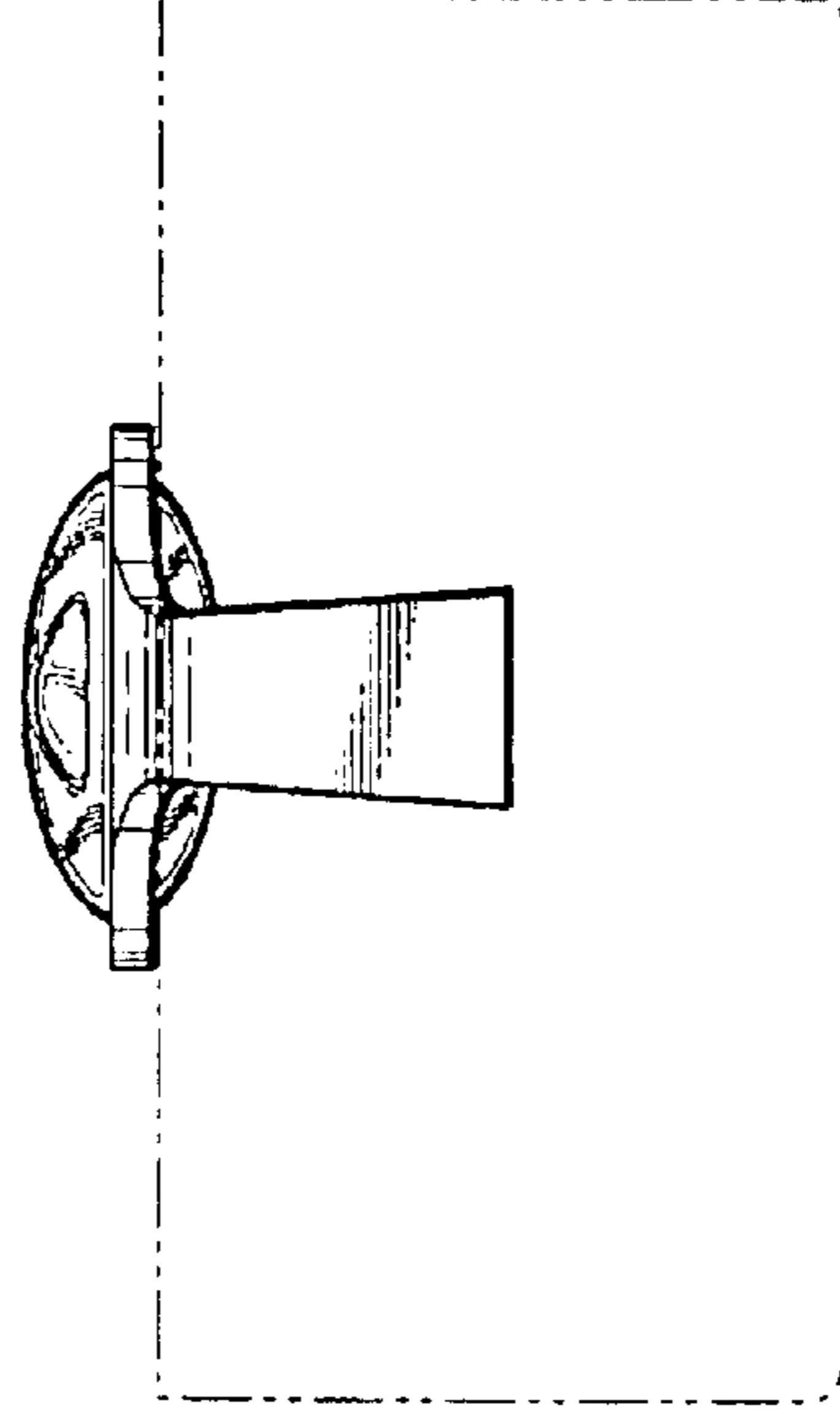


FIG - 6

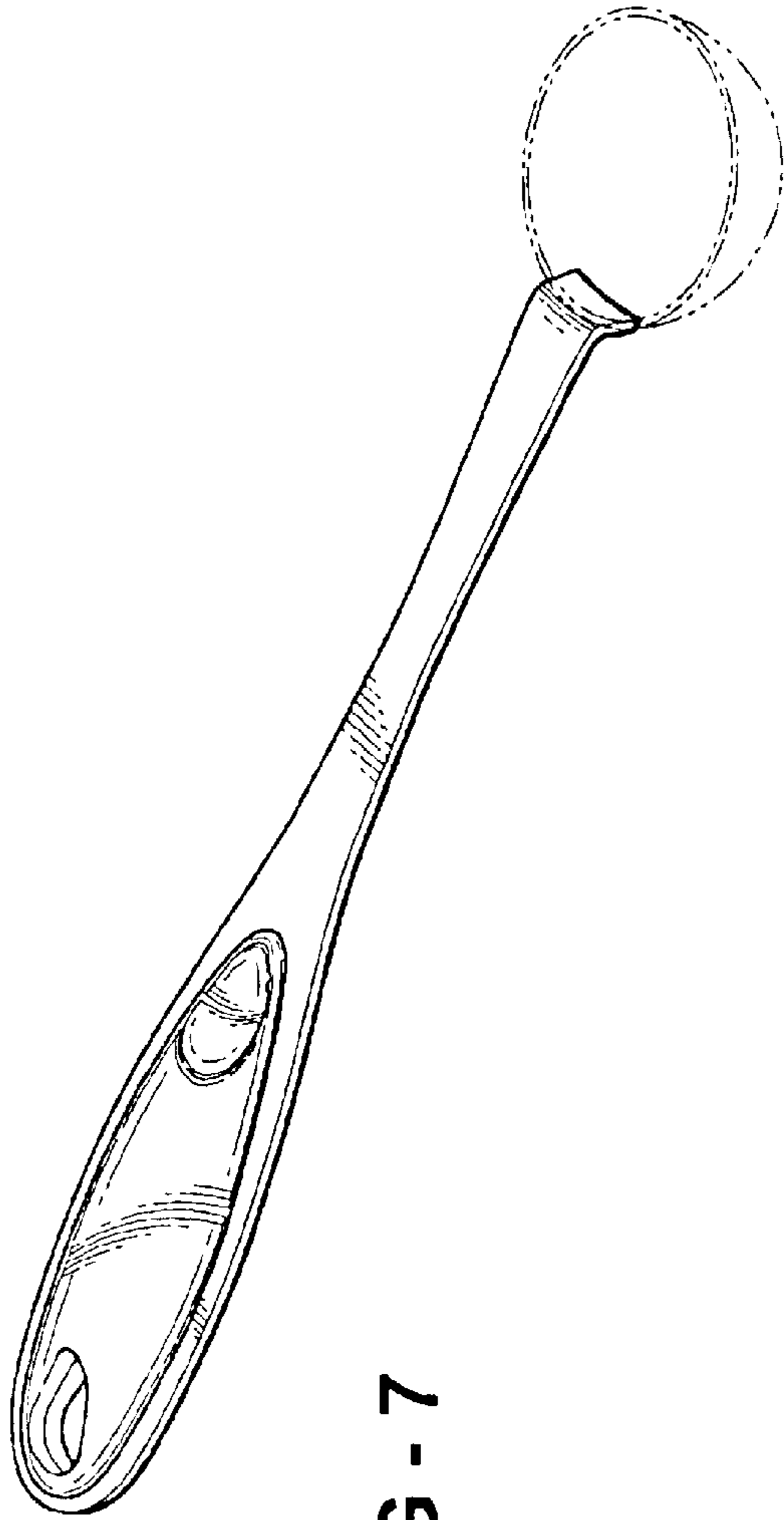


FIG - 7

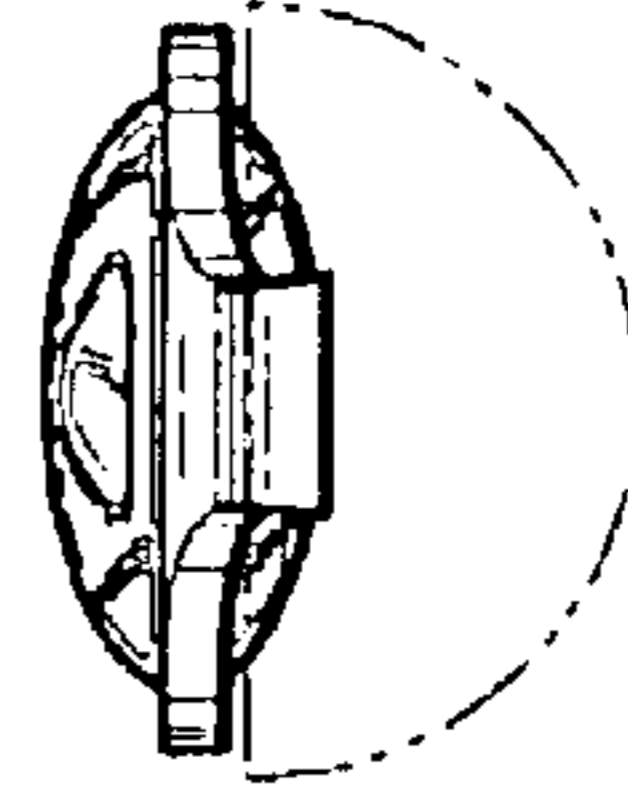


FIG - 9

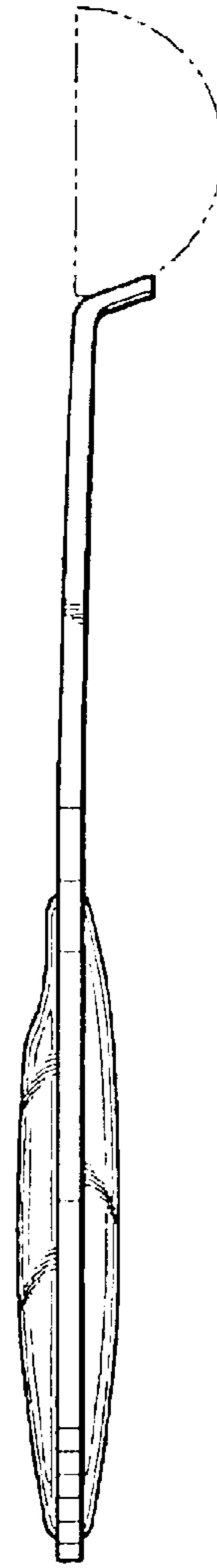


FIG - 8

FIG - 10

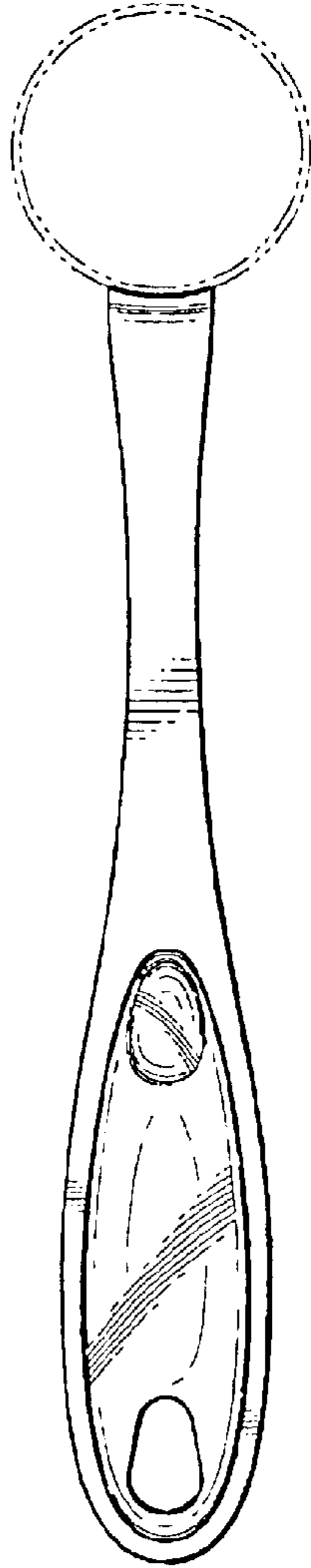


FIG - 11

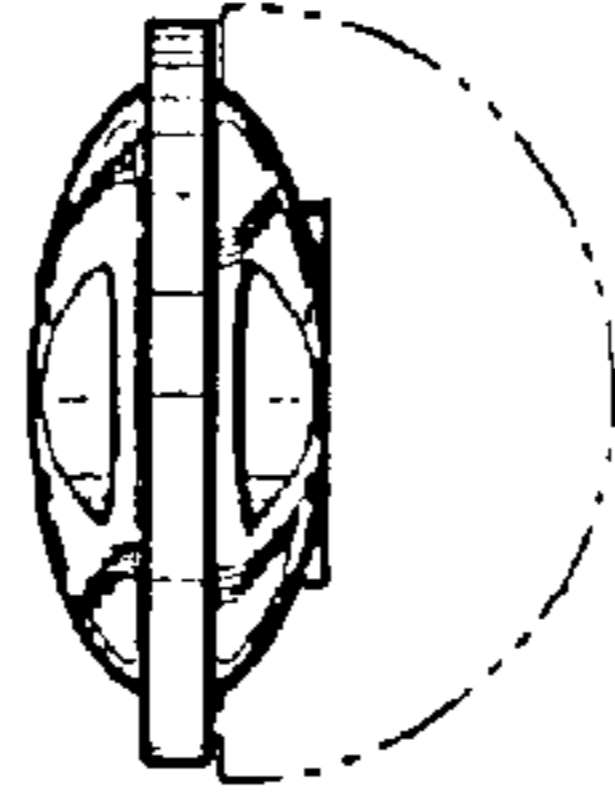


FIG - 12

