

US00D508370S

(12) **United States Design Patent**  
**Cuillery**

(10) **Patent No.: US D508,370 S**

(45) **Date of Patent: \*\* Aug. 16, 2005**

(54) **HANDLE FOR COOKING UTENSILS**

(75) **Inventor: Pascal Cuillery, Faverges (FR)**

(73) **Assignee: Tefal S.A., Rumilly (FR)**

(\*\*) **Term: 14 Years**

(21) **Appl. No.: 29/202,048**

(22) **Filed: Mar. 25, 2004**

(30) **Foreign Application Priority Data**

Sep. 30, 2003 (FR) ..... 03 4730

(51) **LOC (8) Cl. .... 07-02**

(52) **U.S. Cl. .... D7/394**

(58) **Field of Search** ..... D7/394, 393, 664,  
D7/395, 354-361; 16/110.1, 425, 430; 220/513.1,  
752, 753, 759, 770, 771, 912

(56) **References Cited**

**U.S. PATENT DOCUMENTS**

|            |   |         |               |       |        |
|------------|---|---------|---------------|-------|--------|
| D348,178 S | * | 6/1994  | Munari        | ..... | D7/394 |
| D383,034 S | * | 9/1997  | Ancona et al. | ..... | D7/664 |
| D384,552 S | * | 10/1997 | Baumgarten    | ..... | D7/393 |
| D391,444 S | * | 3/1998  | Munari        | ..... | D7/394 |
| D410,817 S | * | 6/1999  | Brunianyn     | ..... | D7/393 |
| D422,177 S | * | 4/2000  | Brady         | ..... | D7/394 |

|            |   |         |           |       |        |
|------------|---|---------|-----------|-------|--------|
| D457,385 S | * | 5/2002  | Dodane    | ..... | D7/393 |
| D457,387 S | * | 5/2002  | Coudurier | ..... | D7/394 |
| D461,092 S | * | 8/2002  | Coudurier | ..... | D7/393 |
| D461,094 S | * | 8/2002  | Coudurier | ..... | D7/394 |
| D470,011 S | * | 2/2003  | Munari    | ..... | D7/394 |
| D482,565 S | * | 11/2003 | Knor      | ..... | D7/393 |

\* cited by examiner

*Primary Examiner*—Gary D. Watson

*Assistant Examiner*—Terrence Huang

(74) *Attorney, Agent, or Firm*—Fross Zelnick Lehrman & Zissu, P.C.; David I. Greenbaum, Esq.

(57) **CLAIM**

The ornamental design for a handle for cooking utensils, as shown and described.

**DESCRIPTION**

FIG. 1 is a perspective view of a handle for cooking utensils showing my new design;

FIG. 2 is a top view thereof;

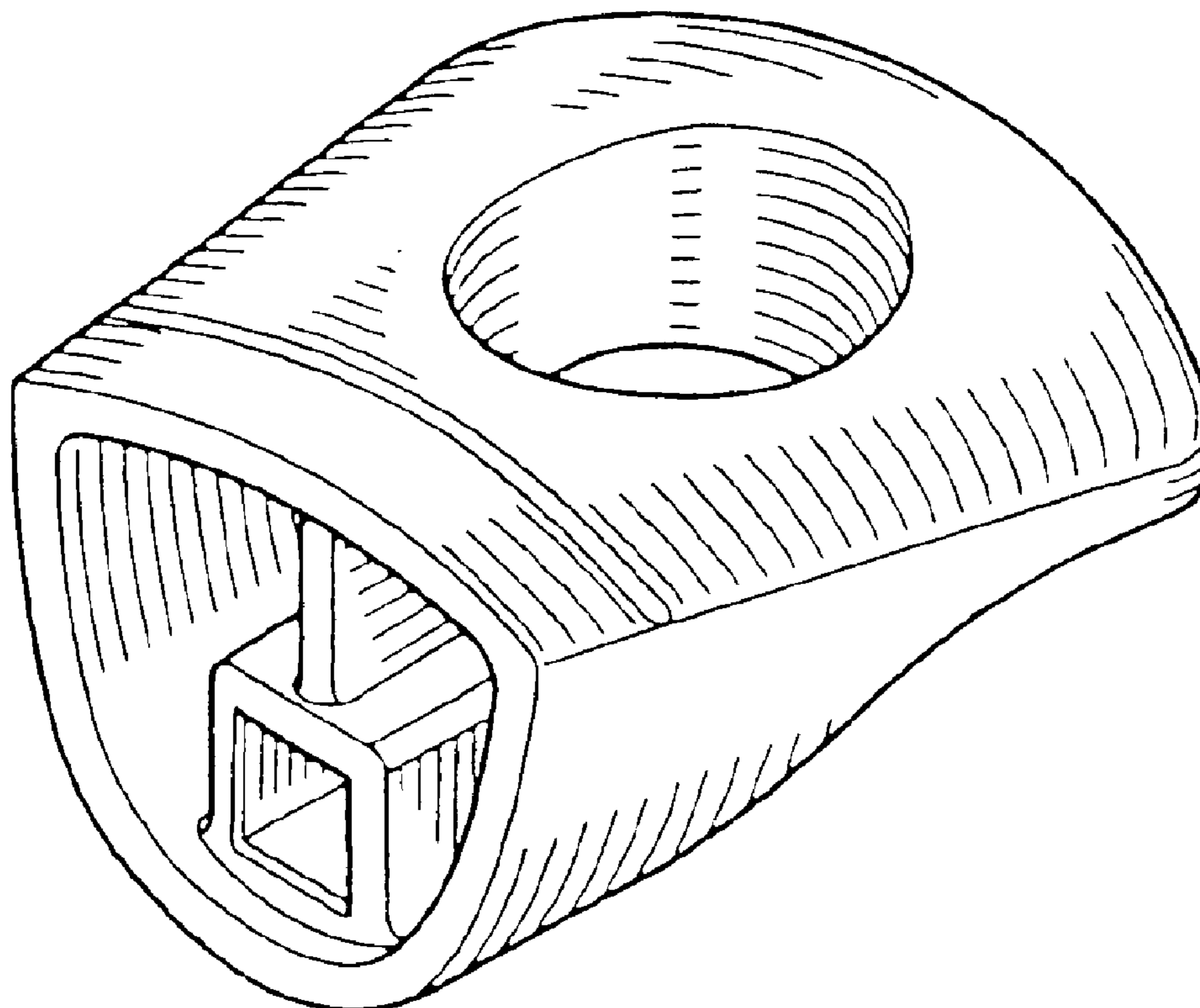
FIG. 3 is a bottom view thereof;

FIG. 4 is a front view thereof;

FIG. 5 is a rear view thereof; and,

FIG. 6 is a left side view thereof, the right side view being a mirror image.

**1 Claim, 6 Drawing Sheets**



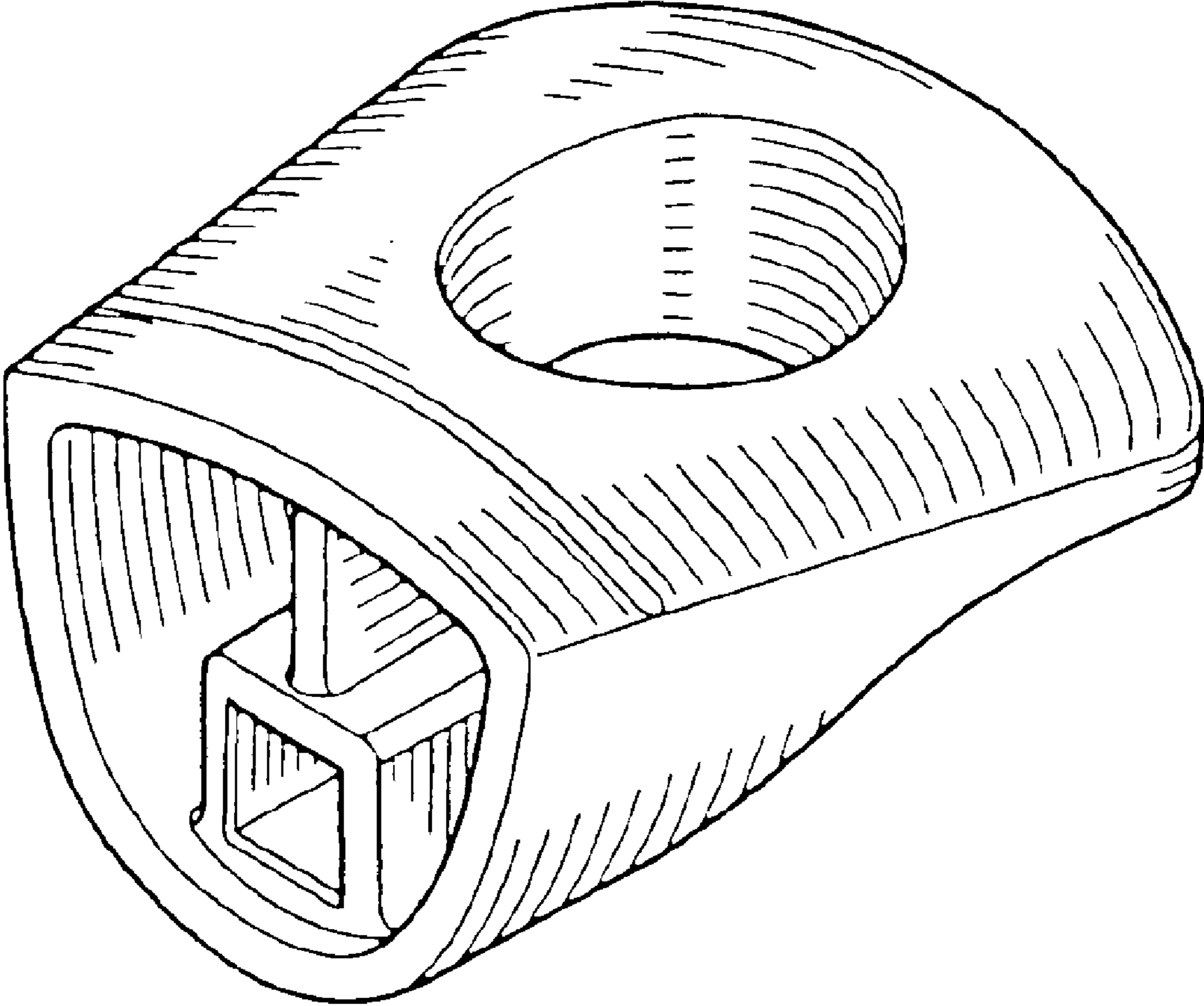


FIGURE . 1

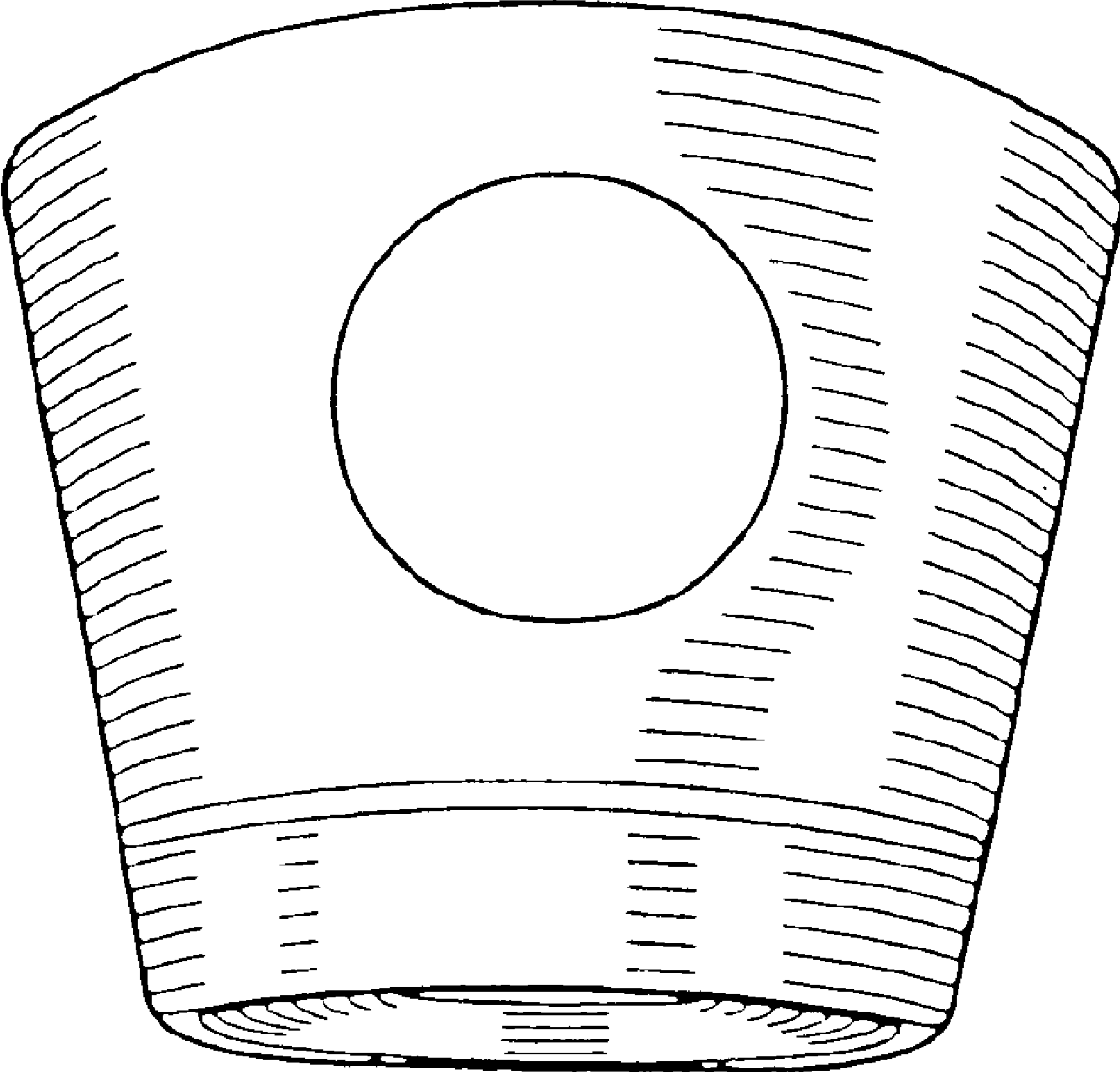


FIGURE 2

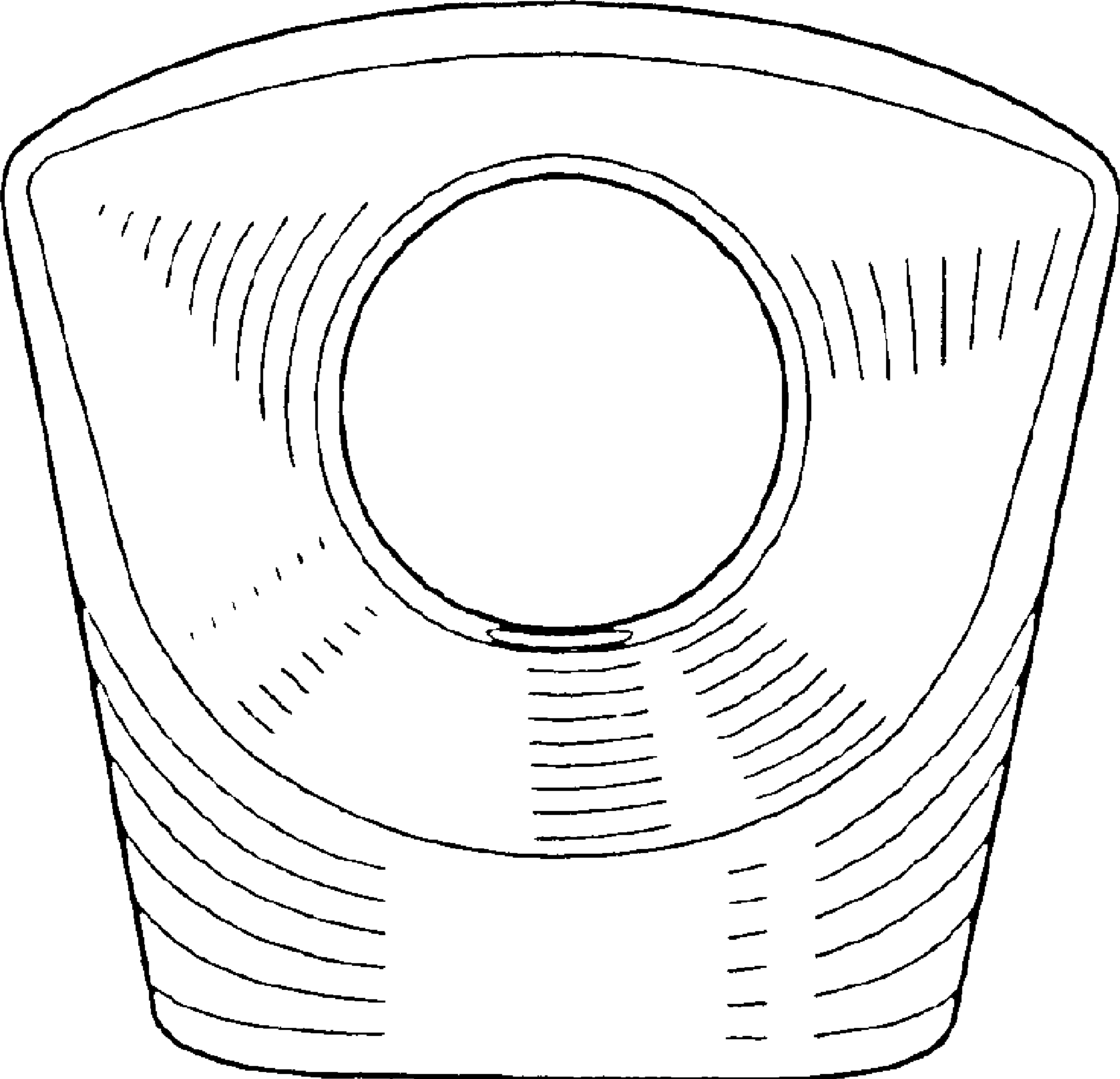


FIGURE 3

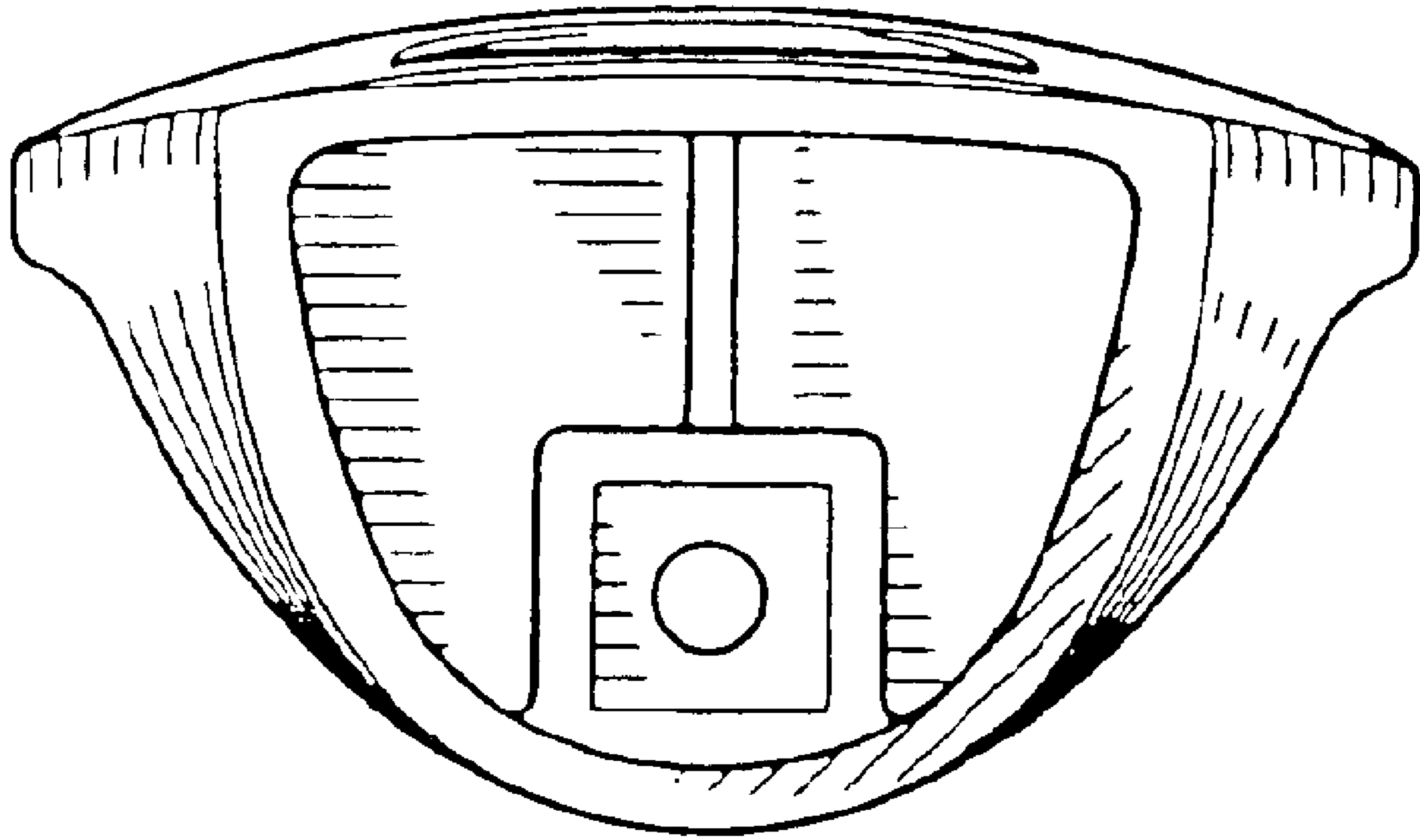


FIGURE 4

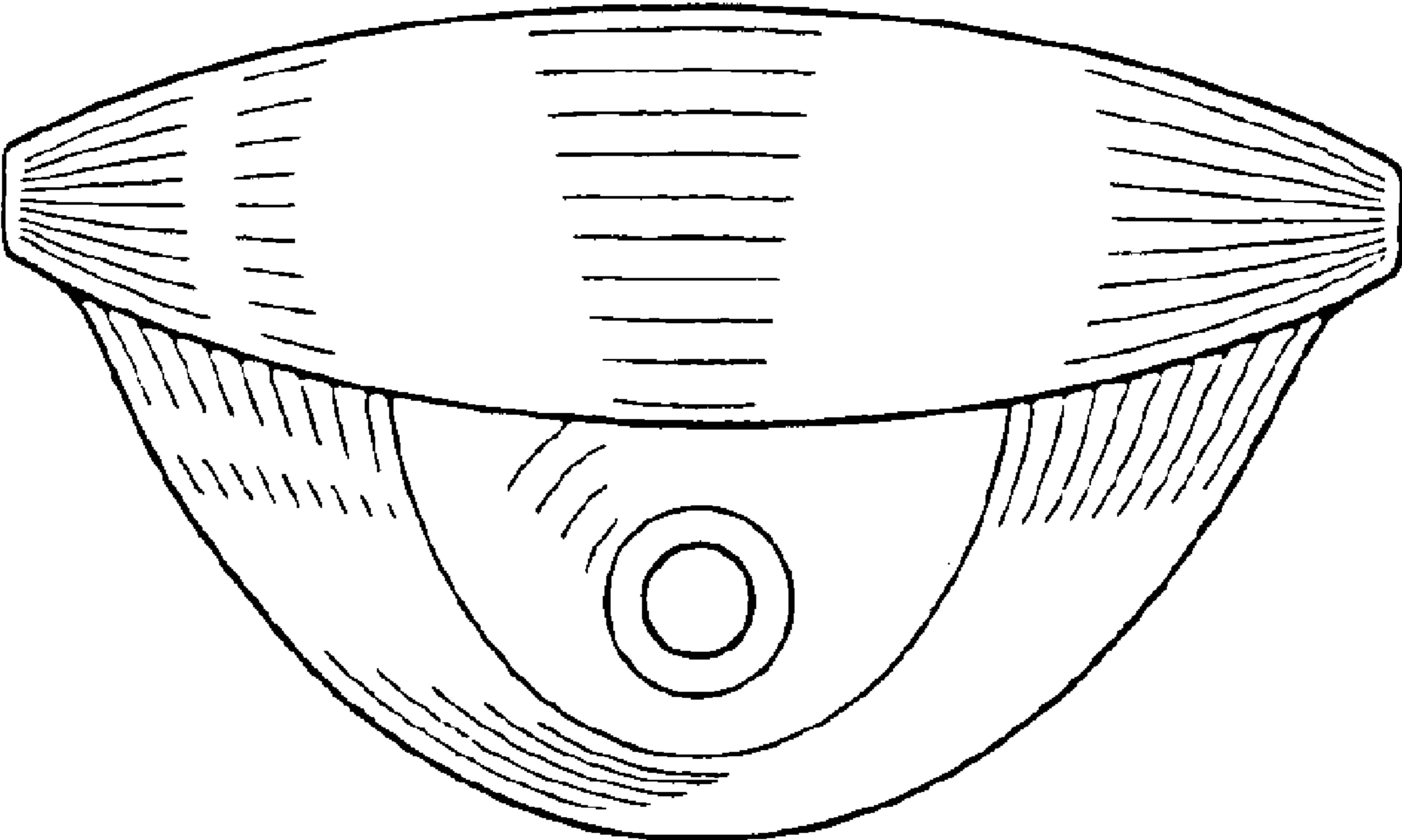


FIGURE 5

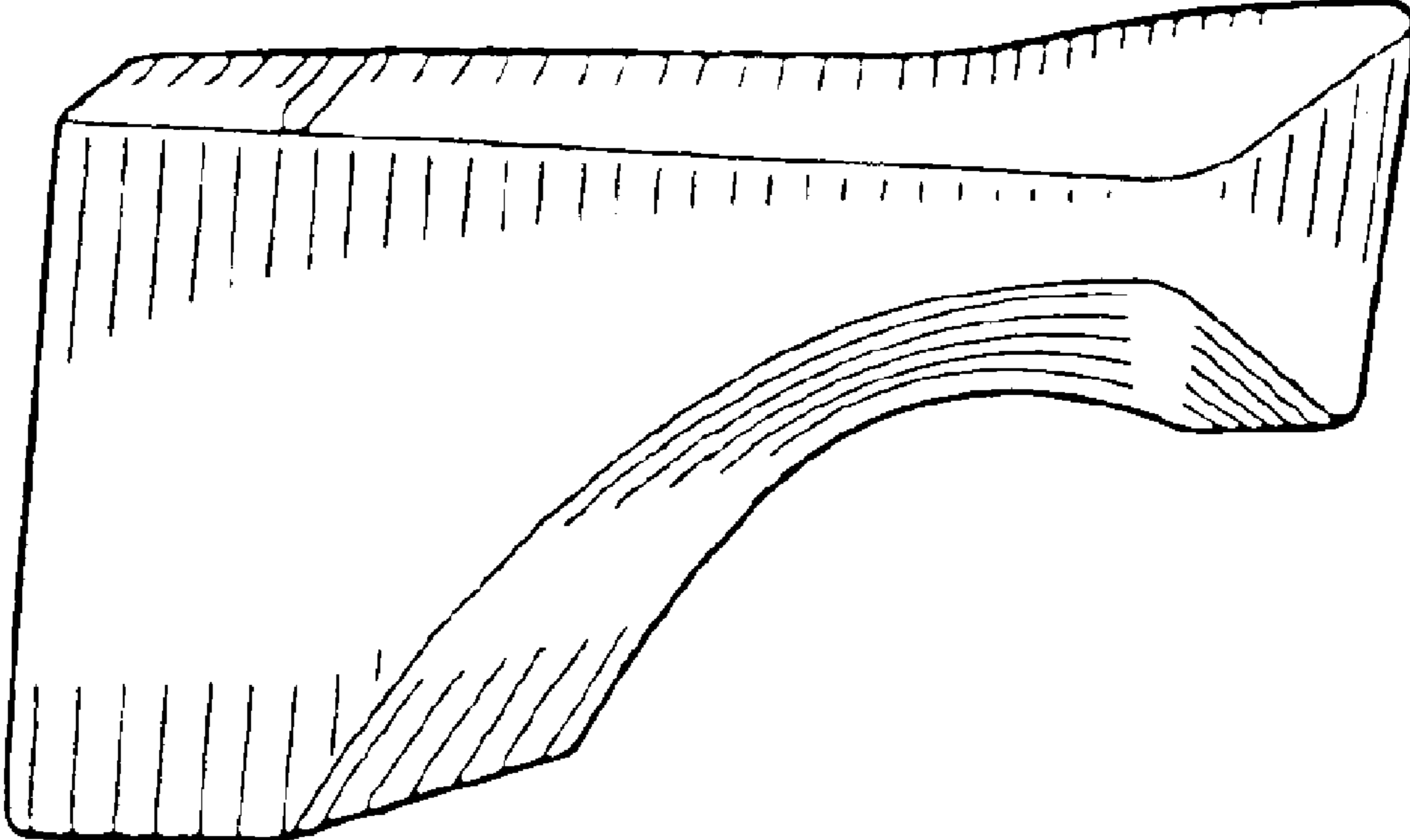


FIGURE 6