

US00D508368S

(12) **United States Design Patent**
Lion et al.

(10) **Patent No.:** **US D508,368 S**

(45) **Date of Patent:** **** Aug. 16, 2005**

(54) **POT HOLDER**

(75) Inventors: **Mathieu Lion**, Paris (FR); **Lucas Bignon**, Cachan (FR)

(73) Assignee: **Mastrad SA**, Paris (FR)

(**) Term: **14 Years**

(21) Appl. No.: **29/203,182**

(22) Filed: **Apr. 8, 2004**

(51) **LOC (8) Cl.** **07-99**

(52) **U.S. Cl.** **D7/388**

(58) **Field of Search** D7/624.1, 693,
D7/387, 388, 698, 359, 554.3; D8/1; D11/156;
D10/109; D34/2; D12/203, 185; D29/118,
119, 113, 124; D6/596, 601, 567, 583,
594, 613, 616, 582; 16/435, 481; 47/39;
D2/615-623; 2/160, 163, 20; 15/215; 426/243;
248/346.01, 300, 346.4, 346.11; D19/95

(56) **References Cited**

U.S. PATENT DOCUMENTS

2,375,129	A	*	5/1945	Norton	16/435
2,501,815	A	*	3/1950	Hamm	16/435
D158,838	S	*	6/1950	Caldwell	D6/583
D168,639	S	*	1/1953	Schwartz	D6/583
2,641,793	A	*	6/1953	Wilm	16/435

2,645,776	A	*	7/1953	Kiler	16/435
D182,477	S	*	4/1958	Mitchell	D19/95
D189,569	S	*	1/1961	Breneman	D7/388
D200,524	S	*	3/1965	Narens	D6/583
D310,460	S	*	9/1990	Vergnano	D6/583
D418,721	S	*	1/2000	Goodman et al.	D7/624.1
D462,243	S	*	9/2002	de Groote	D7/693
6,684,460	B2	*	2/2004	Cuff	16/435

* cited by examiner

Primary Examiner—M. N. Pandozzi

(74) *Attorney, Agent, or Firm*—Cowan, Liebowitz & Latman; Mark Montague

(57) **CLAIM**

An ornamental design for an pot holder, as shown and described.

DESCRIPTION

FIG. 1 is a perspective view of the pot holder of the present invention;

FIG. 2 is a top plan view of the pot holder;

FIG. 3 is a bottom plan view of the pot holder;

FIG. 4 is a front elevational view of the pot holder;

FIG. 5 is a left side elevational view of the pot holder;

FIG. 6 is a right side elevational view of the pot holder; and,

FIG. 7 is a rear elevational view of the pot holder.

1 Claim, 2 Drawing Sheets

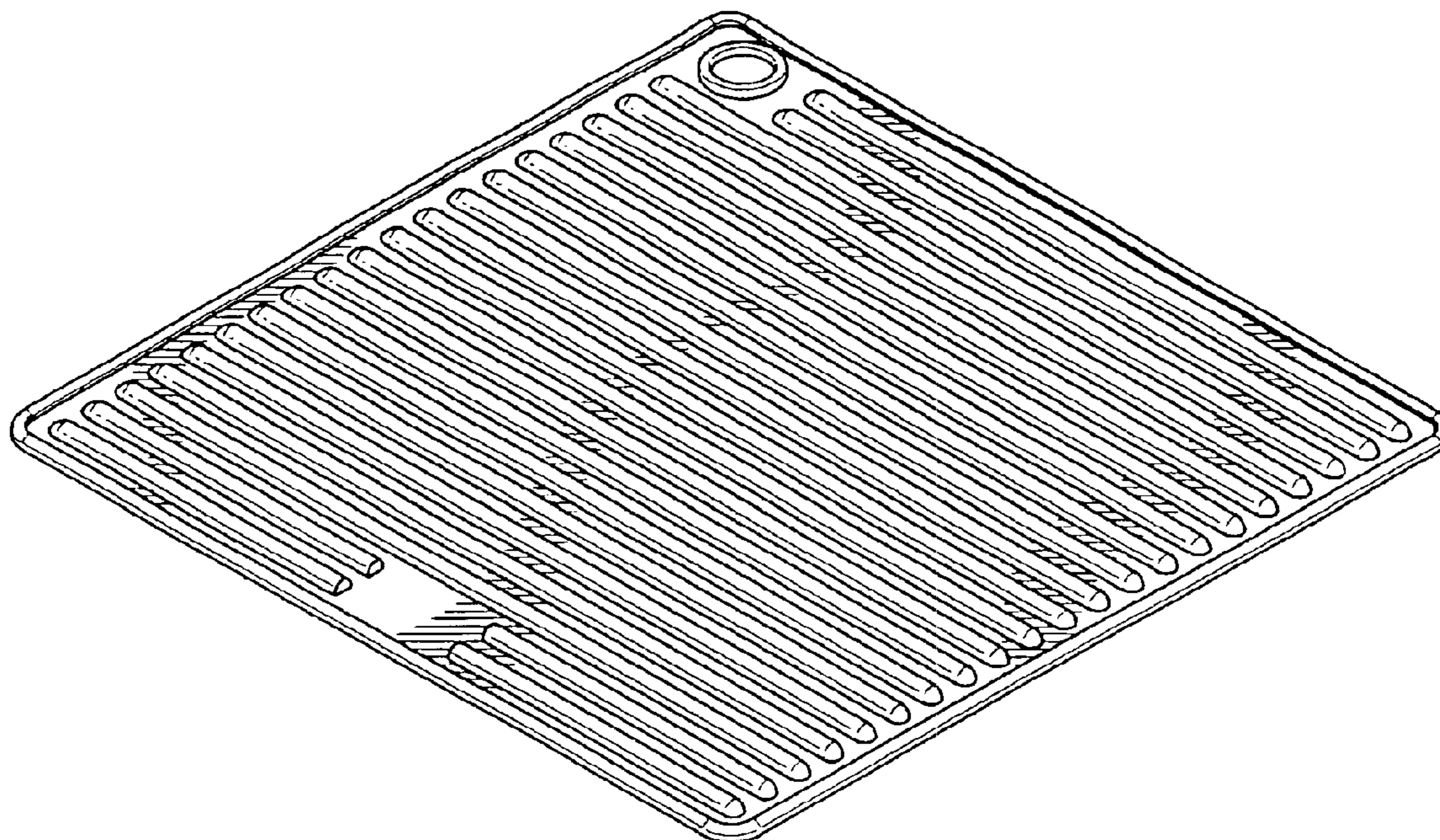


FIG.1

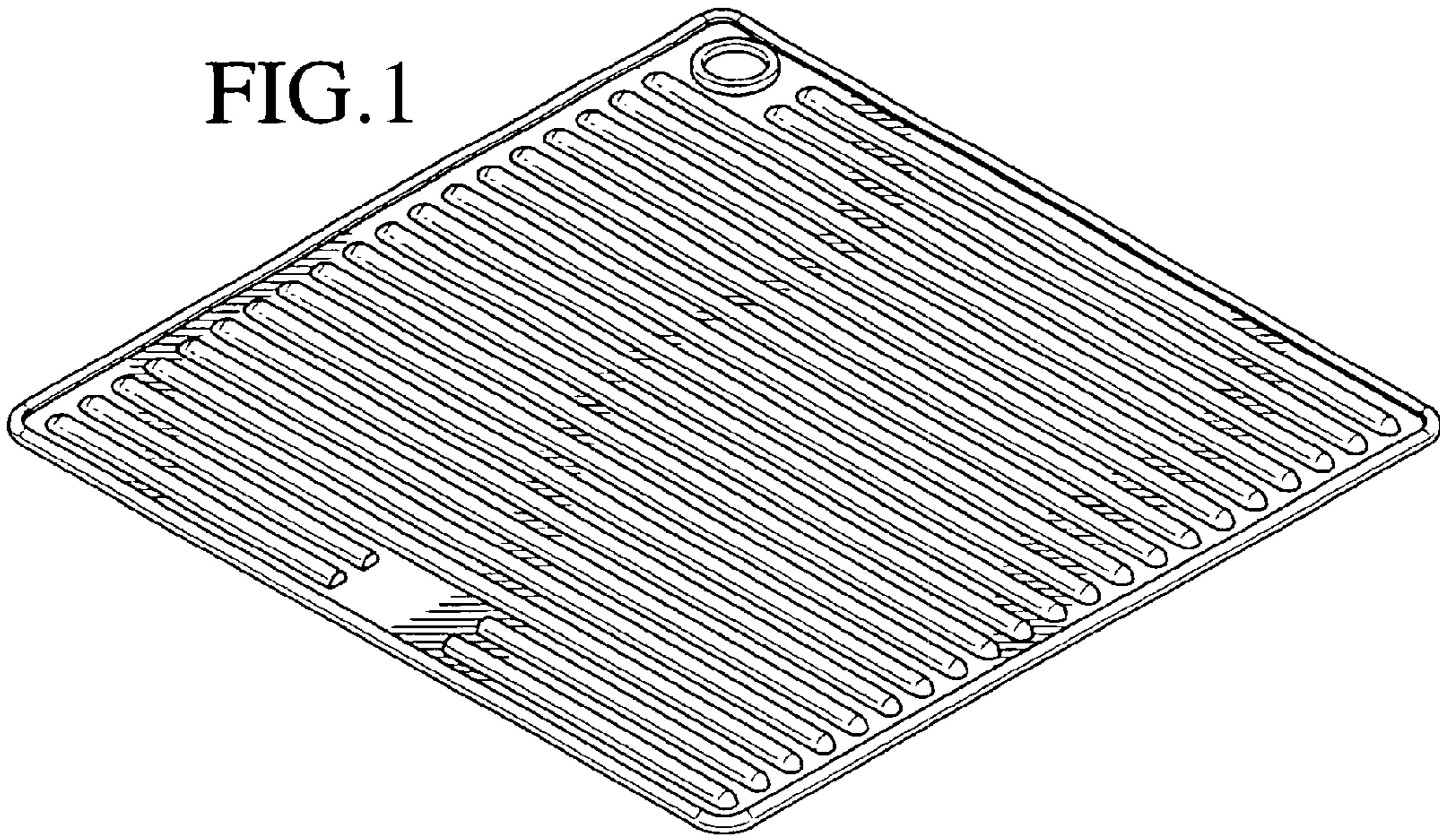


FIG.2

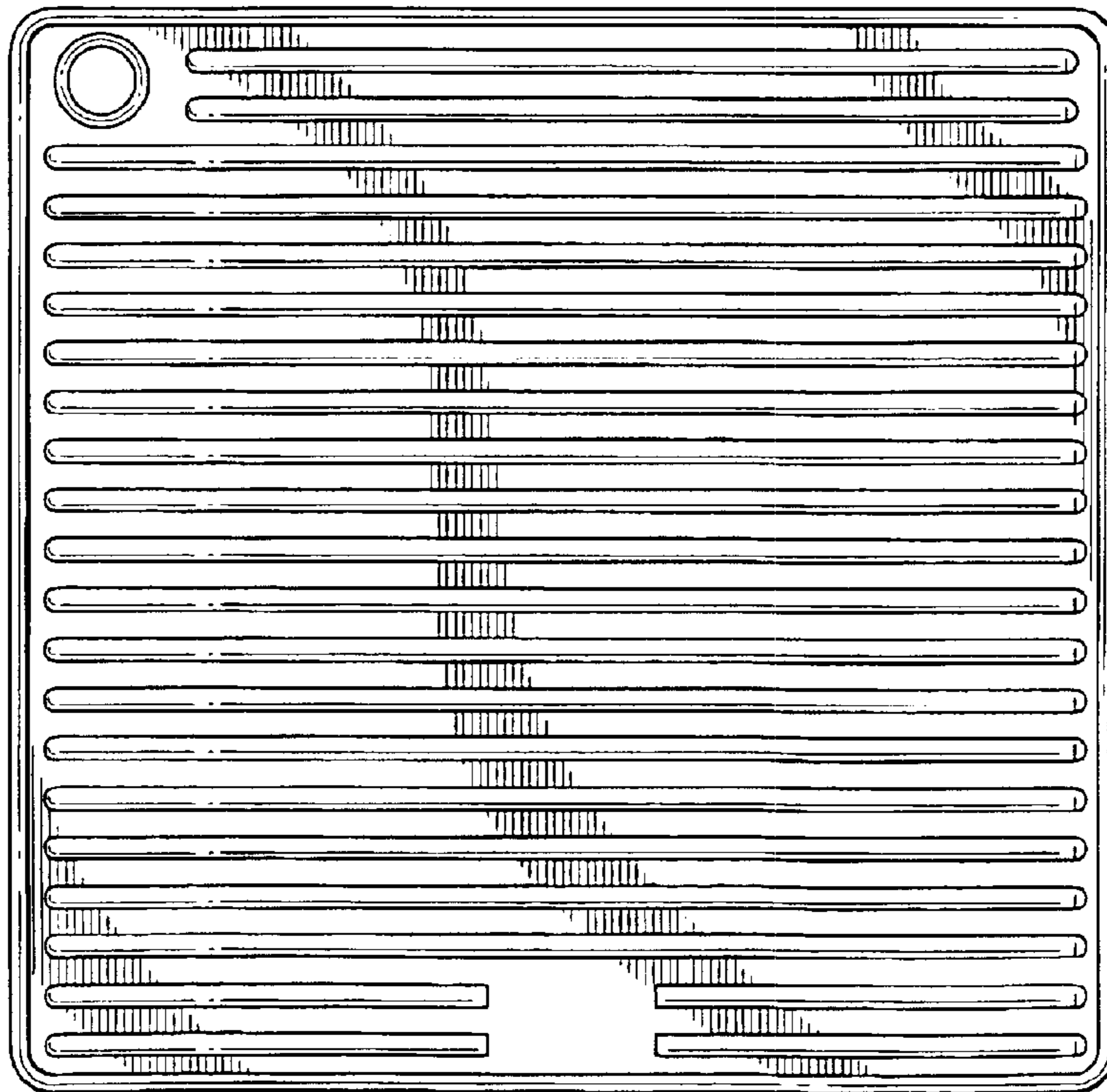


FIG.4

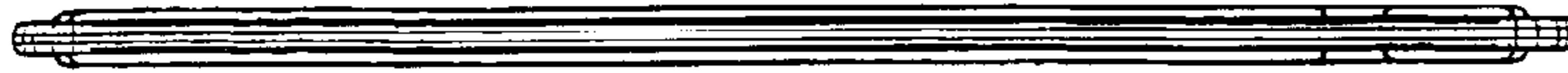


FIG.3

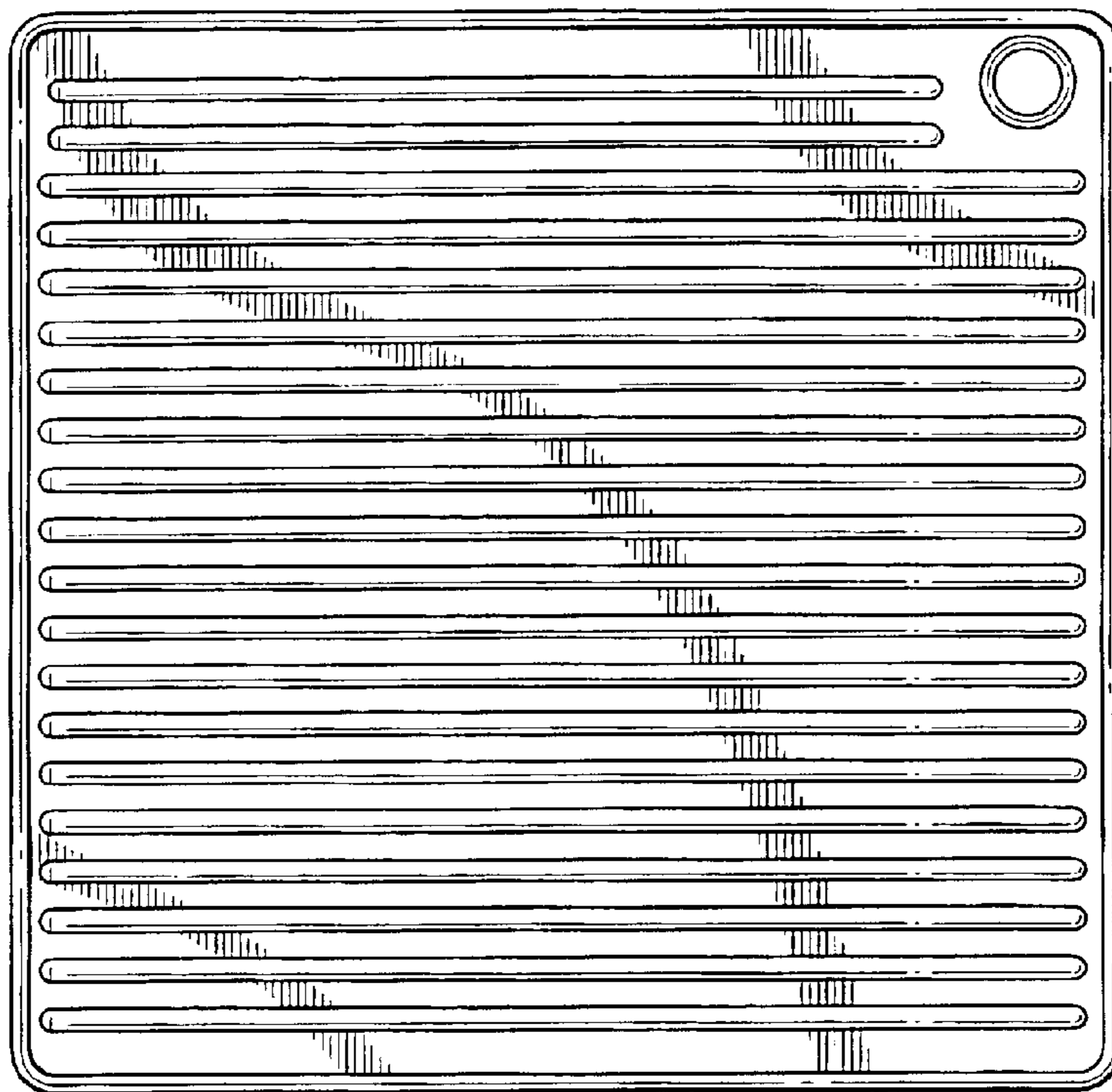


FIG.5



FIG.6

FIG.7

