

US00D508366S

(12) **United States Design Patent**  
**Wilsdorf**

(10) **Patent No.: US D508,366 S**

(45) **Date of Patent: \*\* Aug. 16, 2005**

(54) **ELECTRIC COOKTOP**

(75) Inventor: **Gerd Wilsdorf, Olching (DE)**

(73) Assignee: **BSH Bosch und Siemens Hausgerate GmbH, Munich (DE)**

(\*\*) Term: **14 Years**

(21) Appl. No.: **29/210,448**

(22) Filed: **Jul. 30, 2004**

(30) **Foreign Application Priority Data**

Feb. 2, 2004 (EM) ..... 000134564

(51) **LOC (8) Cl. .... 07-02**

(52) **U.S. Cl. .... D7/346**

(58) **Field of Search** ..... D7/346, 347, 402-409,  
D7/323, 339; 126/39 H, 211, 215-218,  
214 C, 214 R, 152 R; 219/506, 460.1, 478-480,  
443-446

(56) **References Cited**

**U.S. PATENT DOCUMENTS**

D267,770 S \* 2/1983 Fischer ..... D7/346  
D277,448 S \* 2/1985 Vetter et al. .... D7/346

D277,449 S \* 2/1985 Vetter et al. .... D7/346  
D312,748 S \* 12/1990 Jung et al. .... D7/407  
5,261,387 A \* 11/1993 Gressenich ..... 126/39 H  
D462,866 S \* 9/2002 Resuello et al. .... D7/346  
D469,304 S \* 1/2003 Becker et al. .... D7/407

\* cited by examiner

*Primary Examiner*—Catherine R. Oliver

(74) *Attorney, Agent, or Firm*—John T. Winburn; Russell W. Warnock; Craig J. Loest

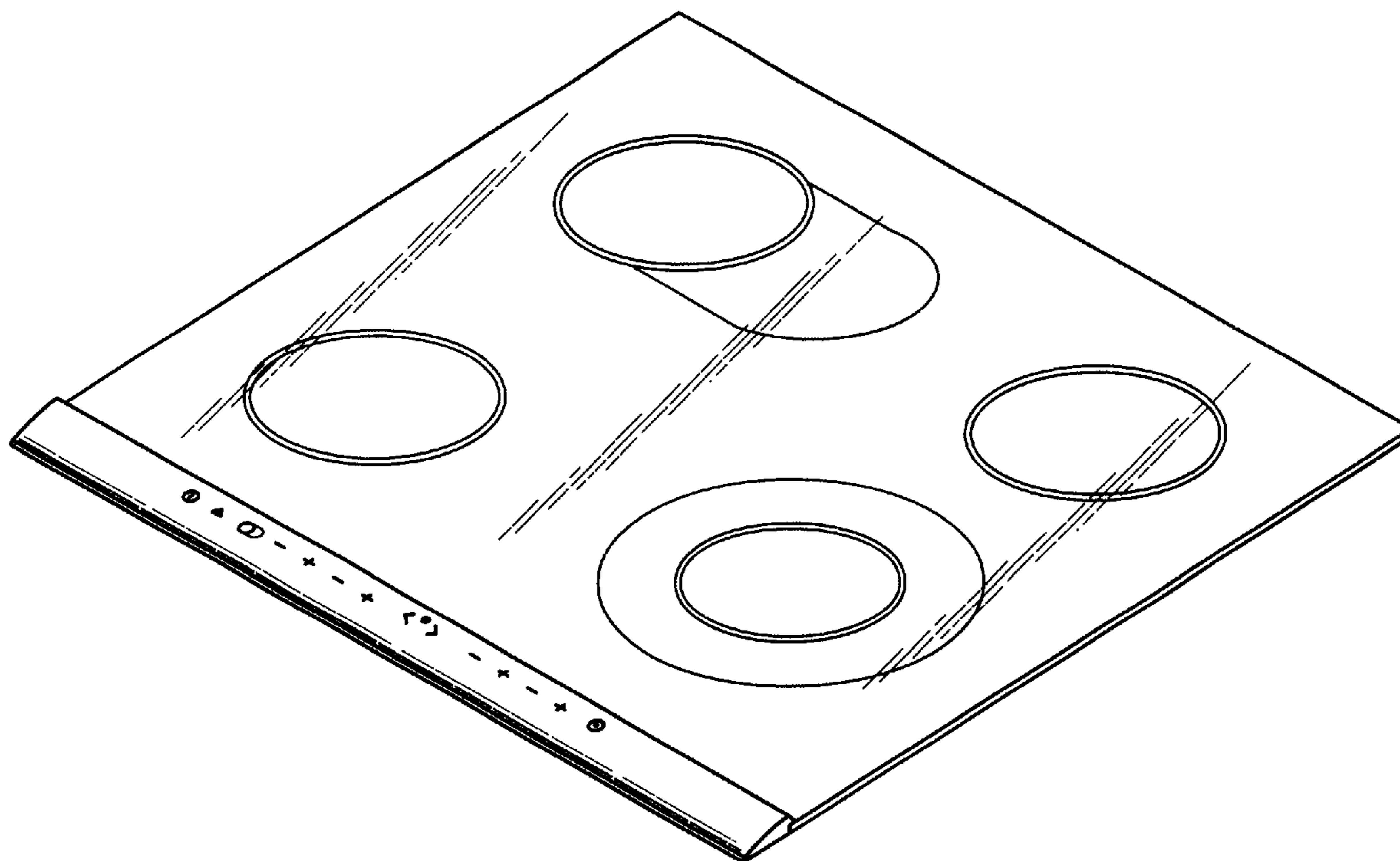
(57) **CLAIM**

The ornamental design for an electric cooktop, as shown and described.

**DESCRIPTION**

FIG. 1 is a perspective view of an electric cooktop appliance showing my ornamental design;  
FIG. 2 is a top plan view of the electric cooktop shown in FIG. 1;  
FIG. 3 is a right side view of the electric cooktop shown in FIG. 1; and,  
FIG. 4 is a left side view of the electric cooktop appliance shown in FIG. 1.

**1 Claim, 2 Drawing Sheets**



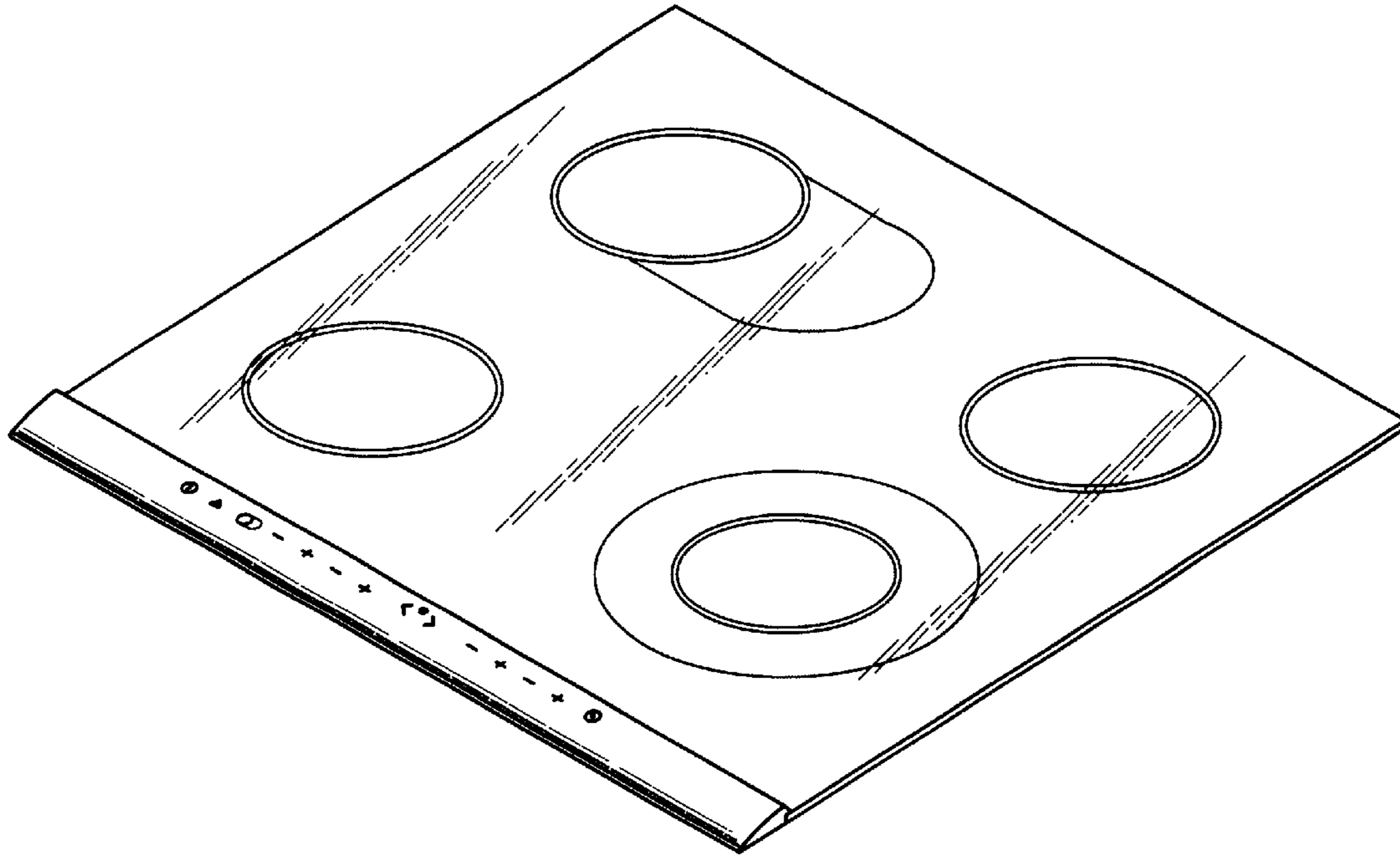


FIG. 1

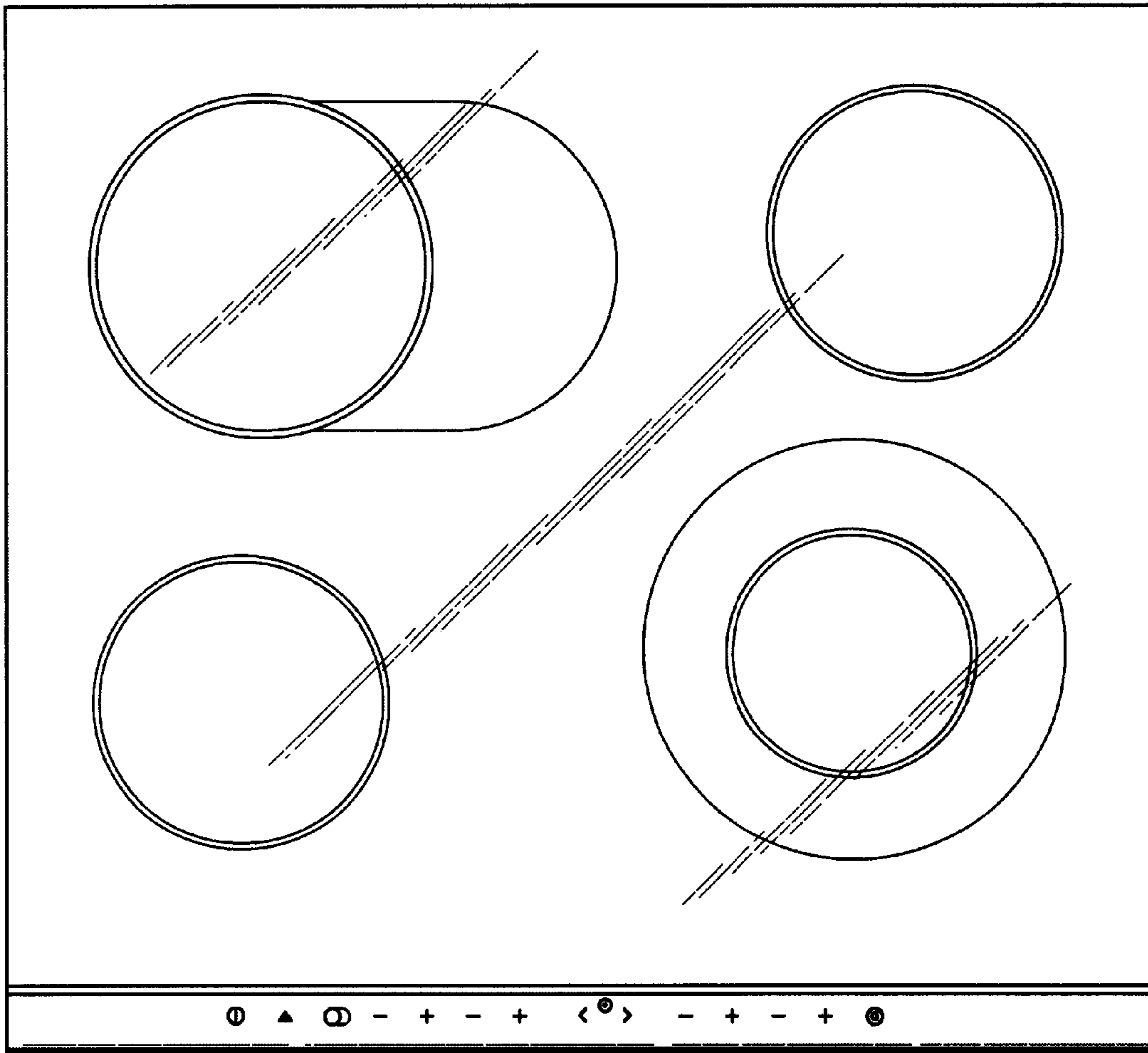


FIG. 2



FIG. 3



FIG. 4