

US00D508363S

(12) **United States Design Patent**  
**Chung**

(10) **Patent No.: US D508,363 S**

(45) **Date of Patent: \*\* \*Aug. 16, 2005**

(54) **BARBECUE GRILL**

(76) Inventor: **Kiosky Chung**, 8F-1, No. 497,  
Jhongming S. Rd., West District,  
Taichung City 403 (TW)

(\* ) Notice: This patent is subject to a terminal disclaimer.

(\*\* ) Term: **14 Years**

(21) Appl. No.: **29/192,407**

(22) Filed: **Oct. 24, 2003**

(51) **LOC (8) Cl.** ..... **07-02**

(52) **U.S. Cl.** ..... **D7/334**

(58) **Field of Search** ..... D7/332-337, 402-405,  
D7/350.1, 350.4; 126/25 R, 41 R, 37 R,  
38, 50, 9 R, 9 B; D21/540; D29/106; D22/104

(56) **References Cited**

**U.S. PATENT DOCUMENTS**

- D461,359 S \* 8/2002 Coleman et al. .... D7/334
- D462,564 S \* 9/2002 Brake et al. .... D7/334
- D465,123 S \* 11/2002 Coleman et al. .... D7/334

- D466,756 S \* 12/2002 Bossler et al. .... D7/334
- D468,954 S \* 1/2003 Pai ..... D7/334
- D471,057 S \* 3/2003 Chung ..... D7/334
- D479,430 S \* 9/2003 Chung ..... D7/334
- D483,983 S \* 12/2003 Harrod et al. .... D7/334

\* cited by examiner

*Primary Examiner*—Ruth McInroy

(74) *Attorney, Agent, or Firm*—Charles E. Baxley

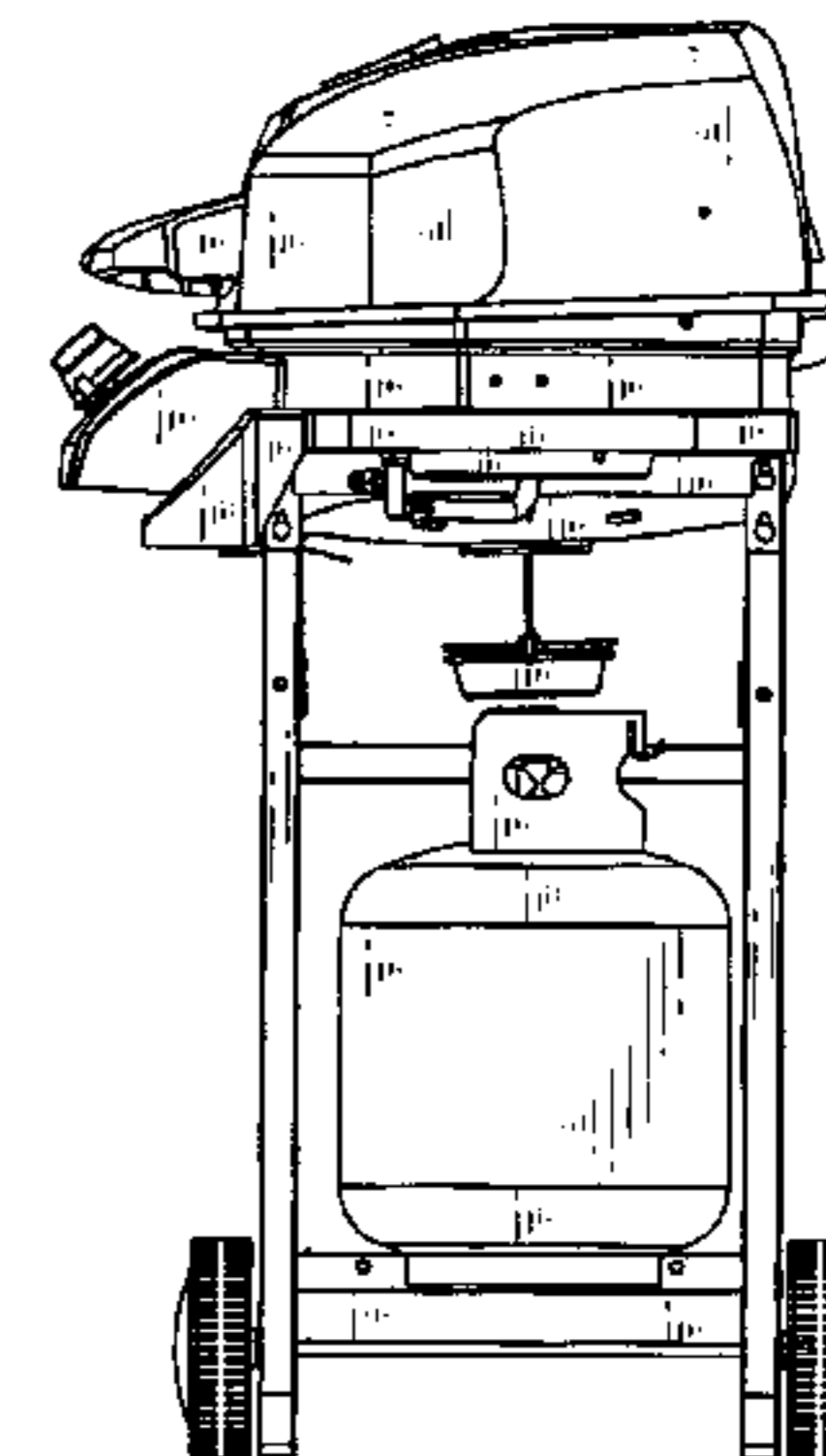
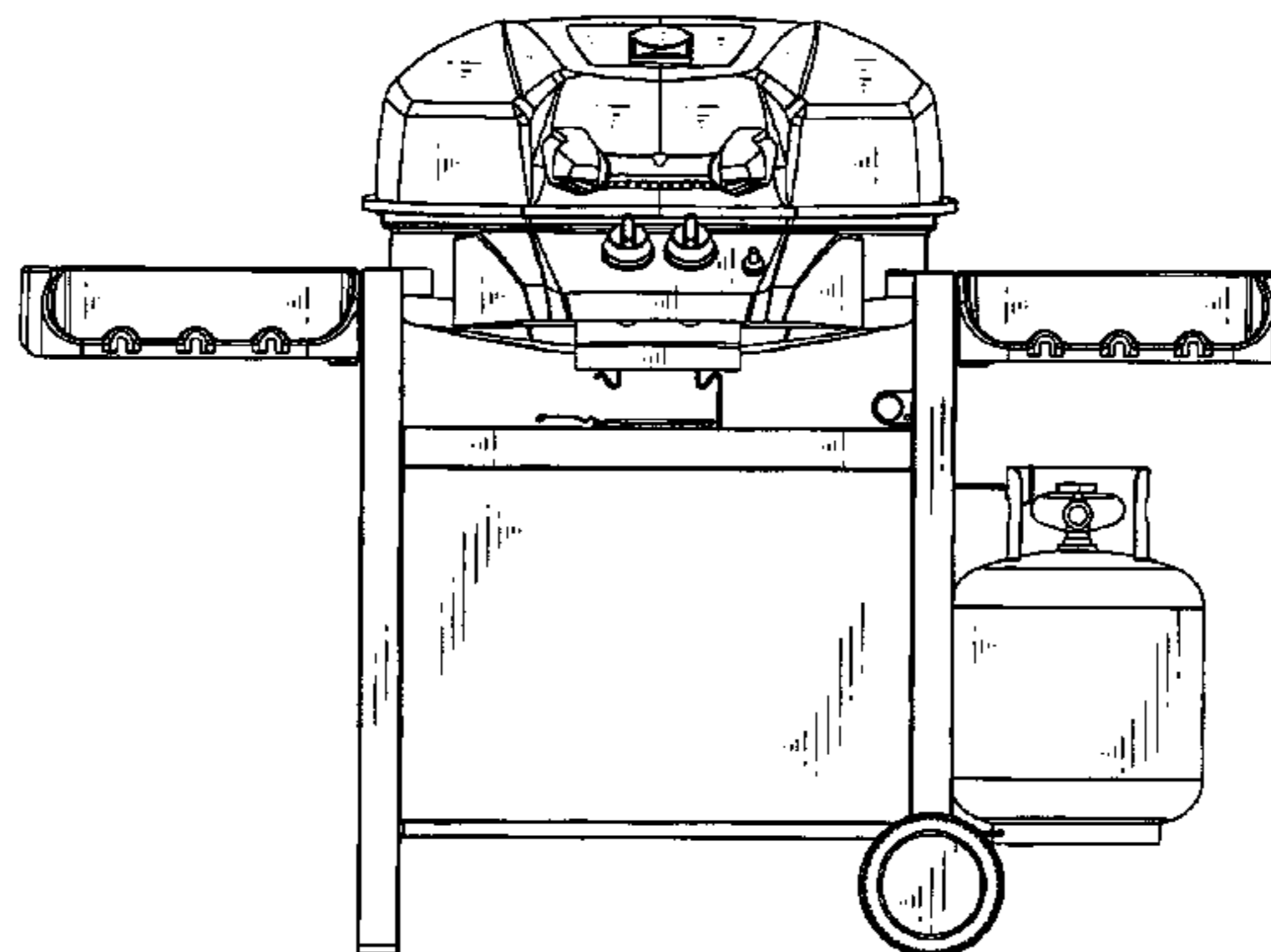
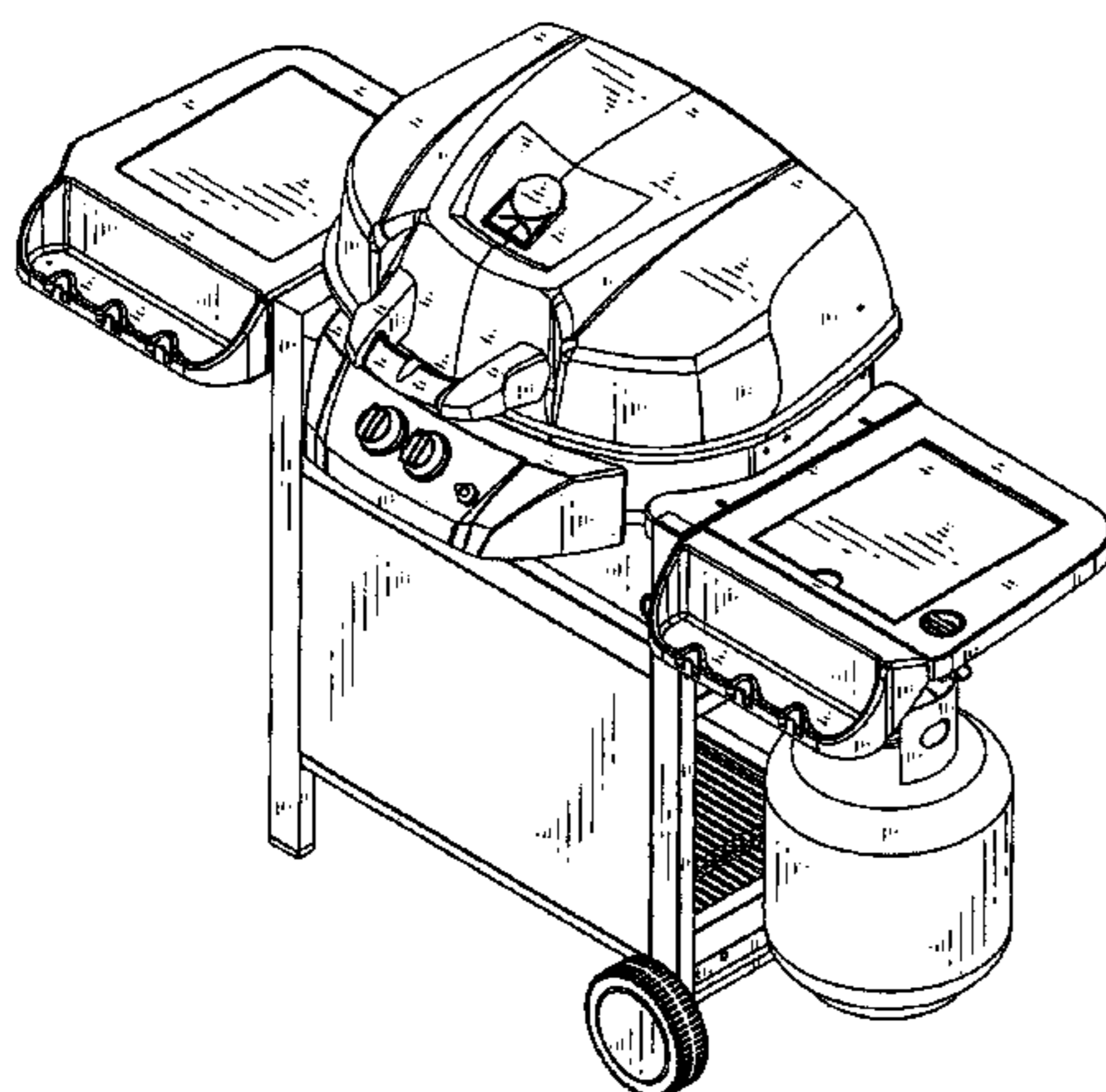
(57) **CLAIM**

The ornamental design for a barbecue grill, as shown and described.

**DESCRIPTION**

FIG. 1 is a perspective view of a barbecue grill showing my new design;  
 FIG. 2 is a front elevational view thereof;  
 FIG. 3 is a rear elevational view thereof;  
 FIG. 4 is a left side elevational view thereof;  
 FIG. 5 is a right side elevational view thereof;  
 FIG. 6 is a top plan view thereof; and,  
 FIG. 7 is a bottom plan view thereof.

**1 Claim, 7 Drawing Sheets**



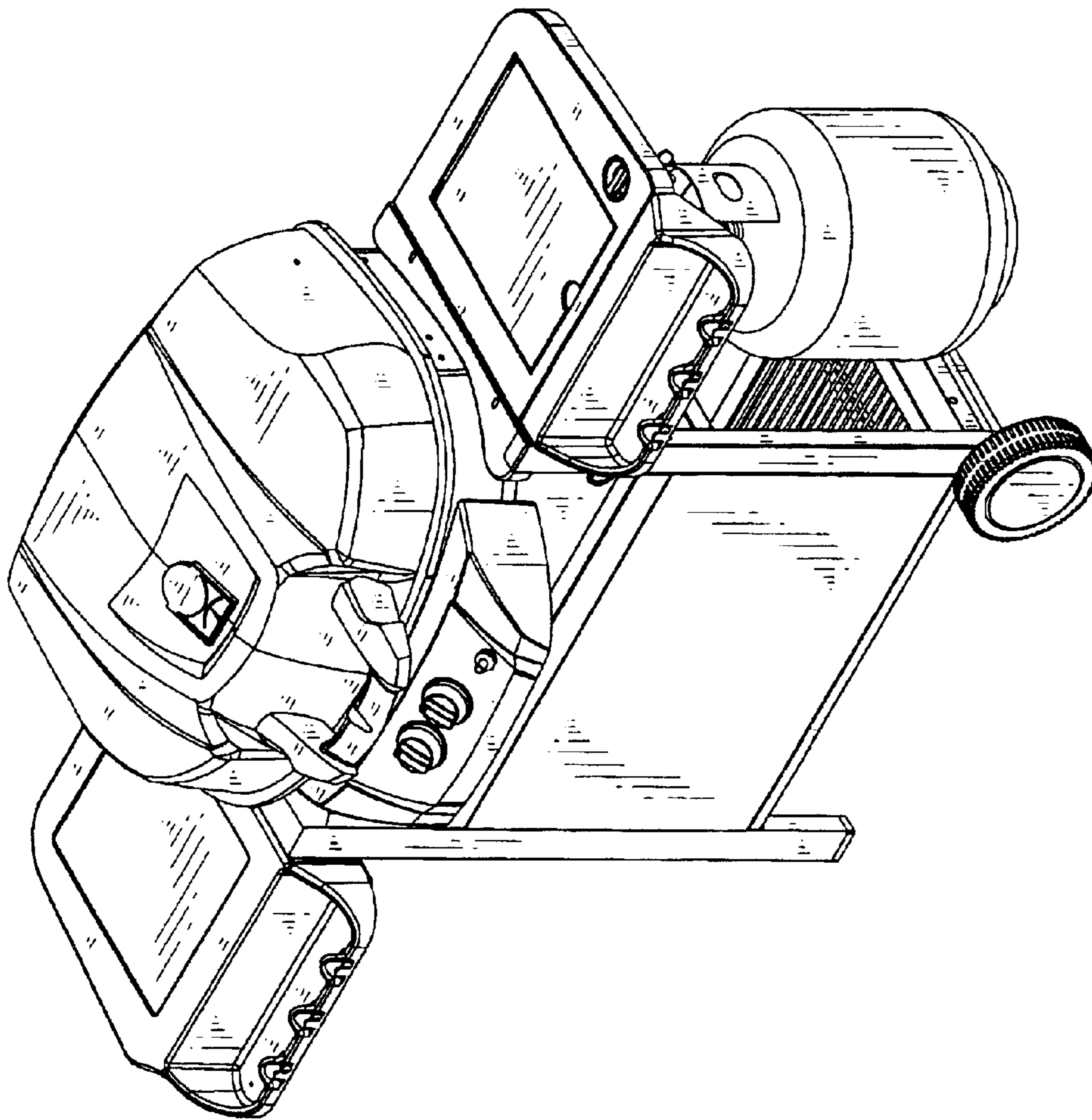


FIG.1

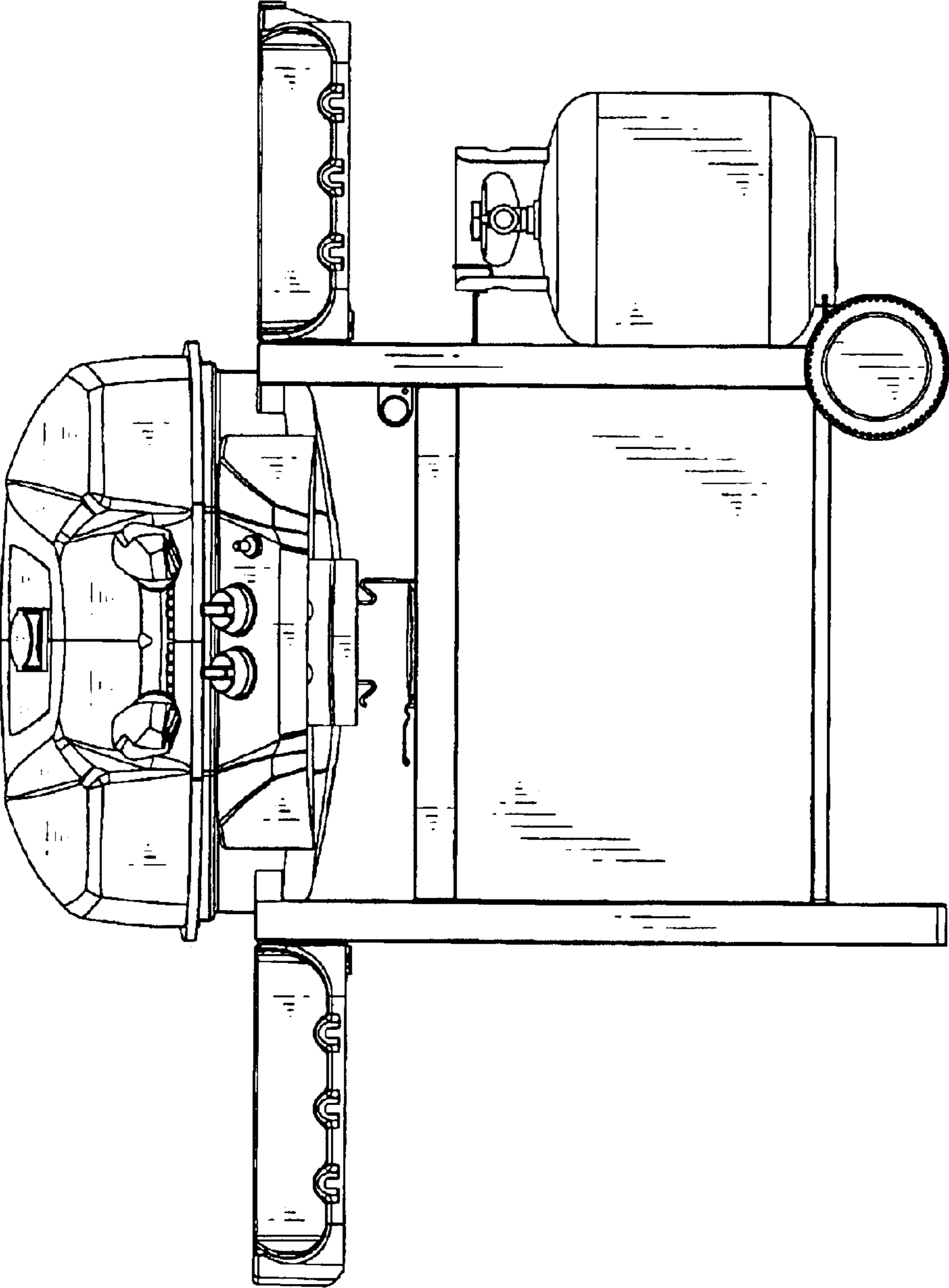


FIG.2

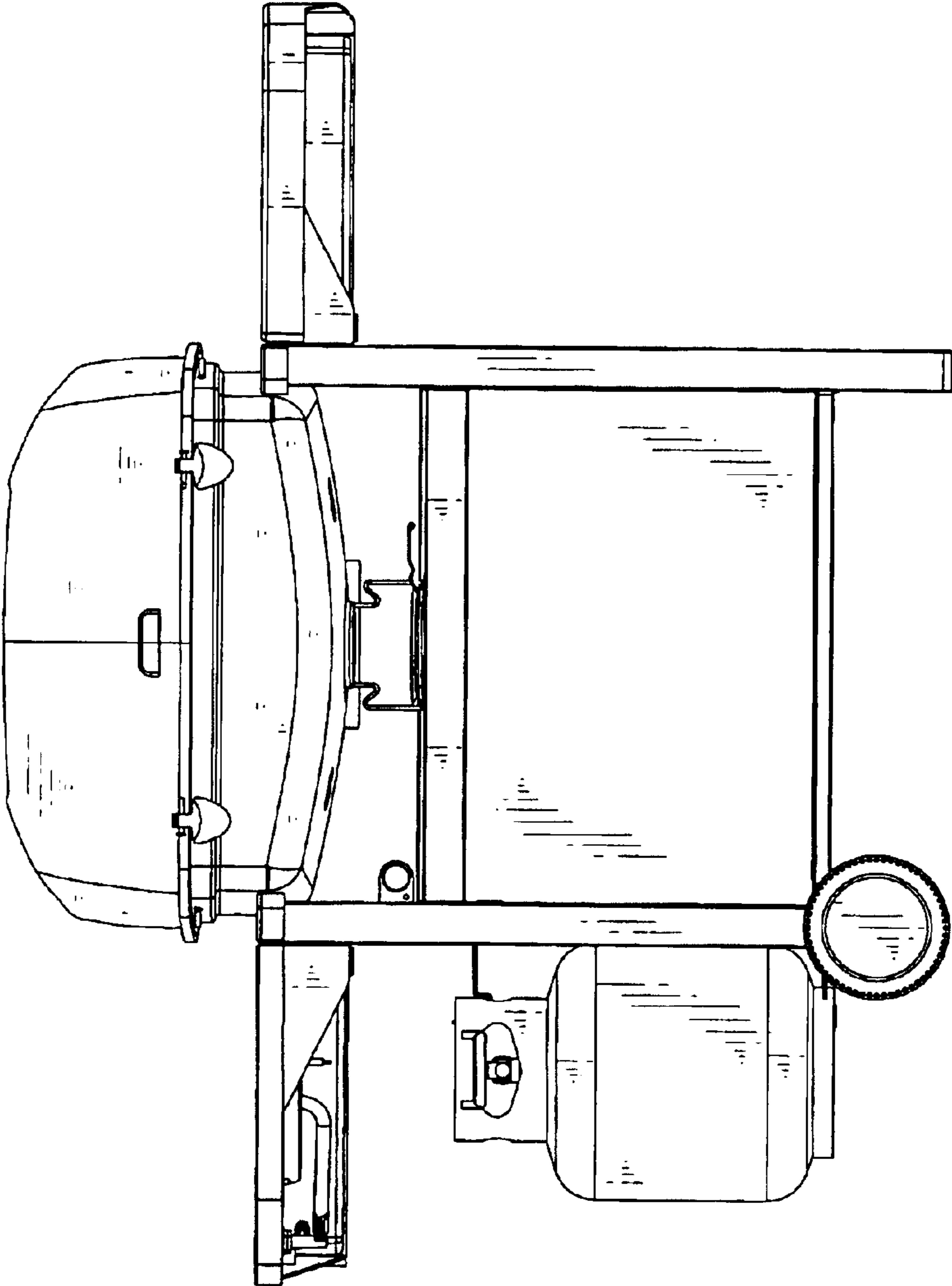


FIG.3

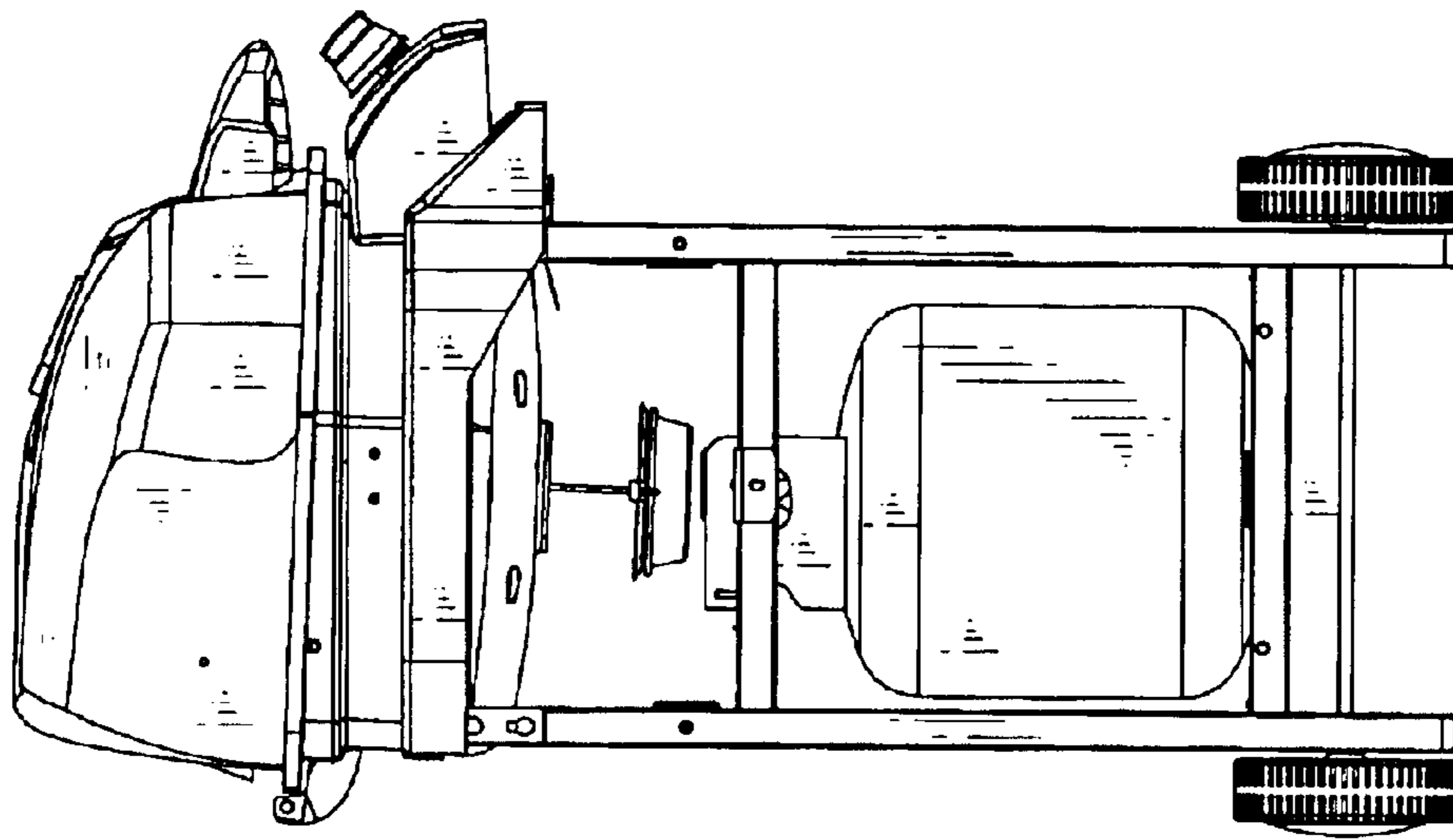


FIG.4

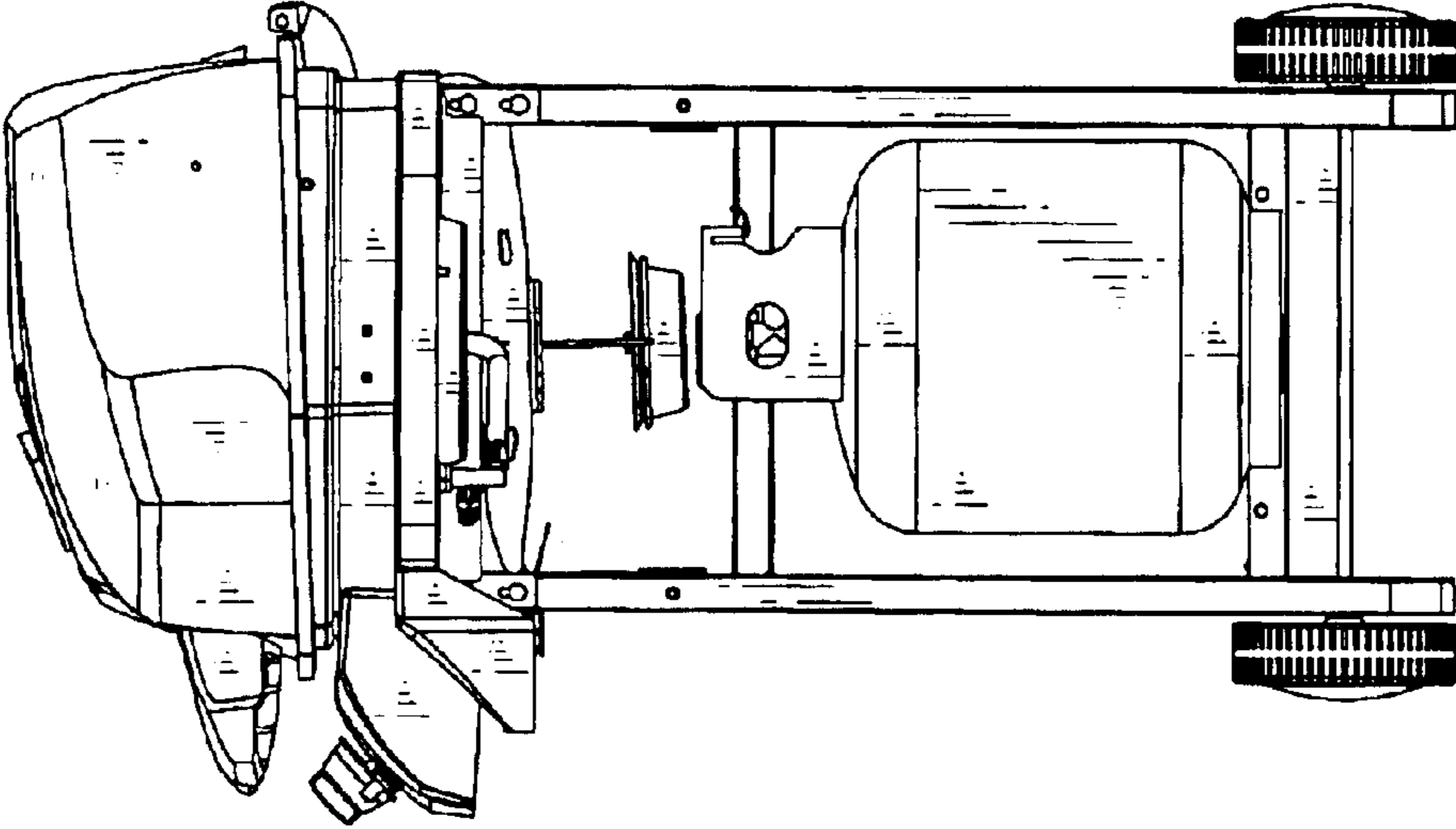


FIG.5



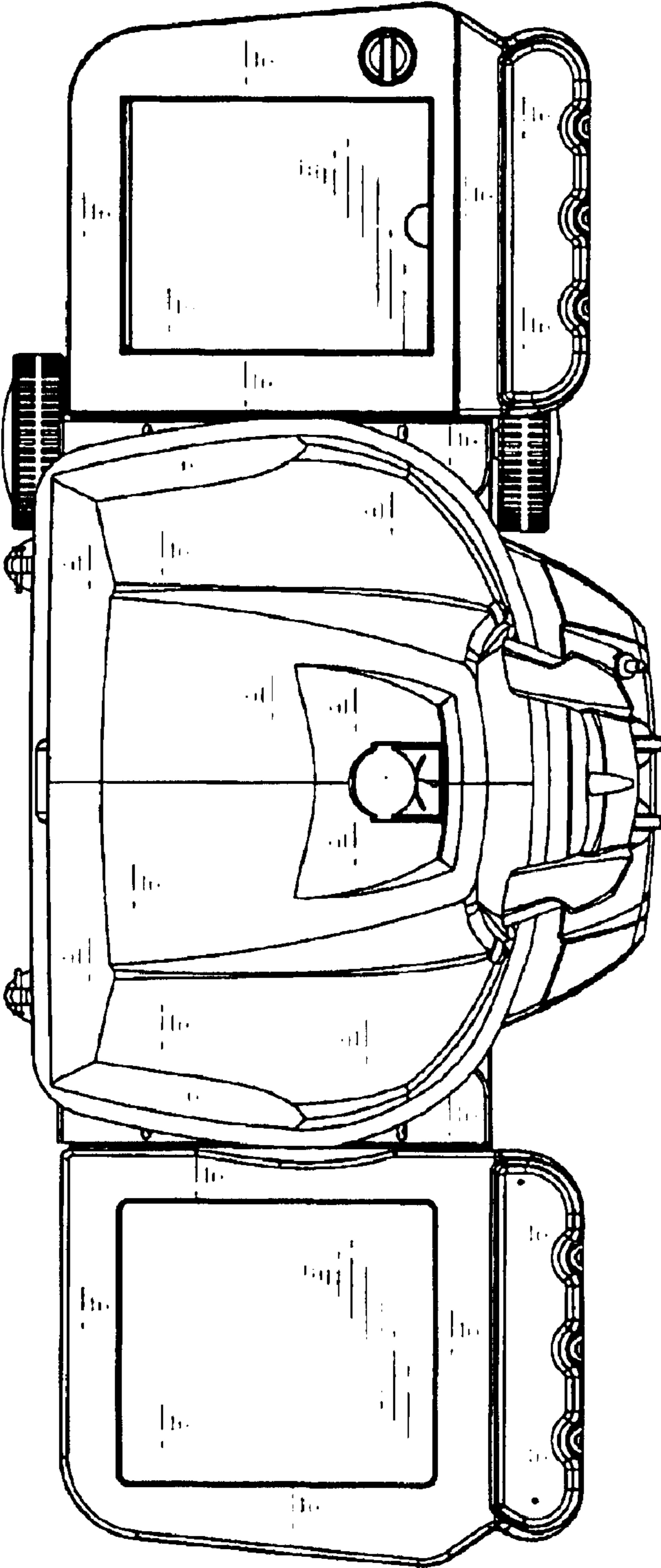


FIG.6

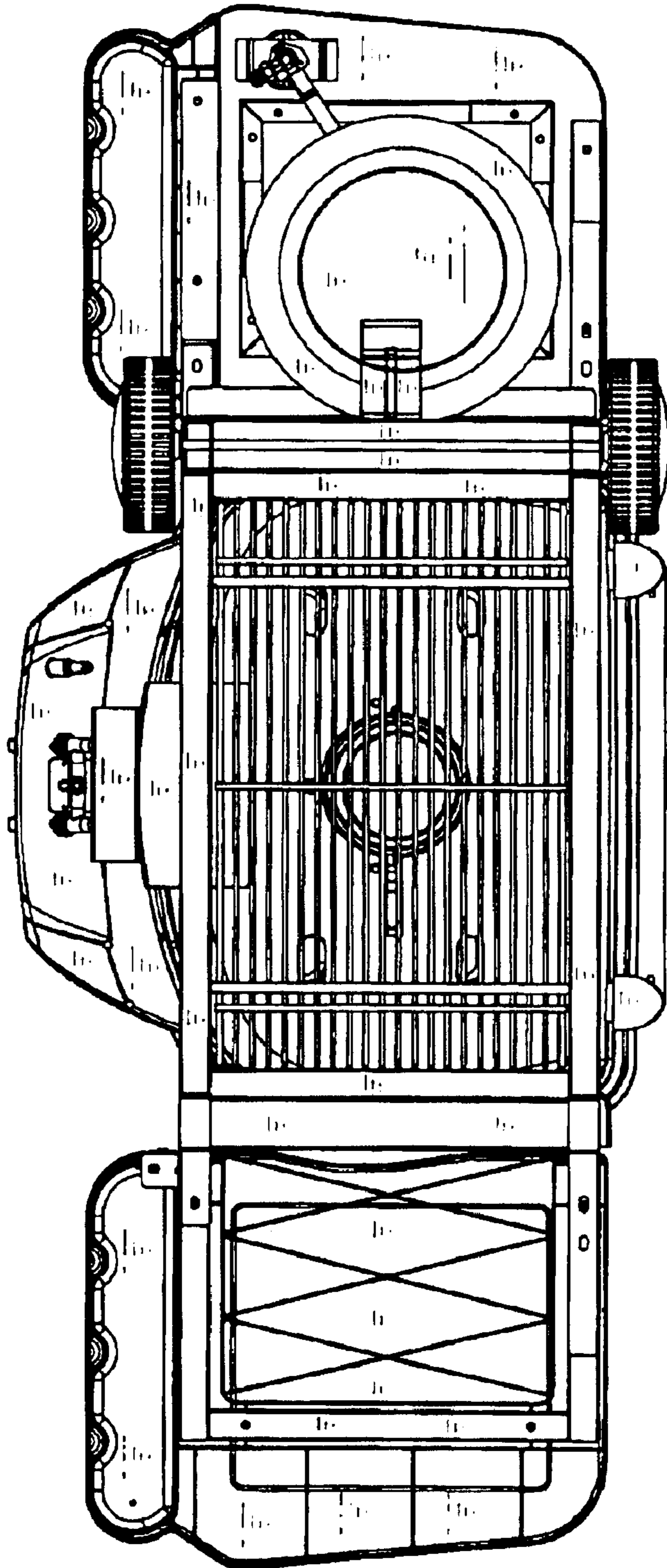


FIG. 7