

US00D508362S

(12) **United States Design Patent**
Town

(10) **Patent No.: US D508,362 S**

(45) **Date of Patent: ** Aug. 16, 2005**

(54) **DRINKING FOUNTAIN**

D478,241 S * 8/2003 Heilstedt et al. D7/304

(76) **Inventor: Michael Hayden Town, 5076 Hall Rd.,
Santa Rosa, CA (US) 95401**

* cited by examiner

Primary Examiner—M. N. Pandozzi

(74) *Attorney, Agent, or Firm*—Gary Hoenig

(**) **Term: 14 Years**

(57) **CLAIM**

(21) **Appl. No.: 29/188,320**

The ornamental design for a drinking fountain, as shown and described.

(22) **Filed: Aug. 14, 2003**

(51) **LOC (8) Cl. 07-01**

DESCRIPTION

(52) **U.S. Cl. D7/304**

FIG. 1 is a perspective view of a drinking fountain showing our new design.

(58) **Field of Search** D7/300, 304; D23/201;
239/28, 29.5; D30/123

FIG. 2 is a front elevation view thereof,

FIG. 3 is a top plan view thereof,

FIG. 4 is a rear elevation view thereof,

FIG. 5 is a side elevation view thereof; and,

FIG. 6 is a bottom plan view thereof.

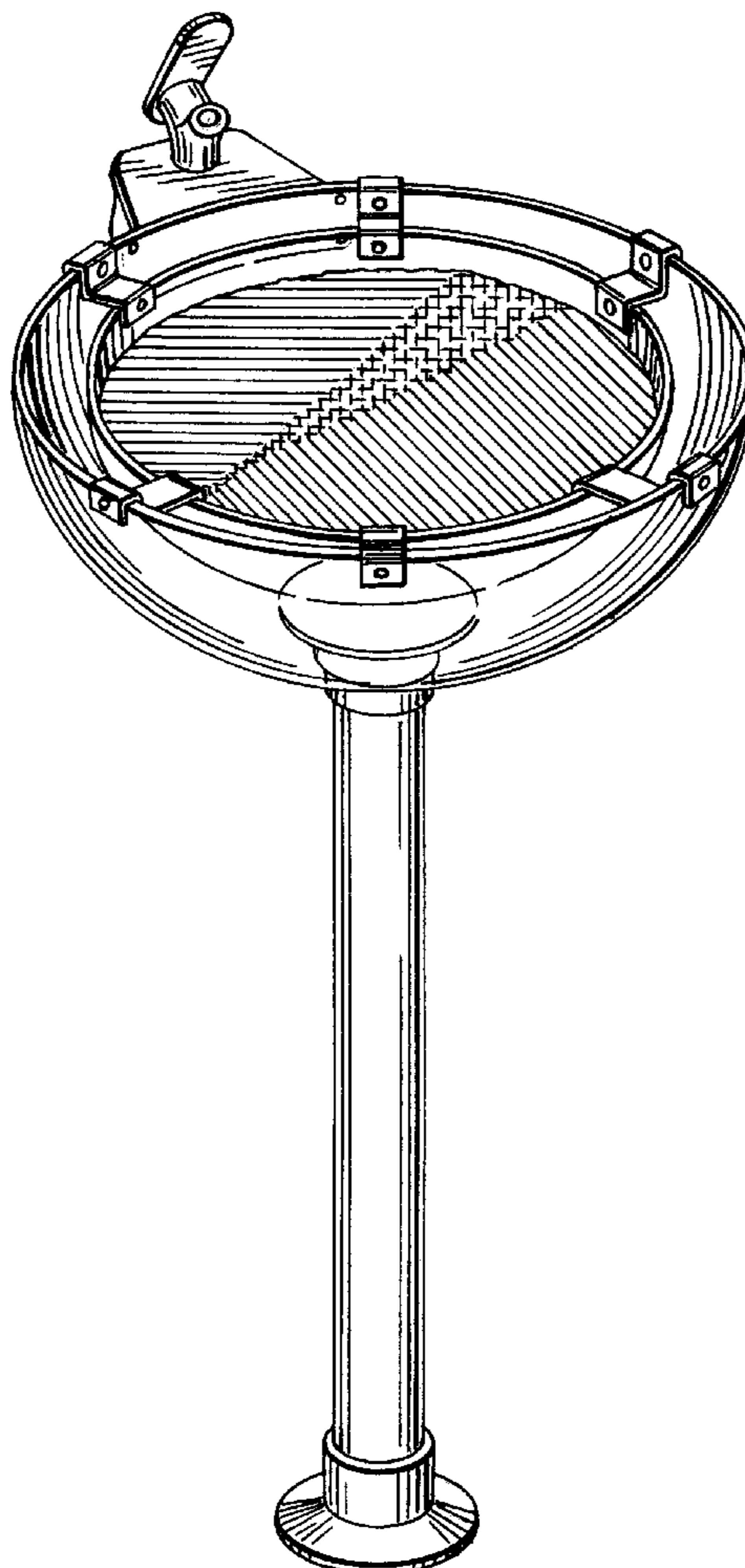
(56) **References Cited**

U.S. PATENT DOCUMENTS

The surfaces of the design are lined for colors blue, yellow and green.

1,632,842 A	*	6/1927	Liening	239/28
3,568,928 A	*	3/1971	Wright	239/28
D223,781 S	*	6/1972	Wright	239/28
D239,284 S	*	3/1976	Haws	D7/304
D252,207 S	*	6/1979	Haws et al.	D7/304

1 Claim, 2 Drawing Sheets



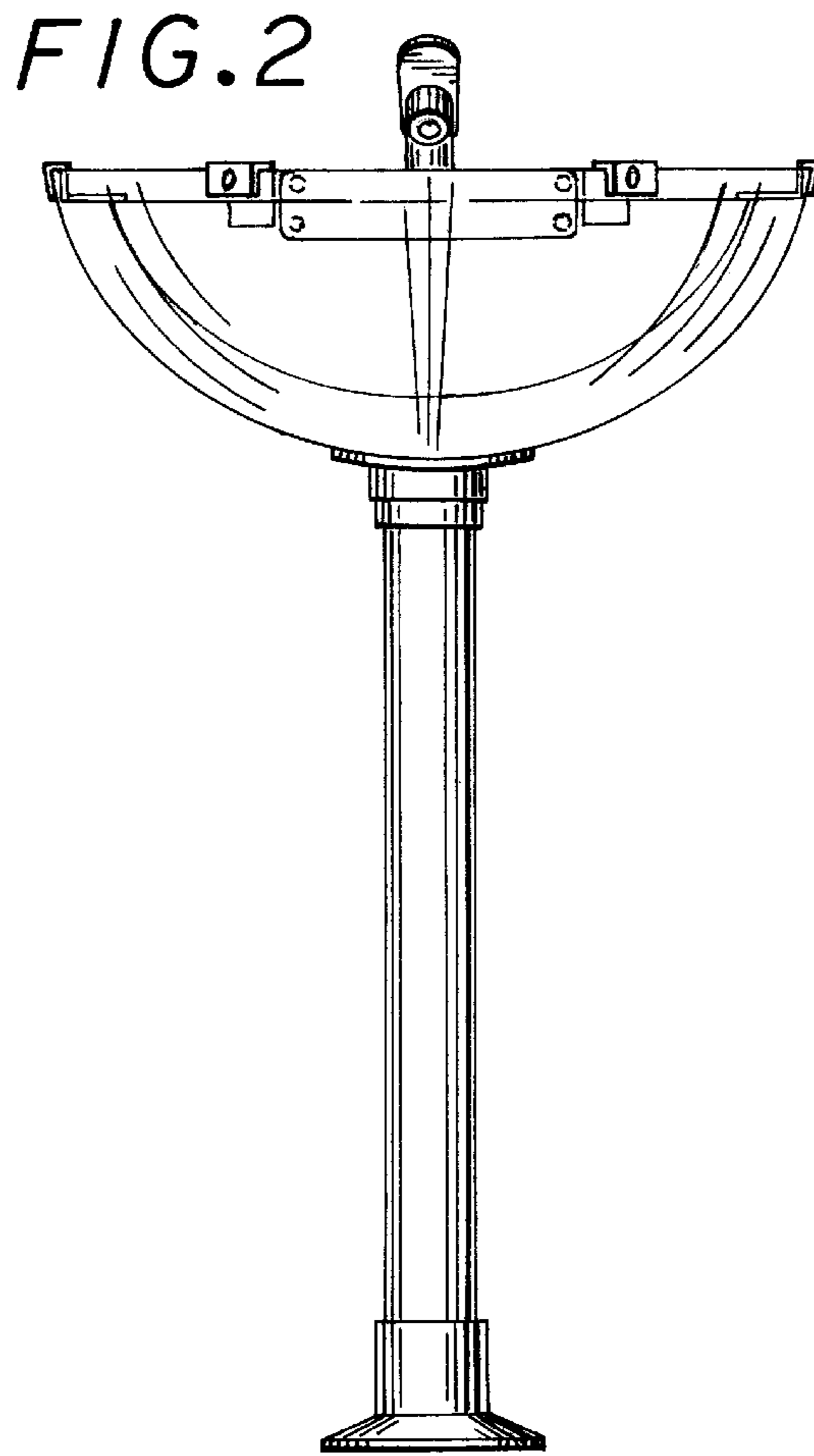
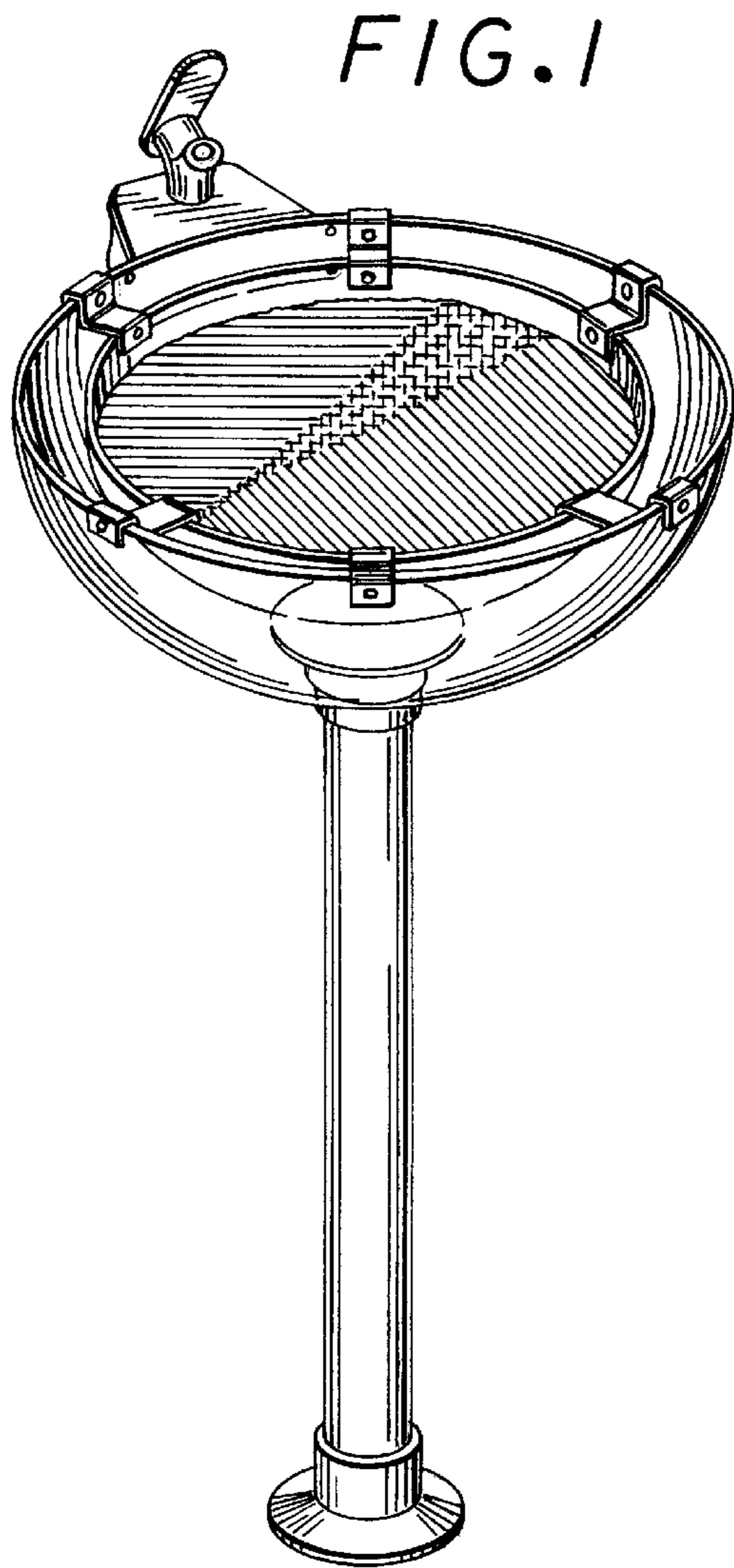


FIG. 3

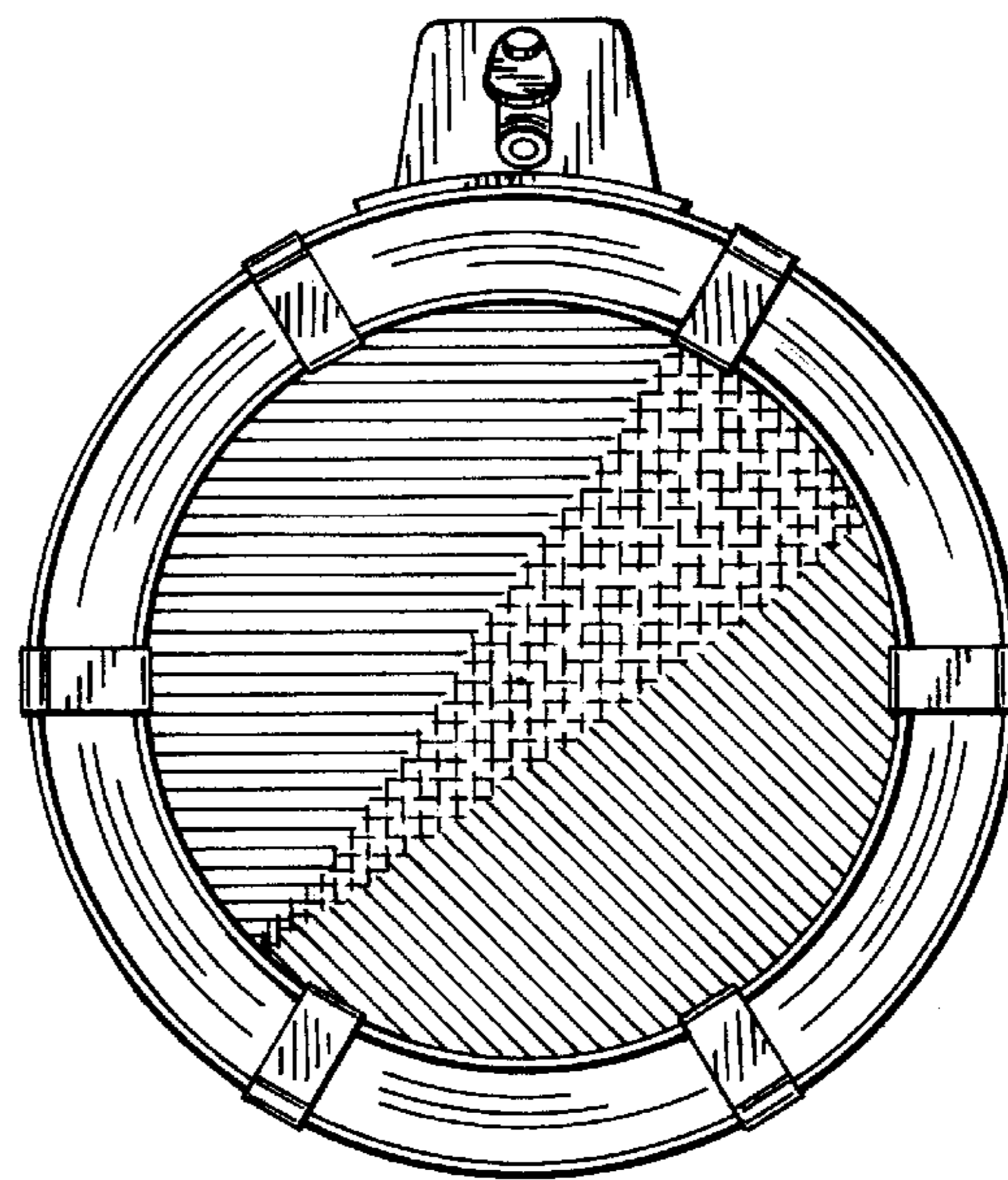


FIG. 4

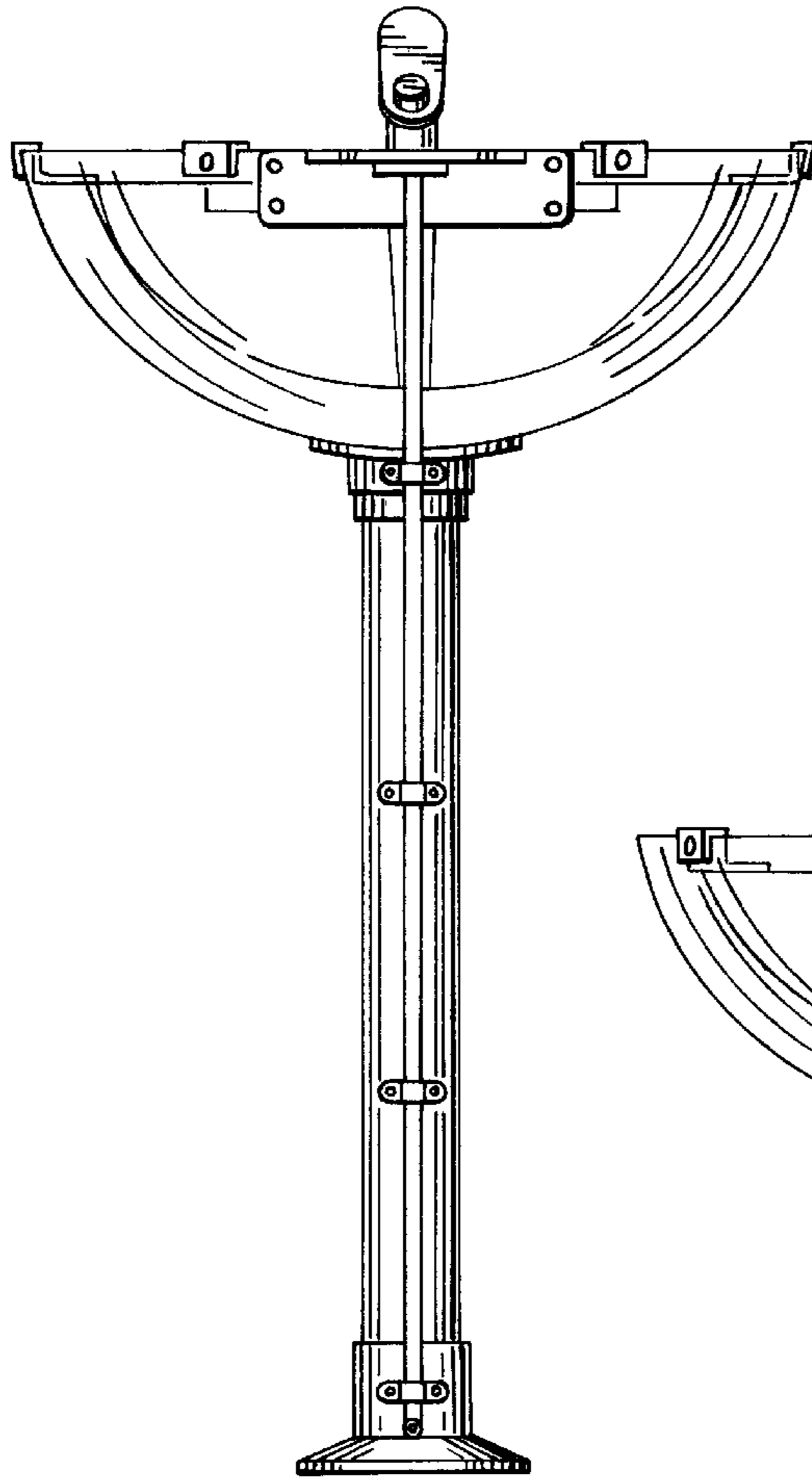


FIG. 5

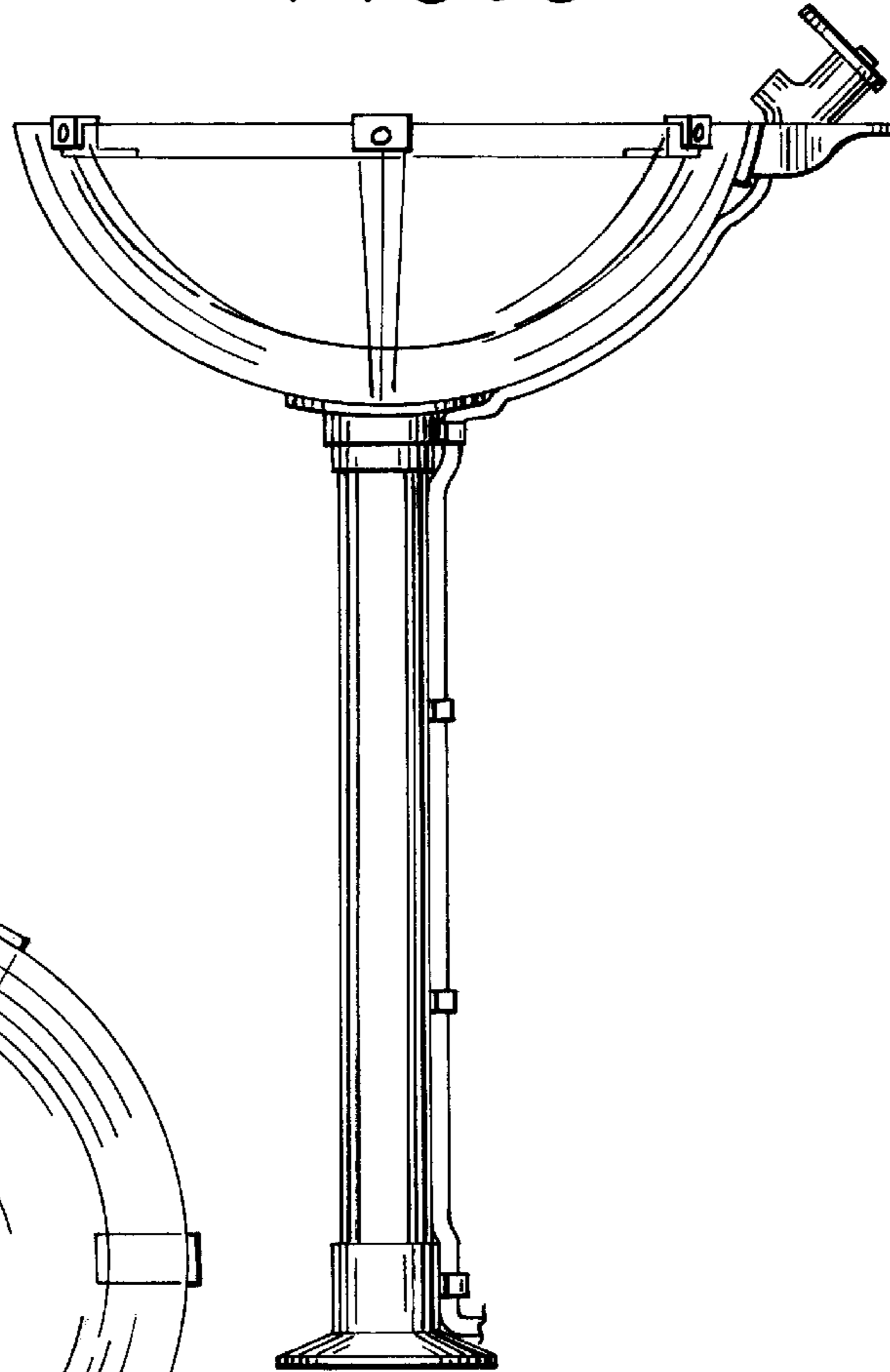


FIG. 6

