

US00D508361S

(12) **United States Design Patent** (10) **Patent No.:** **US D508,361 S**
Zboch et al. (45) **Date of Patent:** **** Aug. 16, 2005**

(54) **BOTTLE**

(75) Inventors: **Gerald Zboch**, Barrington, IL (US);
Margo P. Pidgeon, Glen Ellyn, IL
(US); **Jeremy M. White**, Barrington, IL
(US); **Lance S. Oxley**, New Palestine,
IN (US)

(73) Assignee: **Stokely-Van Camp, Inc.**, Chicago, IL
(US)

(**) Term: **14 Years**

(21) Appl. No.: **29/211,708**

(22) Filed: **Aug. 19, 2004**

Related U.S. Application Data

(62) Division of application No. 29/181,503, filed on May 12, 2003.

(51) **LOC (8) Cl.** **09-01**

(52) **U.S. Cl.** **D6/667; D9/543; D9/569**

(58) **Field of Search** D9/667, 500-504,
D9/516, 520, 530-531, 541-543, 559-560,
563-570, 572-575; 215/379-383, 400;
220/890

(56) **References Cited**

U.S. PATENT DOCUMENTS

D288,905 S	3/1987	Platte, Sr.
D385,497 S	10/1997	Krishnakumar et al.
D390,114 S	2/1998	Young
D393,210 S	4/1998	Ewing, Jr.
D431,470 S	10/2000	Henderson
D448,302 S	9/2001	Cheng et al.
D448,672 S	10/2001	Cheng et al.
D448,674 S	10/2001	Mooney
D449,538 S	10/2001	Bruleson et al.

D452,158 S	*	12/2001	Dygart	D9/538
D454,501 S	*	3/2002	Tornaletti et al.	D9/541
D459,234 S	*	6/2002	Bourque et al.	D9/543
D471,111 S	*	3/2003	Kuzma et al.	D9/543
D472,816 S	*	4/2003	Wright	D9/543
D478,514 S	*	8/2003	Fai	D9/531

* cited by examiner

Primary Examiner—Sandra L. Morris

(74) *Attorney, Agent, or Firm*—Lars S. Johnson; James D. Ryndak

(57) **CLAIM**

The ornamental design for a bottle, as shown and described.

DESCRIPTION

FIG. 1 is a perspective view of a bottle showing the new design;

FIG. 2 is an elevational view thereof;

FIG. 3 is another elevational view thereof, representing a half rotation of the bottle about its vertical axis from the elevational view depicted in FIG. 2;

FIG. 4 is another elevational view thereof, representing a quarter rotation of the bottle about its vertical axis from the elevational view depicted in FIG. 2;

FIG. 5 is another elevational view thereof, representing a half rotation of the bottle about its vertical axis from the elevational view depicted in FIG. 4;

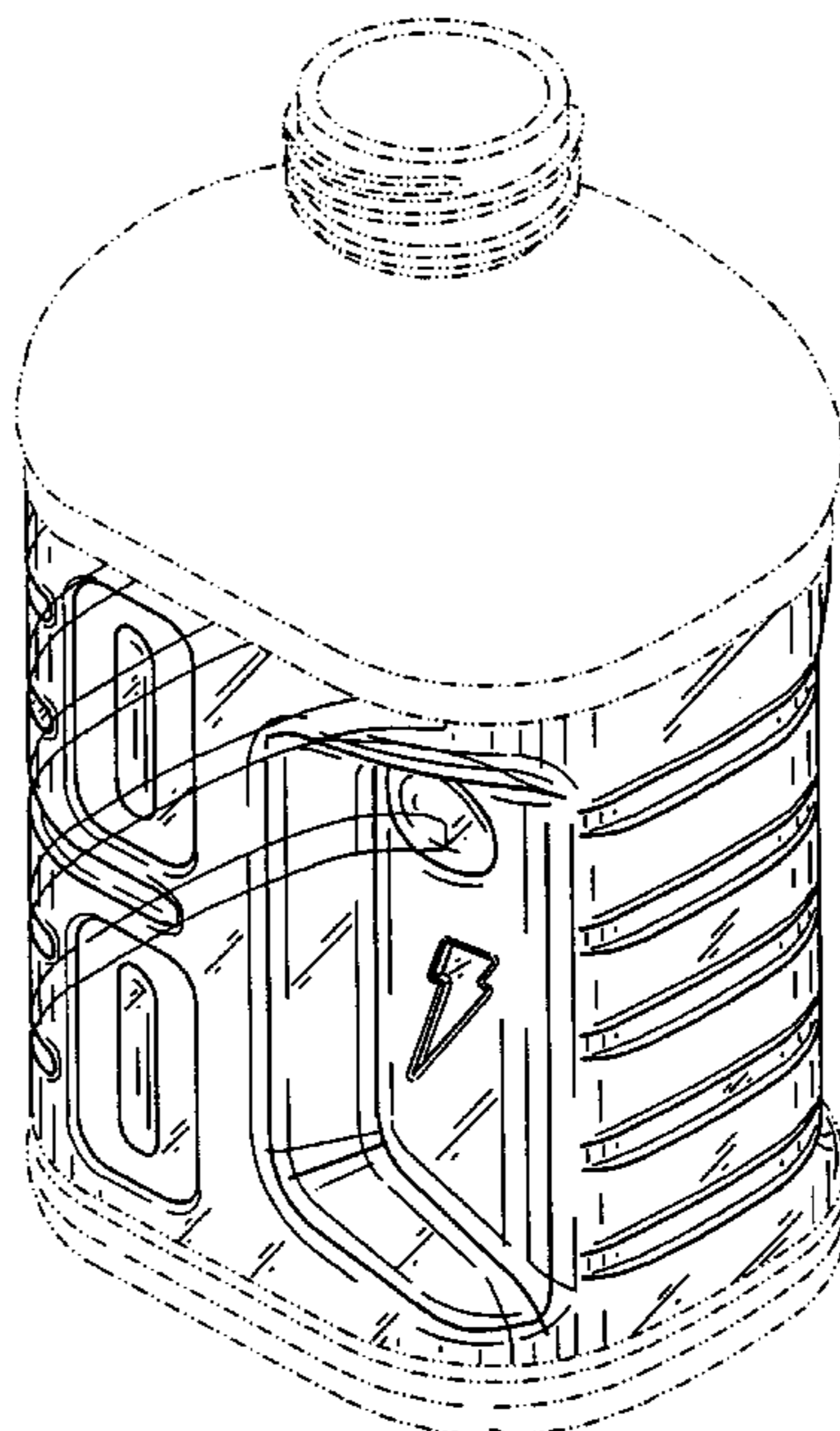
FIG. 6 is a top plan view thereof;

FIG. 7 is a perspective view of a bottle showing the new design; and,

FIG. 8 is another elevational view thereof, the opposite elevational view being a mirror image thereof, both other elevational views being as depicted in FIG. 4 and FIG. 5, and the top plan view being as depicted in FIG. 6.

The broken line showing is for illustrative purposes only, and forms no part of the claimed design.

1 Claim, 6 Drawing Sheets



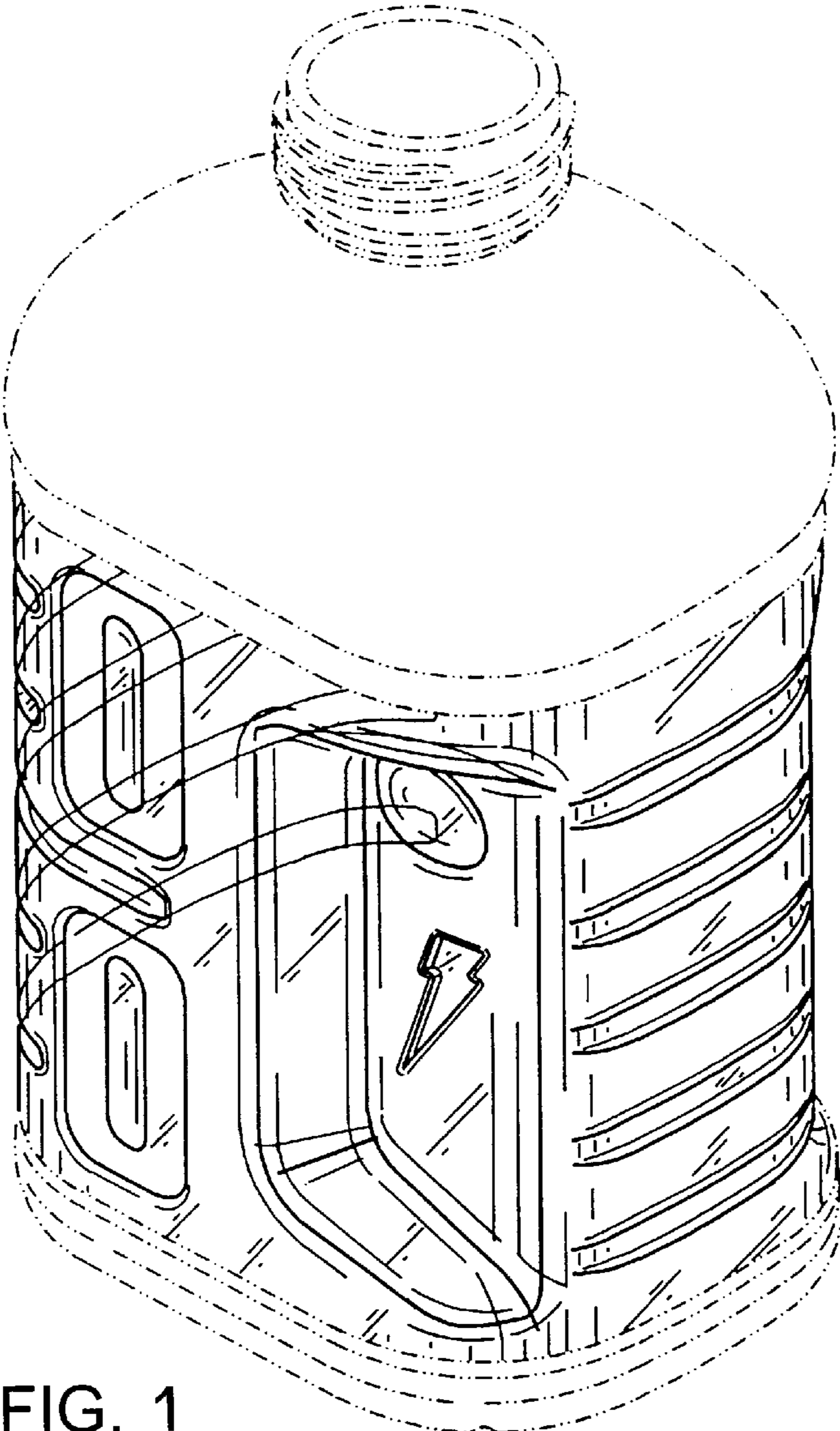


FIG. 1

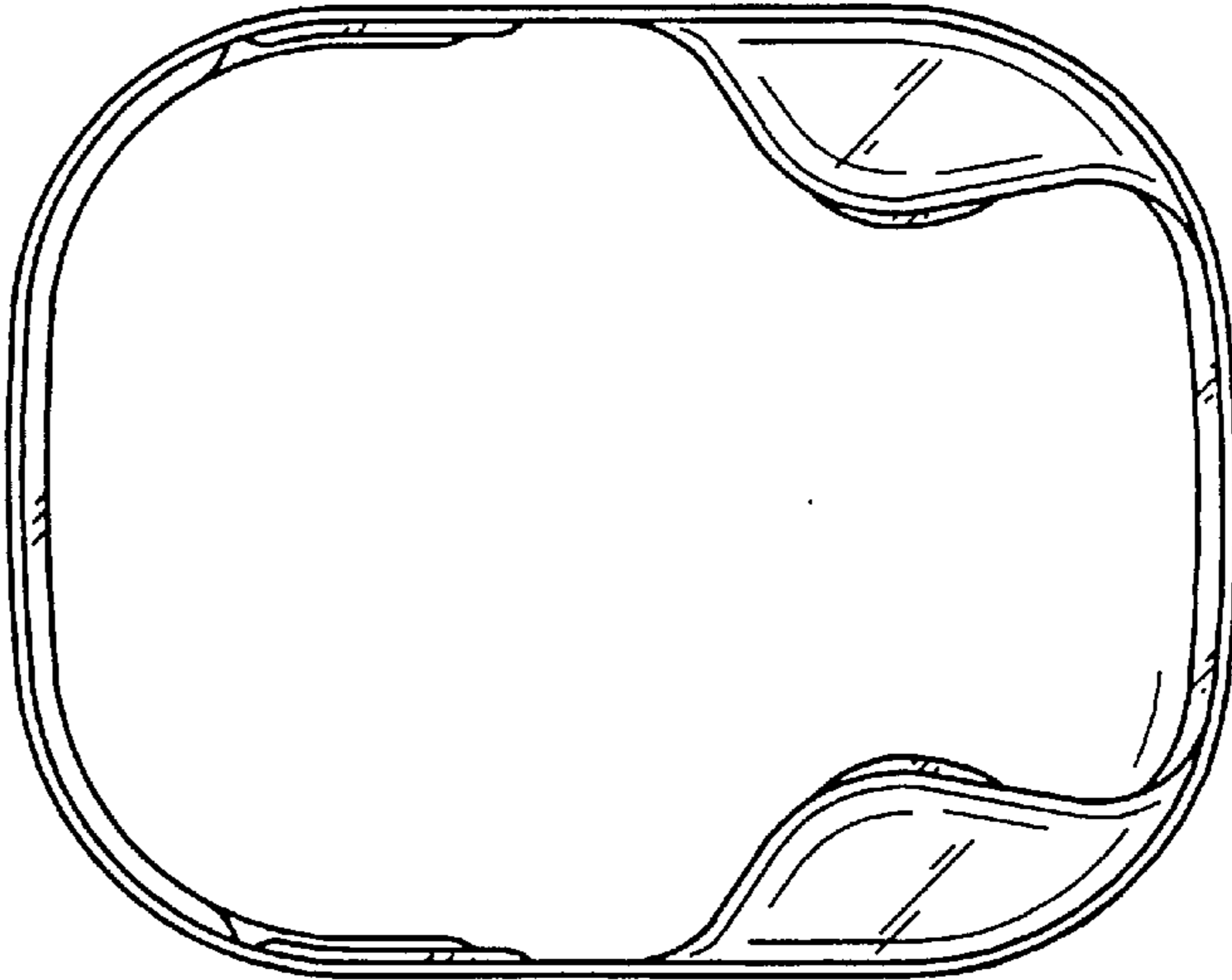


FIG. 6

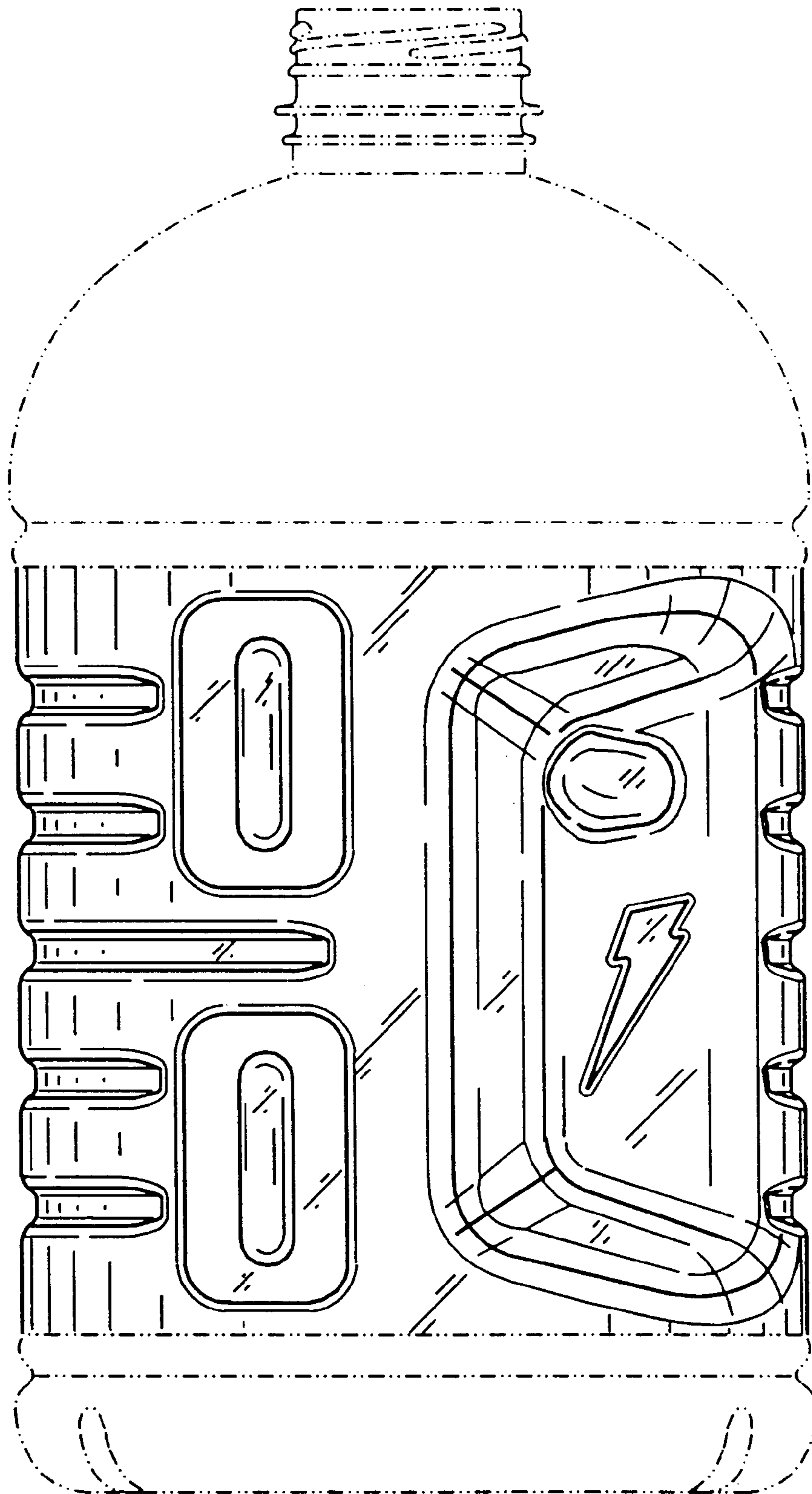


FIG. 2

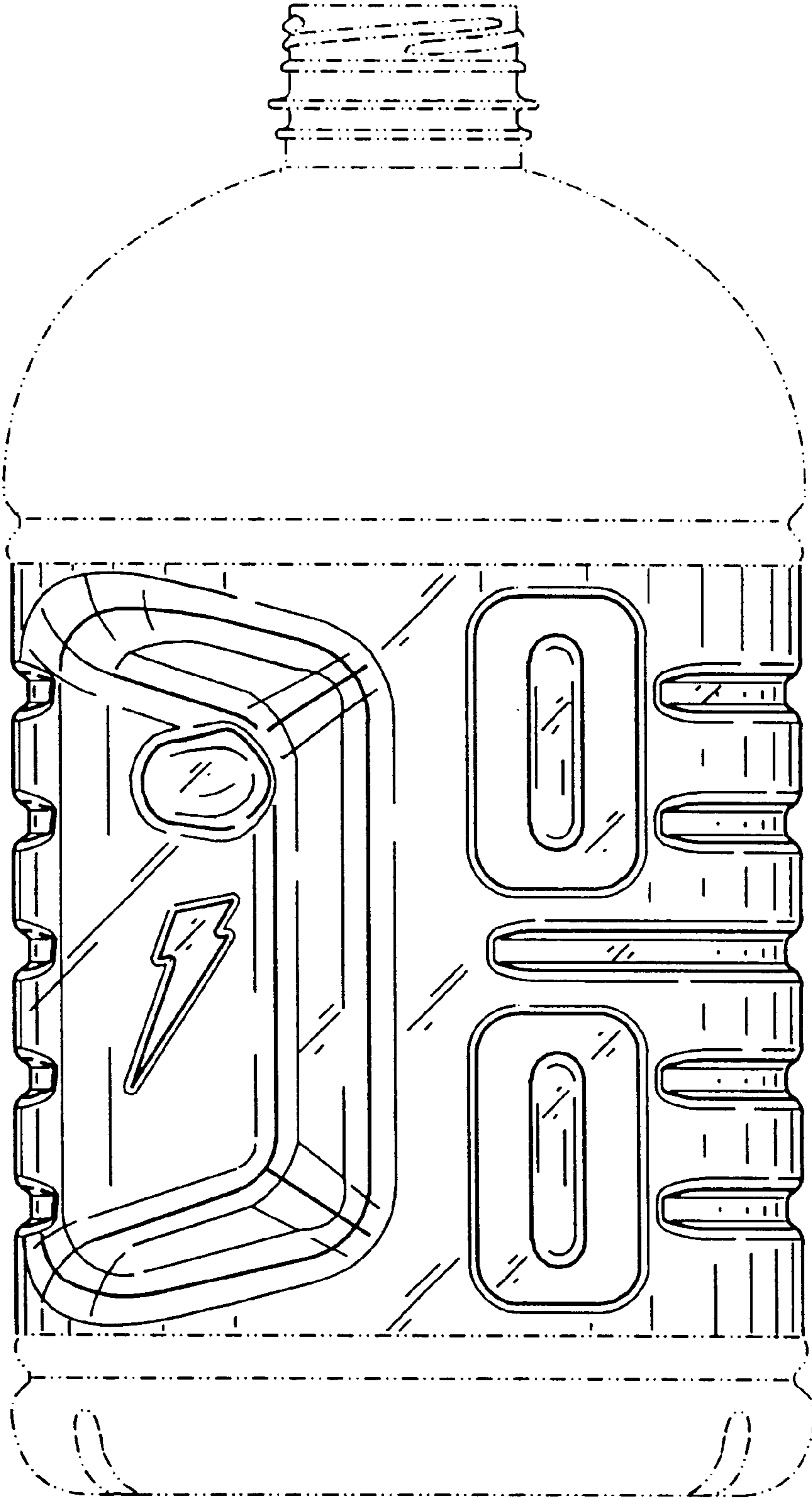


FIG. 3

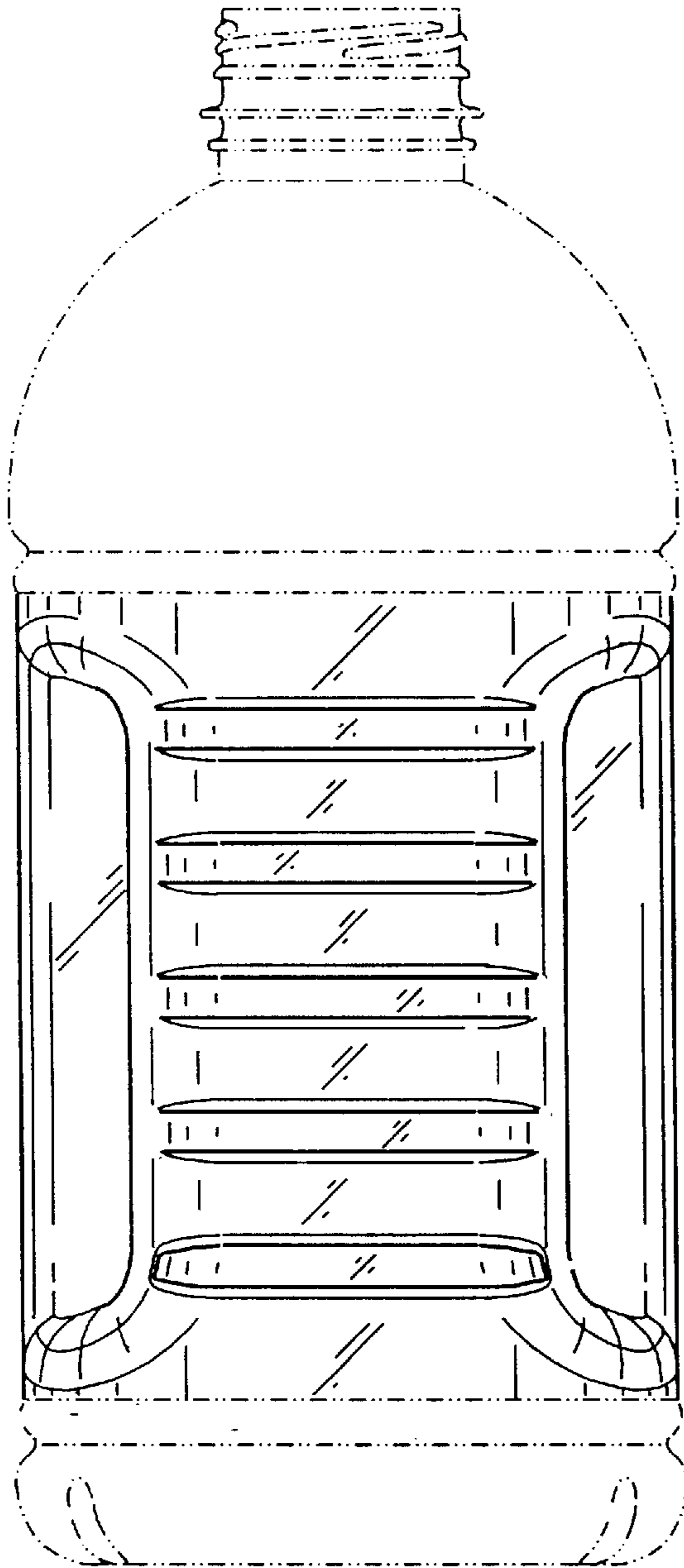


FIG. 4

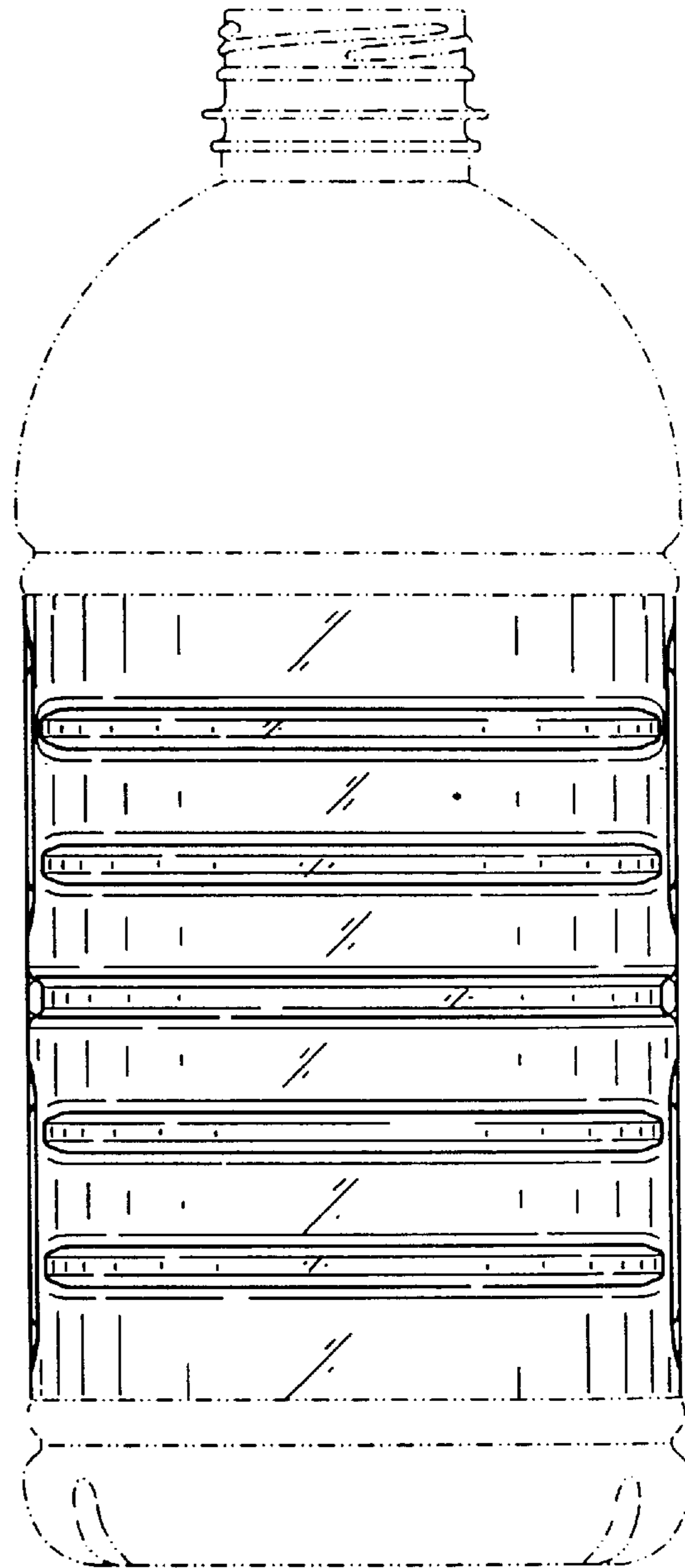


FIG. 5

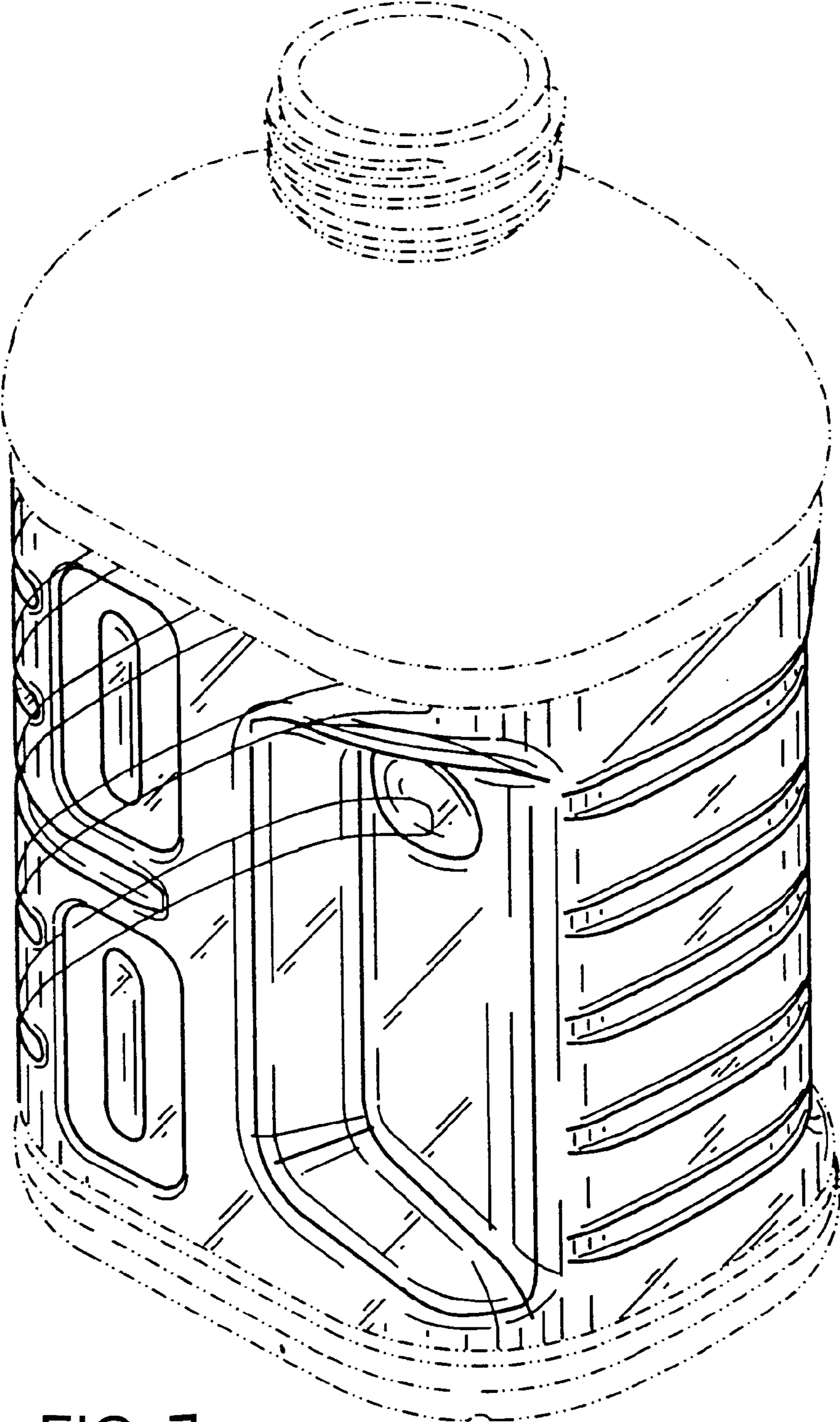


FIG. 7

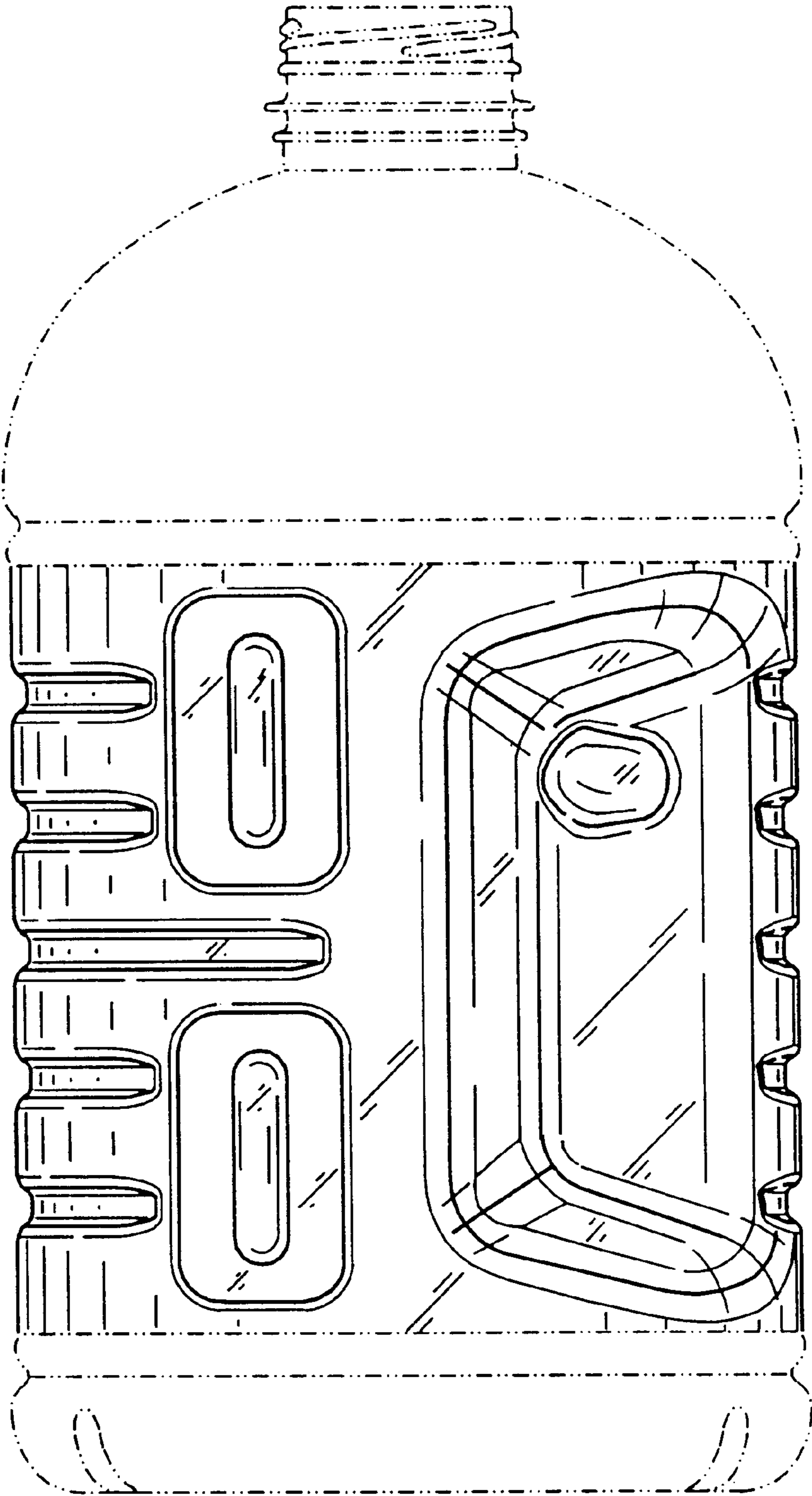


FIG. 8