



US00D508357S

(12) **United States Design Patent** (10) **Patent No.:** **US D508,357 S**
Aubry et al. (45) **Date of Patent:** **** Aug. 16, 2005**

(54) **WALL MOUNTABLE ACCESSORY**

(74) *Attorney, Agent, or Firm*—Quarles & Brady, LLP

(75) Inventors: **Clodagh Aubry**, New York, NY (US);
Kate Verner, New York, NY (US)

(57) **CLAIM**

The ornamental design for a wall mountable accessory, as shown and described.

(73) Assignee: **Ann Sacks Title and Stone, Inc.**,
Portland, OR (US)

DESCRIPTION

(**) Term: **14 Years**

In a preferred embodiment, the nature of this product is as a wall mountable accessory in the form of a towel bar.

(21) Appl. No.: **29/179,493**

FIG. 1 is a top, right, front perspective view of a wall mountable towel bar embodying our new design;

(22) Filed: **Apr. 10, 2003**

FIG. 2 is a front elevational view thereof;

(51) **LOC (8) Cl.** **06-04**

FIG. 3 is a top plan view thereof;

(52) **U.S. Cl.** **D6/549**

FIG. 4 is a bottom plan view thereof;

(58) **Field of Search** D6/546–550, 518–519,
D6/522–524; D8/300, 303, 315–321; 108/28–29;
211/13.1, 16, 60.1, 86.01, 87.01, 88.01,
88.04, 100, 105.1–105.2, 123, 181.1, 182;
248/175, 176.1, 251, 302; 16/110.1, 412,
415; 242/570, 590, 595–598

FIG. 5 is a right side elevational view thereof, the left side elevational view thereof being identical to the right side shown;

FIG. 6 is a rear elevational view thereof;

FIG. 7 is a cross-sectional view thereof taken along line 7–7 of FIG. 3;

(56) **References Cited**

FIG. 8 is a top, right, front perspective view of a second embodiment, the left side and right side elevational views thereof being identical to that shown in FIG. 5;

U.S. PATENT DOCUMENTS

FIG. 9 is a front elevational view thereof;

D266,808 S	*	11/1982	Thompson	D6/525
D310,147 S	*	8/1990	Aaron	D6/524
D321,423 S	*	11/1991	Ohm	D6/546
D340,377 S	*	10/1993	Brazis	D6/549
D486,020 S	*	2/2004	Hoernig	D6/549
D493,313 S	*	7/2004	Hoernig	D6/524

FIG. 10 is a top plan view thereof;

FIG. 11 is a bottom plan view thereof; and,

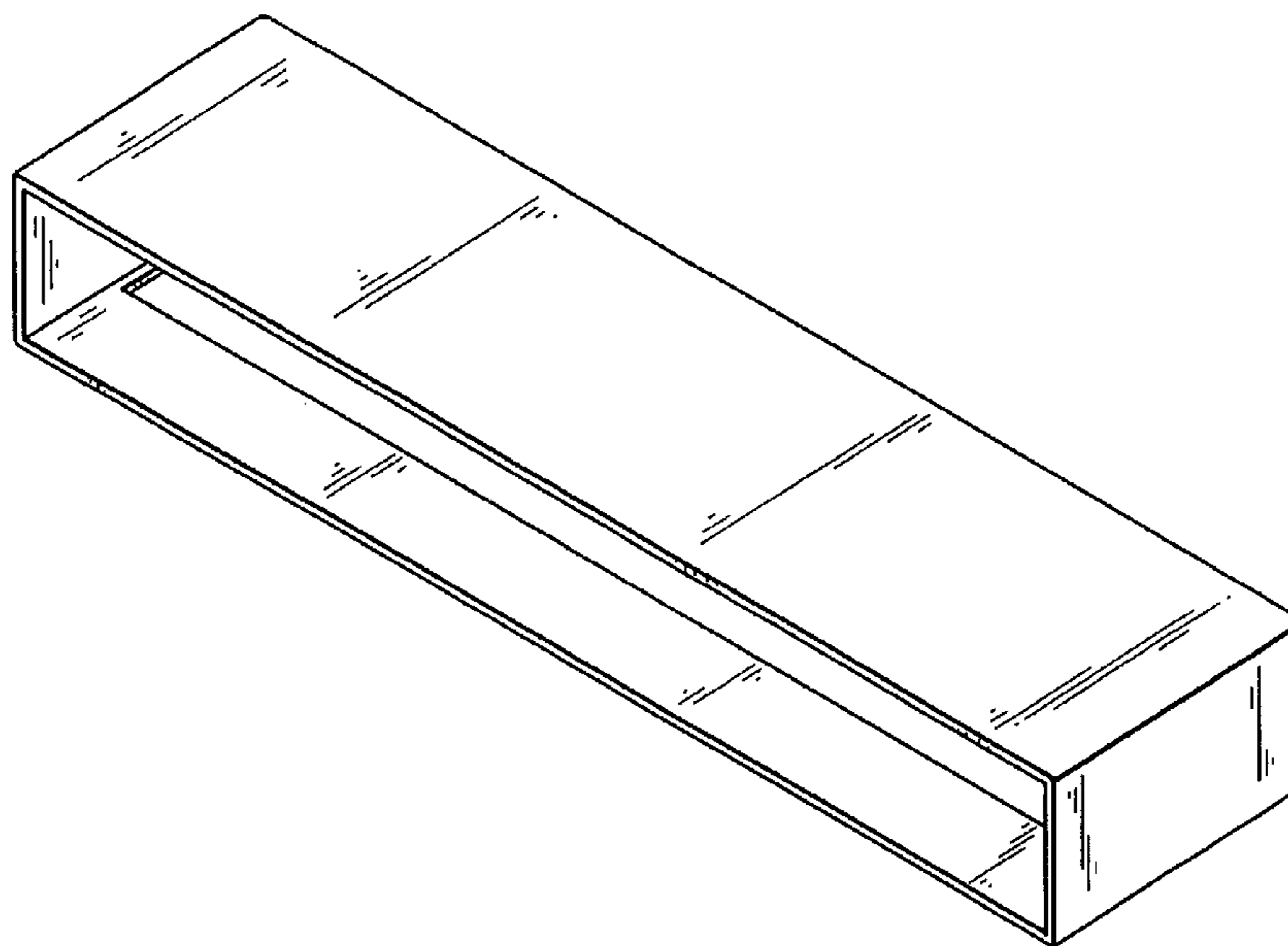
FIG. 12 is a rear elevational view thereof.

The broken line representations of mounting holes in FIGS. 6 and 12 are for the purpose of illustration only, and form no part of the claimed design.

* cited by examiner

Primary Examiner—Brian N Vinson

1 Claim, 6 Drawing Sheets



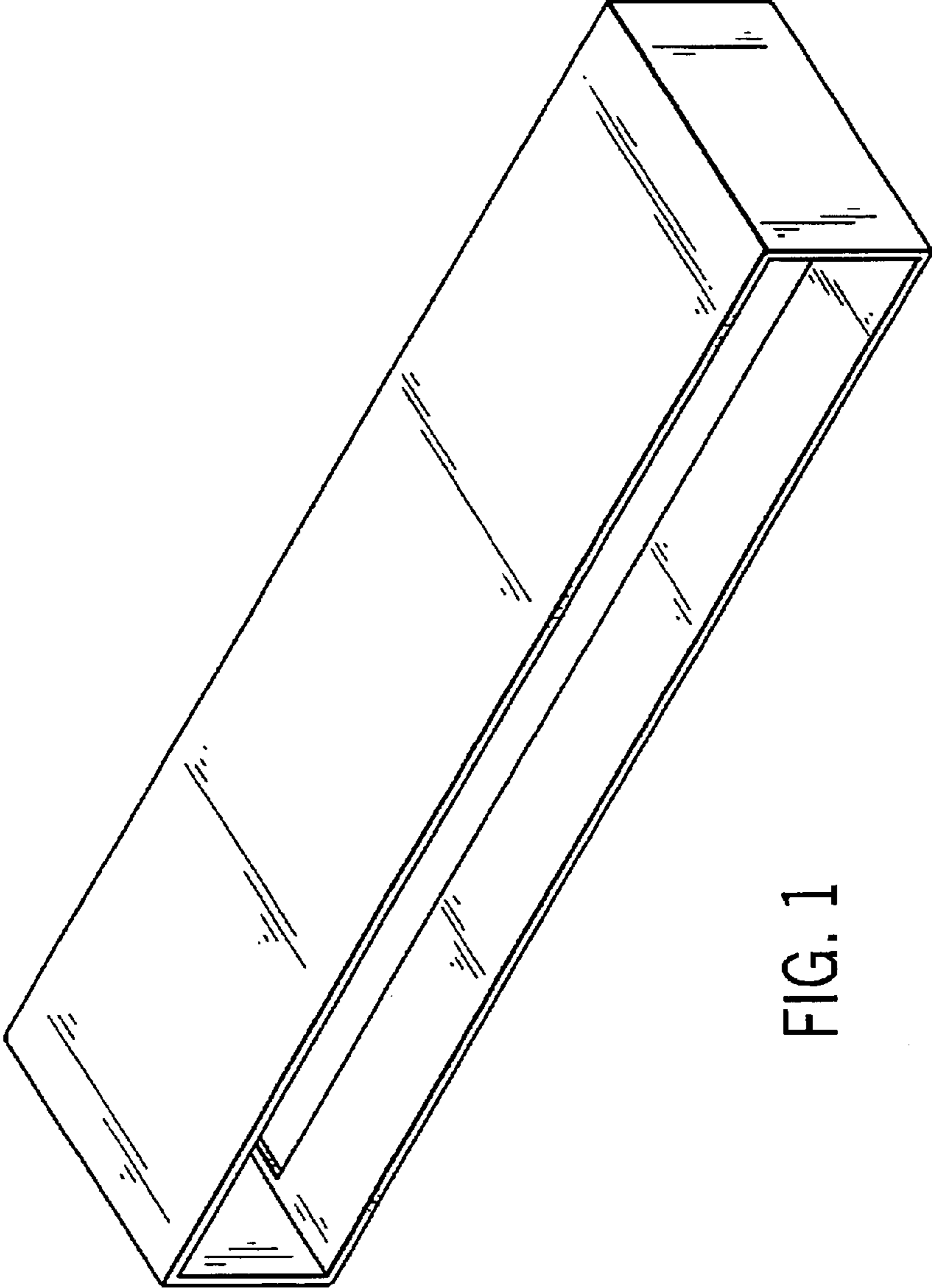


FIG. 1

FIG. 2

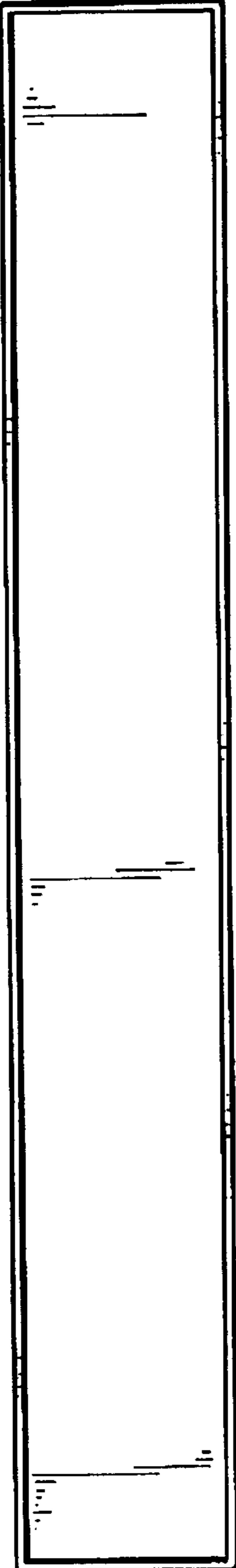
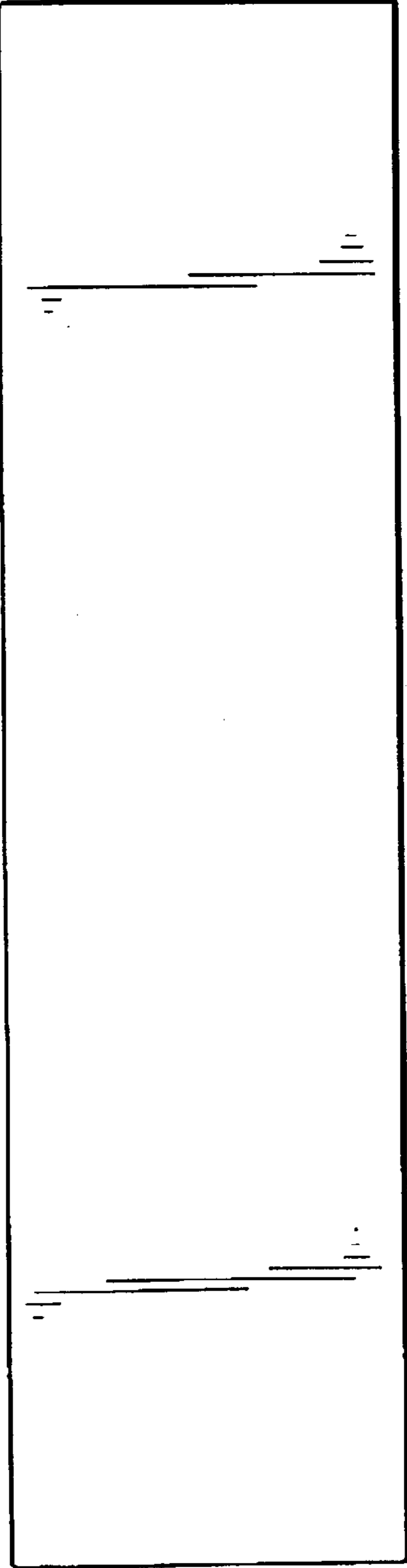


FIG. 3



7

7

FIG. 4

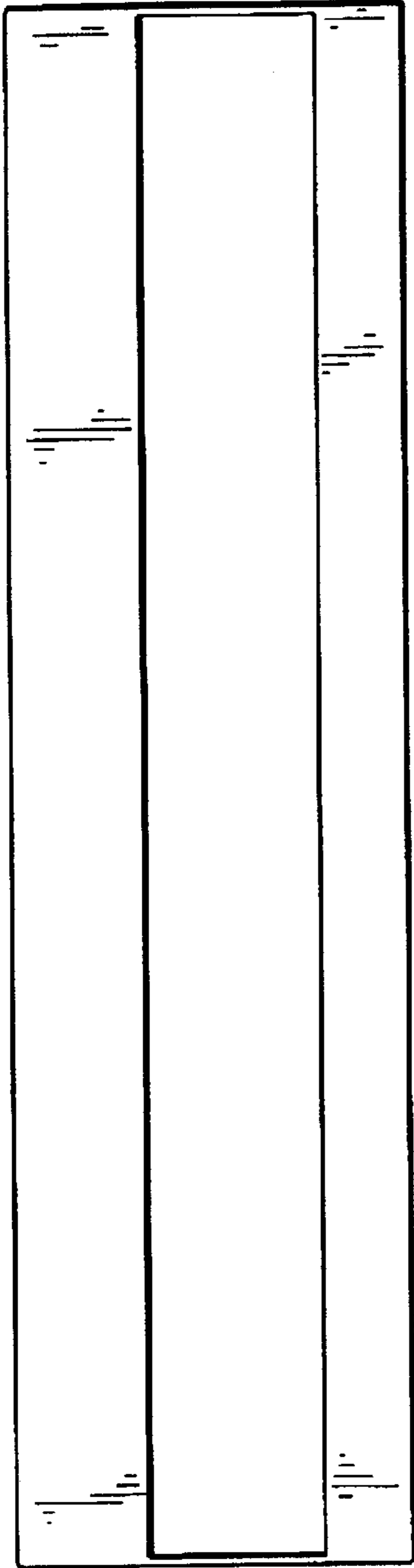


FIG. 5

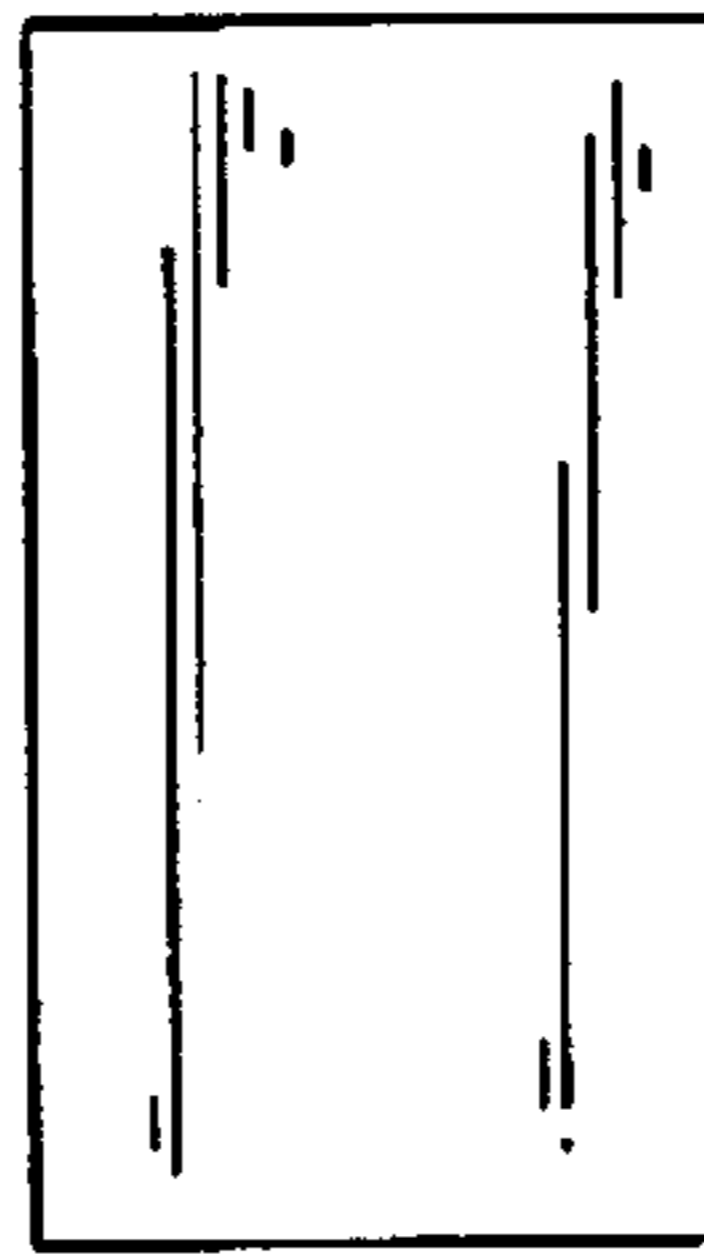


FIG. 7

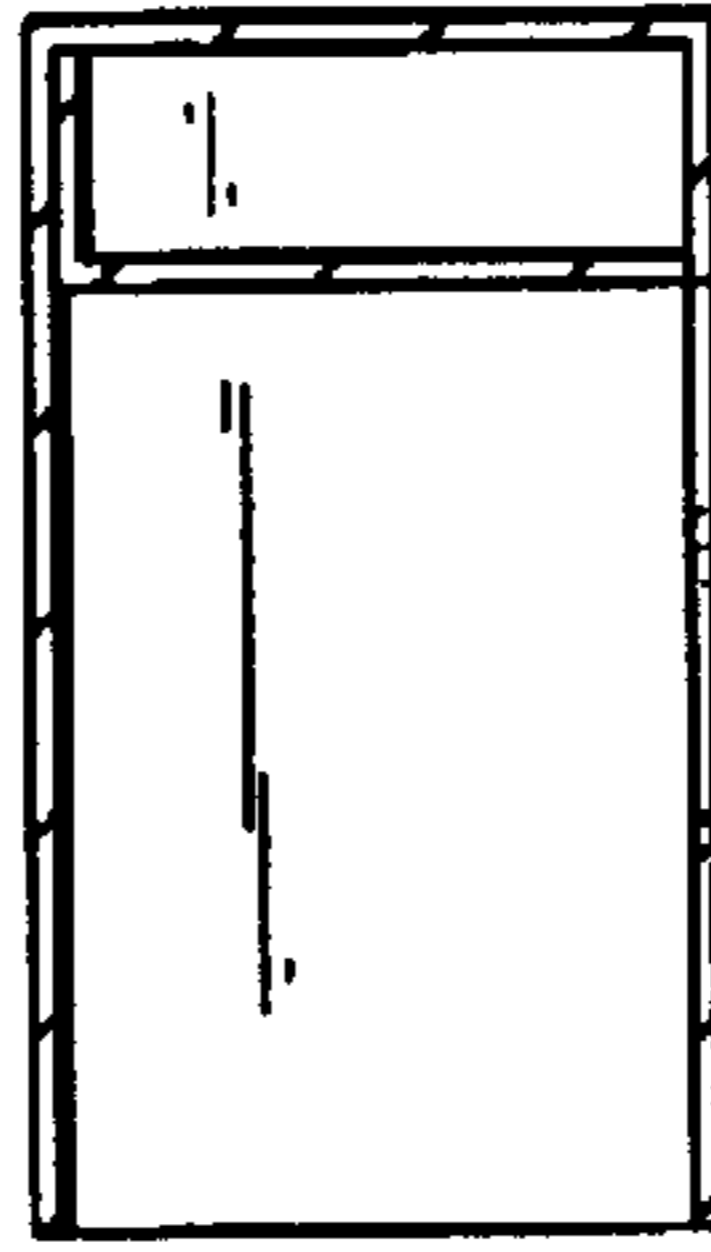
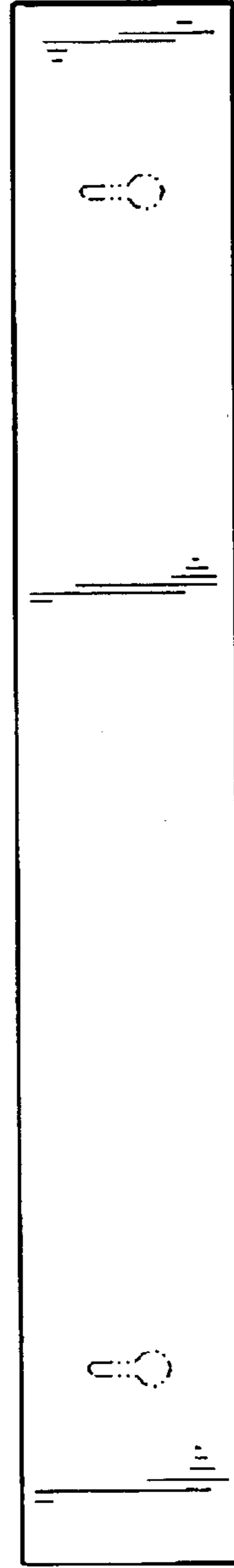


FIG. 6



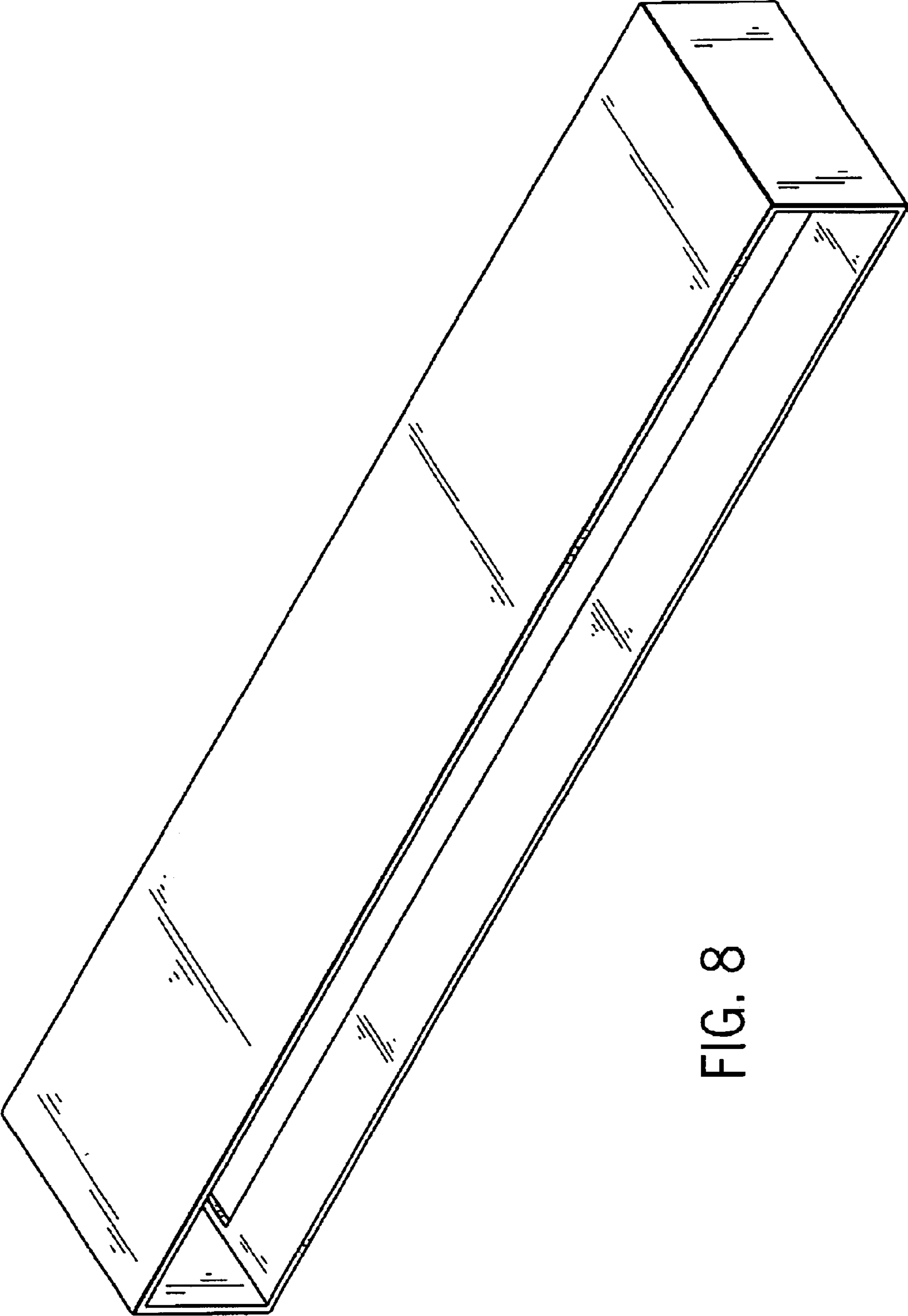


FIG. 8

FIG. 9

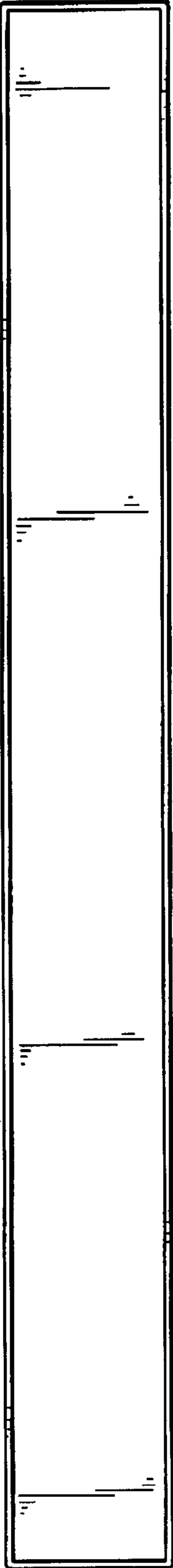


FIG. 10

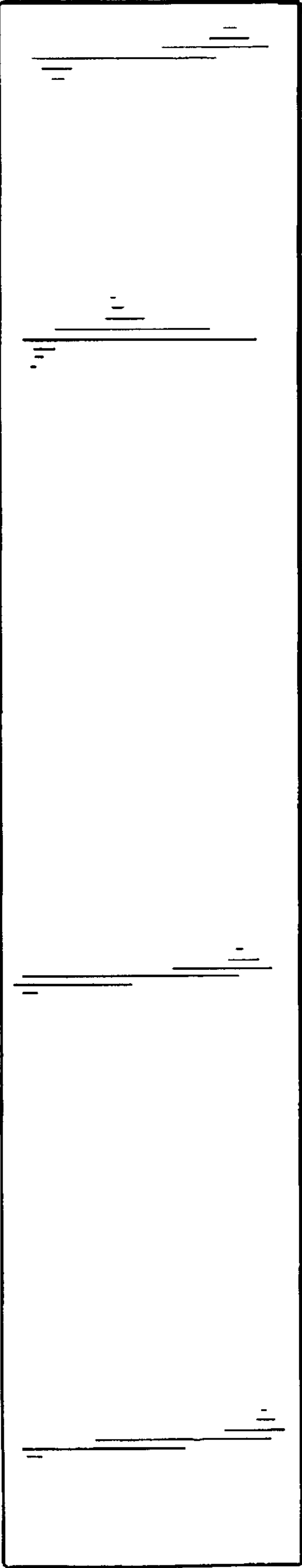


FIG. 11

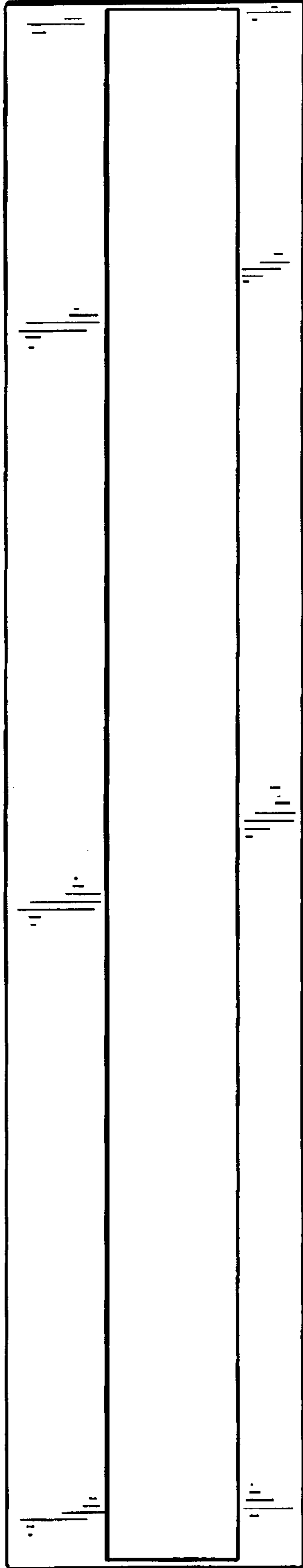
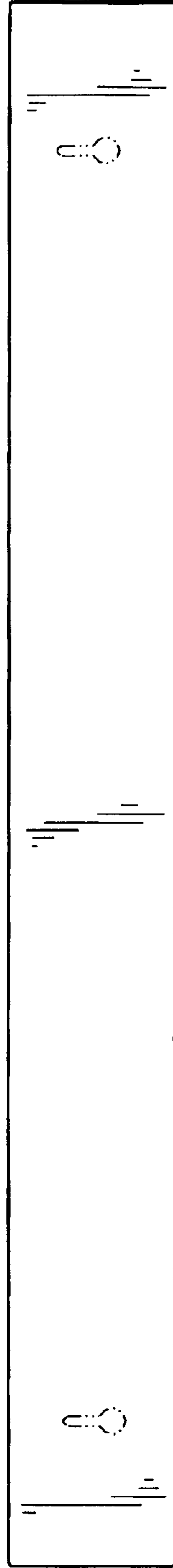


FIG. 12



UNITED STATES PATENT AND TRADEMARK OFFICE
CERTIFICATE OF CORRECTION

PATENT NO. : Des. 508,357 S
DATED : August 16, 2005
INVENTOR(S) : Clodagh Aubry and Kate Verner

Page 1 of 1

It is certified that error appears in the above-identified patent and that said Letters Patent is hereby corrected as shown below:

Title page,
Item [73], Assignee, “**Ann Sacks Title and Stone, Inc.**” should read -- **Ann Sacks Tile and Stone, Inc.** --.

Signed and Sealed this

Eleventh Day of October, 2005

A handwritten signature in black ink on a light gray dotted background. The signature reads "Jon W. Dudas" in a cursive style.

JON W. DUDAS

Director of the United States Patent and Trademark Office