

US00D508349S

(12) **United States Design Patent**
Wu

(10) **Patent No.:** **US D508,349 S**

(45) **Date of Patent:** **** Aug. 16, 2005**

(54) **SHELF**

(75) **Inventor:** **Ming-Feng Wu, Tainan (TW)**

(73) **Assignee:** **Yienn Lih Enterprise Co., Ltd., Tainan (TW)**

(**) **Term:** **14 Years**

(21) **Appl. No.:** **29/190,900**

(22) **Filed:** **Sep. 30, 2003**

(51) **LOC (8) Cl. 06-04**

(52) **U.S. Cl. D6/456**

(58) **Field of Search** D6/408, 411, 459,
D6/450, 456, 462, 467, 468, 469, 466,
465, 479, 475, 476, 510, 511, 517, 627,
629, 630; D14/251, 253; 211/13.1, 85.1,
85.2, 85.6, 26.1, 39-36, 40, 41.1, 41.12,
51, 74, 59.3, 85, 85.18, 85.23, 87.01, 90.01,
164, 199, 119.003, 181.1; 248/130, 153,
177.1

(56) **References Cited**

U.S. PATENT DOCUMENTS

2,911,107 A * 11/1959 Francavillo 211/78

D225,870 S * 1/1973 Morgison D6/456
D483,579 S * 12/2003 Frankelton D6/462
D488,643 S * 4/2004 Birmingham D6/469
D494,775 S * 8/2004 Birmingham D6/456

* cited by examiner

Primary Examiner—Janice E. Seeger
Assistant Examiner—Sydney R. Buffalow
(74) *Attorney, Agent, or Firm*—Rosenberg, Klein & Lee

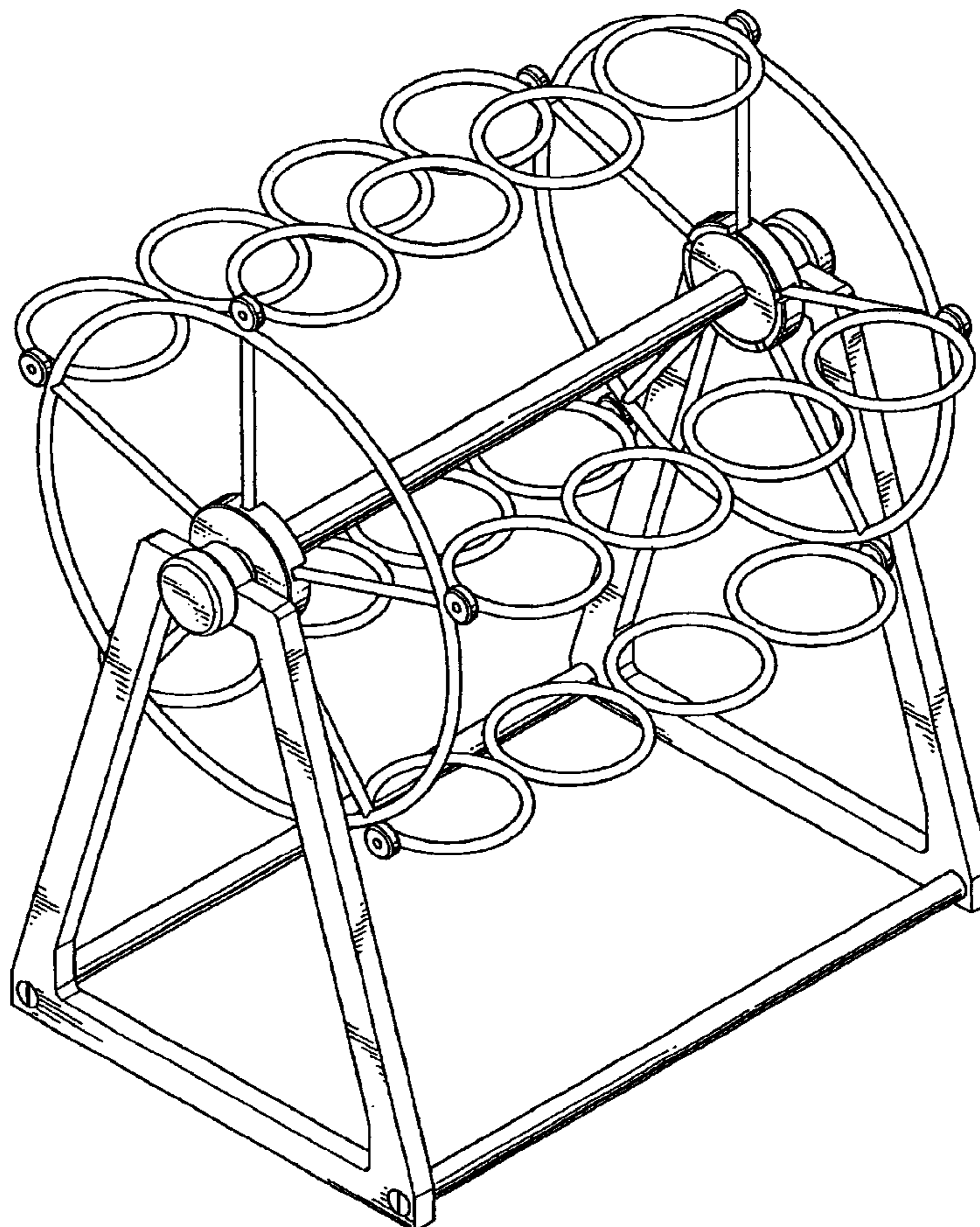
(57) **CLAIM**

The ornamental design for a shelf, as shown and described.

DESCRIPTION

FIG. 1 is a perspective view of a shelf showing my new design;
FIG. 2 is a front elevational view thereof;
FIG. 3 is a rear elevational view thereof;
FIG. 4 is a left side elevational view thereof;
FIG. 5 is a right side elevational view thereof;
FIG. 6 is a top plan view thereof; and,
FIG. 7 is a bottom plan view thereof.

1 Claim, 4 Drawing Sheets



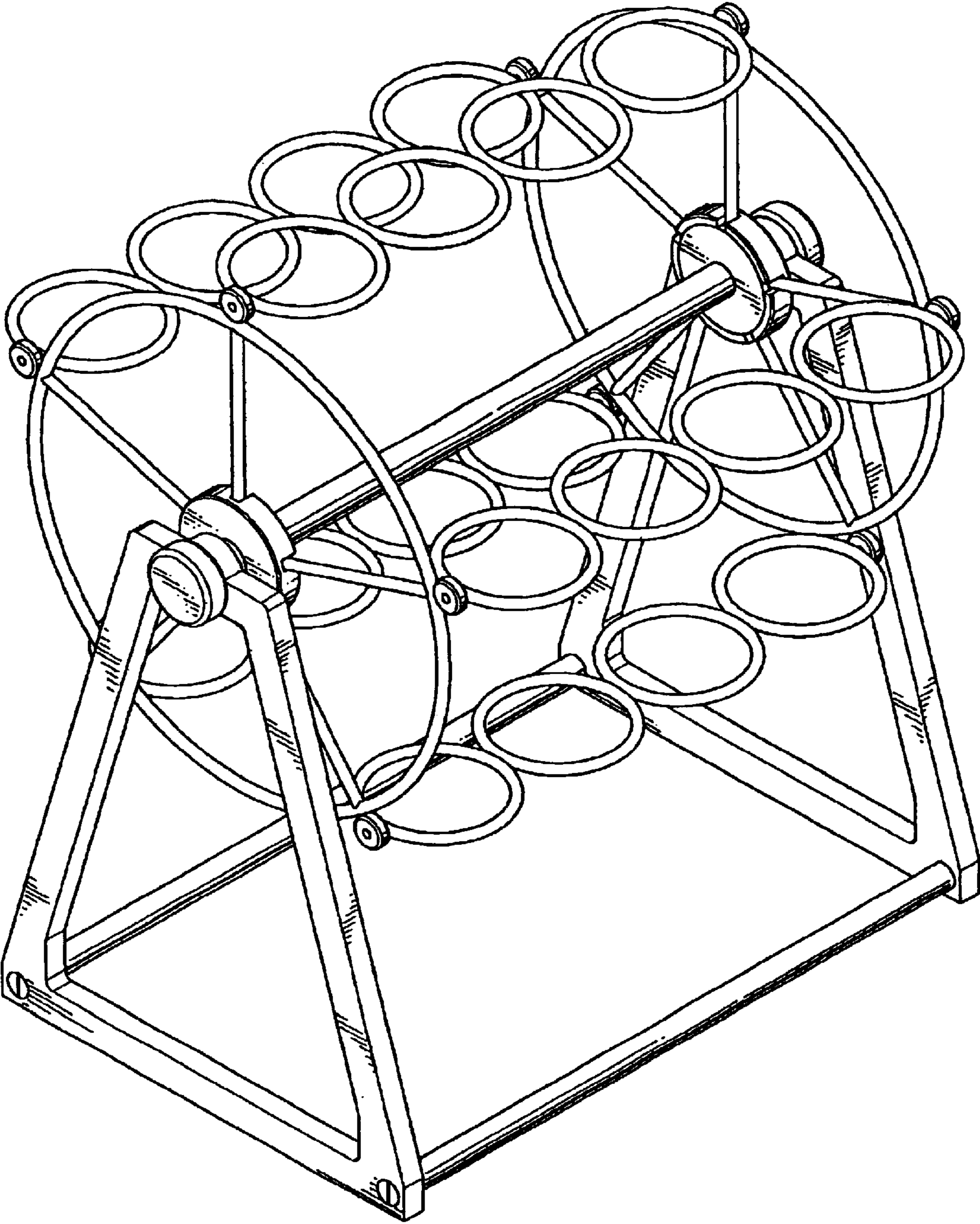


FIG. 1

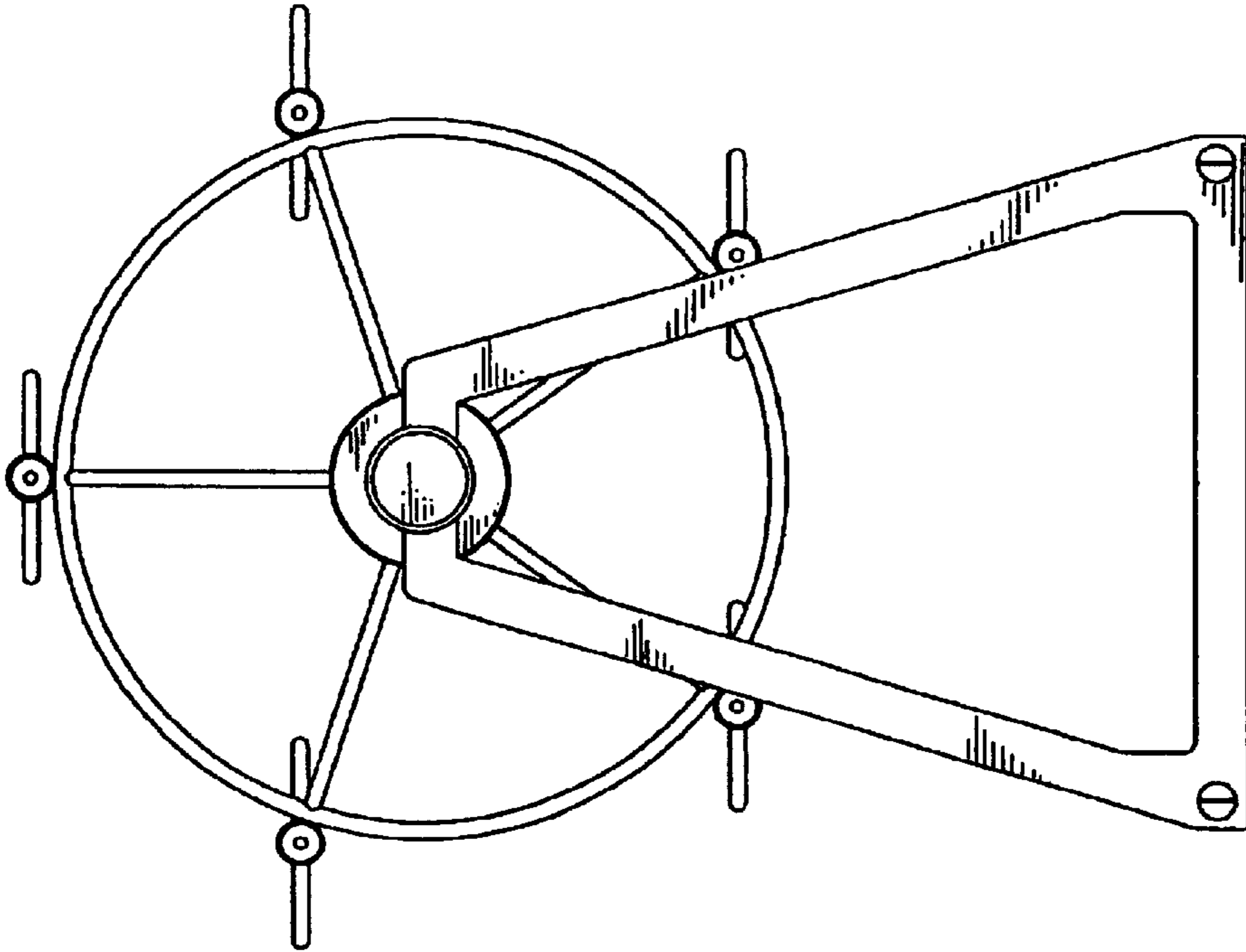


FIG. 2

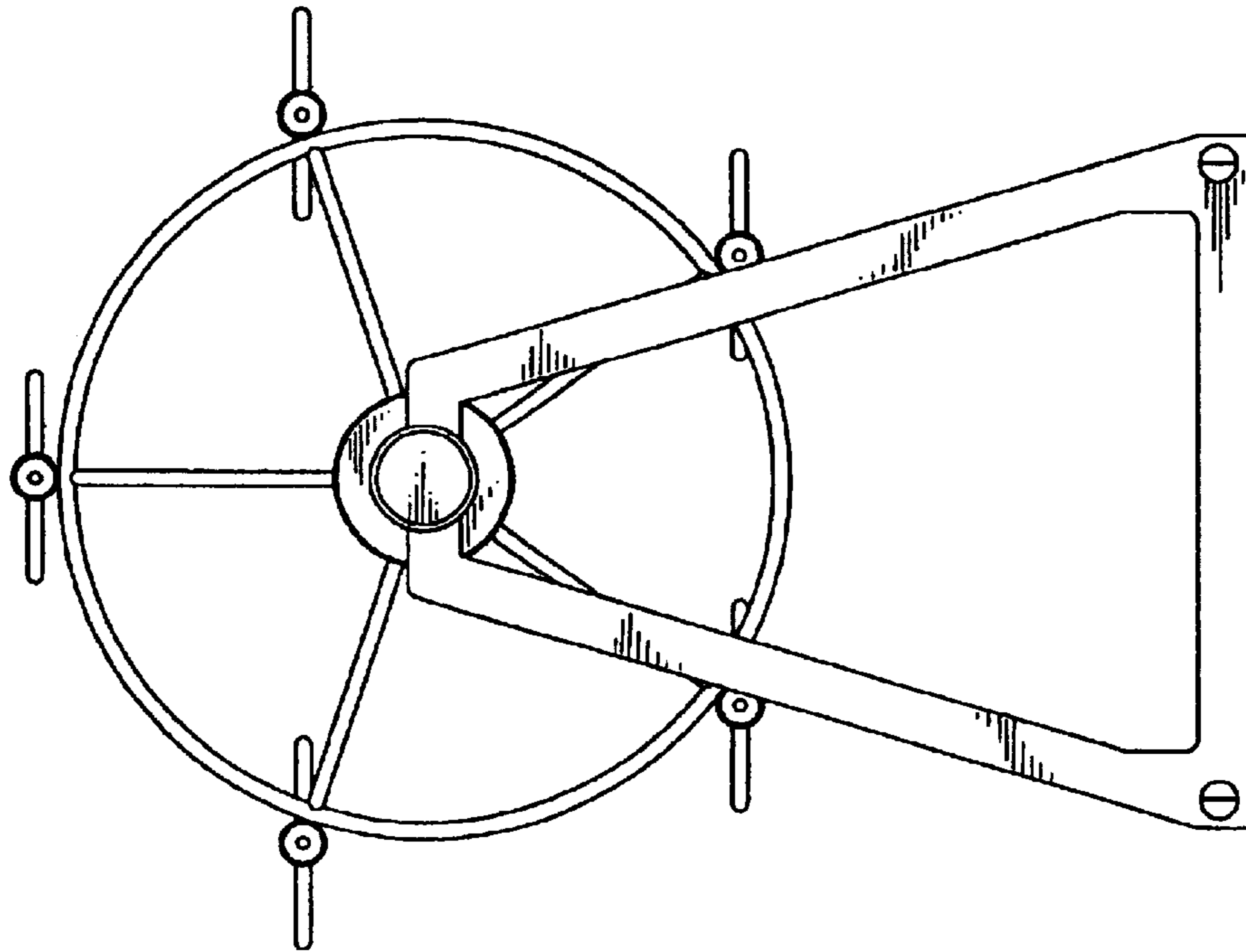


FIG. 3

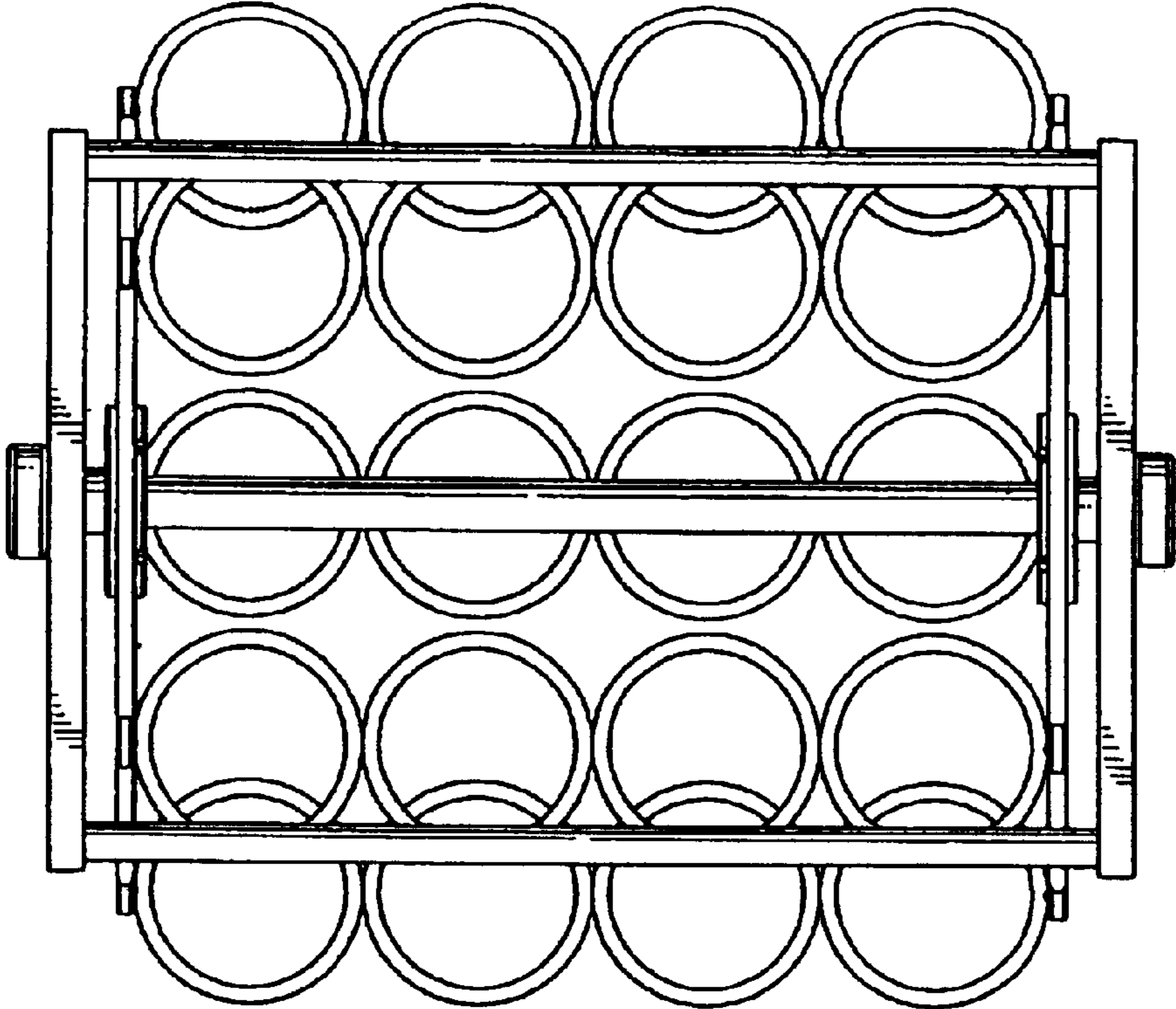


FIG. 5

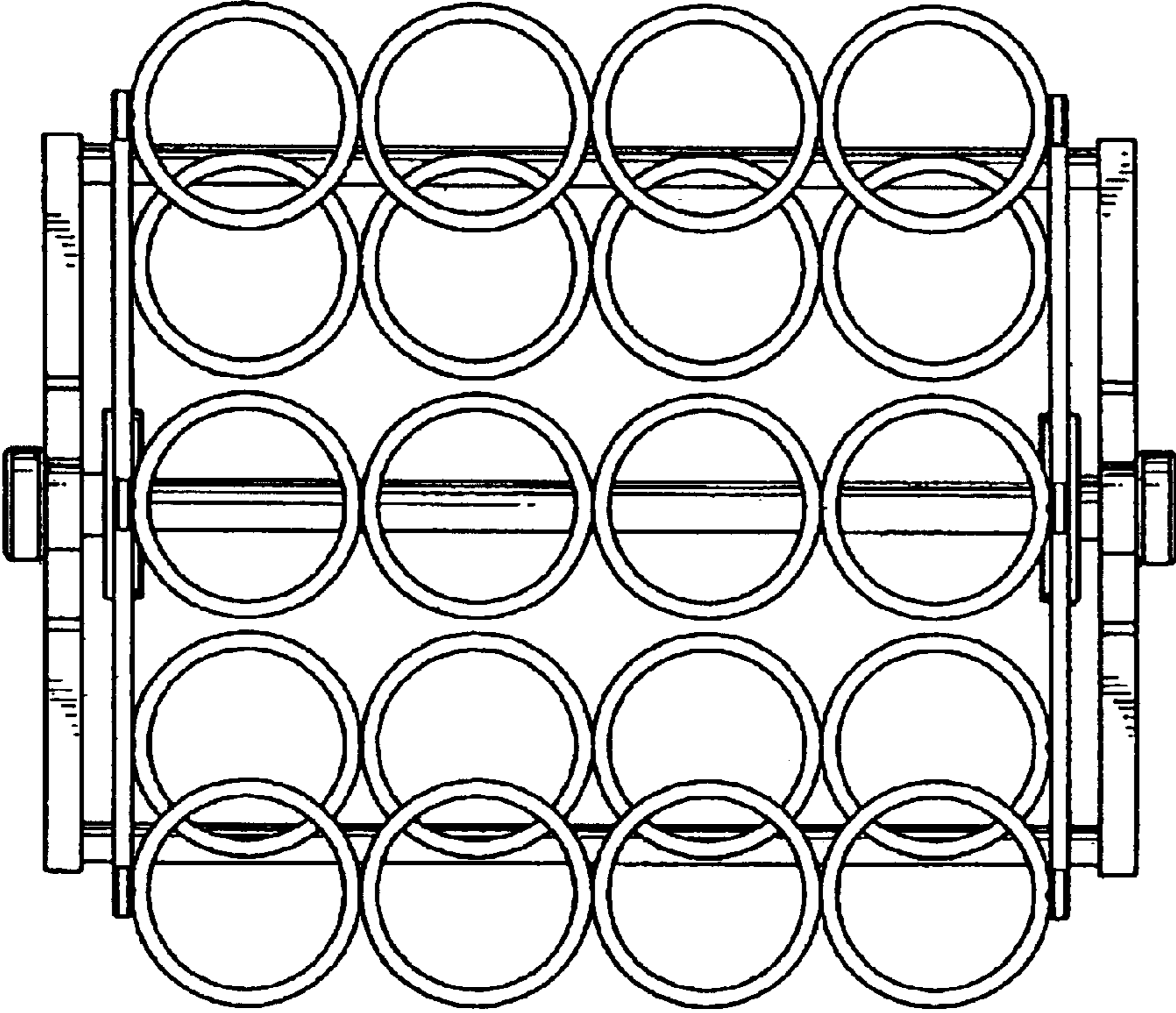


FIG. 4

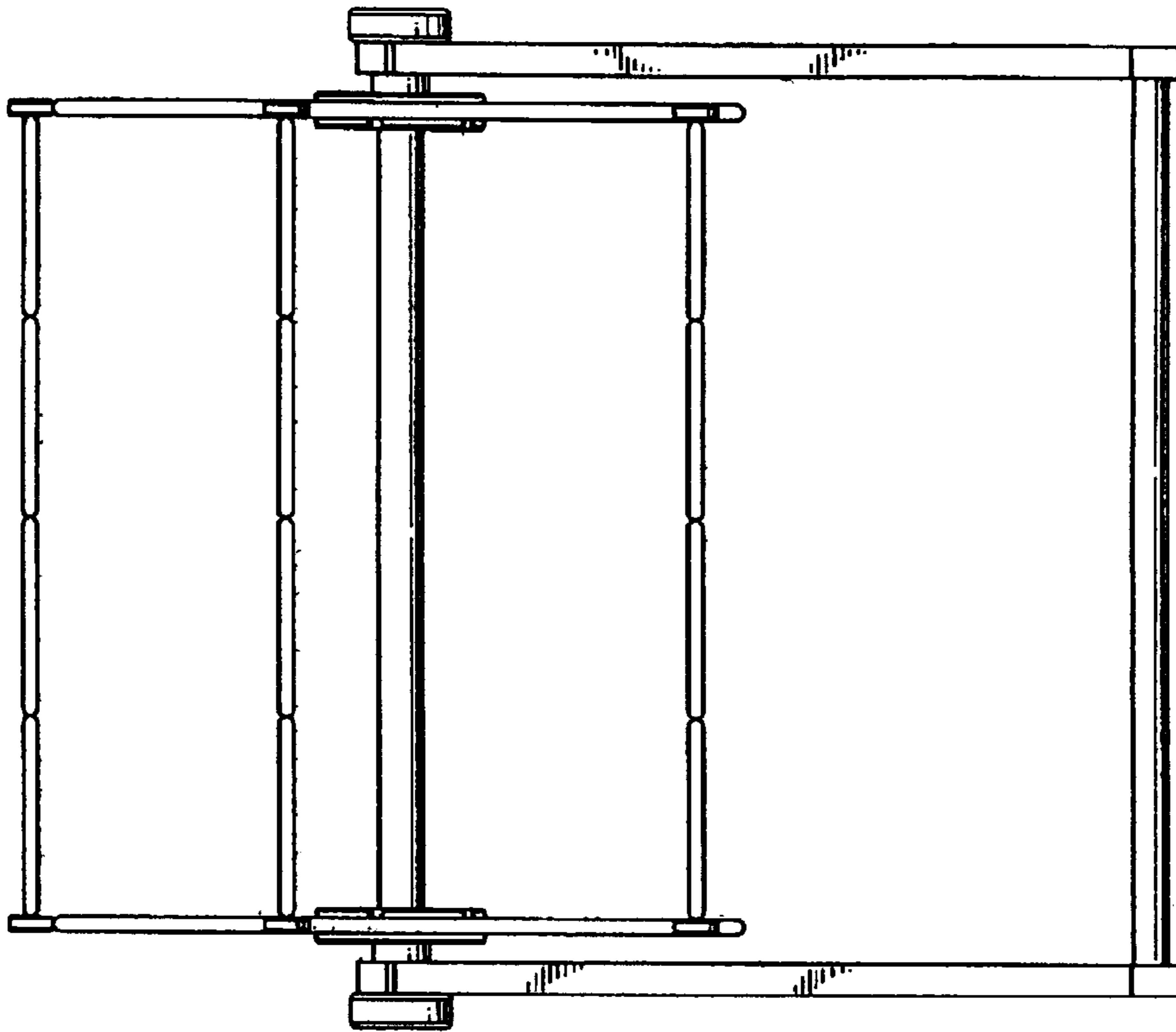


FIG. 7

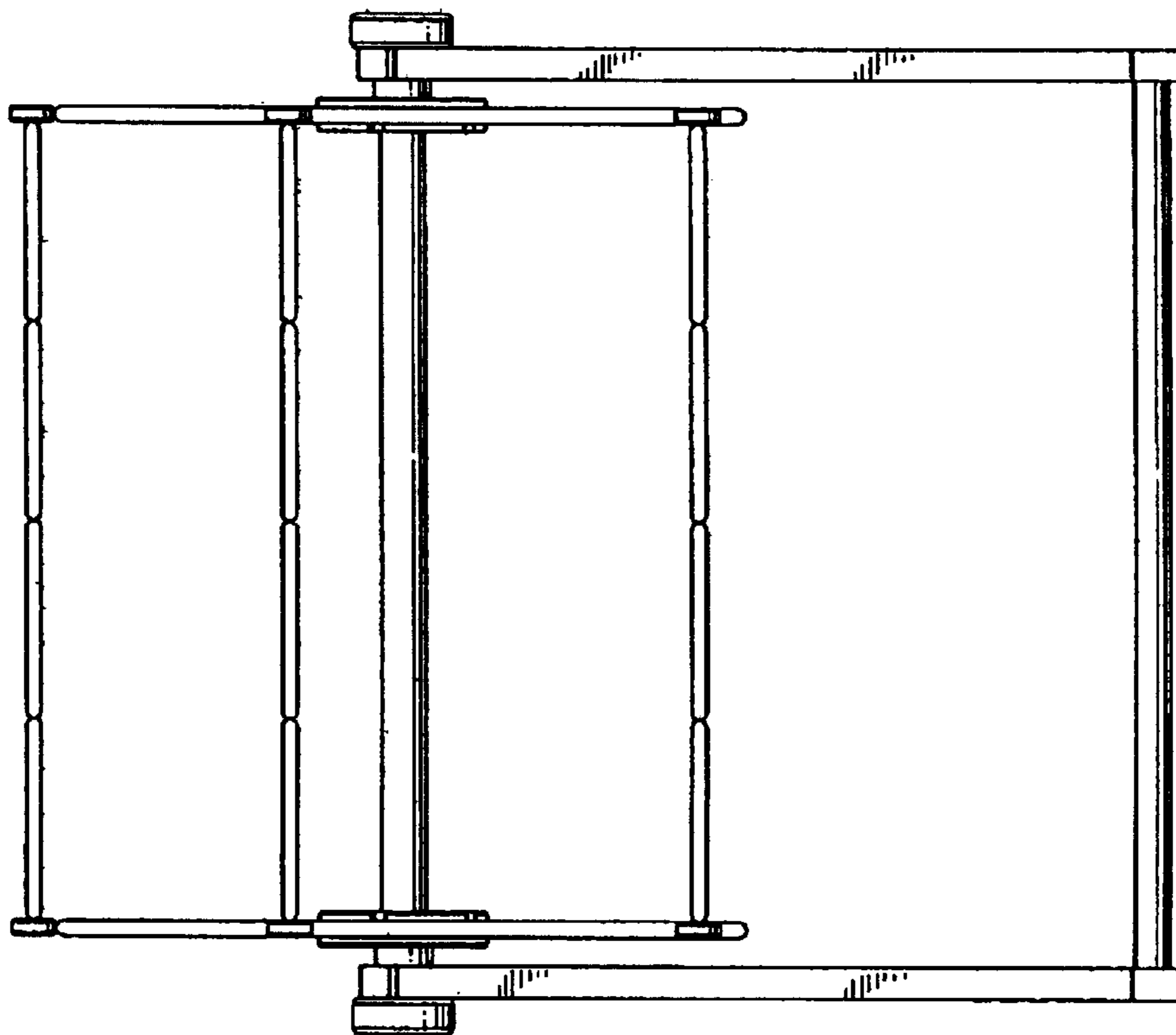


FIG. 6