



US00D508345S

(12) **United States Design Patent**
Mendini

(10) **Patent No.:** **US D508,345 S**

(45) **Date of Patent:** **** Aug. 16, 2005**

(54) **DISPLAY CASE FOR WATCHES AND JEWELRY**

(75) Inventor: **Francesco Mendini**, Milan (IT)

(73) Assignee: **Swatch AG (Swatch S.A.) (Swatch Ltd.)**, Bienne (CH)

(**) Term: **14 Years**

(21) Appl. No.: **29/180,018**

(22) Filed: **Apr. 17, 2003**

(30) **Foreign Application Priority Data**

Oct. 21, 2002 (WO) DM/061 937

(51) **LOC (8) Cl.** **06-04**

(52) **U.S. Cl.** **D6/436**

(58) **Field of Search** D6/432, 436, 437-439,
D6/445, 446, 470-472, 477-479; 312/204,
114, 117

(56) **References Cited**

U.S. PATENT DOCUMENTS

D82,951 S	*	12/1930	Messinger	D6/436
D108,454 S	*	2/1938	Munson	D6/438
D141,016 S	*	4/1945	Stanitz	D6/436
D142,049 S	*	8/1945	Waddell	D6/436
D150,053 S	*	6/1948	Brunmark	D6/436
D290,665 S	*	7/1987	Snodgrass	D6/446
D317,234 S	*	6/1991	Ruck	D6/553

D446,406 S * 8/2001 Aeberhard D6/441

* cited by examiner

Primary Examiner—Cathron Brooks

(74) *Attorney, Agent, or Firm*—Collen IP; Donald J. Ranft

(57) **CLAIM**

The ornamental design for a display case for watches and jewelry, as shown and described.

DESCRIPTION

FIG. 1 is a rear view of a first embodiment of a display case for watches and jewelry

FIG. 2 is a front view thereof;

FIG. 3 is a top view thereof;

FIG. 4 is a bottom view thereof;

FIG. 5 is a left side view thereof;

FIG. 6 is a right side view thereof;

FIG. 7 is a front perspective view thereof;

FIG. 8 is a rear perspective view thereof;

FIG. 9 is a rear view of a second embodiment of a display case for watches and jewelry;

FIG. 10 is a front view of FIG. 9;

FIG. 11 is a top view of FIG. 9;

FIG. 12 is a bottom view of FIG. 9;

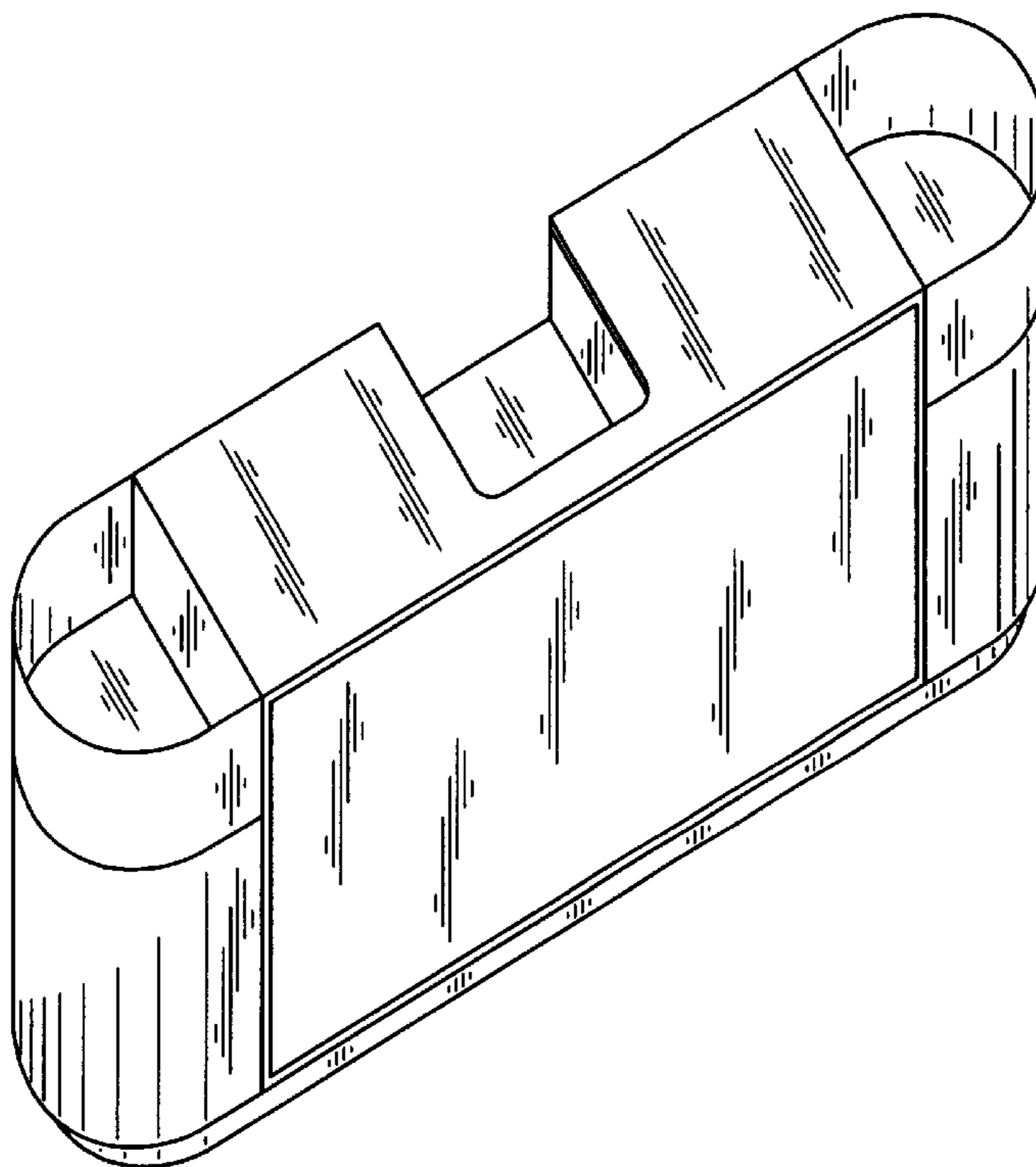
FIG. 13 is a left side view of FIG. 9;

FIG. 14 is a right side view of FIG. 9;

FIG. 15 is a front perspective view of FIG. 9; and,

FIG. 16 is a rear perspective view of FIG. 9.

1 Claim, 6 Drawing Sheets



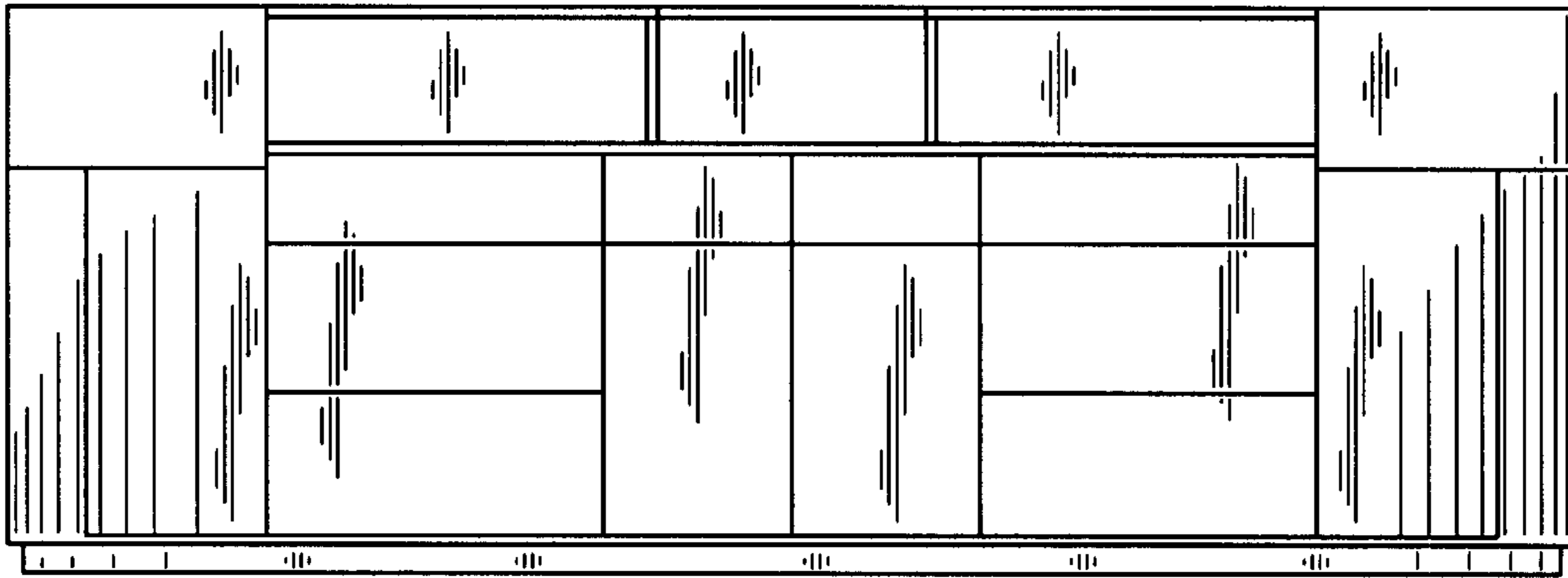


FIG. 1

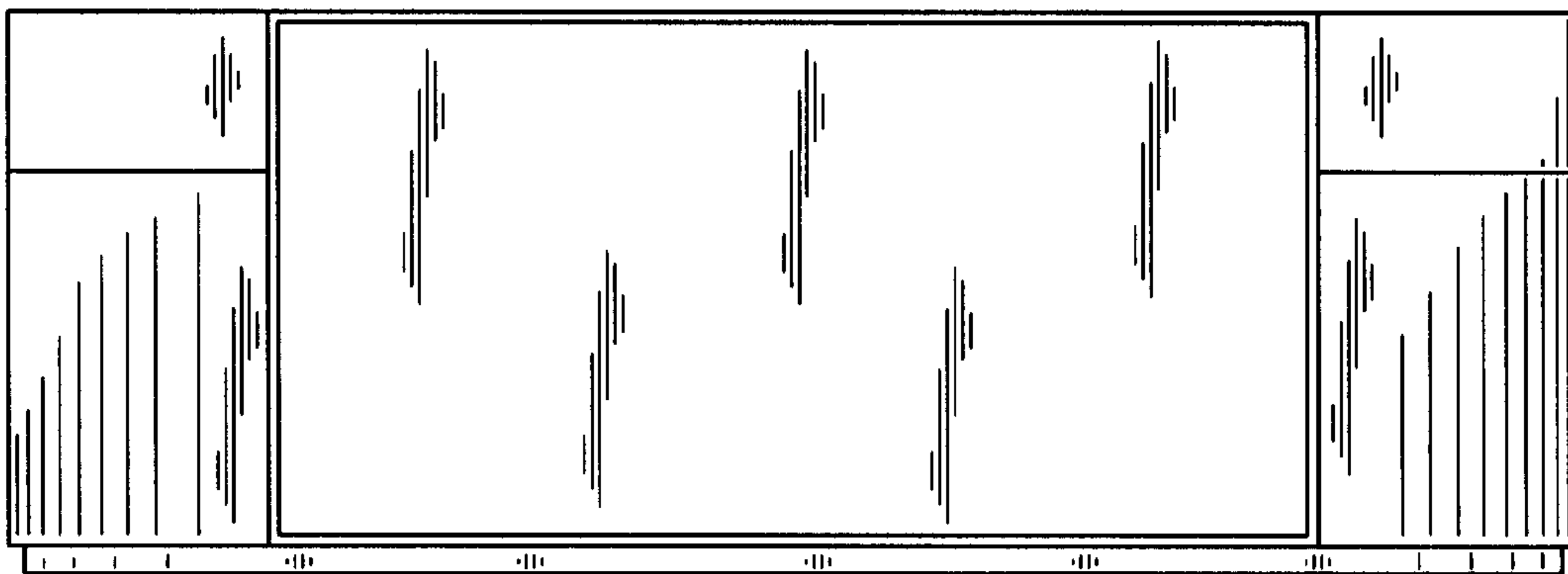


FIG. 2

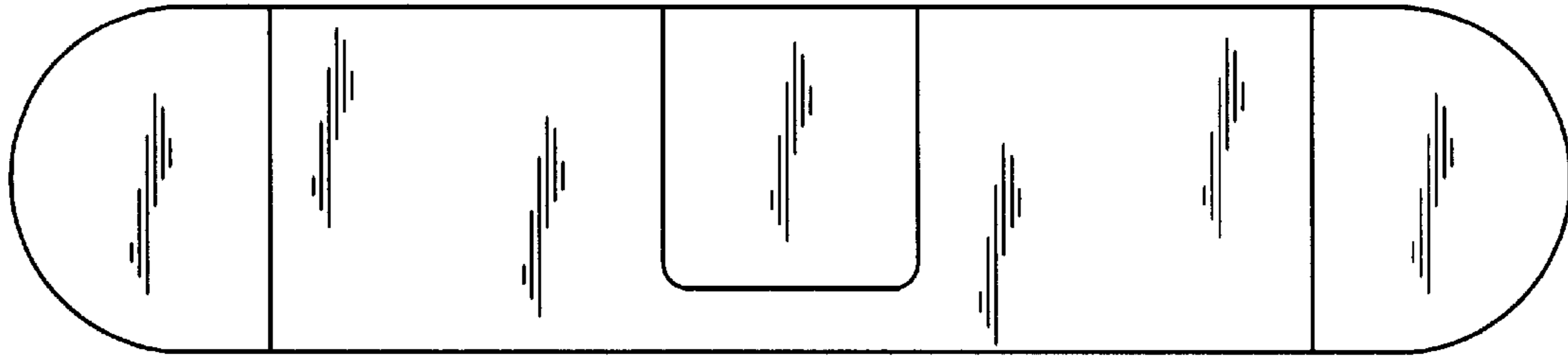


FIG. 3



FIG. 4

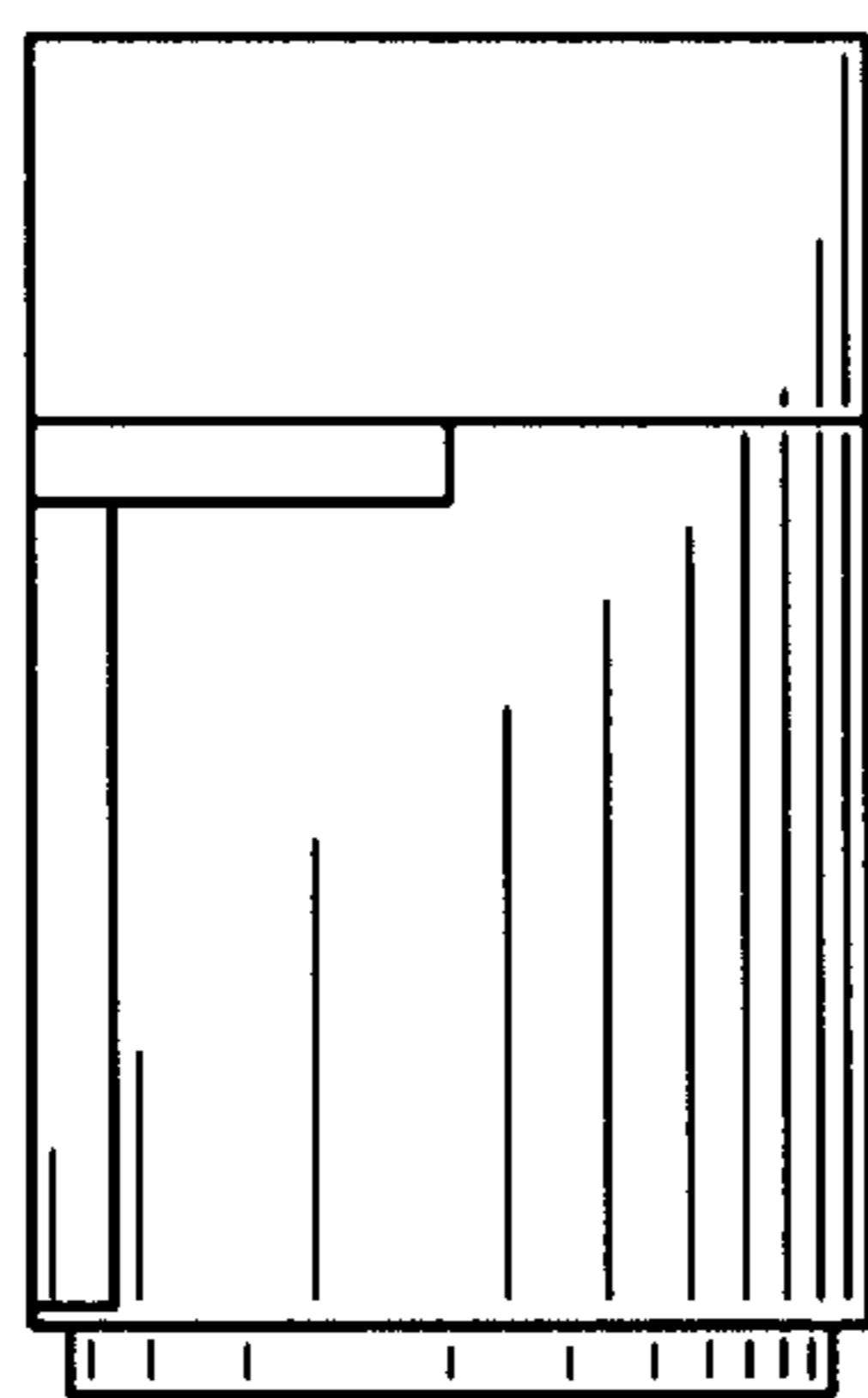


FIG. 5

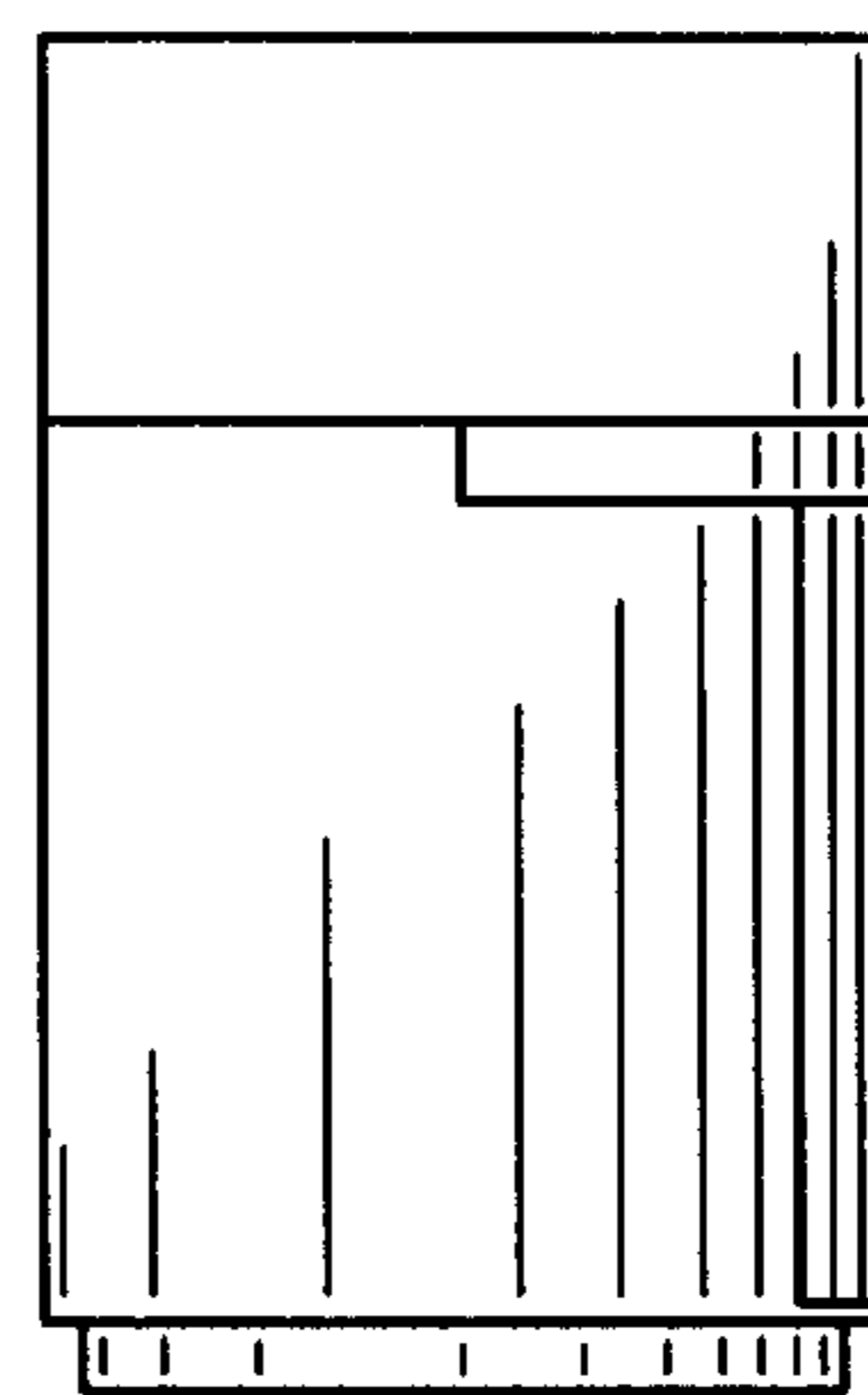


FIG. 6

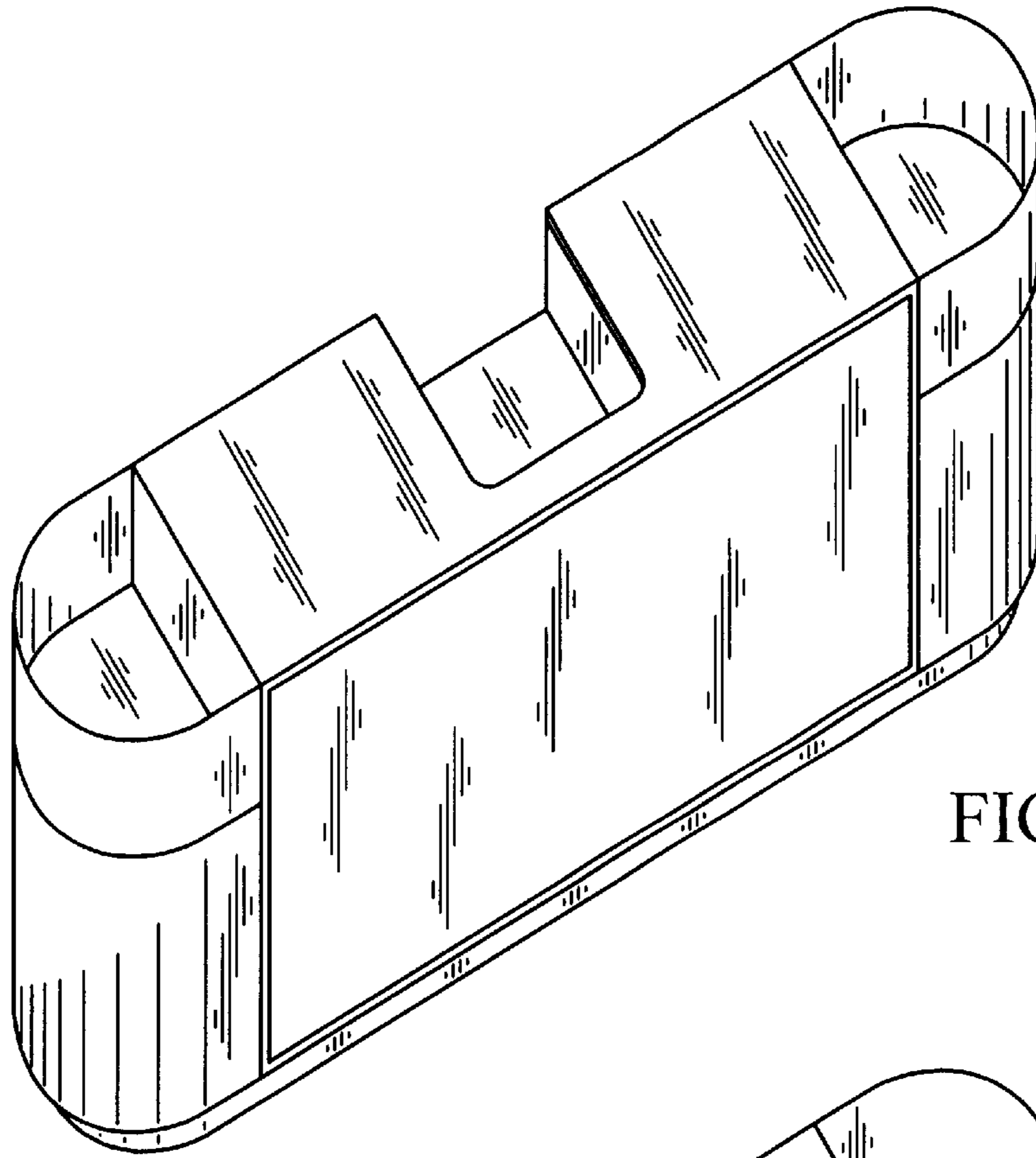


FIG. 7

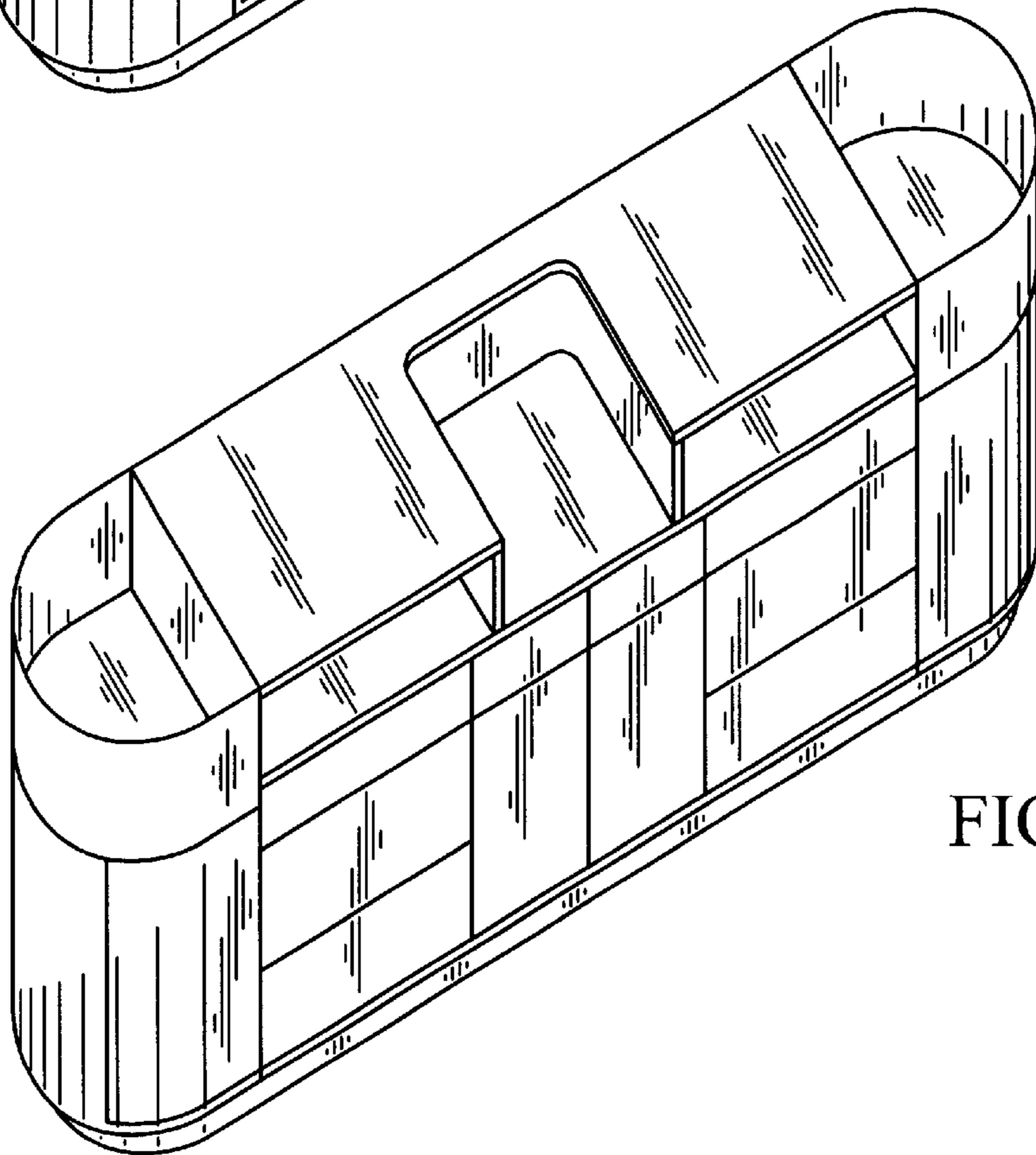


FIG. 8

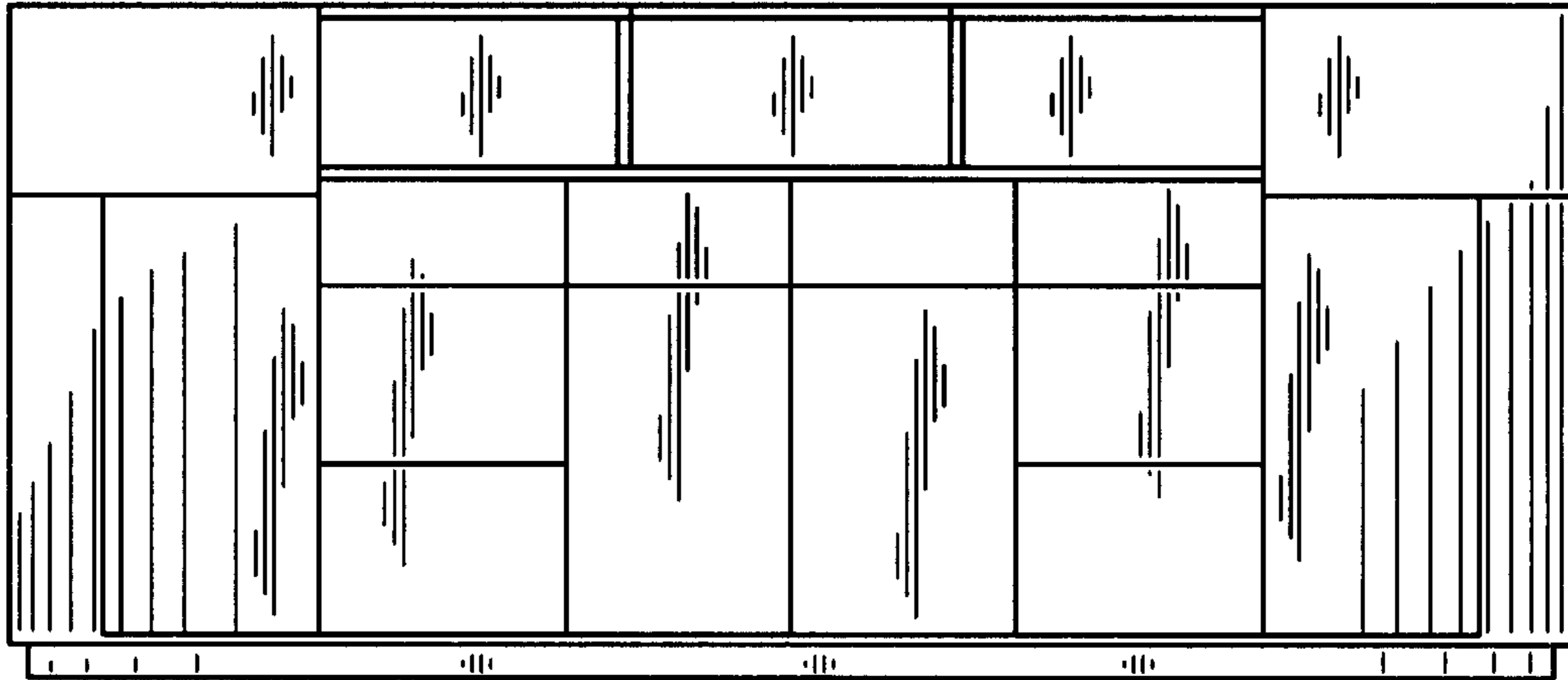


FIG. 9

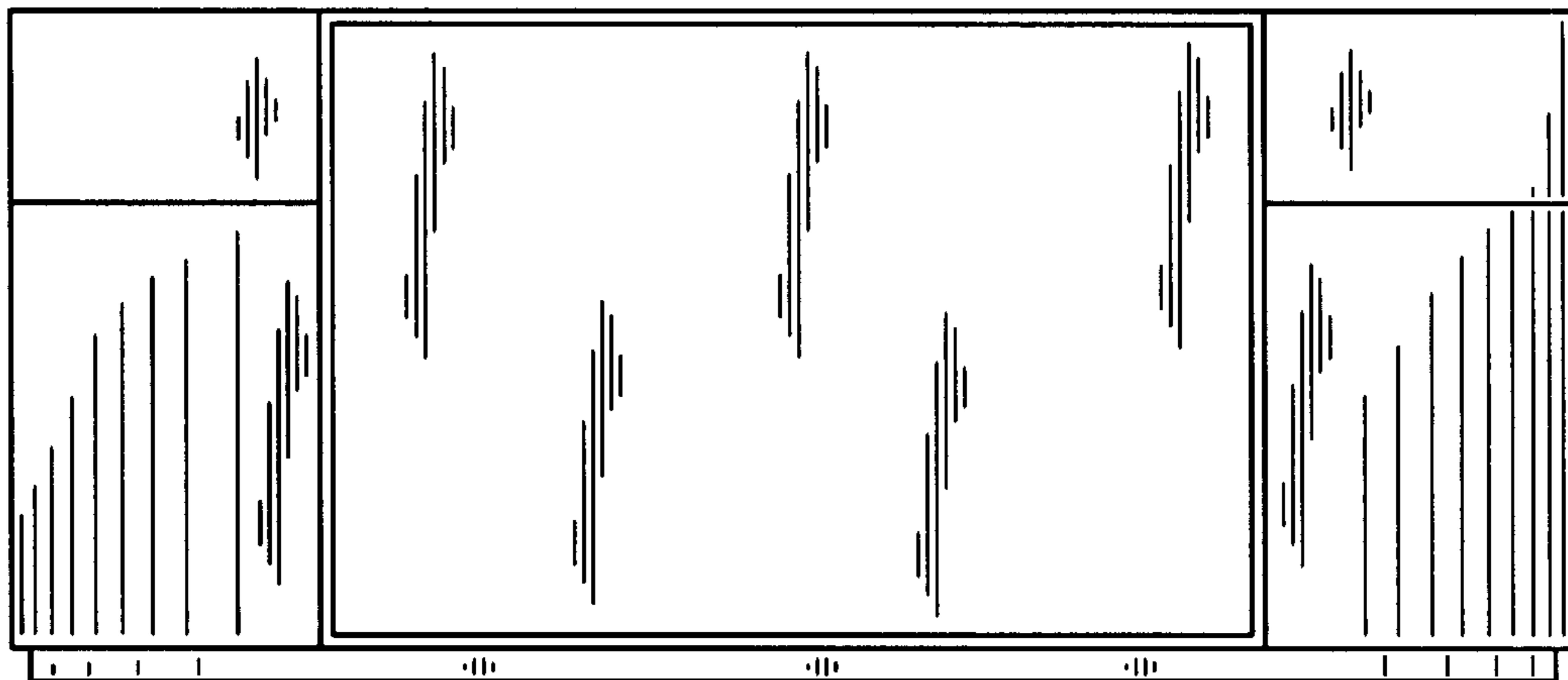


FIG. 10

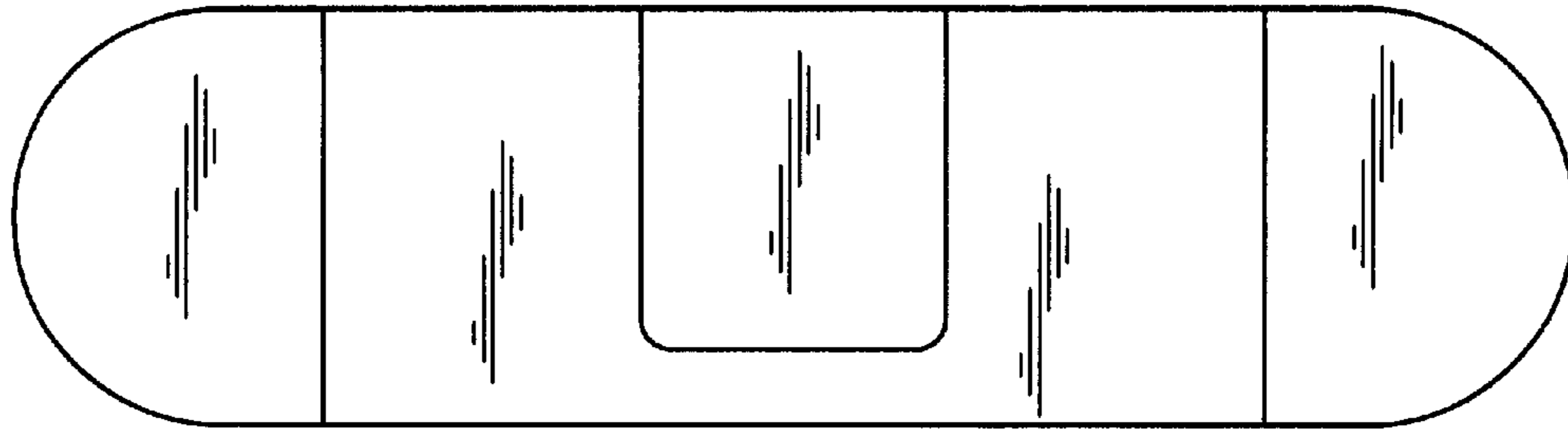


FIG. 11

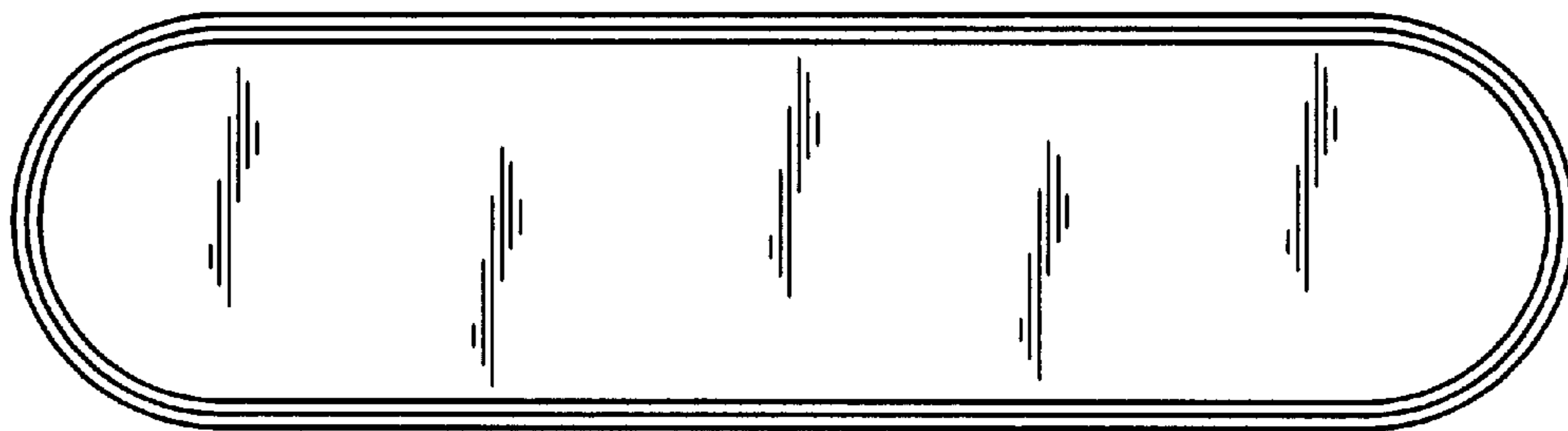


FIG. 12

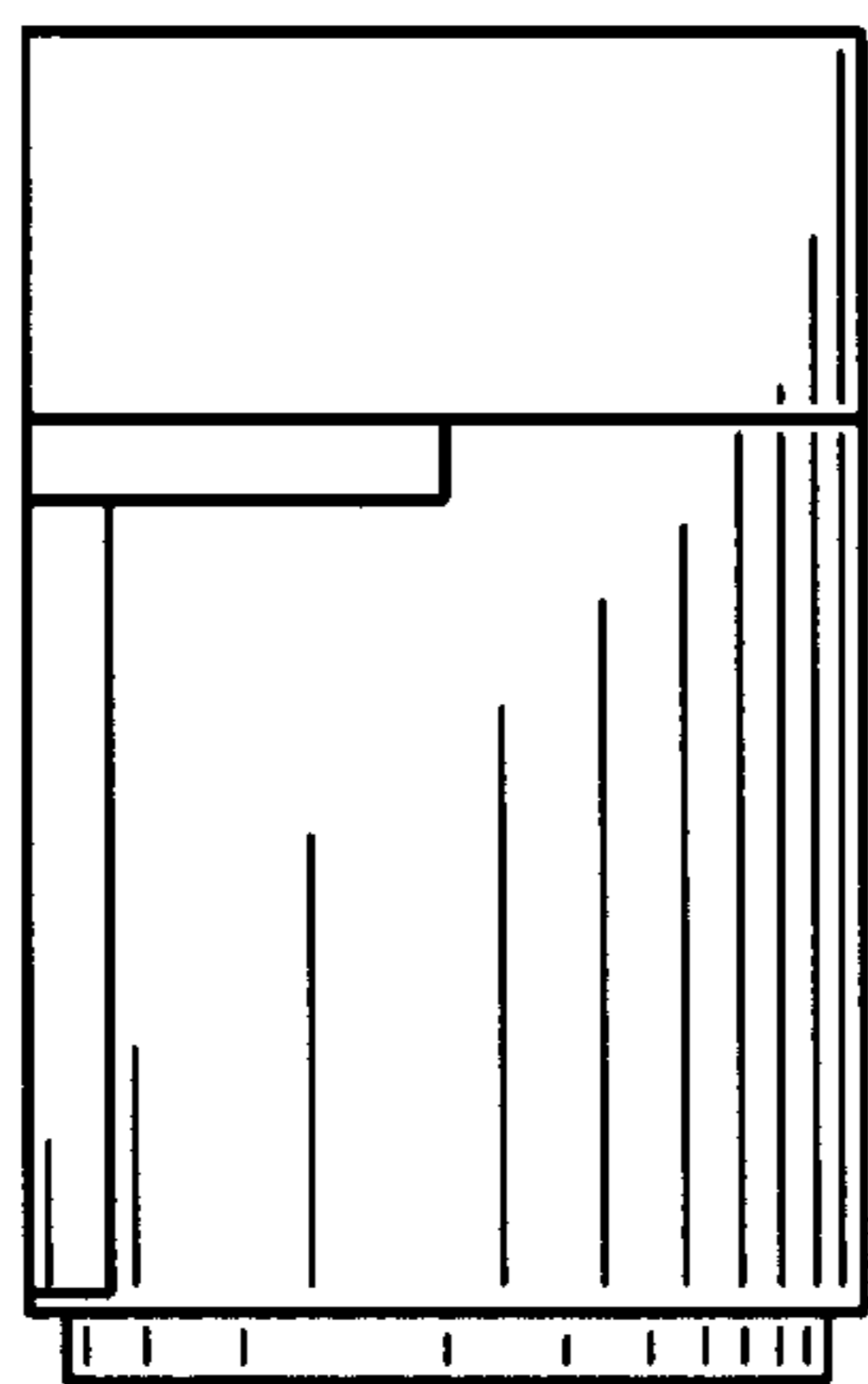


FIG. 13

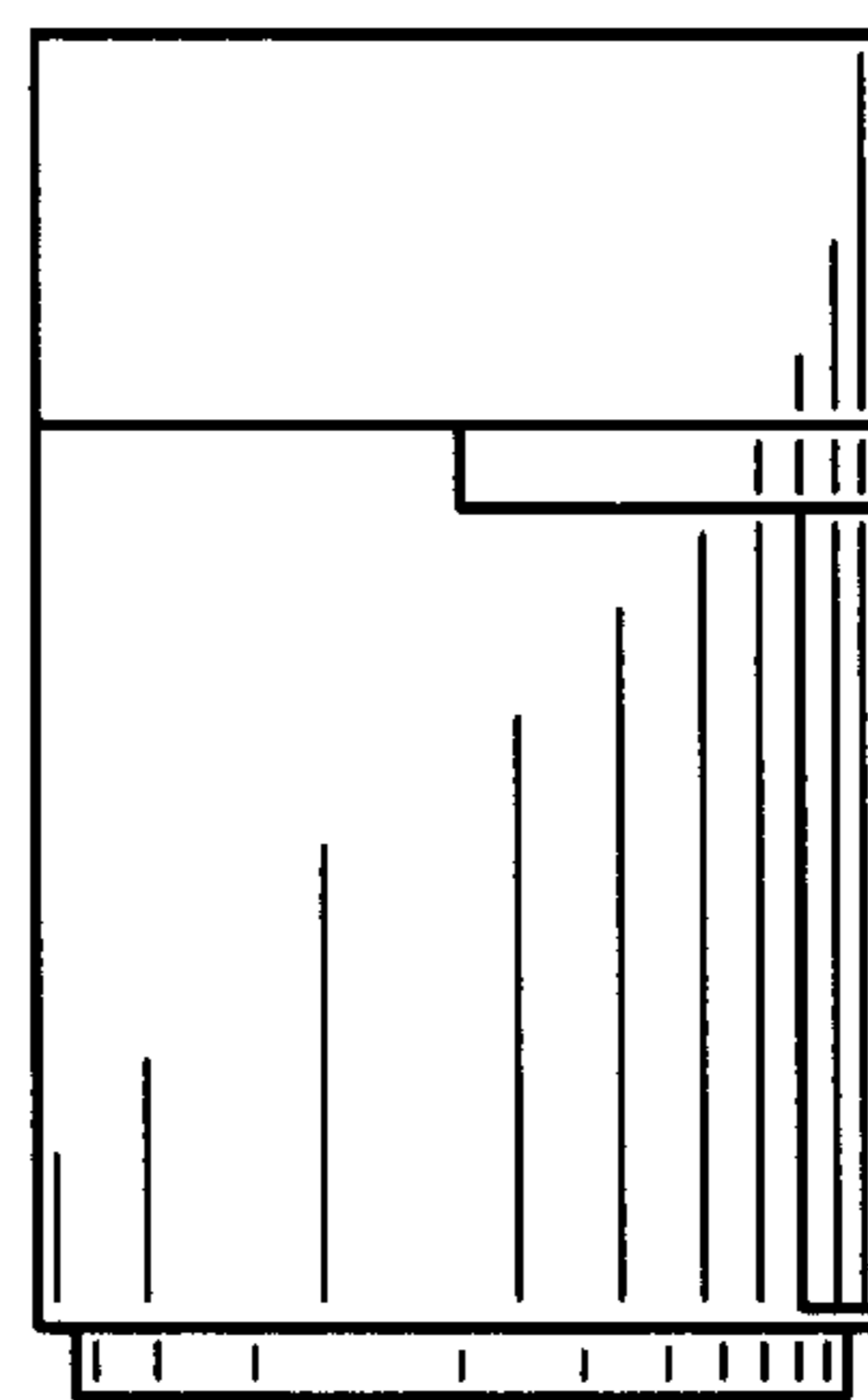


FIG. 14

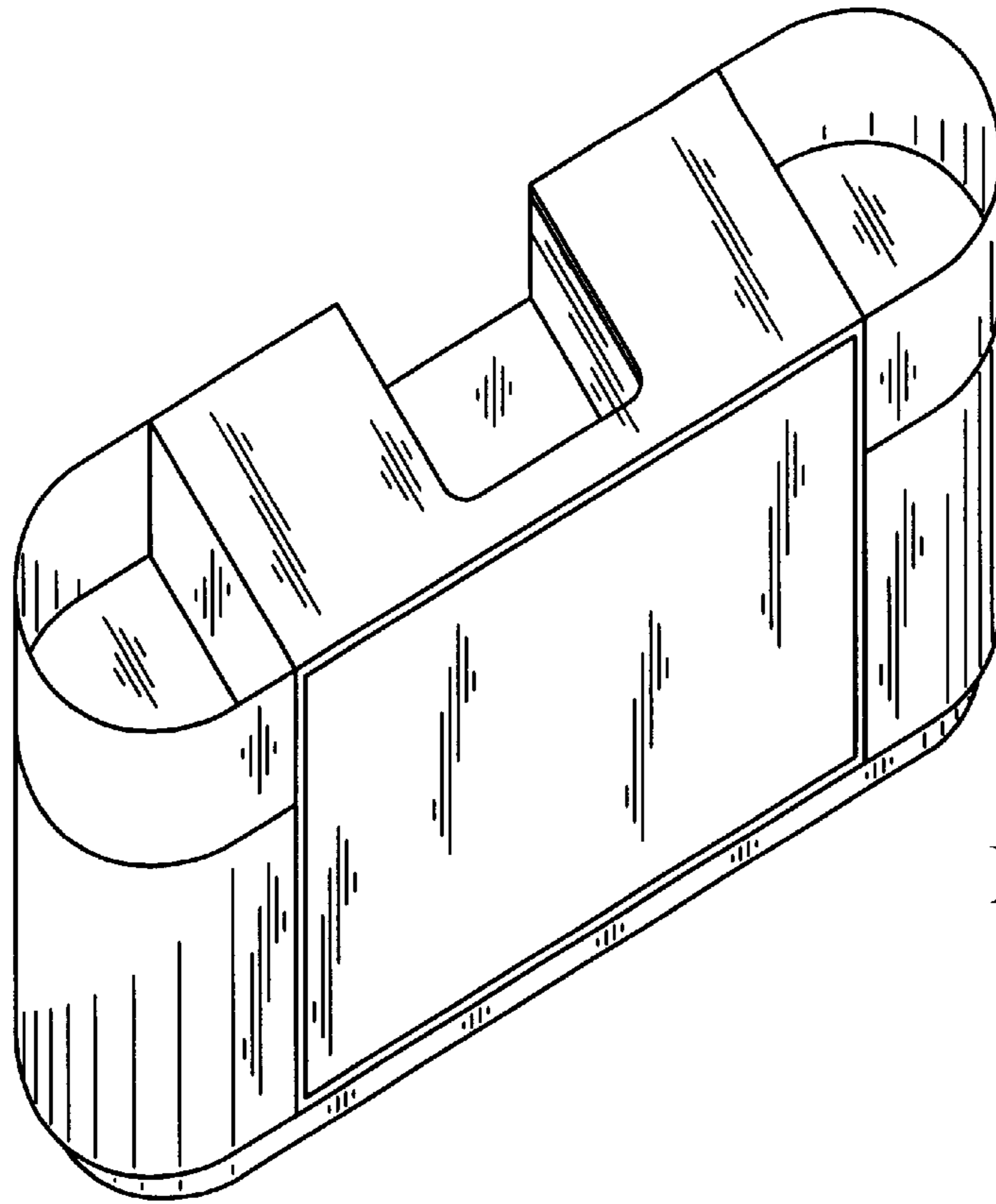


FIG. 15

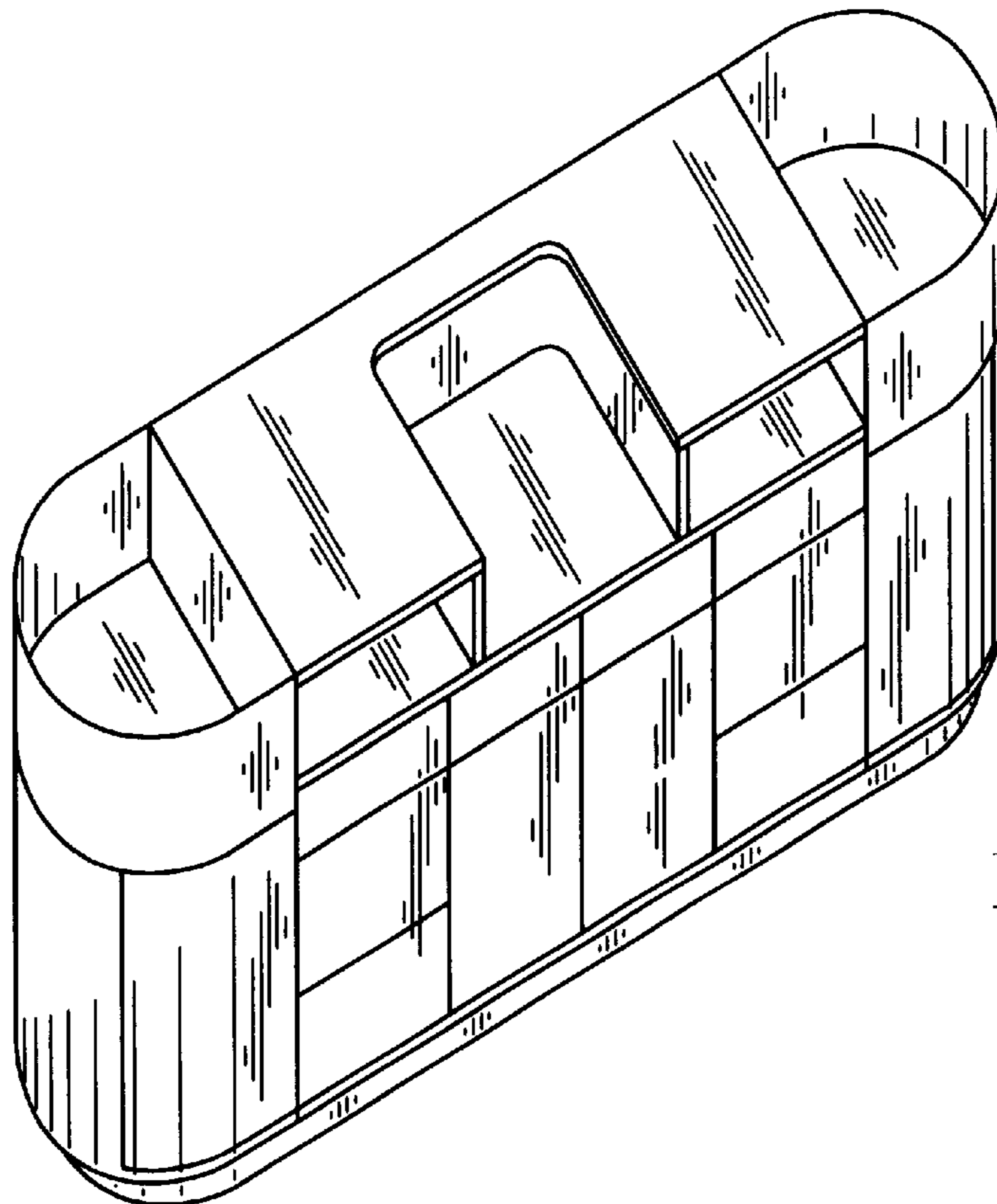


FIG. 16