



US00D508342S

(12) **United States Design Patent**
Citrenbaum

(10) **Patent No.:** **US D508,342 S**

(45) **Date of Patent:** **** Aug. 16, 2005**

(54) **RACK FORMED FROM SKATEBOARD
PIECES**

(76) **Inventor:** **Mathew Citrenbaum**, 11400 Bustleton
Ave., Philadelphia, PA (US) 19116

(**) **Term:** **14 Years**

(21) **Appl. No.:** **29/212,166**

(22) **Filed:** **Aug. 27, 2004**

(51) **LOC (8) Cl.** **08-08**

(52) **U.S. Cl.** **D6/411**

(58) **Field of Search** D6/411, 552, 566,
D6/367, 567, 572; 211/4, 13, 87, 60.1;
70/58; 248/551, 552

(56) **References Cited**

U.S. PATENT DOCUMENTS

D342,637 S	*	12/1993	Smith	D6/552
5,301,818 A	*	4/1994	Dix	211/85.7
5,305,897 A	*	4/1994	Smith	211/85.7
D354,872 S	*	1/1995	Dix	D6/552
D383,346 S	*	9/1997	Whitehead et al.	D6/552
D396,371 S	*	7/1998	Oliver	D6/552
D417,353 S	*	12/1999	Laga	D6/566

6,230,526 B1	*	5/2001	Fontes et al.	70/18
6,293,412 B1	*	9/2001	Draper	211/4
6,491,169 B1	*	12/2002	Salonen	211/4
D472,091 S	*	3/2003	Bell	D6/552
D472,751 S	*	4/2003	Doscher	D6/552
6,640,978 B2	*	11/2003	Reiser et al.	211/4

* cited by examiner

Primary Examiner—Joel A. Sincavage

Assistant Examiner—Terrence Huang

(74) *Attorney, Agent, or Firm*—Volpe and Koenig, P.C.

(57) **CLAIM**

The ornamental design for a rack formed from skateboard pieces, as shown and described.

DESCRIPTION

FIG. 1 is a front top perspective view of a rack showing my new design;

FIG. 2 is a rear bottom perspective view thereof;

FIG. 3 is a top plan view thereof;

FIG. 4 is a front elevational view thereof;

FIG. 5 is a bottom plan view thereof;

FIG. 6 is a rear elevational view thereof; and,

FIG. 7 is a side elevational view thereof.

1 Claim, 4 Drawing Sheets

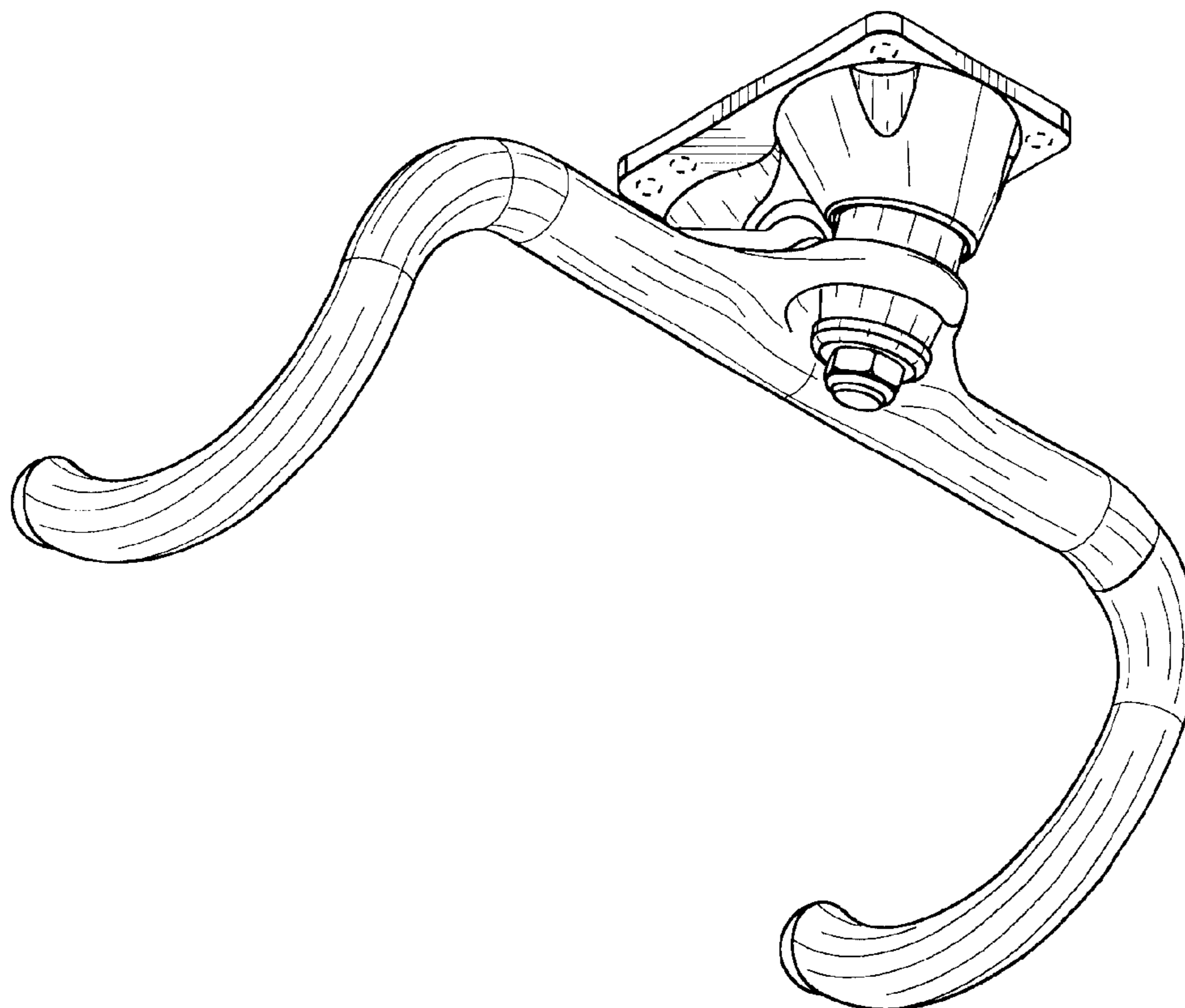


FIG. 1

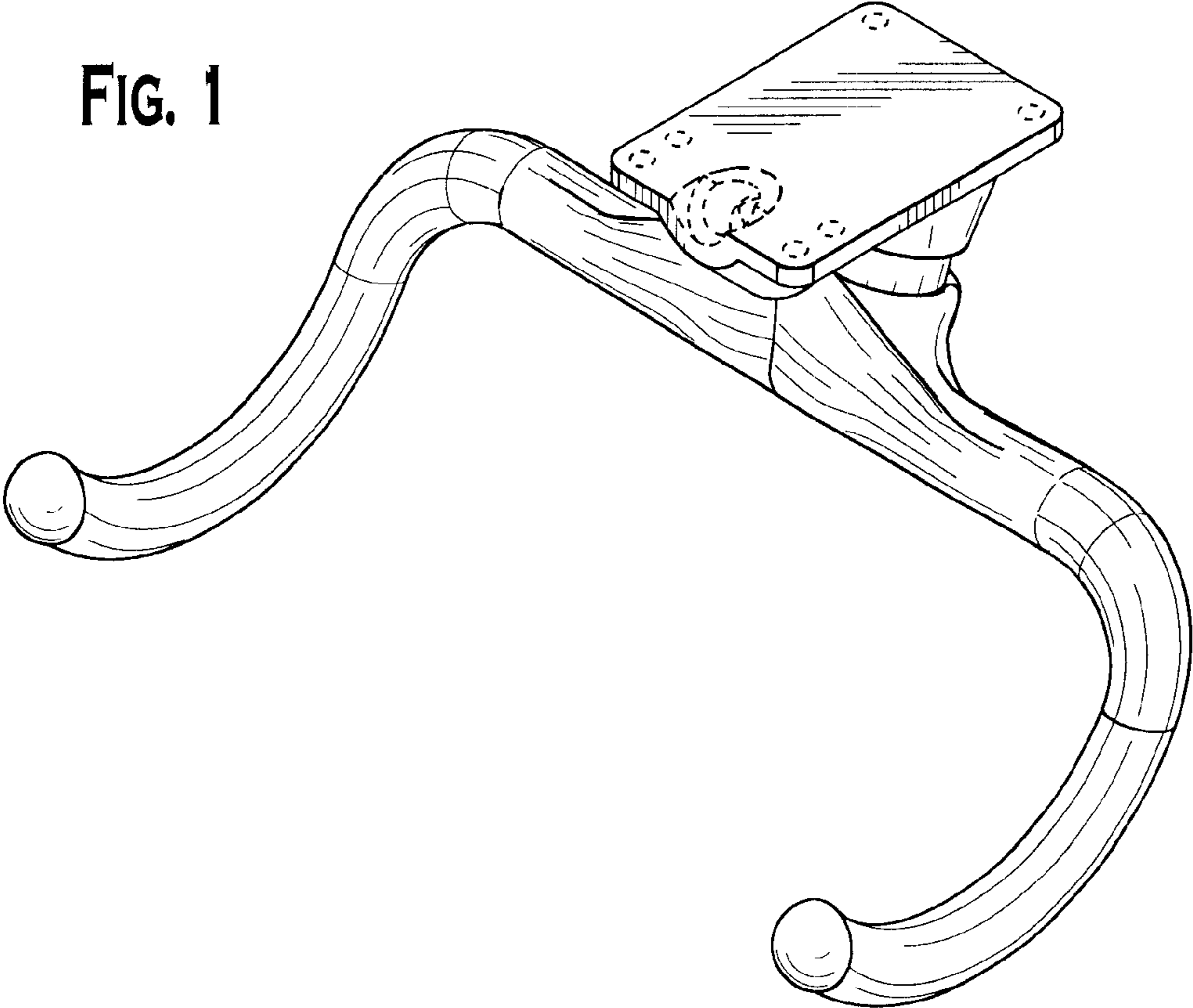


FIG. 2

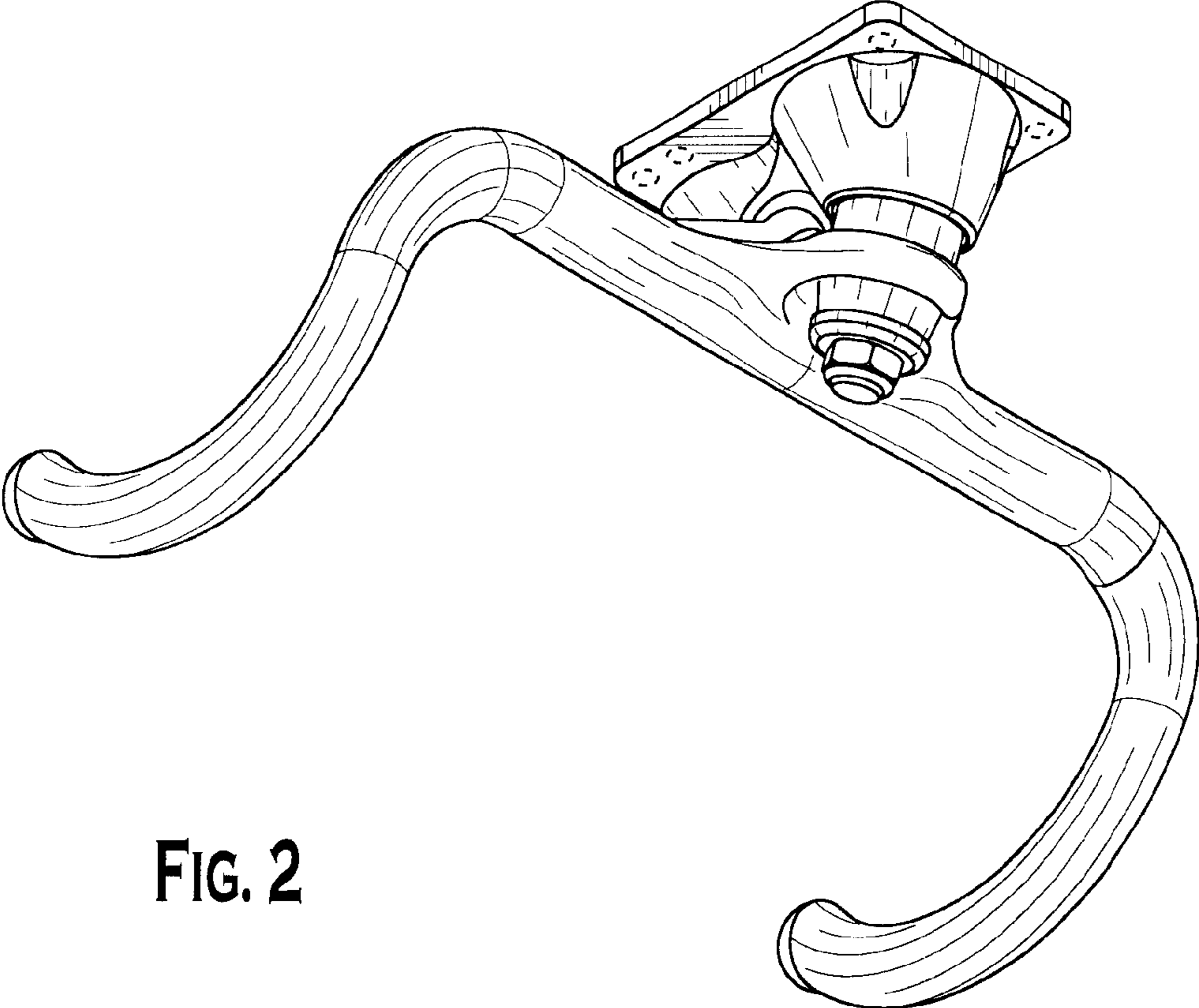


FIG. 3

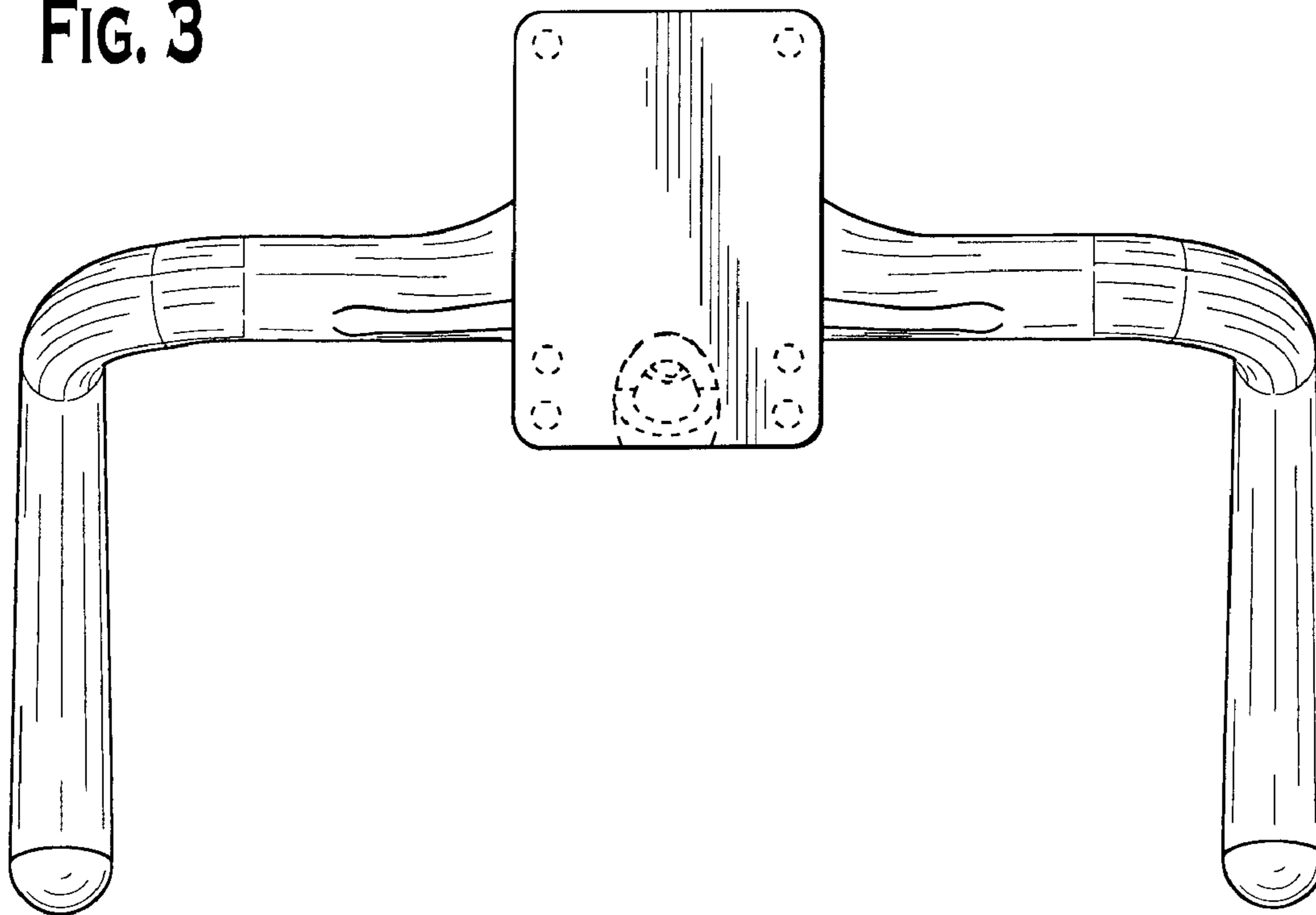
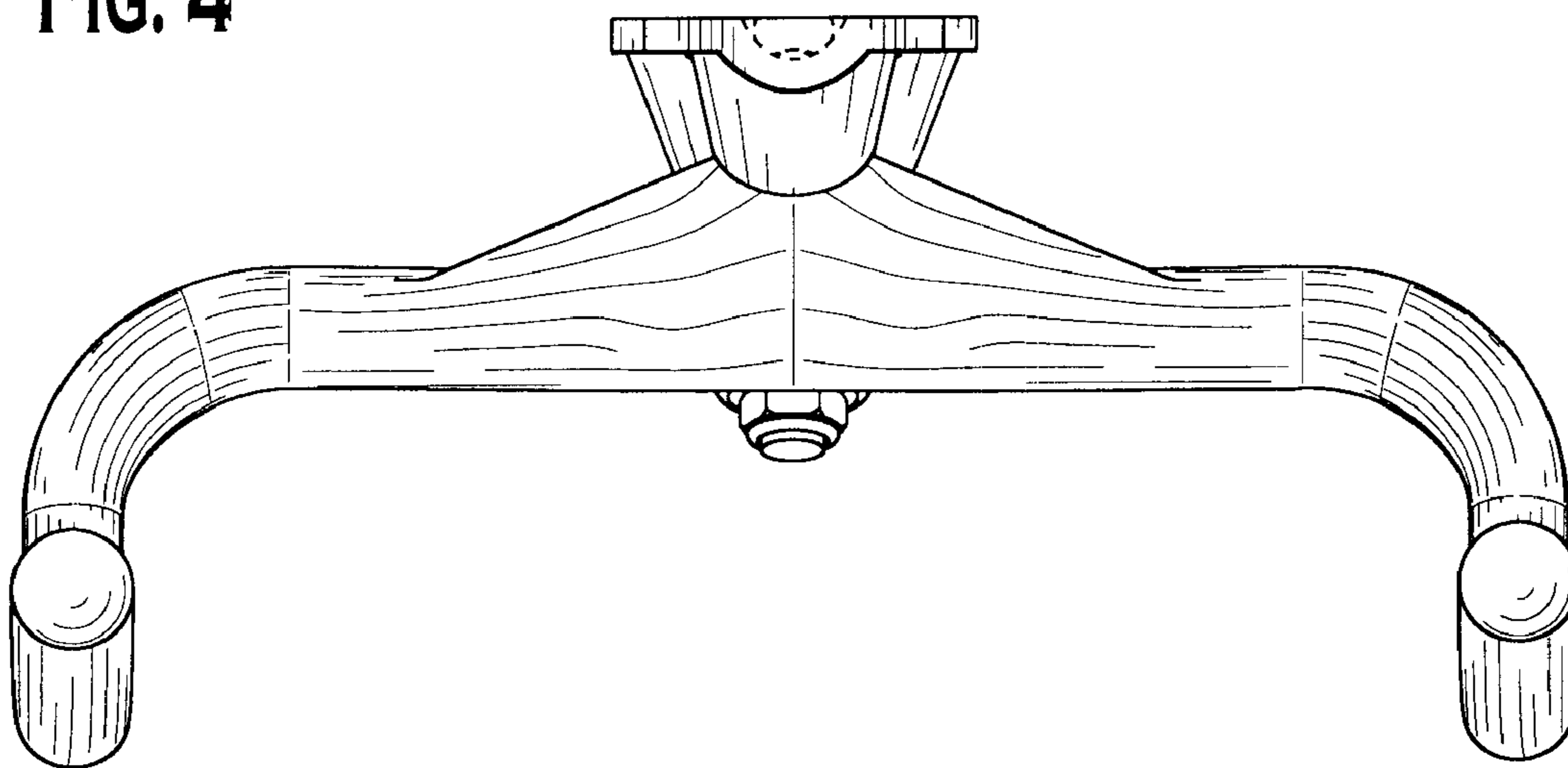


FIG. 4



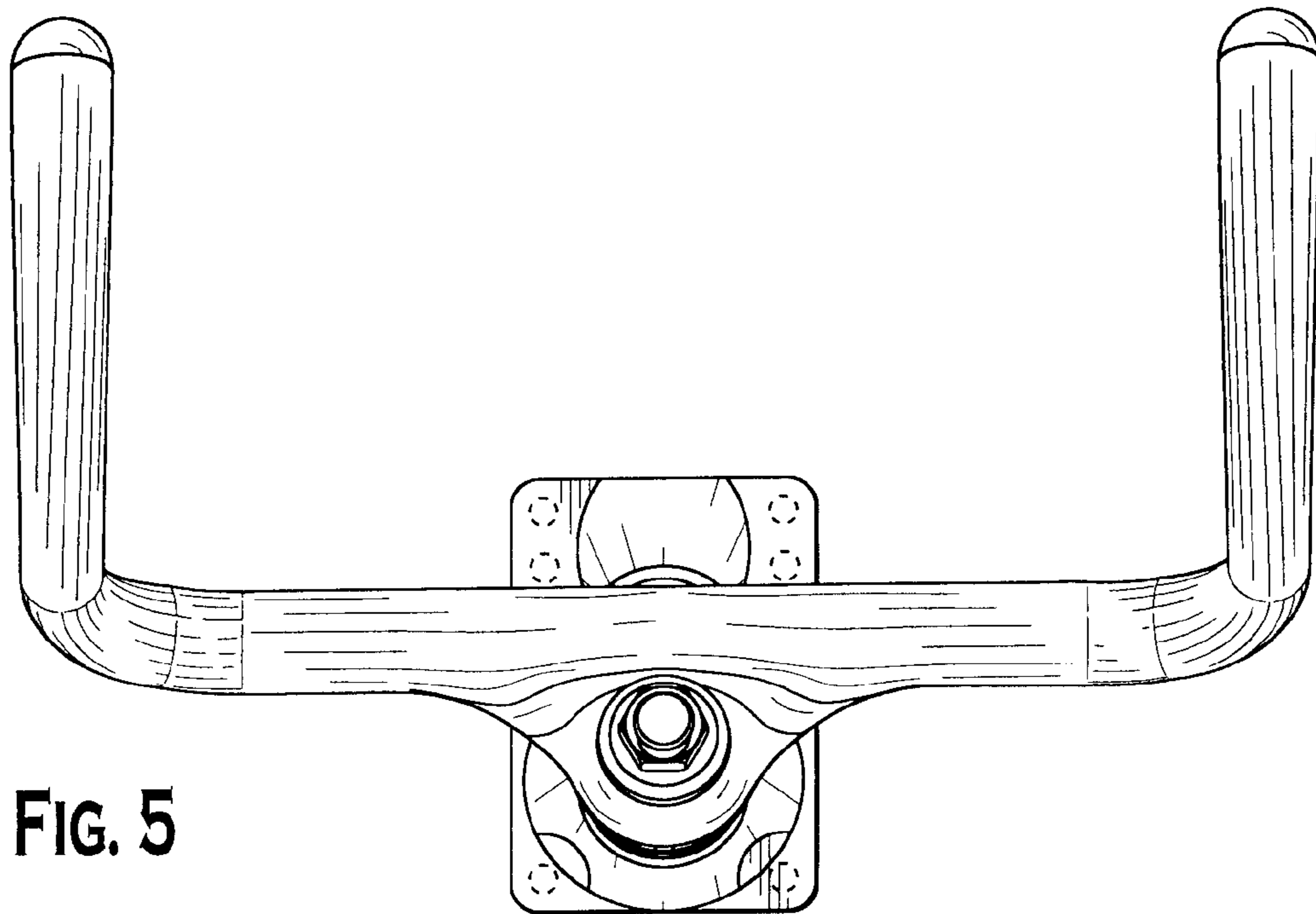


FIG. 5

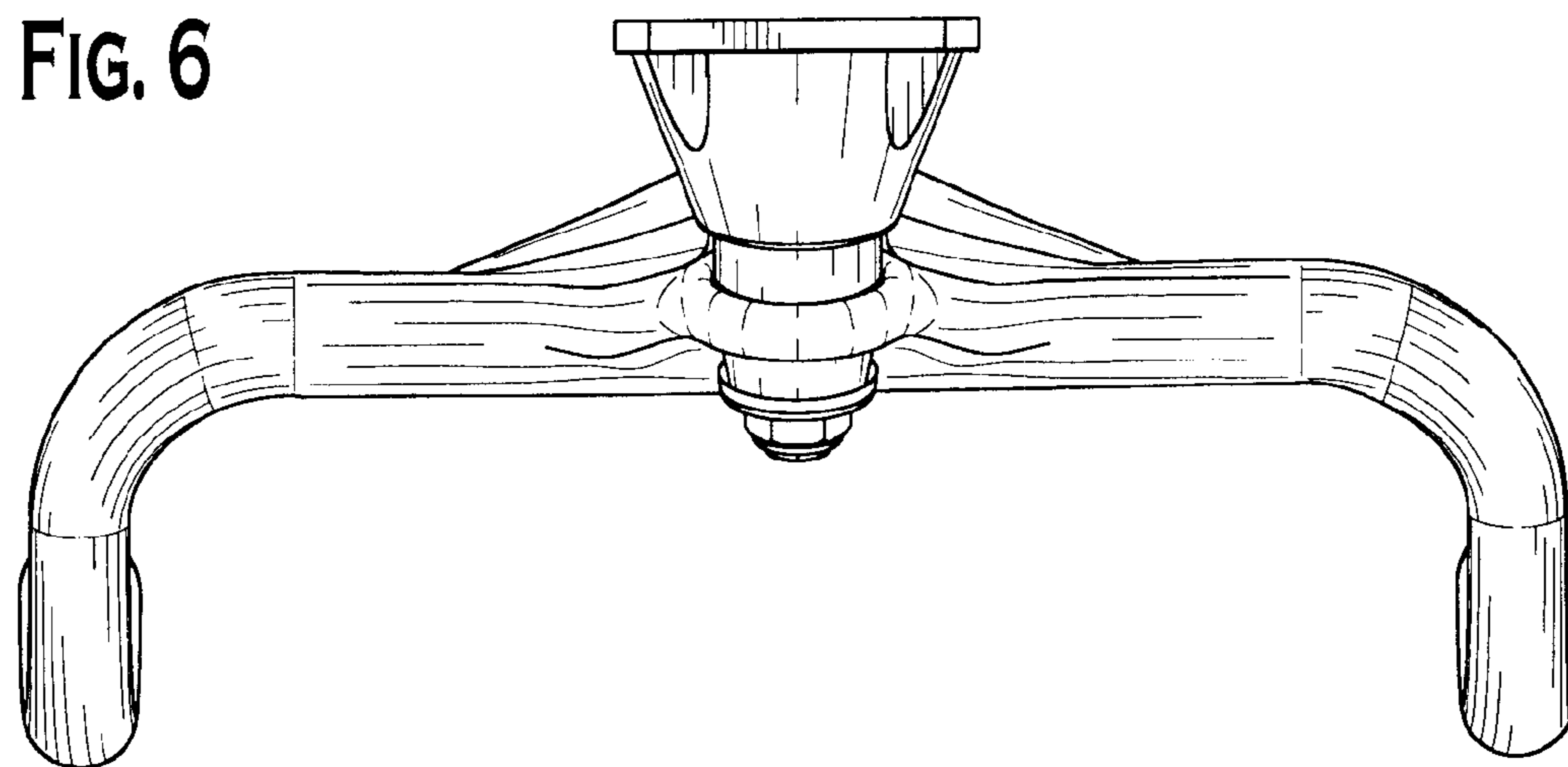


FIG. 6

FIG. 7

