

US00D508341S

(12) **United States Design Patent**
Juneau et al.

(10) **Patent No.:** **US D508,341 S**

(45) **Date of Patent:** **** Aug. 16, 2005**

(54) **PORTION OF A BED**

D495,521 S * 9/2004 Dordoni D6/393

(75) Inventors: **Alain Juneau**, St-Jean-Chrysostome
(CA); **Ivan Lacroix**, Sainte-Marie (CA)

* cited by examiner

Primary Examiner—Janice E. Seeger

(73) Assignee: **Baronet, Inc.** (CA)

(74) *Attorney, Agent, or Firm*—SAIDMAN DesignLaw
Group

(**) Term: **14 Years**

(57) **CLAIM**

(21) Appl. No.: **29/202,144**

The ornamental design for a portion of a bed, as shown and
described.

(22) Filed: **Mar. 26, 2004**

DESCRIPTION

(51) **LOC (8) Cl.** **06-01**

(52) **U.S. Cl.** **D6/393**

(58) **Field of Search** D6/382–384, 388,
D6/389, 392–395, 505, 508; 5/53.1, 9.1,
279.1, 280, 281, 907, 310

FIG. 1 is a front, perspective view of a portion of a bed
showing our new design;

FIG. 2 is a rear, perspective view thereof;

FIG. 3 is a front view thereof;

FIG. 4 is a back view thereof; and,

FIG. 5 is a right-side view thereof, the left-side view being
a mirror image.

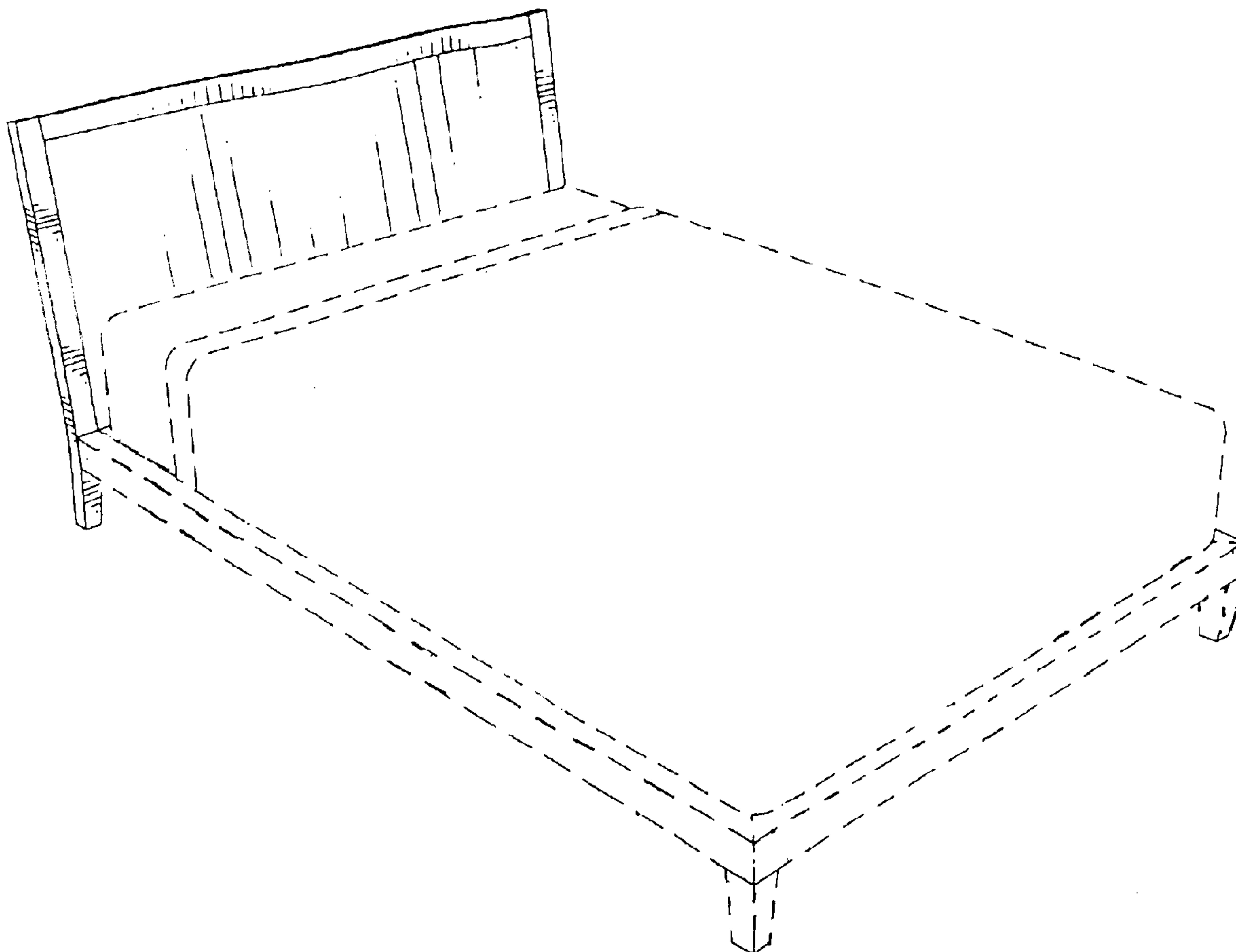
(56) **References Cited**

U.S. PATENT DOCUMENTS

D126,986 S	*	5/1941	Miller	D6/505
D152,894 S	*	3/1949	Lubberts et al.	D6/394
D417,973 S	*	12/1999	Lacroix et al.	D6/393
D431,730 S	*	10/2000	Zorzetto	D6/393
D451,696 S	*	12/2001	Boerner et al.	D6/393

The broken lines in the drawings, showing portions of a
frame, supports for a mattress and holes, represent environ-
mental subject matter and form no part of the claimed
design.

1 Claim, 5 Drawing Sheets



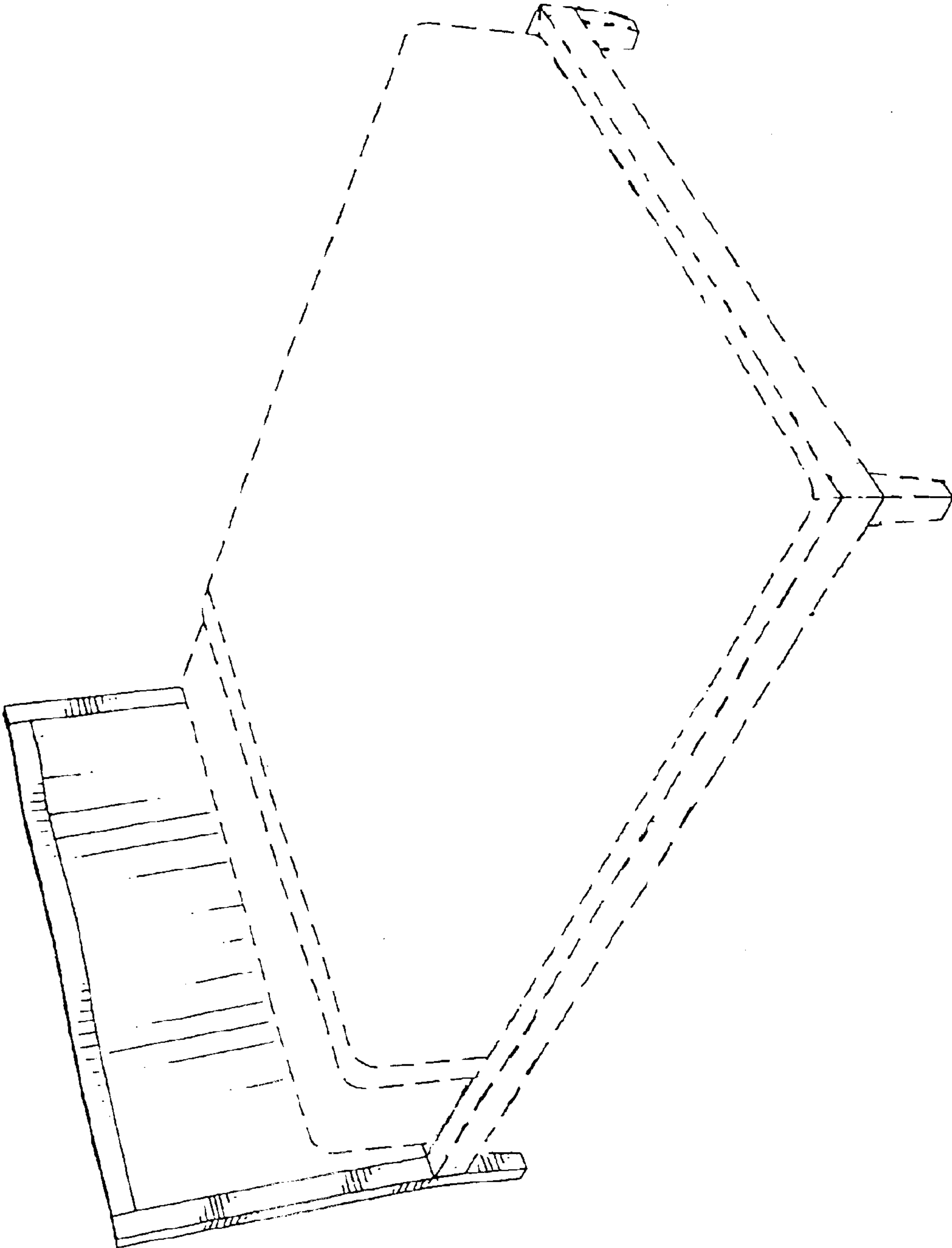


FIG. 1

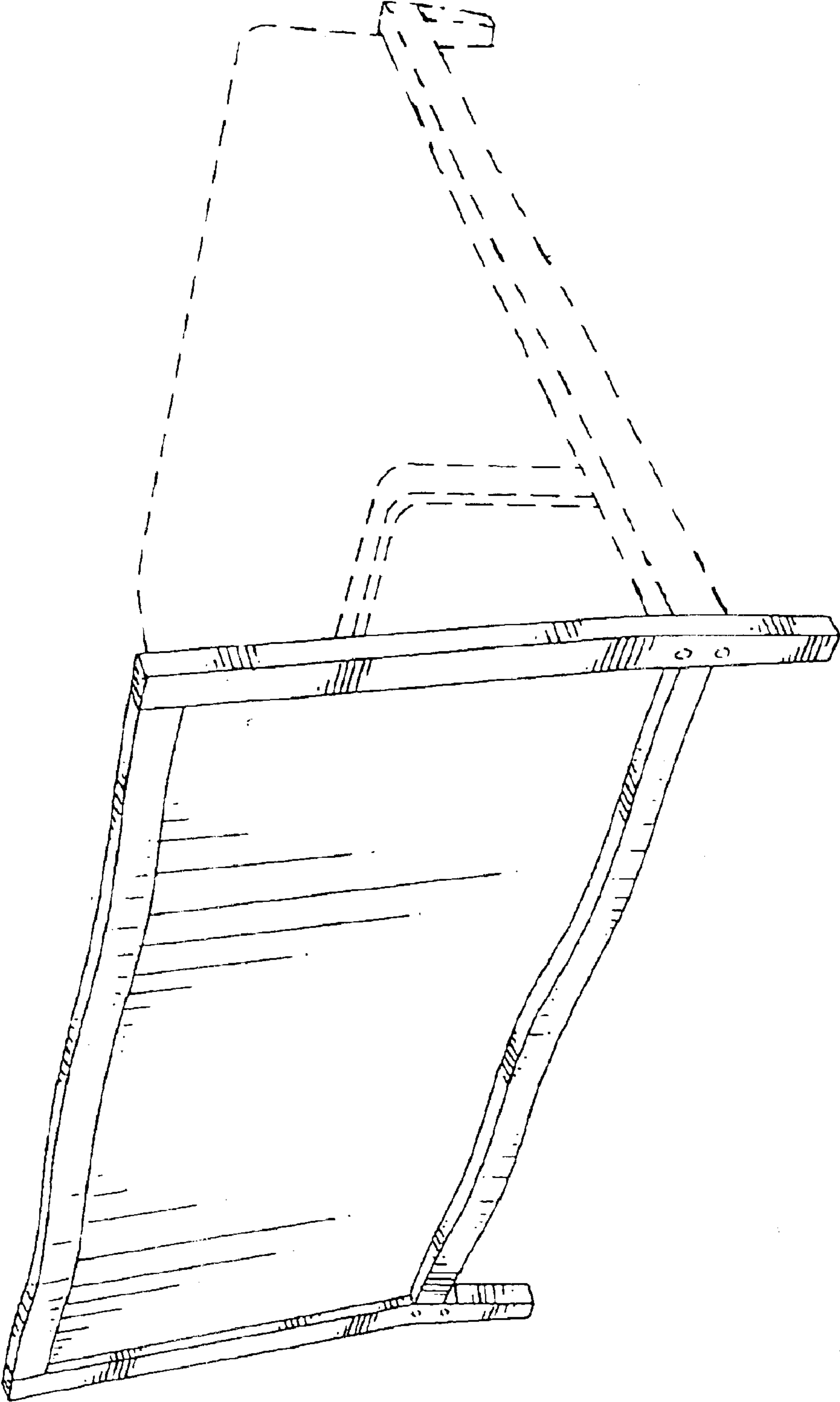


FIG.2

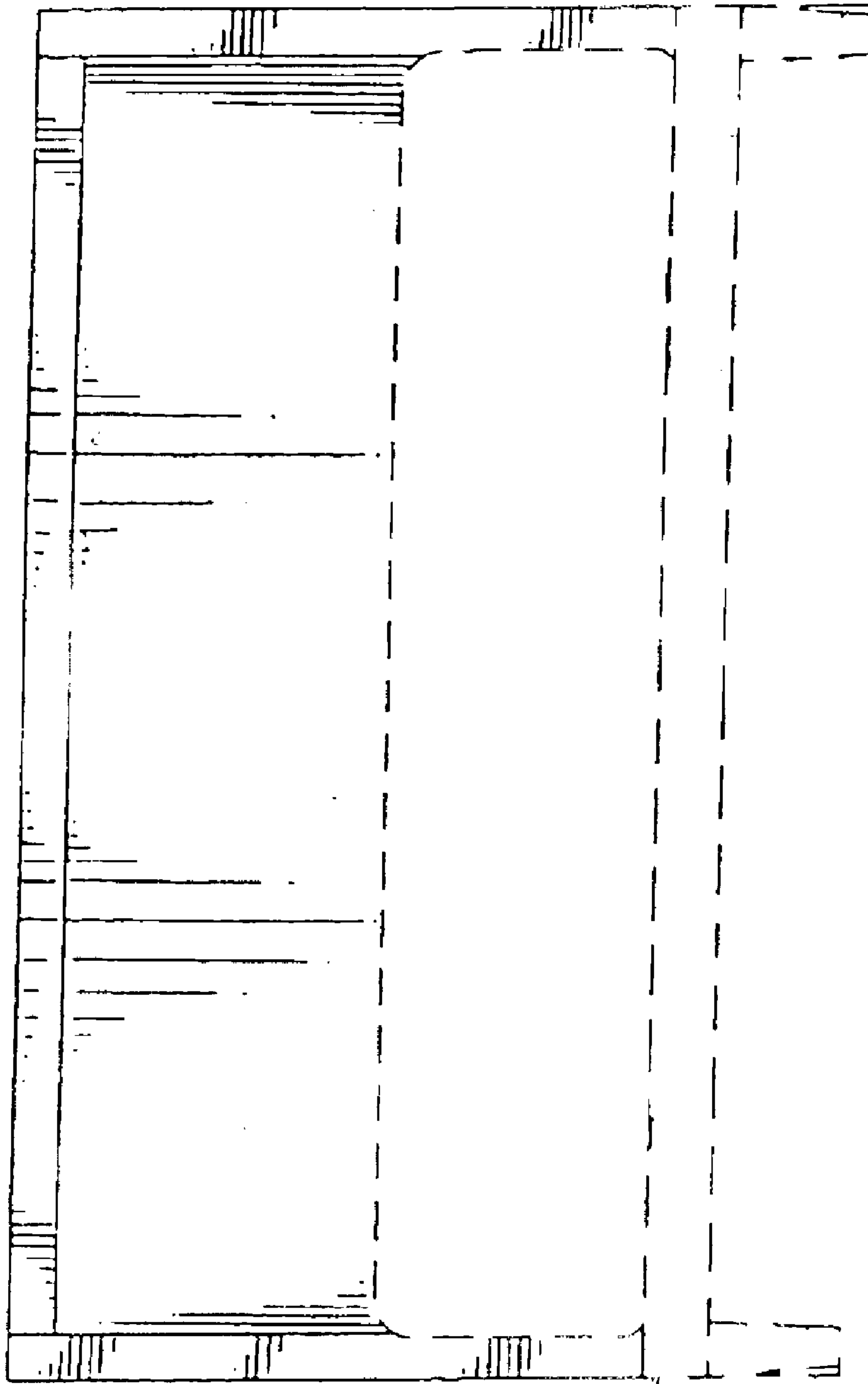


FIG. 3

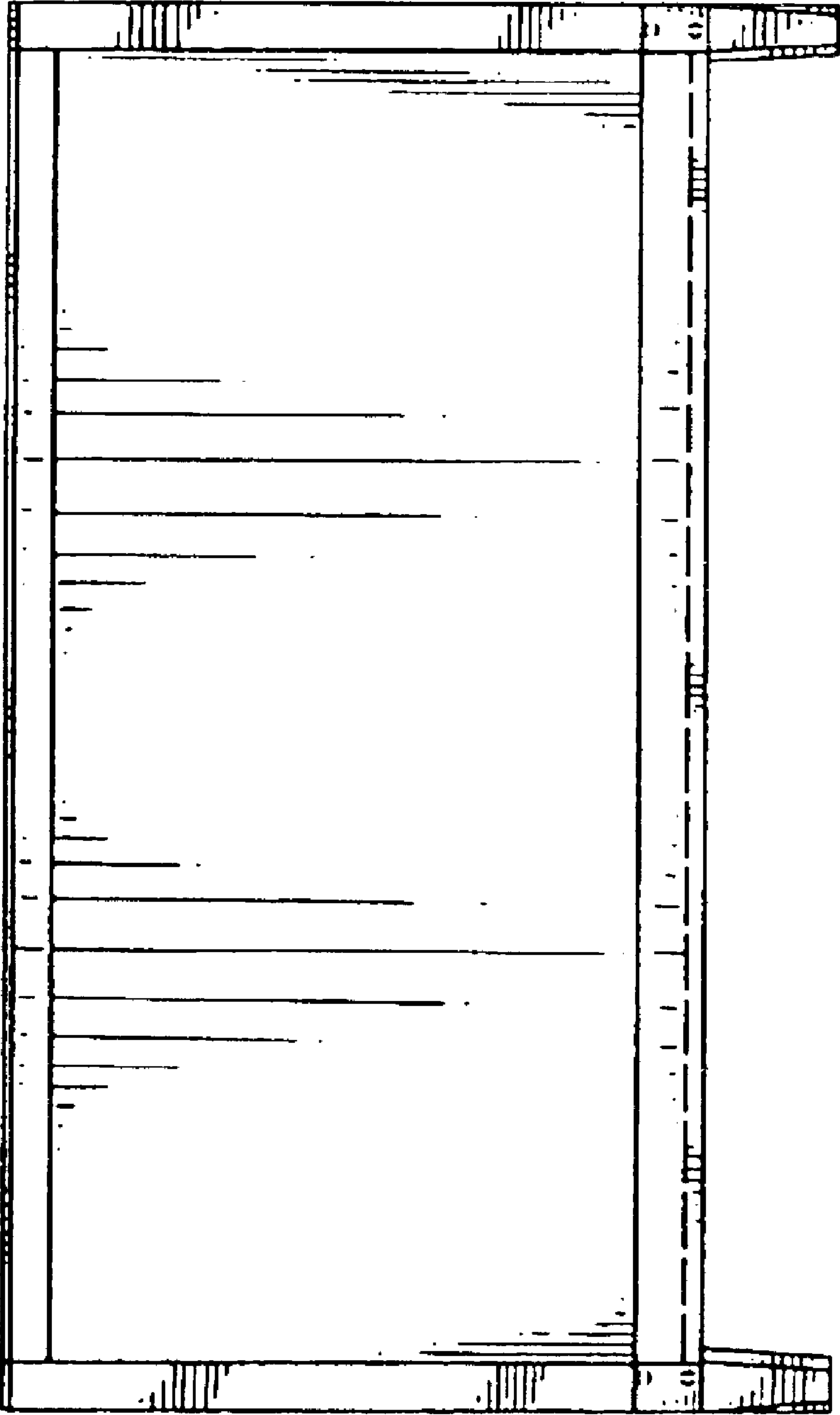


FIG.4

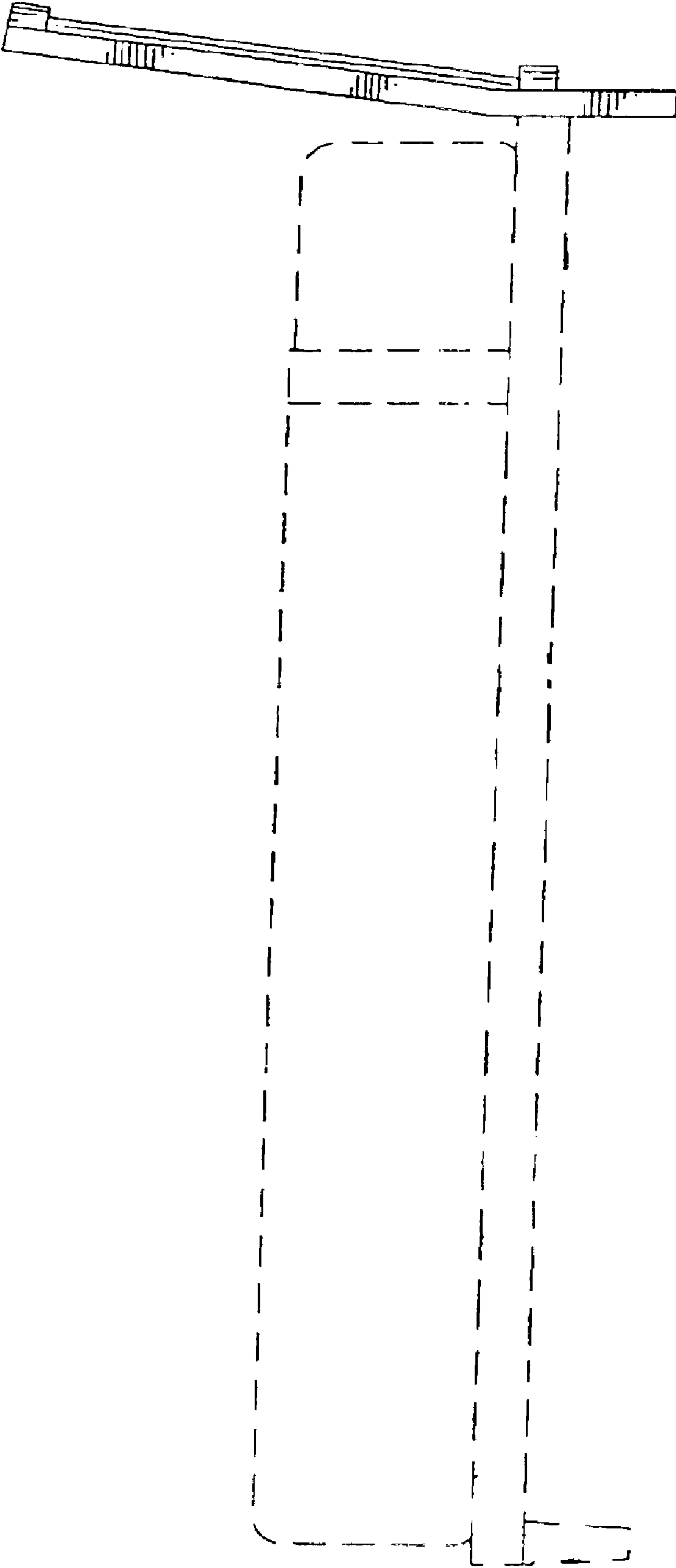


FIG. 5