



US00D508339S

(12) **United States Design Patent**
Astle

(10) **Patent No.: US D508,339 S**
(45) **Date of Patent: ** *Aug. 16, 2005**

(54) **CHAIR**
(75) Inventor: **Robert A. Astle**, Farmington, UT (US)
(73) Assignee: **Lifetime Products, Inc.**, Clearfield, UT (US)
(*) Notice: This patent is subject to a terminal disclaimer.
(**) Term: **14 Years**

4,240,663 A 12/1980 Locher
4,290,645 A 9/1981 Glickman et al.
4,304,436 A 12/1981 Rowland
4,305,617 A 12/1981 Benoit
D264,405 S 5/1982 Adkinson
4,341,419 A 7/1982 Sebel
4,366,980 A 1/1983 Rowland
D269,831 S 7/1983 Crone
4,400,031 A 8/1983 DeDecker
4,418,958 A 12/1983 Watkin
D272,587 S 2/1984 Pamberg
D274,392 S 6/1984 Blodee
4,456,296 A 6/1984 Rowland

(21) Appl. No.: **29/181,922**
(22) Filed: **May 16, 2003**

(Continued)

(51) **LOC (8) Cl.** **06-01**
(52) **U.S. Cl.** **D6/374; D6/380**
(58) **Field of Search** 297/239, 445.1,
297/446.1; D6/334, 370, 374, 376, 379,
380, 500-502

OTHER PUBLICATIONS

DPC Daniel Paul Chairs, 18 pages, Copyright 2004.
National Business Furniture, p. 119, chair at bottom right.

Primary Examiner—Mimosa De
(74) *Attorney, Agent, or Firm*—Workman Nydegger

(56) **References Cited**

(57) **CLAIM**

U.S. PATENT DOCUMENTS

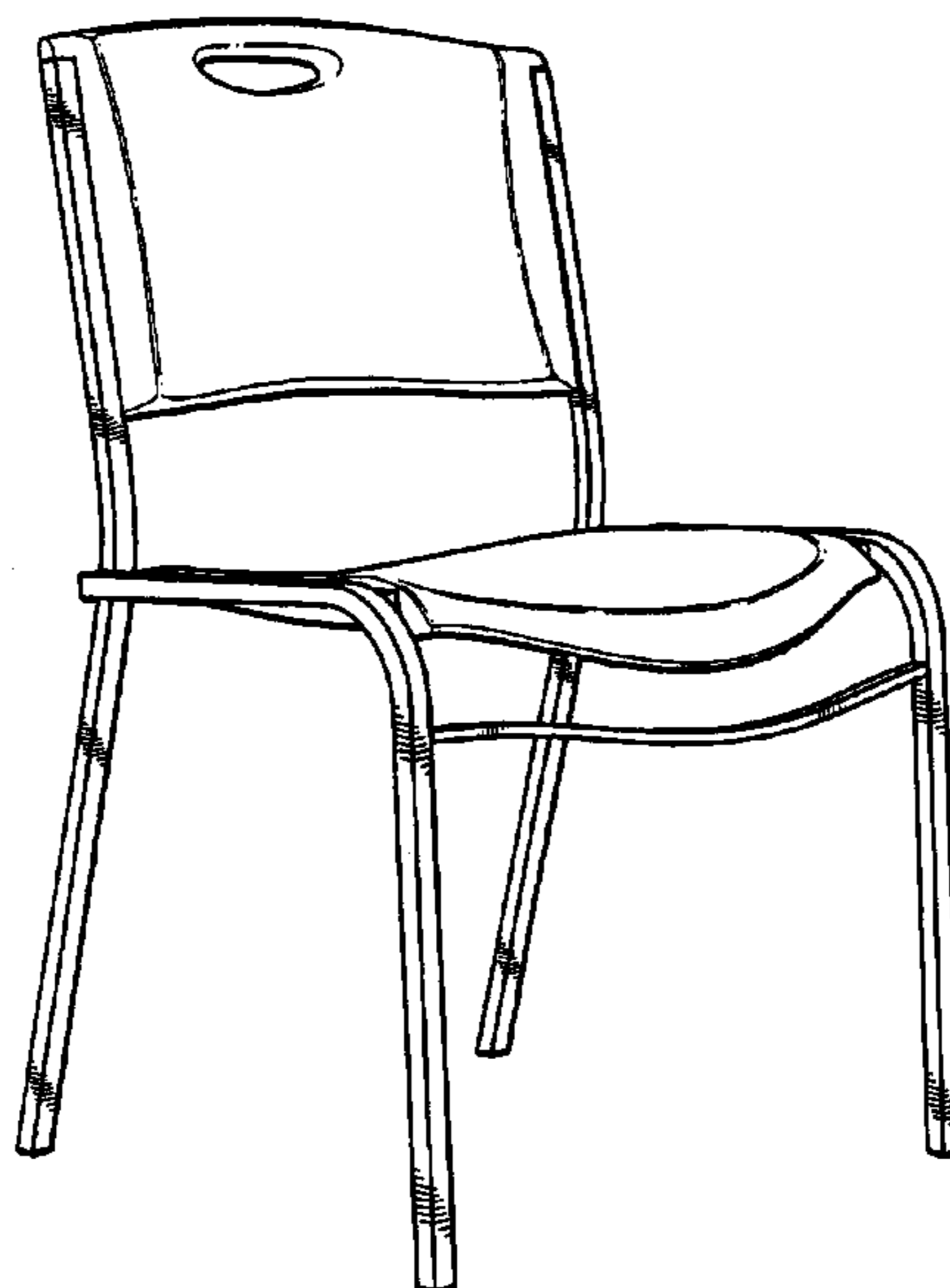
The ornamental design for a chair, as shown and described.

2,207,338 A 7/1940 Clarin
2,666,478 A 1/1954 Shwayder
D181,241 S 10/1957 Swanson
2,843,391 A 7/1958 Pelletier
2,865,437 A 12/1958 Shwayder
D186,658 S 11/1959 Spilman
3,021,175 A 2/1962 Norquist
3,094,357 A 6/1963 Shwayder
D214,834 S * 8/1969 Moore et al. D6/374
3,466,084 A 9/1969 Moore et al.
D215,836 S * 11/1969 Bell, Jr. et al. D6/374
3,944,280 A 3/1976 Keeler
4,035,019 A 7/1977 Gabourie
4,057,288 A 11/1977 Schwartz et al.
4,168,669 A 9/1979 Arnoff

DESCRIPTION

FIG. 1 is a front perspective view of a chair of the present invention;
FIG. 2 is a rear perspective view of the chair;
FIG. 3 is a front view of the chair;
FIG. 4 is a left side view of the chair, with the right side being a mirror image thereof;
FIG. 5 is a top view of the chair;
FIG. 6 is a bottom view of the chair; and,
FIG. 7 is a rear view of the chair.

1 Claim, 4 Drawing Sheets



U.S. PATENT DOCUMENTS

D275,244 S	8/1984	Snodgrass	D398,457 S	9/1998	Maly
4,522,444 A	6/1985	Pollock	5,803,540 A	9/1998	Schwartz
4,548,441 A	10/1985	Ogg	5,813,722 A	9/1998	Smith
4,655,504 A	4/1987	Weber	D400,023 S	10/1998	Olson
D290,070 S	6/1987	Lange	5,845,970 A	12/1998	Schwartz
4,674,795 A	6/1987	Nelson	5,860,697 A	1/1999	Fewchuk
4,676,552 A	6/1987	Hiller	5,863,096 A	1/1999	Bartlmae
D295,588 S	5/1988	Heitlinger et al.	D405,285 S	2/1999	Balderi et al.
4,749,232 A	6/1988	Guichon	D405,286 S	2/1999	James et al.
D298,492 S	11/1988	Ochsner	D406,196 S	3/1999	Lyons
4,807,929 A	2/1989	Balsbaugh	D409,405 S	5/1999	Schultz et al.
D300,885 S	5/1989	Ochsner	D409,408 S	5/1999	James et al.
4,913,496 A	4/1990	Oke	D409,848 S	5/1999	Staubach et al.
4,978,168 A	12/1990	Piretti	D410,802 S	6/1999	Olson
5,002,337 A	3/1991	Engel et al.	D411,694 S	6/1999	Bartlmae
D318,959 S	8/1991	Fink	D411,777 S	7/1999	Schultz et al.
5,050,933 A	9/1991	Tornero et al.	D412,409 S	8/1999	Van Rhienen
5,064,247 A	11/1991	Clark et al.	D413,450 S	9/1999	Van Rhienen
D323,079 S	1/1992	Hubert	D413,453 S	9/1999	van Rhienen
5,088,792 A	2/1992	Guichon	D414,052 S	9/1999	Van Rhienen
5,110,186 A	5/1992	Clark et al.	RE36,335 E	10/1999	Perry
5,123,702 A	6/1992	Caruso	D415,626 S	10/1999	Van Rhienen
5,154,474 A	10/1992	Desanta	D416,700 S	11/1999	van Rhienen
D333,733 S	3/1993	Sammons	D417,968 S	12/1999	Van Rhienen
5,201,108 A	4/1993	Clark et al.	D417,970 S	12/1999	Duffy et al.
D338,785 S	8/1993	Lange	5,997,084 A	12/1999	Barile, Jr. et al.
D340,812 S	11/1993	Estomin et al.	5,997,094 A	12/1999	Cvek
D344,418 S	2/1994	Favaretto	D418,319 S	1/2000	Van Rhienen
D346,501 S	5/1994	Llusca	D418,323 S	1/2000	Van Rhienen
5,308,146 A	5/1994	Chou	D419,321 S	1/2000	Rhienen
5,383,712 A	1/1995	Perry	D419,325 S	1/2000	van Rhienen
D360,769 S	8/1995	Groulx et al.	D420,522 S	2/2000	Rhienen
D362,558 S	9/1995	Reinhard	D421,344 S	* 3/2000	Kaiser D6/334
D367,185 S	2/1996	Olson	D422,805 S	4/2000	Smith
5,524,963 A	6/1996	Barile	D423,805 S	5/2000	Olson
5,524,966 A	6/1996	Piretti	D423,807 S	5/2000	Bartlmae
D372,596 S	8/1996	Reinhard	D429,423 S	8/2000	Van Rhienen
D374,129 S	10/1996	Timmons	D429,911 S	8/2000	Bartlmae
D376,485 S	12/1996	Cretcher	6,106,061 A	8/2000	Caruso et al.
D376,702 S	12/1996	Cretcher	D430,415 S	9/2000	Schultz
5,599,068 A	2/1997	Kelley et al.	D432,326 S	10/2000	Duffy et al.
D378,553 S	3/1997	Newhouse	6,131,992 A	10/2000	Chang
5,626,394 A	5/1997	Perry	D433,576 S	11/2000	Hutton
5,632,524 A	5/1997	Ikeda et al.	D433,578 S	11/2000	Saul
D382,415 S	8/1997	Leib	D433,836 S	11/2000	Barile, Sr.
D389,329 S	1/1998	Krause et al.	D435,176 S	12/2000	Turner et al.
D390,024 S	2/1998	DeJule	6,174,029 B1	1/2001	Swy
D391,412 S	3/1998	James et al.	D447,643 S	9/2001	Zemp
D393,757 S	4/1998	Breen	6,345,863 B1	2/2002	Laws et al.
5,738,408 A	4/1998	Wu	D465,665 S	11/2002	Ritchie et al.
D393,955 S	5/1998	Piretti	D465,940 S	11/2002	Nien
5,762,396 A	6/1998	Barile	D468,921 S	1/2003	Kagan
D396,563 S	8/1998	Meijer	D470,670 S	2/2003	Meyer
D397,880 S	9/1998	Saul	D481,550 S	* 11/2003	Astle D6/374

* cited by examiner

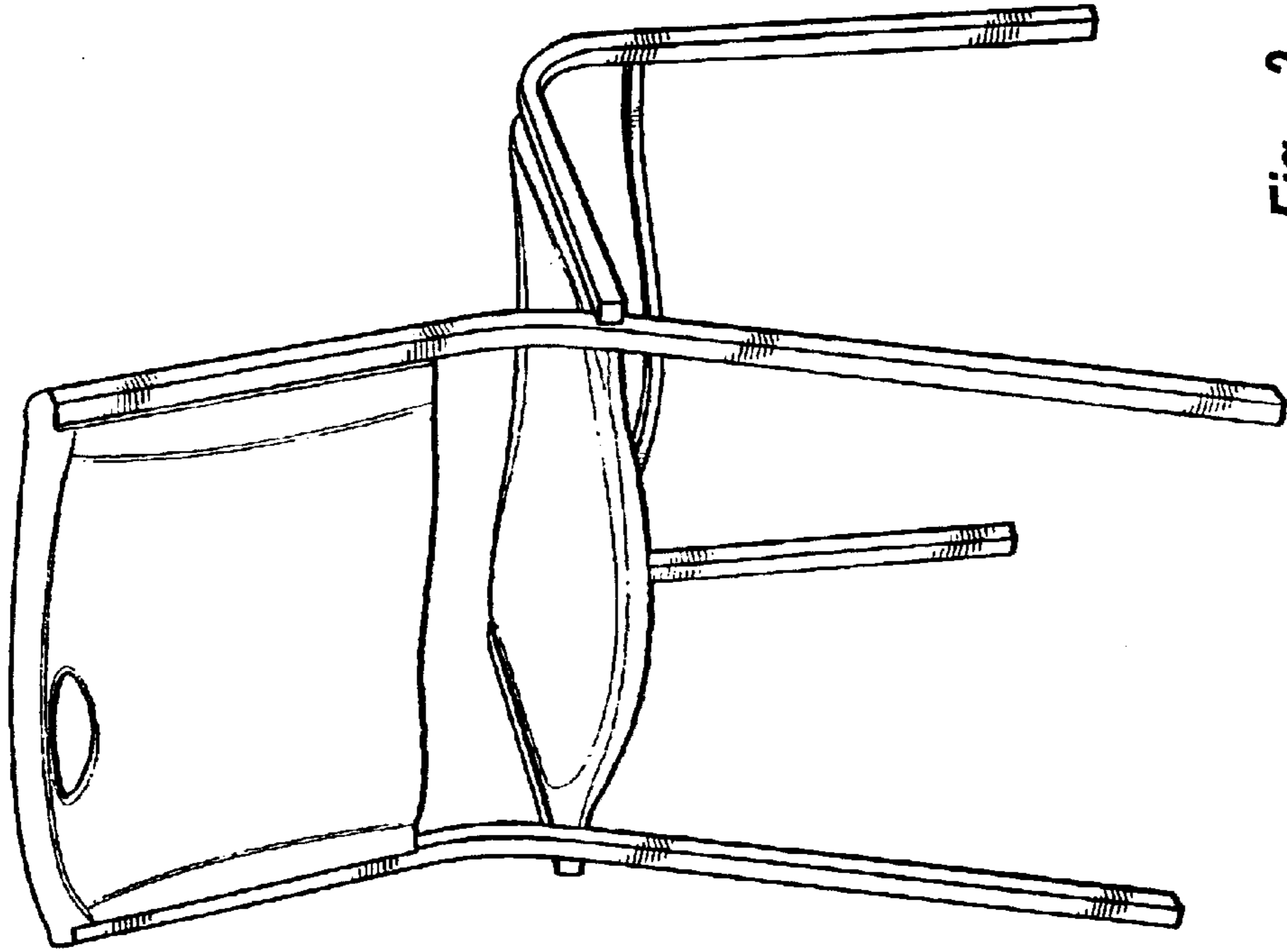


Fig. 2

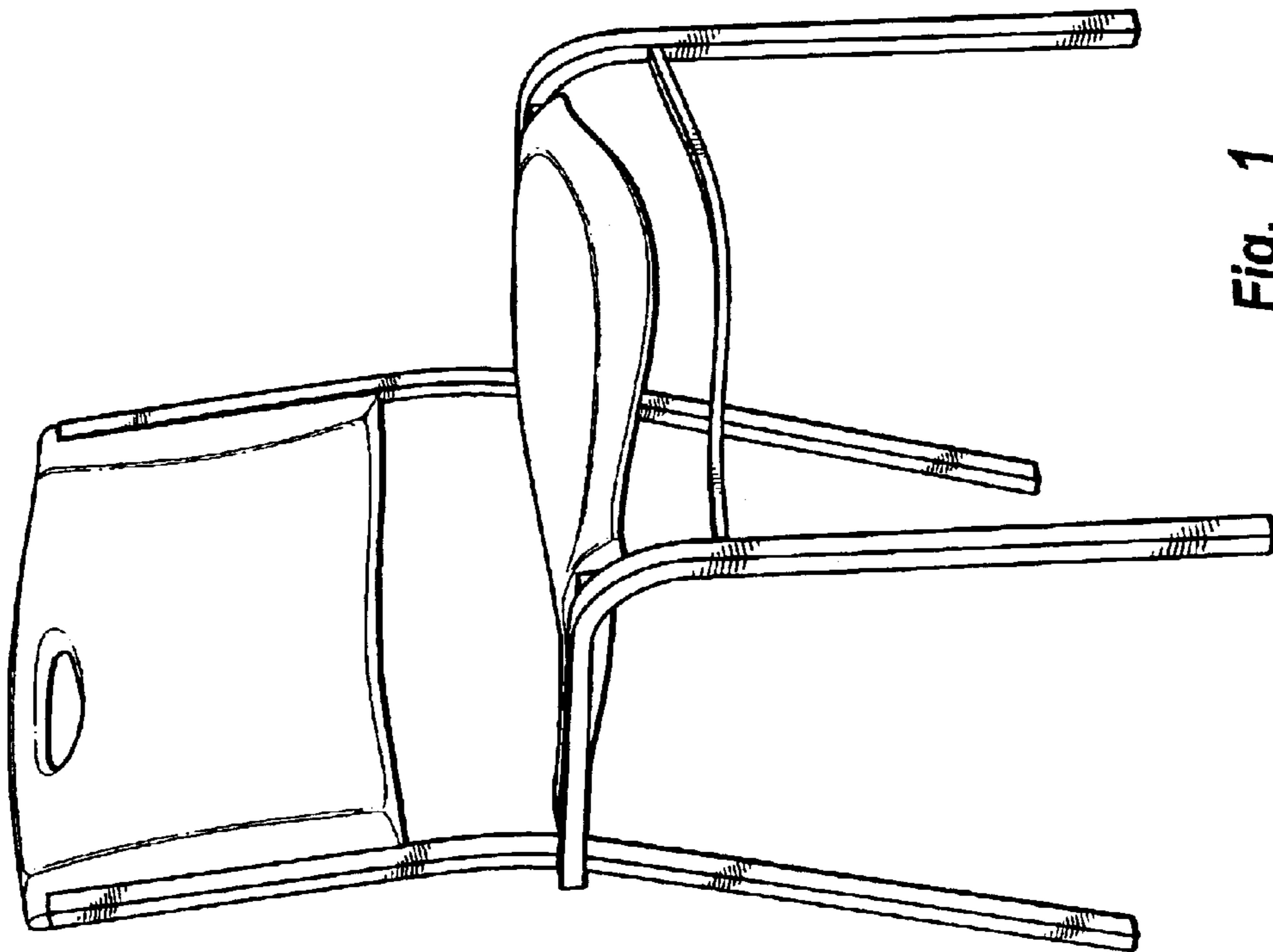


Fig. 1

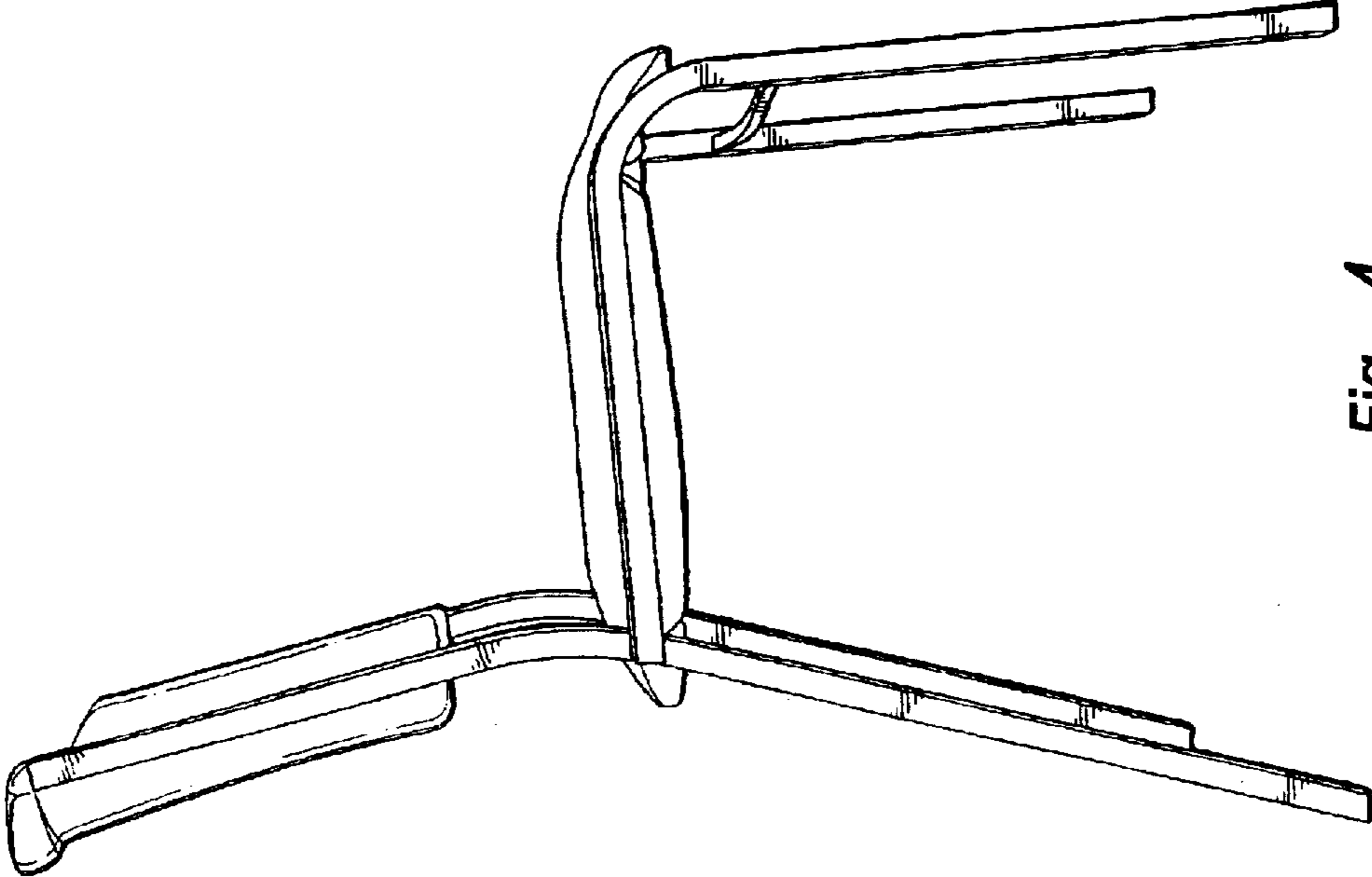


Fig. 4

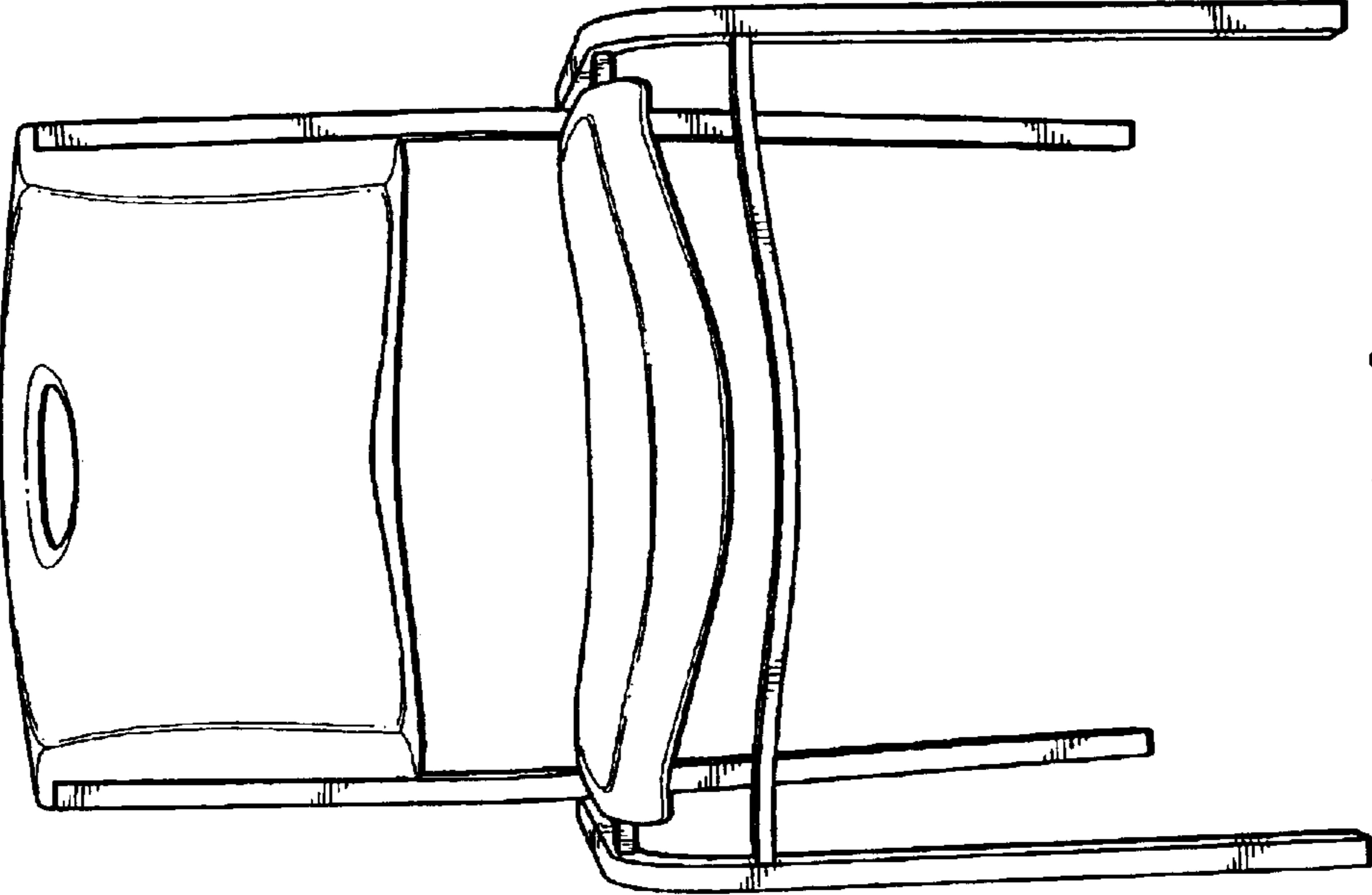


Fig. 3

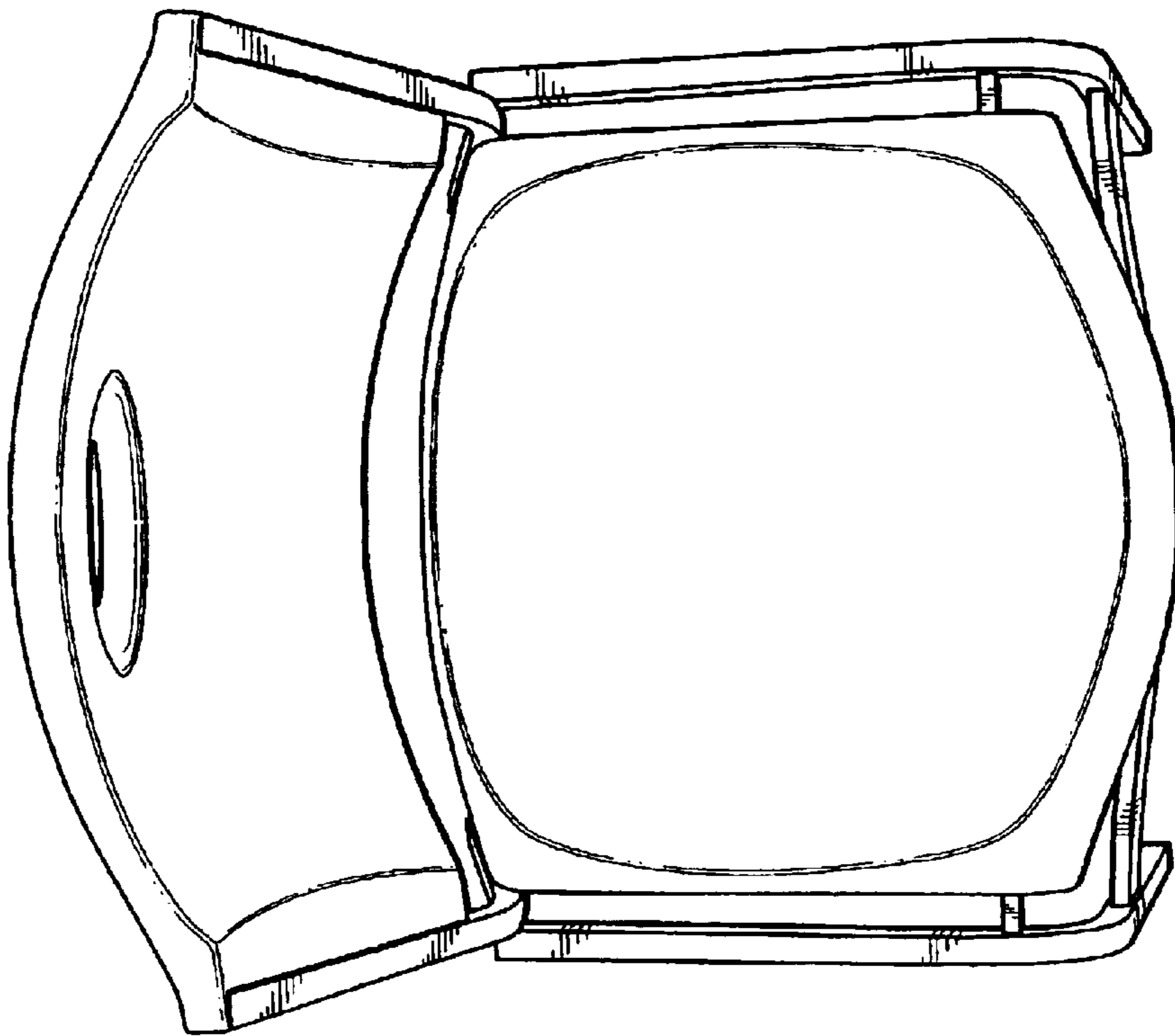


Fig. 5

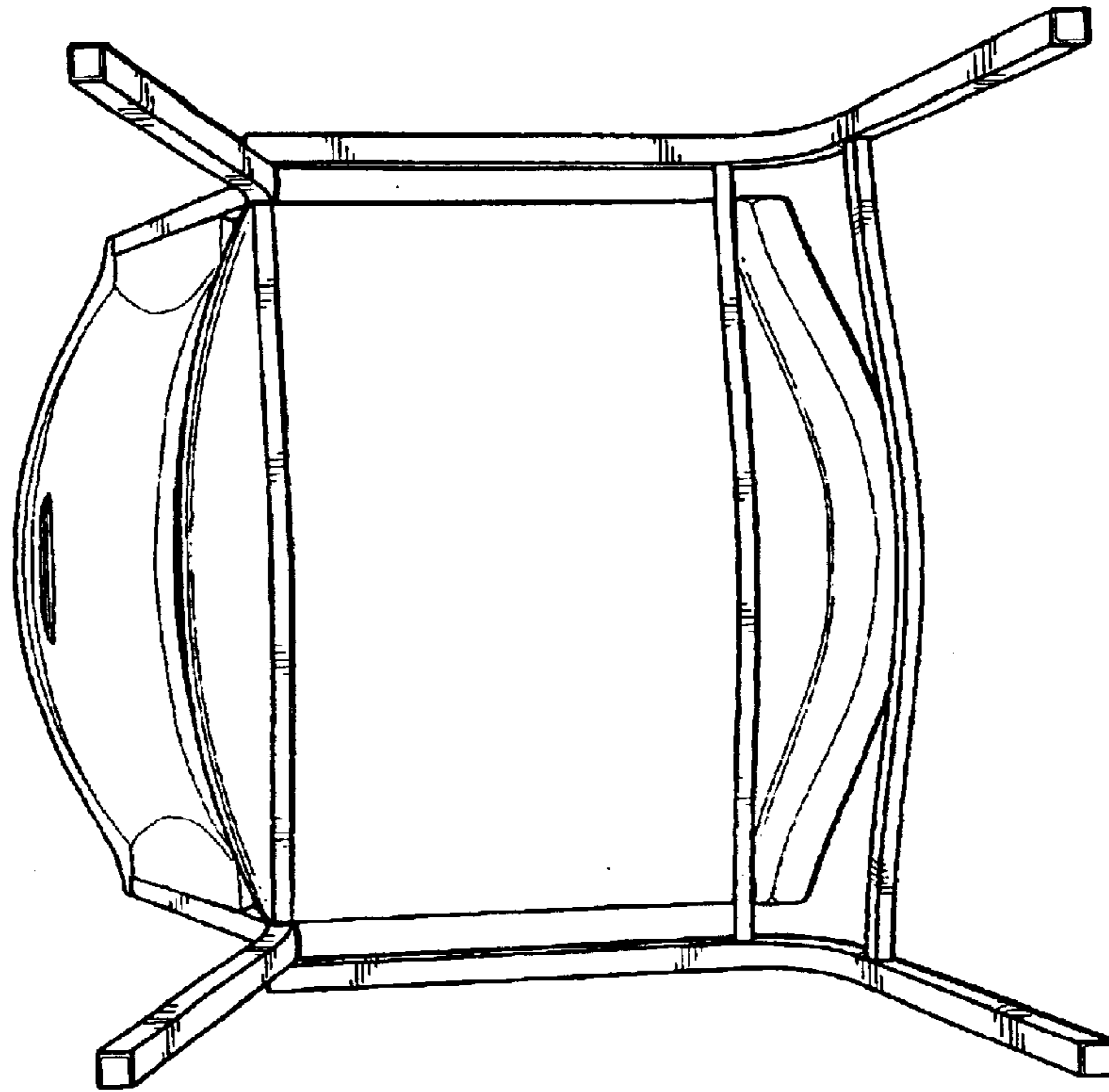


Fig. 6

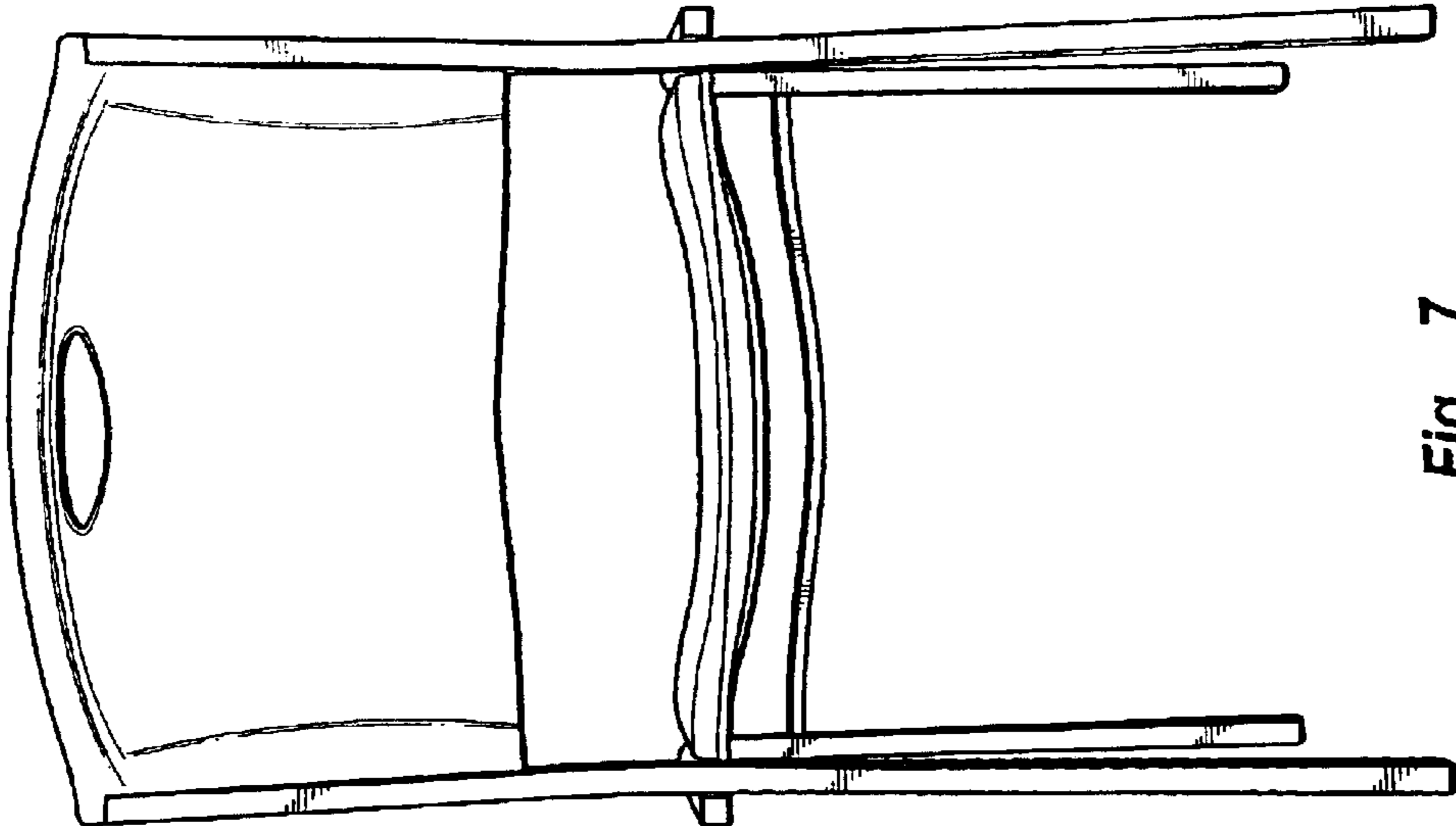


Fig. 7