



US00D508336S

(12) **United States Design Patent**
Suzuki et al.

(10) **Patent No.: US D508,336 S**
(45) **Date of Patent: ** Aug. 16, 2005**

(54) **OTTOMAN**

D403,888 S 1/1999 Hutton D6/437
D461,340 S * 8/2002 Walters, III D6/484

(75) Inventors: **Masaru Suzuki**, Brooklyn, NY (US);
Jennifer Hutton, New York, NY (US);
Cynthia Biboso, New York, NY (US)

(73) Assignee: **Donghia Furniture/Textiles Ltd.**, New York, NY (US)

(**) Term: **14 Years**

(21) Appl. No.: **29/201,063**

(22) Filed: **Mar. 8, 2004**

(51) **LOC (8) Cl.** **06-01**

(52) **U.S. Cl.** **D6/349; D6/484**

(58) **Field of Search** D6/349-353, 355,
D6/369, 484, 495, 451; 297/461, 462, 423.1,
423.39, 423.41

(56) **References Cited**

U.S. PATENT DOCUMENTS

D86,020 S	*	1/1932	Gibson	D6/349
D235,596 S	*	7/1975	Brinbaum	D6/484
D243,215 S	*	2/1977	Winrow	D6/352
D278,864 S	*	5/1985	Borichevsky	D6/349
D345,475 S	*	3/1994	Ferguson	D6/477
D402,828 S		12/1998	Hutton	D6/479
D403,887 S		1/1999	Hutton	D6/437

OTHER PUBLICATIONS

Rattan Side Table. Catalog [online]. Linen Source, 2003. Retrieved from the Internet Nov. 18, 2004. Retrieved from the Internet: <URL www.linen-source.com>.*

* cited by examiner

Primary Examiner—Joel A. Sincavage

Assistant Examiner—Vy Nguyen

(74) *Attorney, Agent, or Firm*—Heslin Rothenberg Farley & Mesiti P.C.

(57) **CLAIM**

The ornamental design for the ottoman, as shown and described.

DESCRIPTION

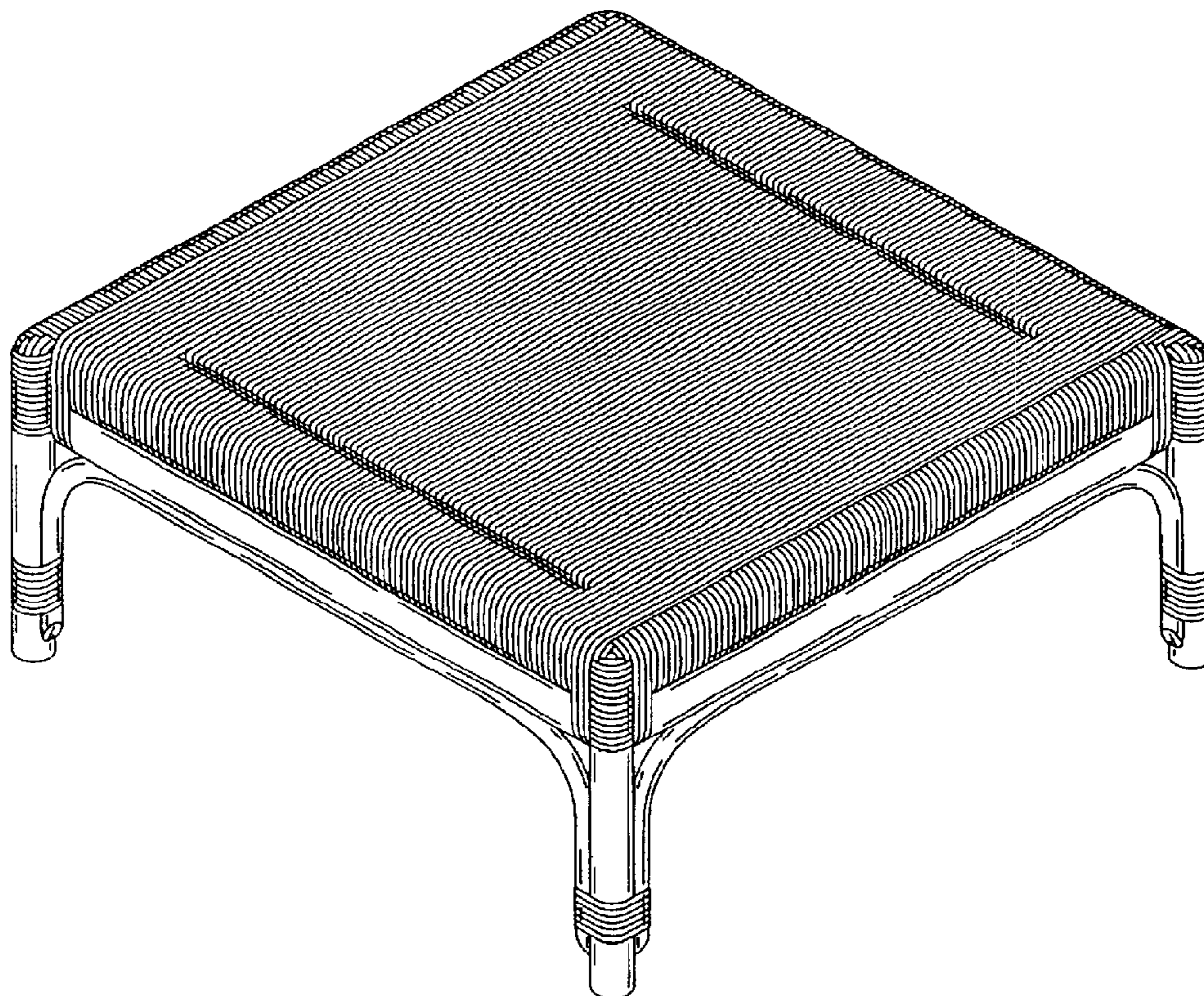
FIG. 1 is a perspective view of a ottoman accordance with the new design;

FIG. 2 is a top view thereof;

FIG. 3 is a front elevational view thereof, a rear elevational view being a mirror image thereof; and,

FIG. 4 is a right side elevational view thereof, a left side elevational view being a mirror image thereof.

1 Claim, 3 Drawing Sheets



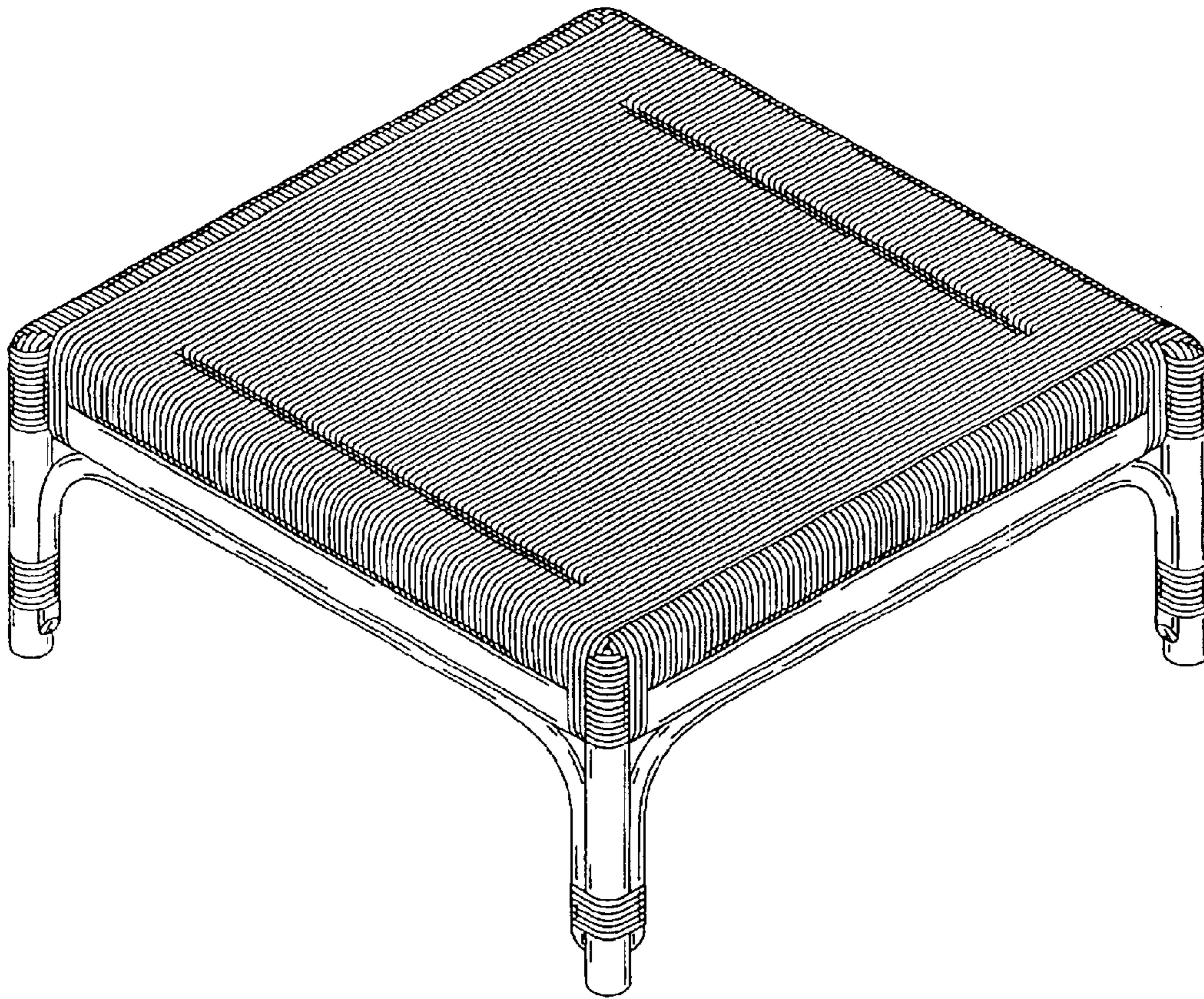


FIG. 1

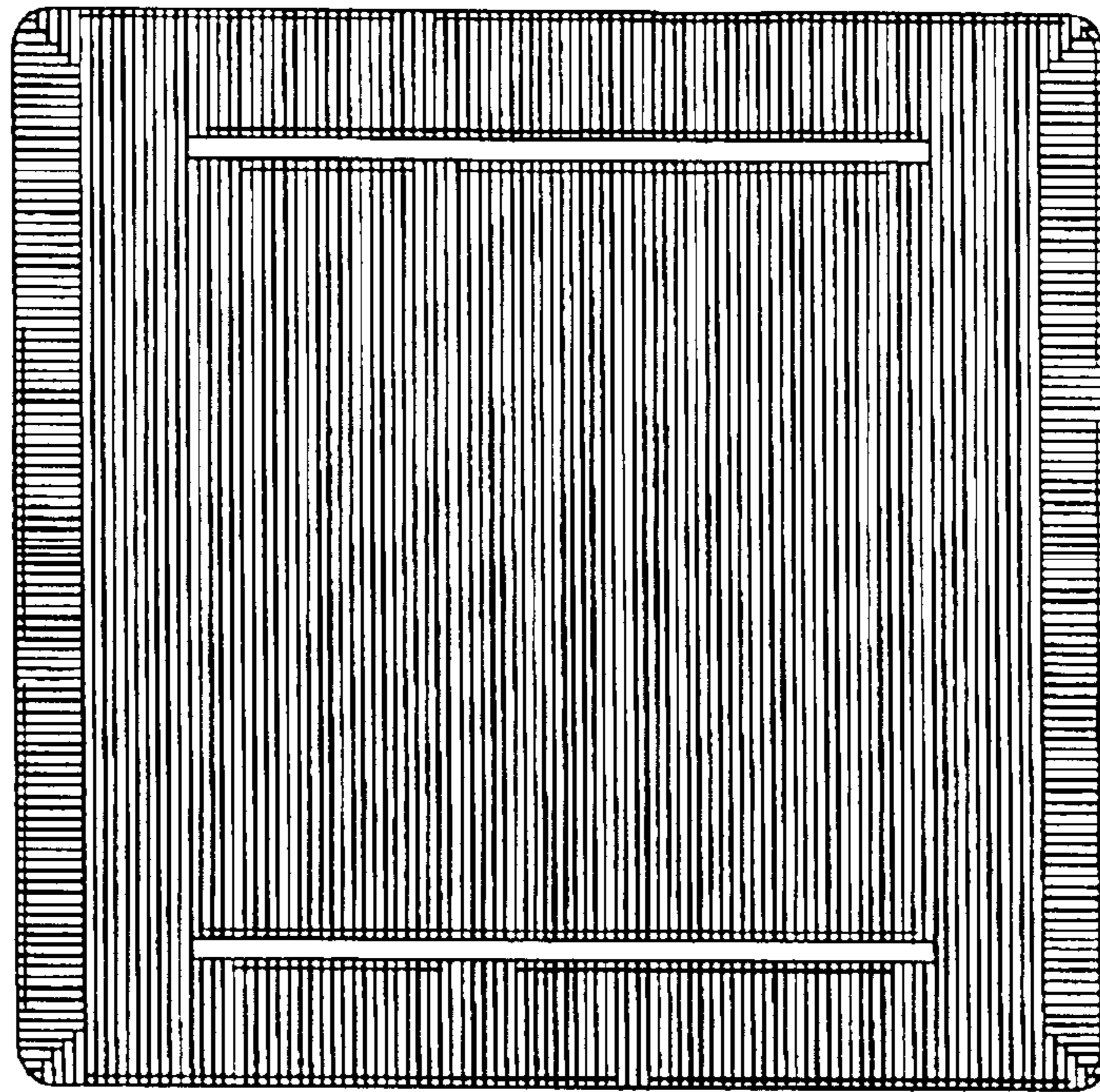


FIG. 2

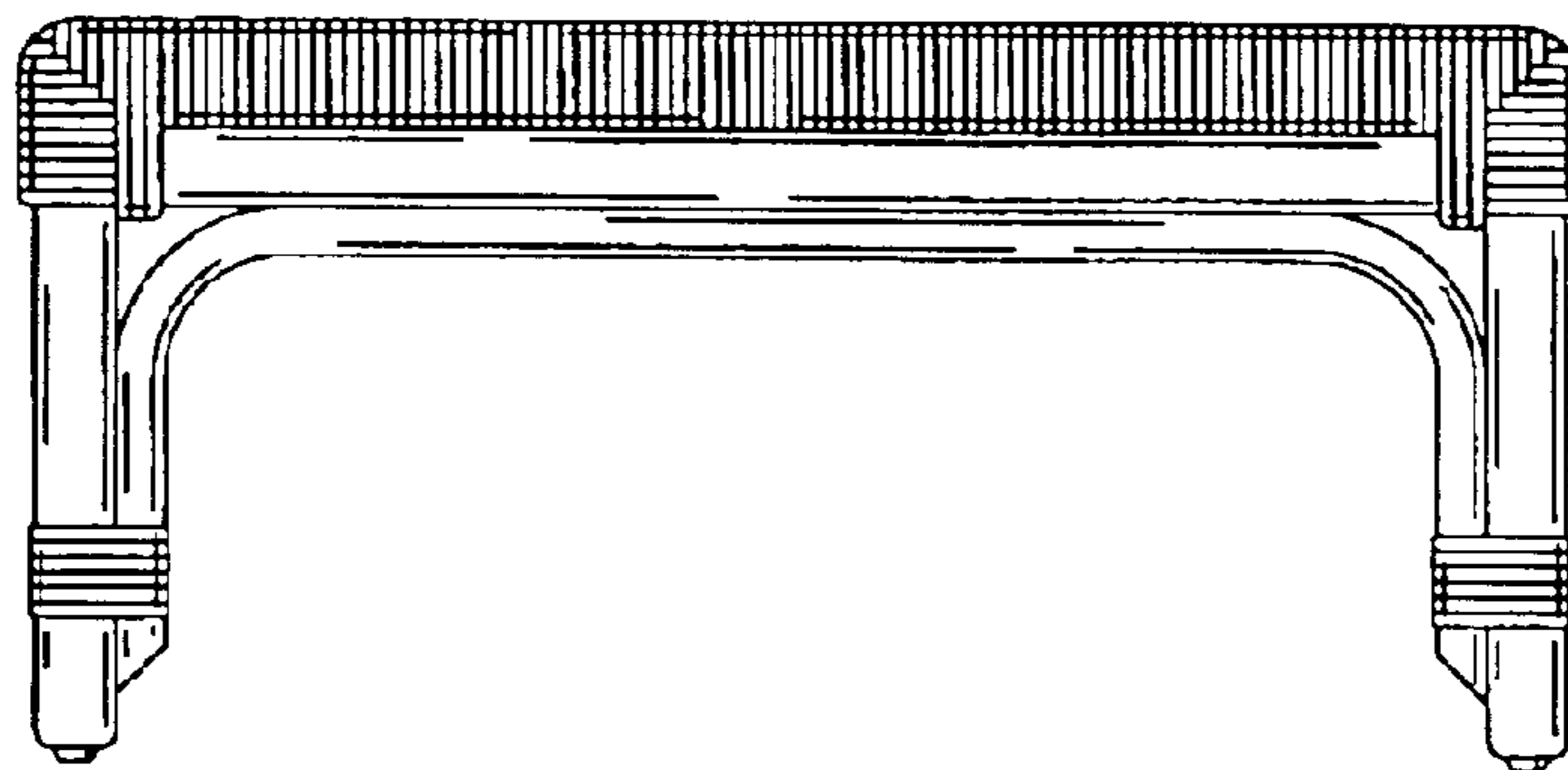


FIG. 3



FIG. 4