

US00D508334S

(12) **United States Design Patent** (10) **Patent No.:** **US D508,334 S**  
**Berg et al.** (45) **Date of Patent:** **\*\* Aug. 16, 2005**

(54) **DISPLAY**

(75) Inventors: **Dan Berg**, St. Paul, MN (US); **Jason Johnson**, Minneapolis, MN (US); **Mark Fritsche**, Eagan, MN (US)

(73) Assignee: **Skyline Displays, Inc.**, Eagan, MN (US)

(\*\*) Term: **14 Years**

(21) Appl. No.: **29/191,236**

(22) Filed: **Oct. 3, 2003**

**Related U.S. Application Data**

(60) Division of application No. 29/157,105, filed on Mar. 12, 2002, now Pat. No. Des. 493,290, which is a continuation-in-part of application No. 09/953,111, filed on Sep. 13, 2001, now Pat. No. 6,615,562, which is a continuation-in-part of application No. 09/953,099, filed on Sep. 13, 2001, now Pat. No. 6,659,159, which is a continuation-in-part of application No. 09/953,098, filed on Sep. 13, 2001, now Pat. No. 6,712,229, which is a continuation-in-part of application No. 09/953,113, filed on Sep. 13, 2001, now abandoned, which is a continuation-in-part of application No. 29/148,160, filed on Sep. 13, 2001, now Pat. No. Des. 471,726, which is a continuation-in-part of application No. 29/148,161, filed on Sep. 13, 2001, now Pat. No. Des. 472,719.

(51) **LOC (8) Cl.** ..... **06-04**  
(52) **U.S. Cl.** ..... **D6/332**  
(58) **Field of Search** ..... D6/332, 396, 397;  
D20/10, 39; D25/58; 40/603, 605, 610;  
52/633, 645, 646

(56) **References Cited**

**U.S. PATENT DOCUMENTS**

2,914,872 A \* 12/1959 Goodrich ..... 40/124  
3,466,777 A \* 9/1969 Wistrand et al. .... 40/605

(Continued)

**OTHER PUBLICATIONS**

Skyline Displays, Inc., *ps2000 brochure*, 2001.  
Skyline Displays, Inc., *imagine that. brochure*, 2000.

(Continued)

*Primary Examiner*—Cathron Brooks  
(74) *Attorney, Agent, or Firm*—Patterson, Thuente, Skaar & Christensen, P.A.

(57) **CLAIM**

We claim the ornamental design for display, as shown and described.

**DESCRIPTION**

FIG. 1 is a front perspective view of a display according to a first embodiment of the invention. The dashed lines indicate possible shelving and webbing which are not part of the design claimed.

FIG. 2 is a front perspective view of a display according to a first embodiment of the invention. The dashed lines indicate possible webbing which is not part of the design claimed.

FIG. 3 is a front perspective view of a display according to a second embodiment of the invention.

FIG. 4 is a front view of display according to a first embodiment of the invention.

FIG. 5 is a side view of a display according to a first embodiment of the invention.

FIG. 6 is a top view of a display according to the first and second embodiments of the invention. The dashed lines indicate possible webbing which is not part of the design claimed.

FIG. 7 is a front perspective view of a display according to a third embodiment of the invention. The dashed lines indicate possible screens, table and display accessories, and webbing which are not part of the design claimed.

FIG. 8 is a front perspective view of a display according to a third embodiment of the invention. The dashed lines indicate possible webbing which is not part of the design claimed.

FIG. 9 is a front perspective view of a display according to a fourth embodiment of the invention.

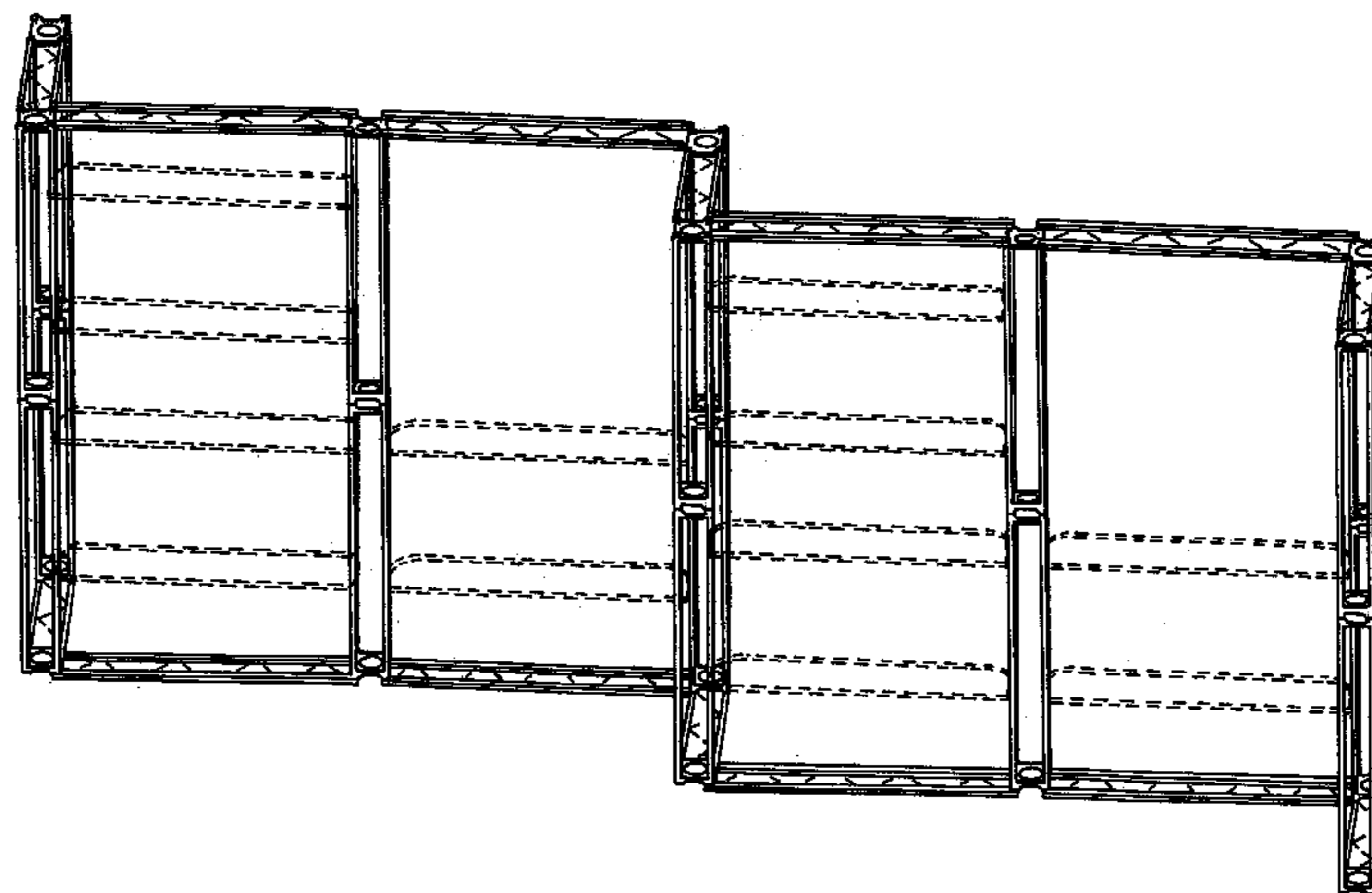
FIG. 10 is a front view of a display according to a third embodiment of the invention.

FIG. 11 is a side view of a display according to a third embodiment of the invention; and,

FIG. 12 is a top view of a display according to the third and fourth embodiments of the invention.

The dashed lines indicate possible webbing and accessories which are not part of the claimed design.

**1 Claim, 12 Drawing Sheets**



U.S. PATENT DOCUMENTS

D232,172 S 7/1974 Themis  
 D236,868 S 9/1975 Levy  
 D237,663 S 11/1975 Levy  
 4,043,086 A \* 8/1977 Kaulfuss et al. .... 52/71  
 4,120,124 A \* 10/1978 Temple et al. .... 52/126.4  
 4,121,645 A \* 10/1978 Behr ..... D6/332  
 D250,378 S 11/1978 Woods  
 4,194,313 A \* 3/1980 Downing ..... 40/610  
 4,471,548 A 9/1984 Goudie  
 4,631,881 A 12/1986 Charman  
 4,658,560 A 4/1987 Beaulieu et al.  
 4,700,498 A 10/1987 Perutz et al.  
 4,949,490 A \* 8/1990 Miller ..... 40/605  
 4,986,038 A 1/1991 Backer  
 D317,469 S 6/1991 Beaulieu  
 5,115,623 A 5/1992 Ahlberg  
 5,123,550 A 6/1992 Noødskov et al.  
 5,269,112 A 12/1993 Weinrub et al.  
 5,323,836 A 6/1994 Tuttle et al.  
 D354,818 S 1/1995 Johnson  
 5,501,051 A 3/1996 Harlan  
 5,537,766 A 7/1996 Nickens et al.  
 5,561,960 A 10/1996 Minnick et al.  
 D385,044 S 10/1997 Johnson  
 5,711,131 A 1/1998 Thomas

5,822,945 A 10/1998 Muller  
 6,009,930 A \* 1/2000 Jantschek ..... 160/135  
 6,079,178 A 6/2000 Fisher  
 6,149,021 A 11/2000 Beaulieu  
 D446,659 S 8/2001 Ludwig et al.  
 D455,016 S 4/2002 Newhouse

OTHER PUBLICATIONS

Skyline Displays, Inc., *design ideas brochure*, 2000.  
 Skyline Displays, Inc., *How Do You Market Your e-Business Offline? brochure*, 2001.  
 Skyline Displays, Inc., *mirage plus brochure*, 2001.  
 Skyline Displays, Inc., *skytruss brochure*, 2001.  
 Trussworks, Truss Catalog web page printout, *Truss Parts*, Aug. 17, 2001.  
 Trussworks, Truss Catalog web page printout, *Trussworks Photos, Graphics Frame*, p. 1, Aug. 17, 2001.  
 Trussworks, Truss Catalog web page printout, *Trussworks Photos, Graphics Frame*, p. 2, Aug. 17, 2001.  
 Trussworks, Truss Catalog web page printout, *Trussworks Photos, Exhibit Photos*, p. 1, Aug. 17, 2001.  
 Trussworks, Truss Catalog web page printout, *Trussworks Photos, Graphics Frame*, p. 12, Aug. 17, 2001.

\* cited by examiner

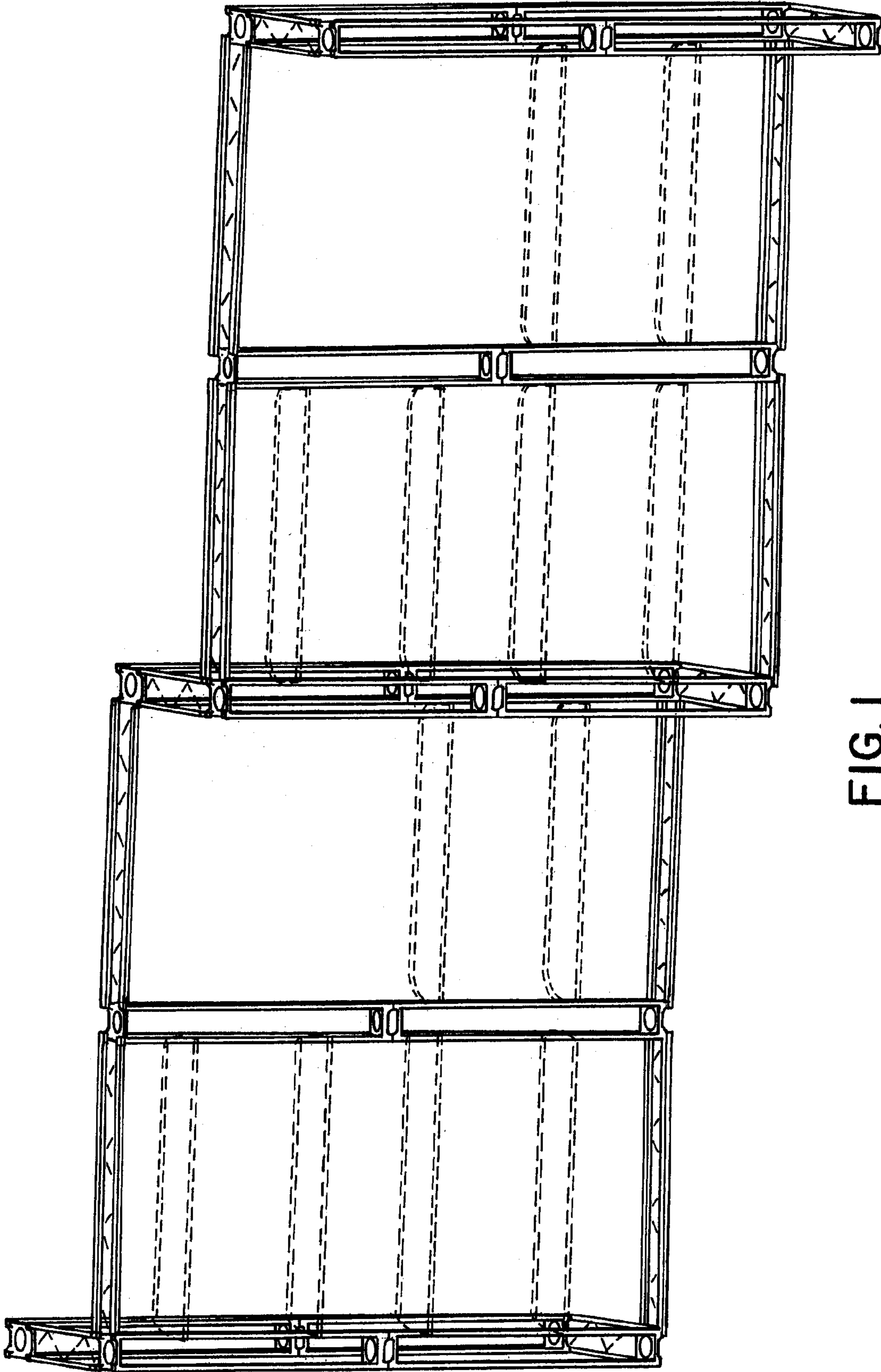


FIG. 1

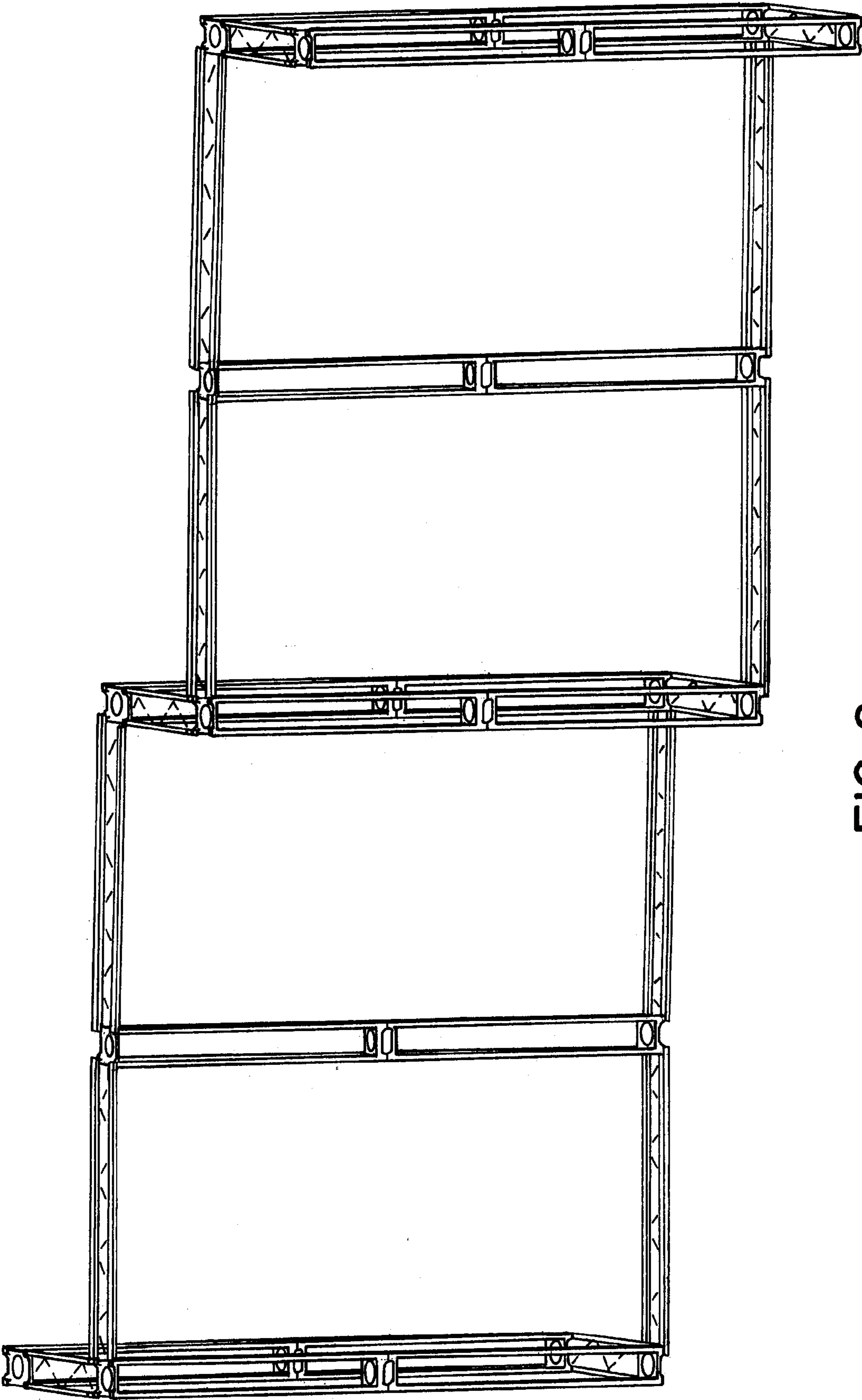


FIG. 2

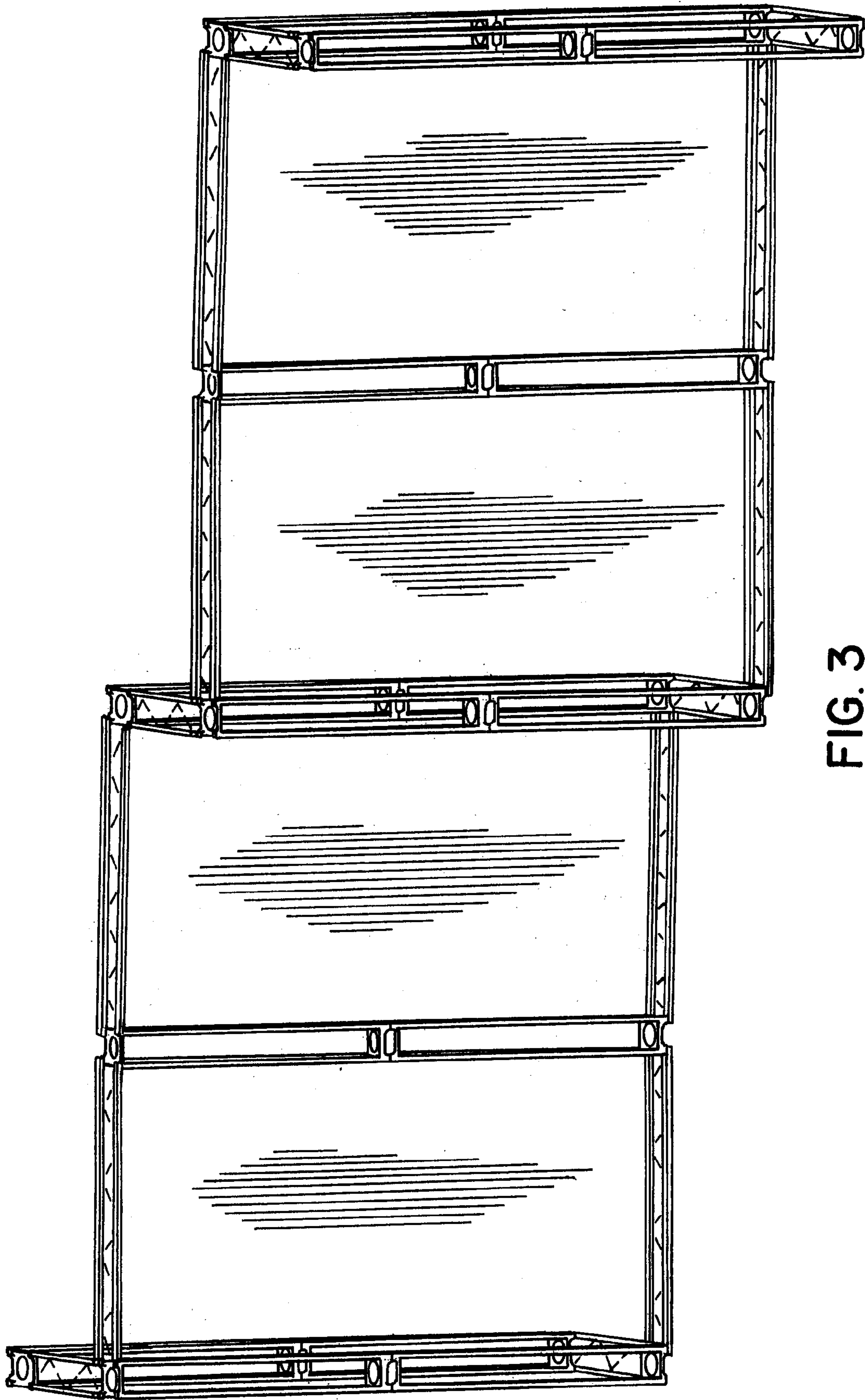


FIG. 3

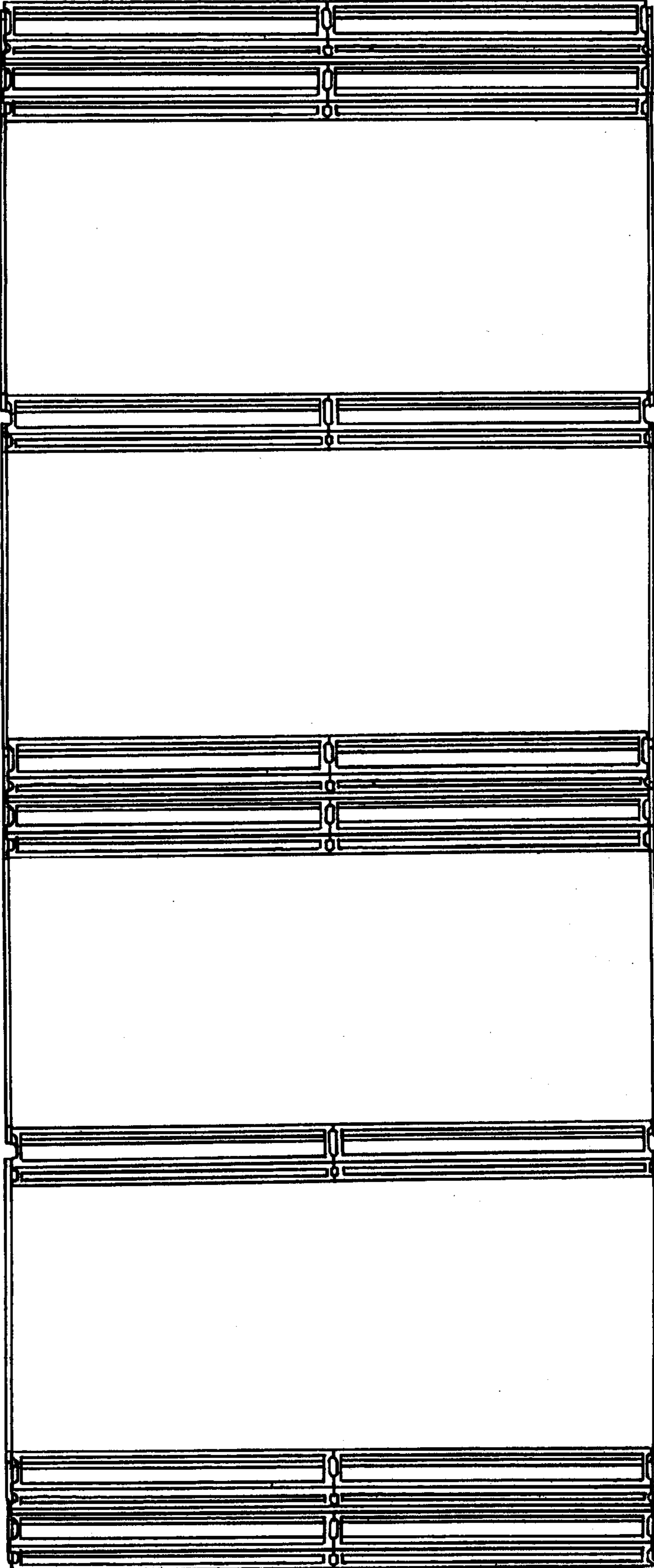
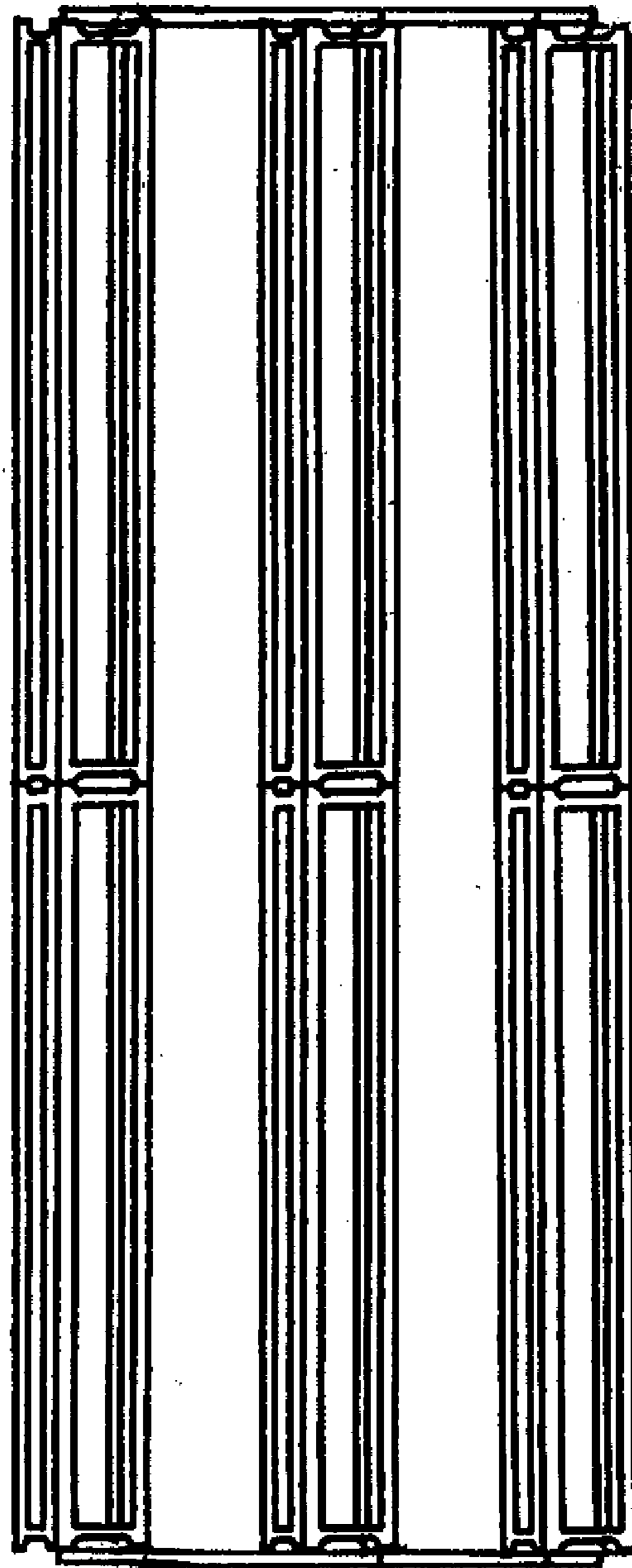


FIG. 4



**FIG. 5**

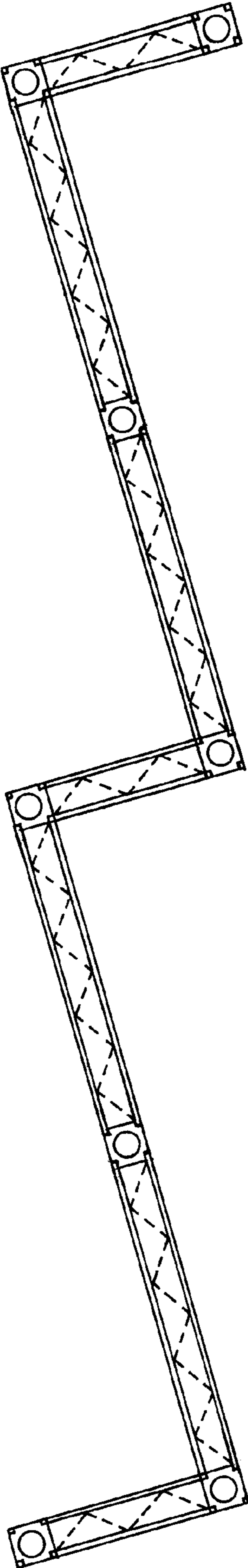


FIG. 6



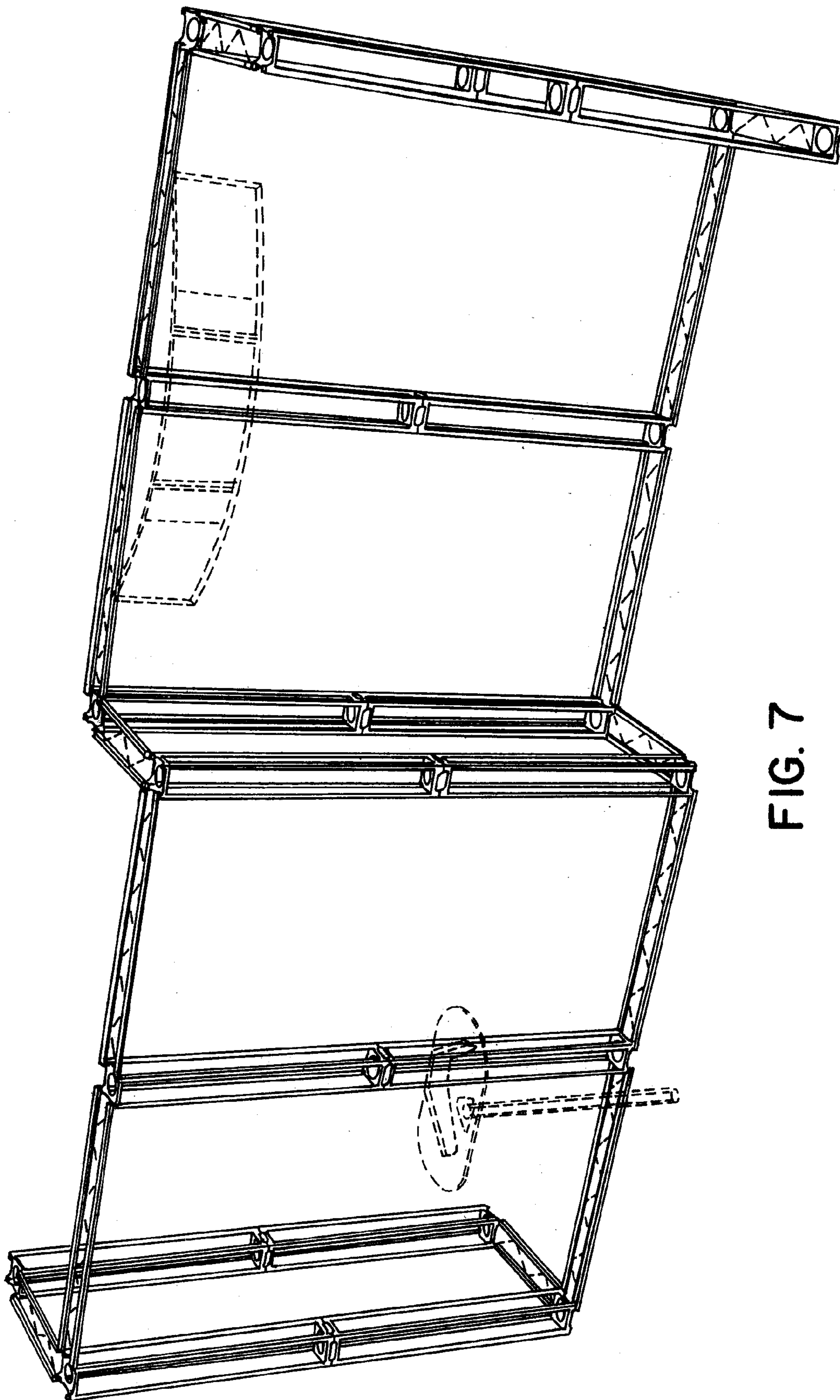


FIG. 7

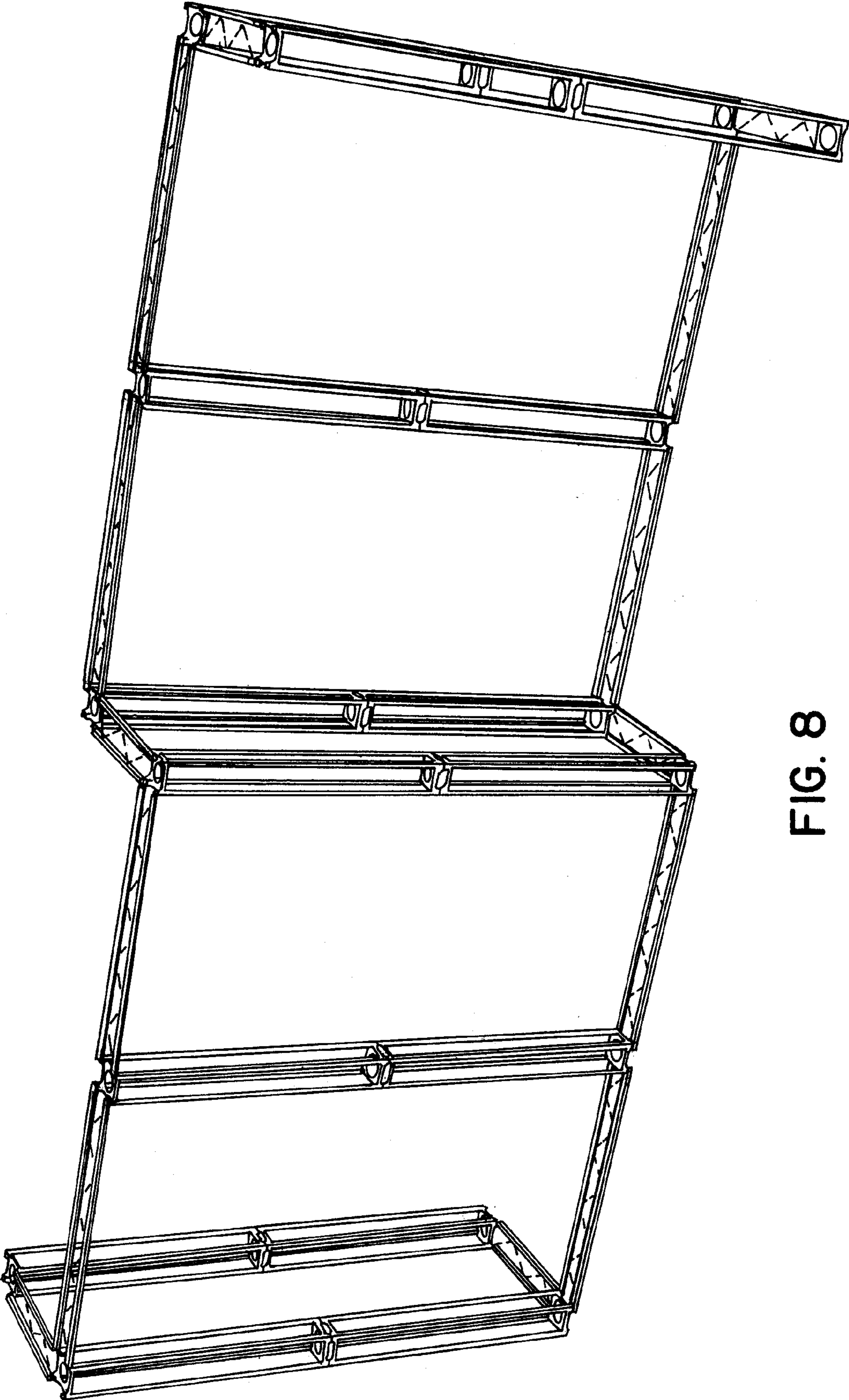


FIG. 8

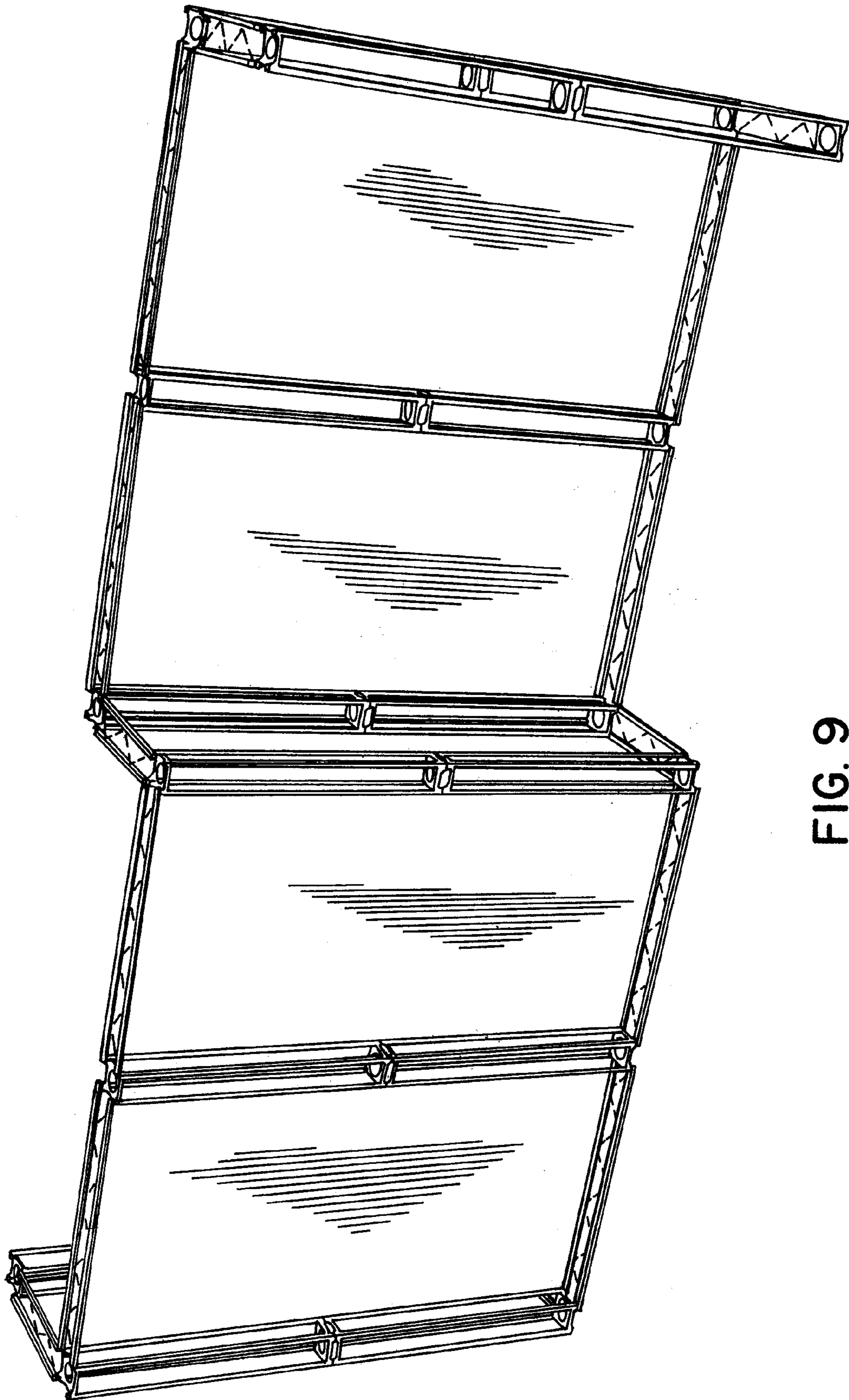


FIG. 9

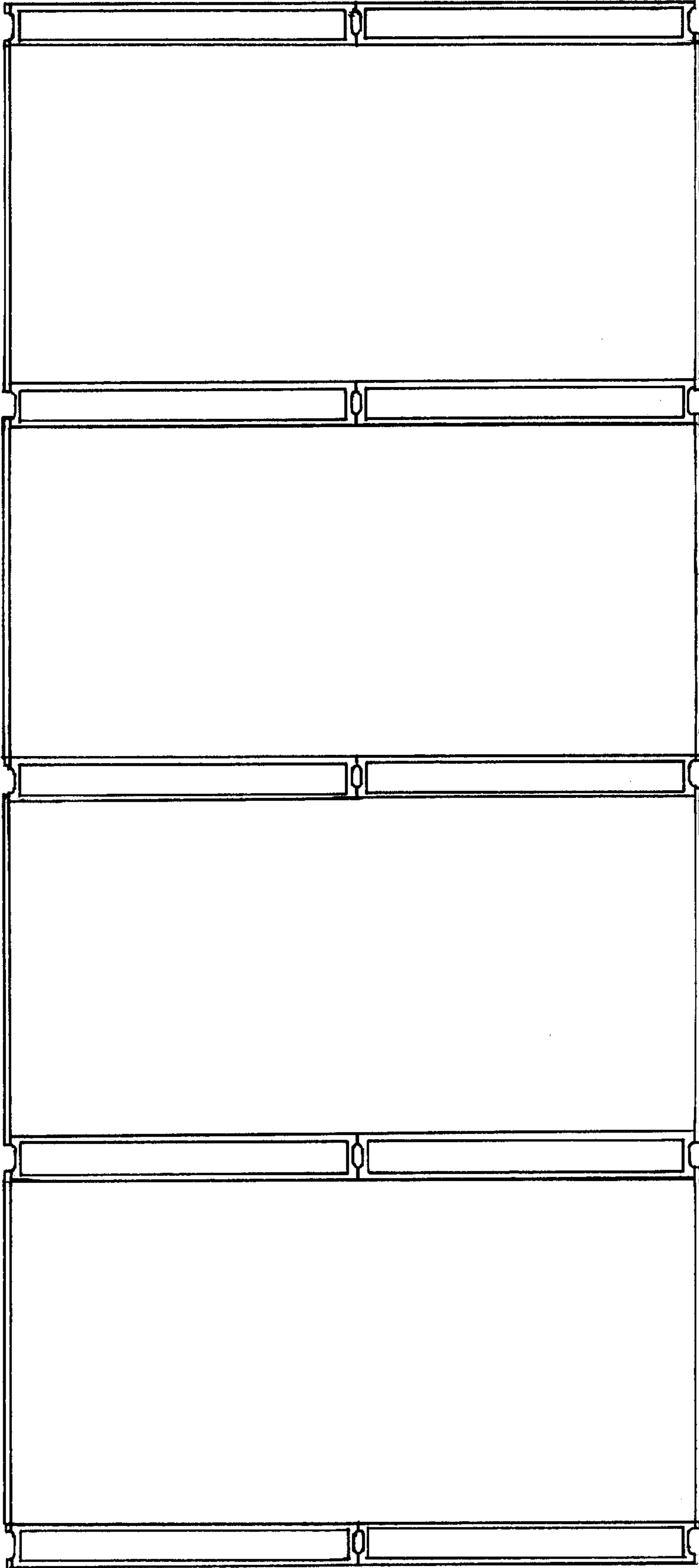


FIG. 10

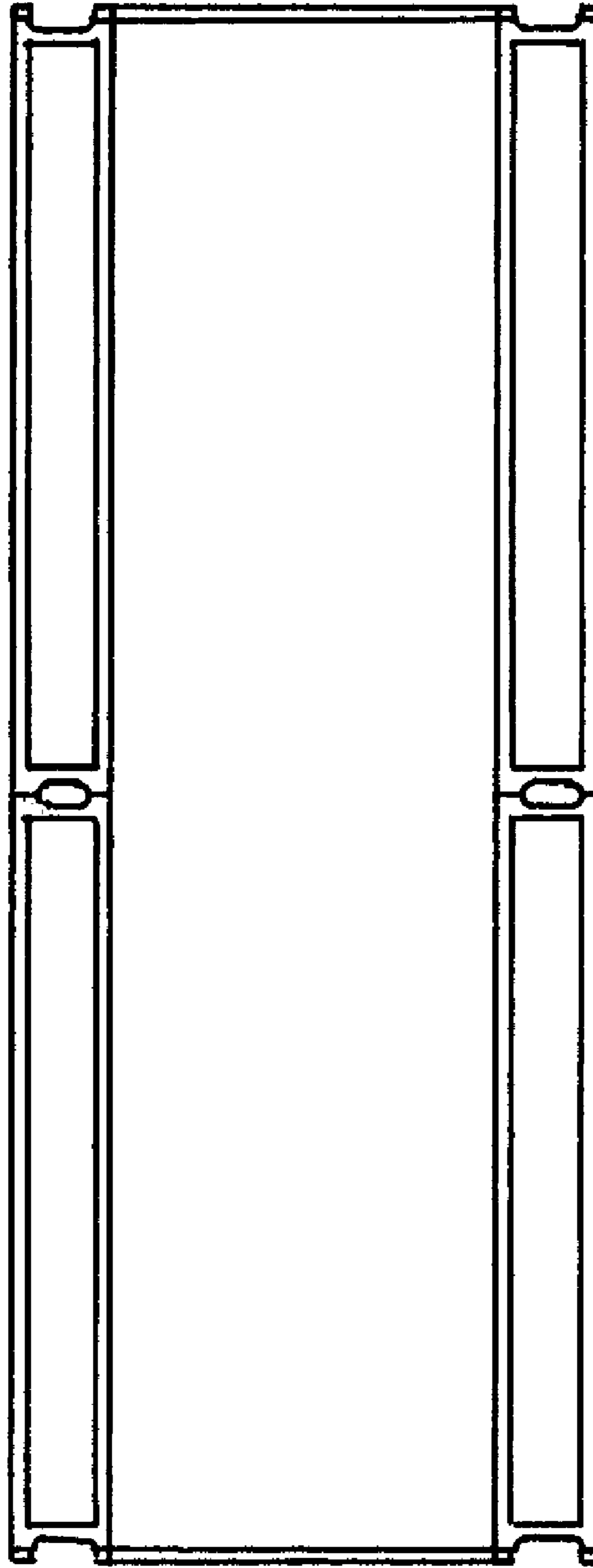


FIG. 11

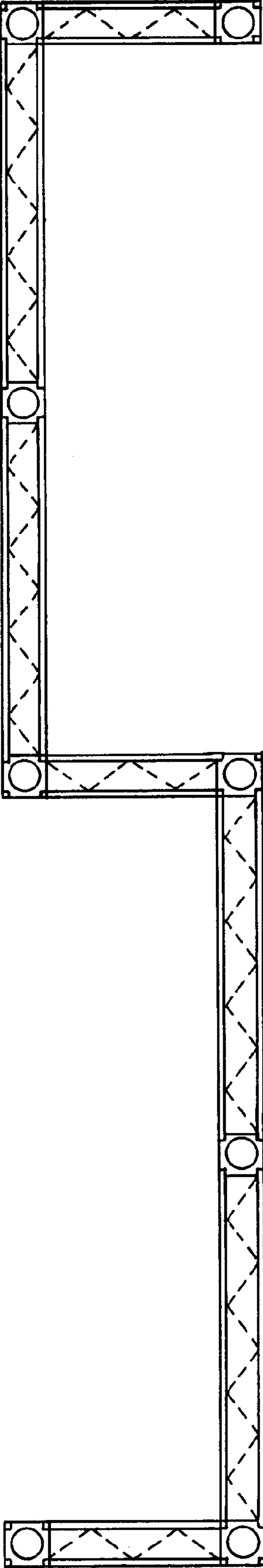


FIG. 12