

US00D508322S

(12) **United States Design Patent** (10) **Patent No.:** **US D508,322 S**
Horst (45) **Date of Patent:** **** Aug. 16, 2005**

(54) **CARRY BAG**

4,941,586 A * 7/1990 Tarna 220/772
D382,999 S * 9/1997 Rehrig D3/314

(75) Inventor: **Katja Horst, München (DE)**

FOREIGN PATENT DOCUMENTS

(73) Assignee: **Peter Reisenthel, Puchheim (DE)**

DE	1 727 705	8/1956
DE	1 918 837	7/1965
DE	1 941 004	6/1966
DE	86 16 885	11/1986
DE	295 13 638	12/1995
DE	297 14 244	2/1998
DE	197 11 915	10/1998
FR	932 019	3/1948
FR	1 127 605	12/1956
WO	95/25658	9/1995

(**) Term: **14 Years**

(21) Appl. No.: **29/187,011**

(22) Filed: **Jul. 24, 2003**

(30) **Foreign Application Priority Data**

Jan. 25, 2003 (DE) 203 01 158
Feb. 13, 2003 (DE) 4 03 01 178
May 15, 2003 (EM) 30630

* cited by examiner

(51) **LOC (8) Cl.** **03-01**

Primary Examiner—Louis S. Zarfaz

(52) **U.S. Cl.** **D3/315**

Assistant Examiner—Monica A Weingart

(58) **Field of Search** D3/201, 232, 233,
D3/239, 240, 241, 242, 243, 244, 245,
246, 247, 248, 249, 303, 304, 306, 307,
308, 309, 312, 314, 315; D11/148; 150/100,
102, 107, 110, 118, 129, 130, 131, 132,
143, 146; 190/100, 107, 110, 112, 113,
115, 119, 900, 902, 903; 383/10, 29, 42,
93, 95, 97, 98, 104, 109, 117, 121.1, 127,
901; 206/305; 217/122, 123, 124, 125;
220/575, 676, 669, 772; 224/240, 242,
259, 269, 647, 667, 668; 229/104, 114,
117

(74) *Attorney, Agent, or Firm*—Ladas & Parry

(57) **CLAIM**

The ornamental design for a carry bag, as shown and described.

DESCRIPTION

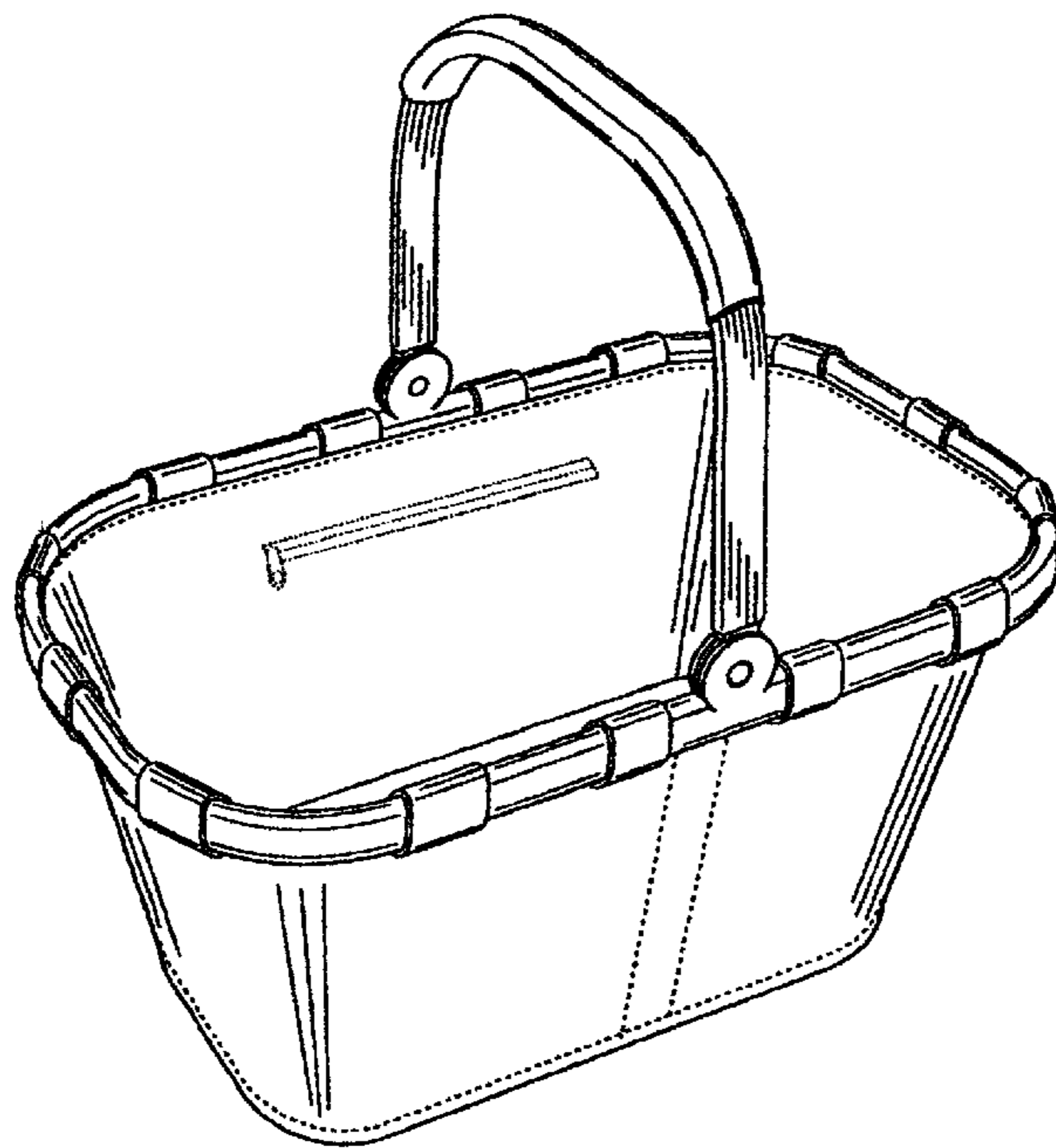
FIG. 1 is a front perspective view of a carry bag showing my new design;
FIG. 2 is a left side elevational view thereof, the right side view being a mirror image thereof;
FIG. 3 is a front elevational view thereof, the back view being a mirror image thereof;
FIG. 4 is a top view thereof; and,
FIG. 5 is a bottom view thereof.
The broken line showing of a zipper closure, in FIG. 1, and feet, in FIGS. 2, 3, and 5, is for illustrative purposes only and forms no part of the claimed design.

(56) **References Cited**

U.S. PATENT DOCUMENTS

665,731 A * 1/1901 Engberg 229/114
674,358 A * 5/1901 Haskell 217/124
821,010 A * 5/1906 Wilcox 217/122
D234,616 S * 3/1975 Meyers D3/304

1 Claim, 3 Drawing Sheets



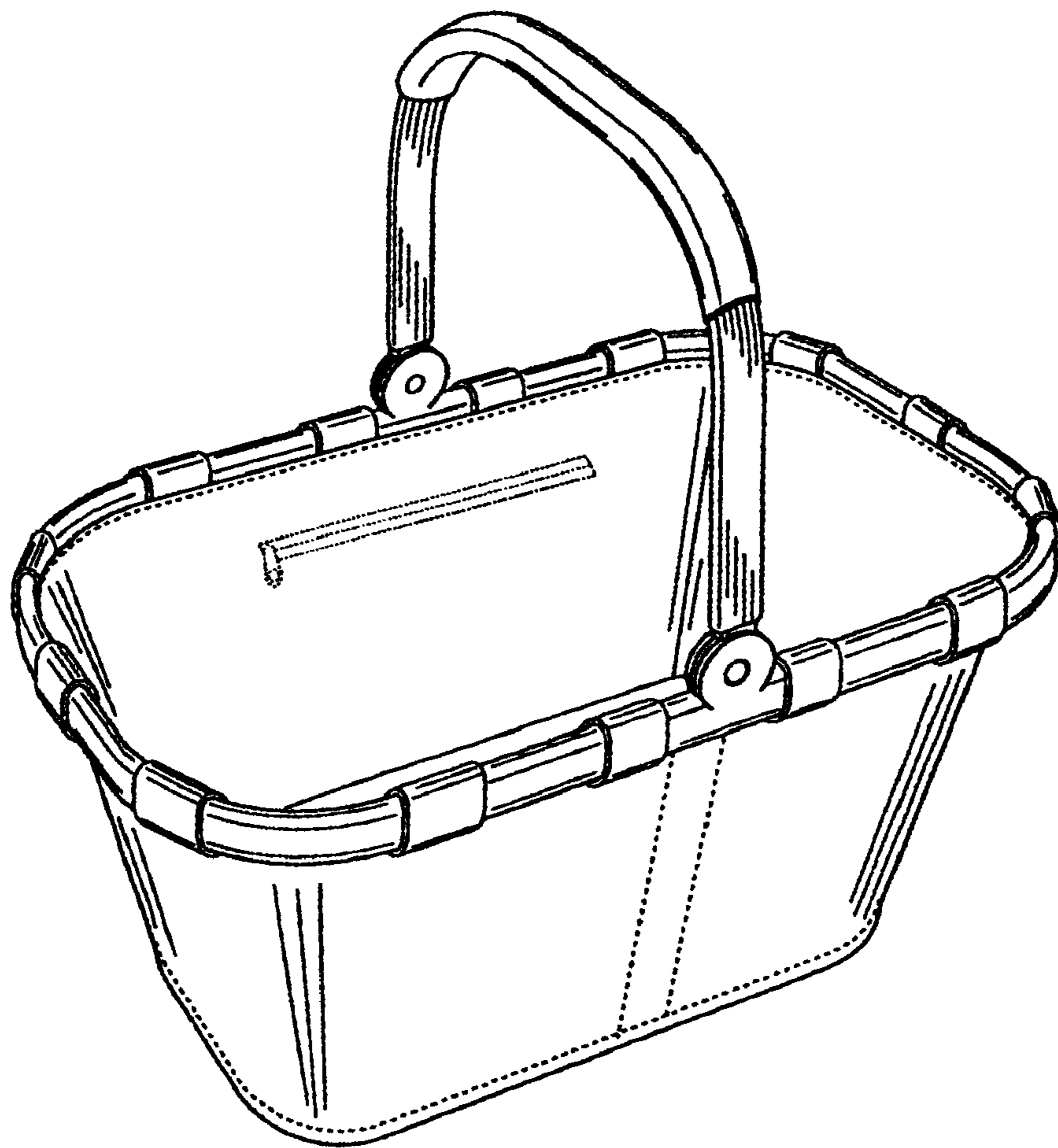


FIG. 1

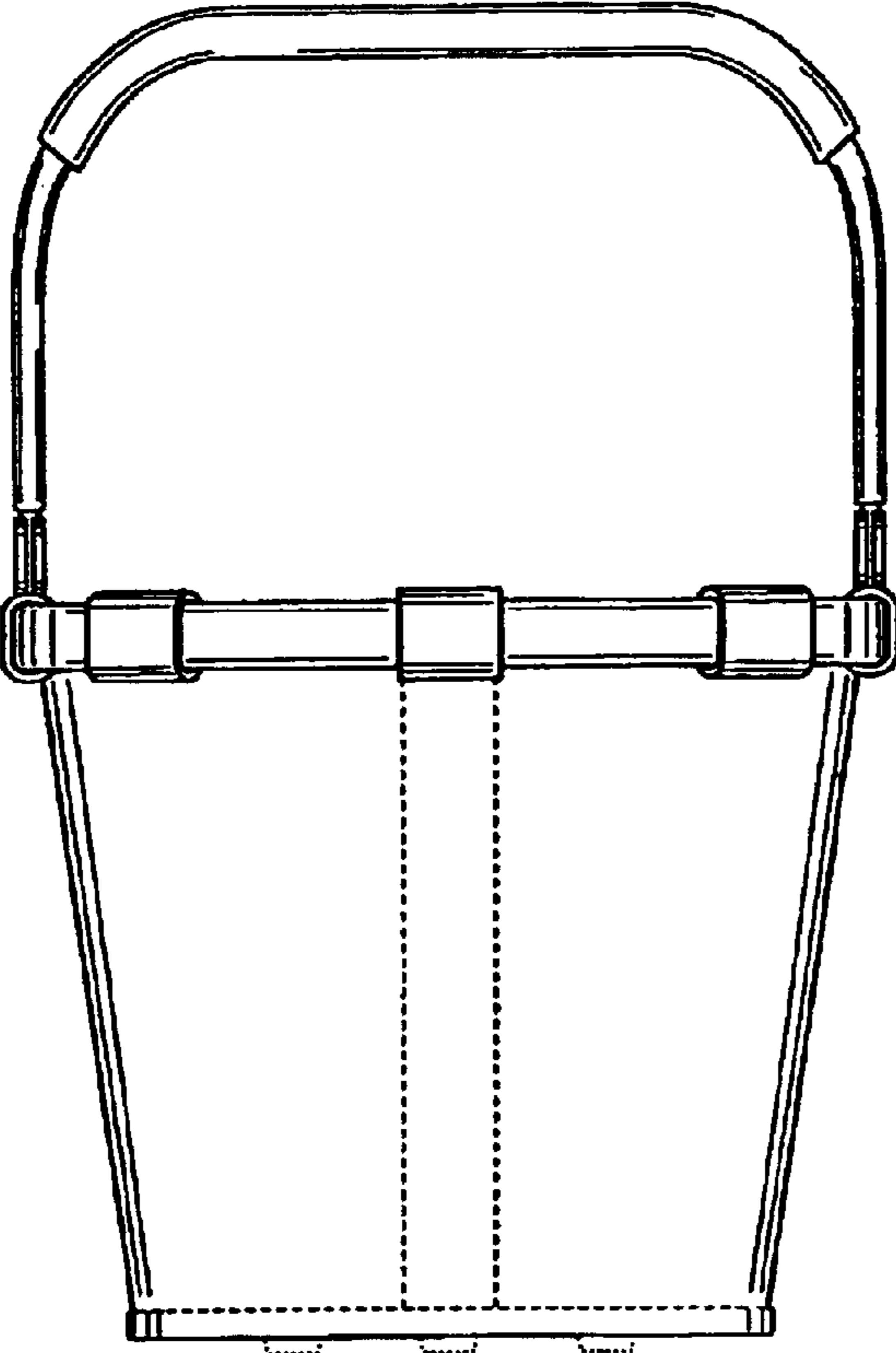


FIG. 2

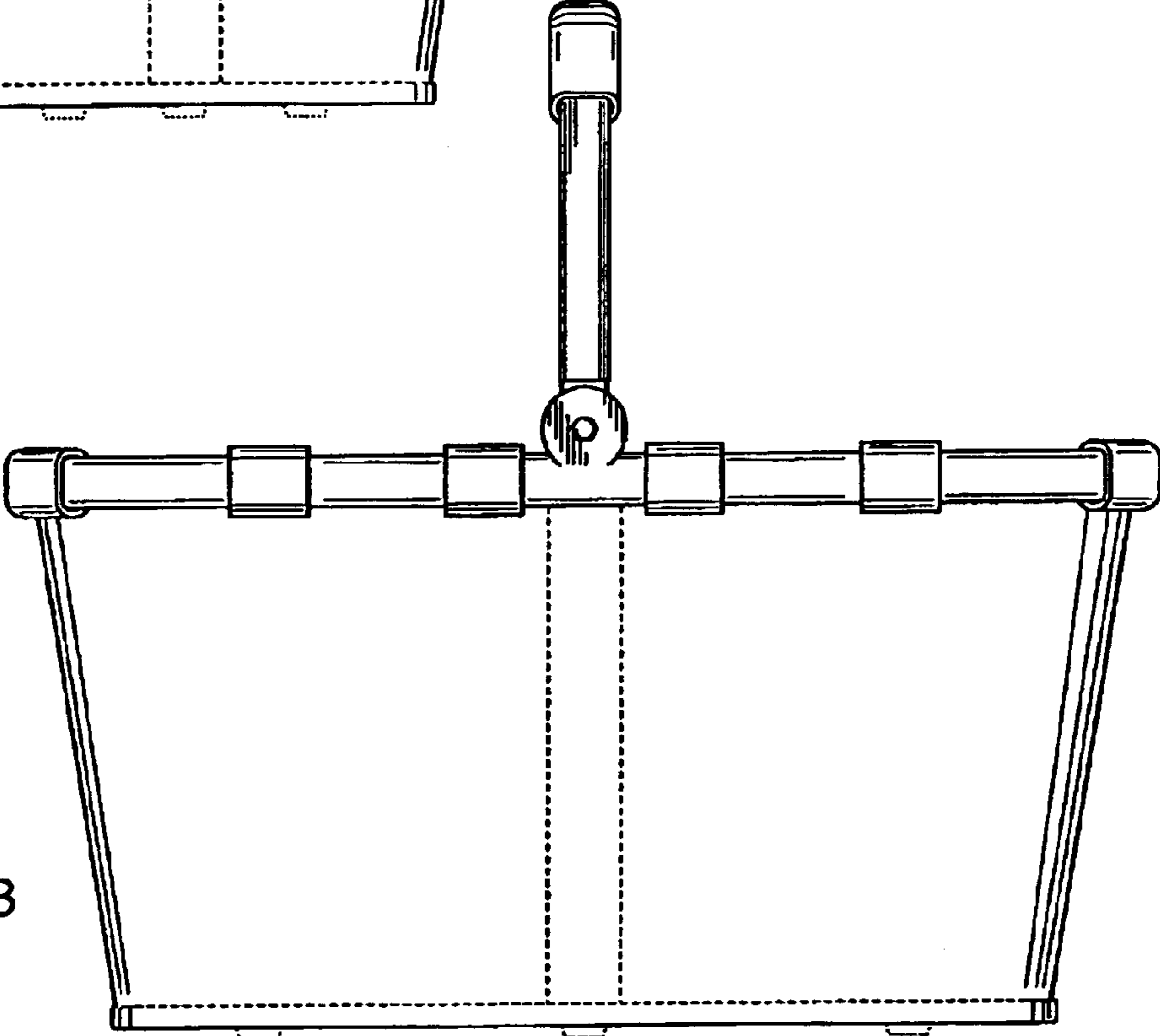


FIG. 3

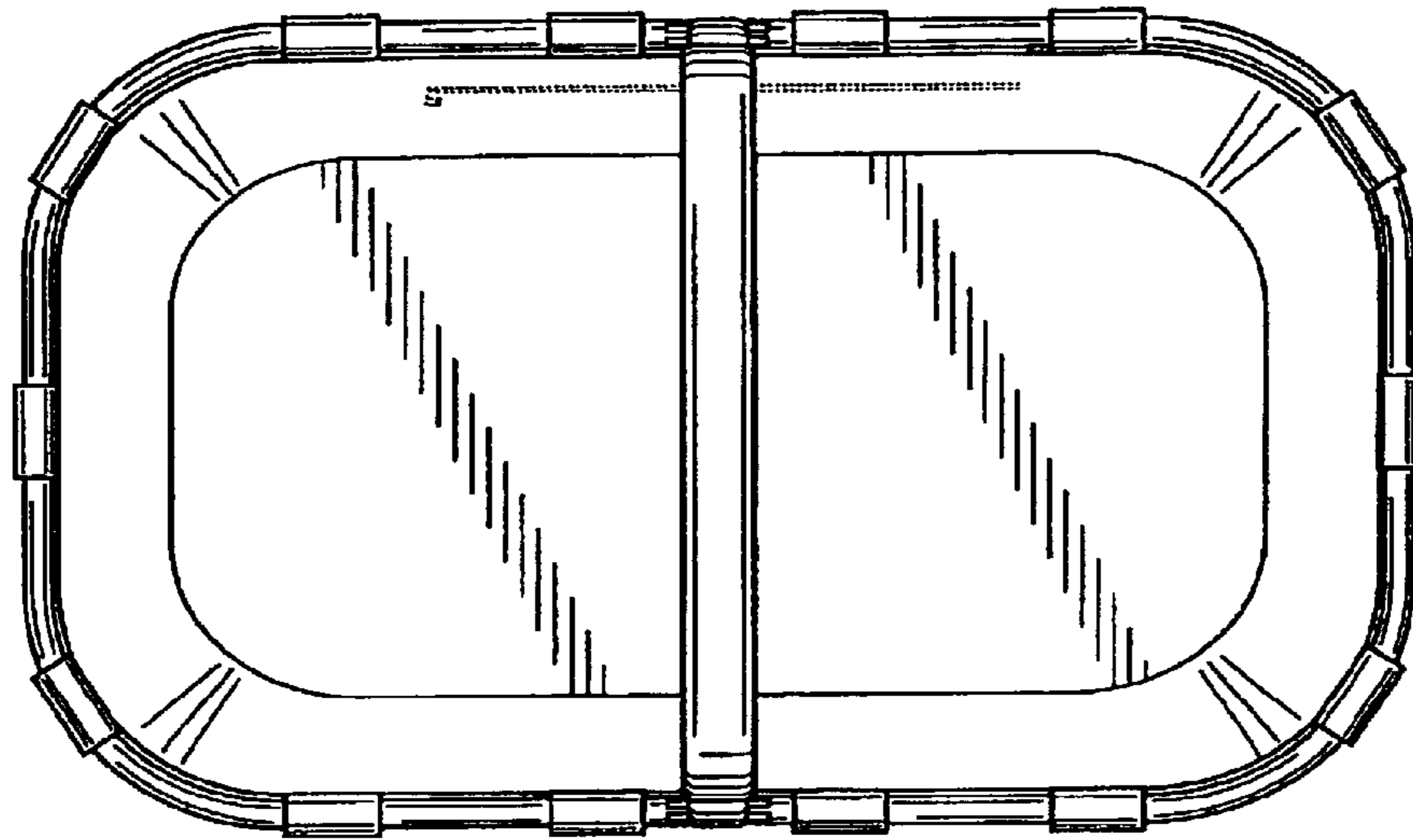


FIG. 4

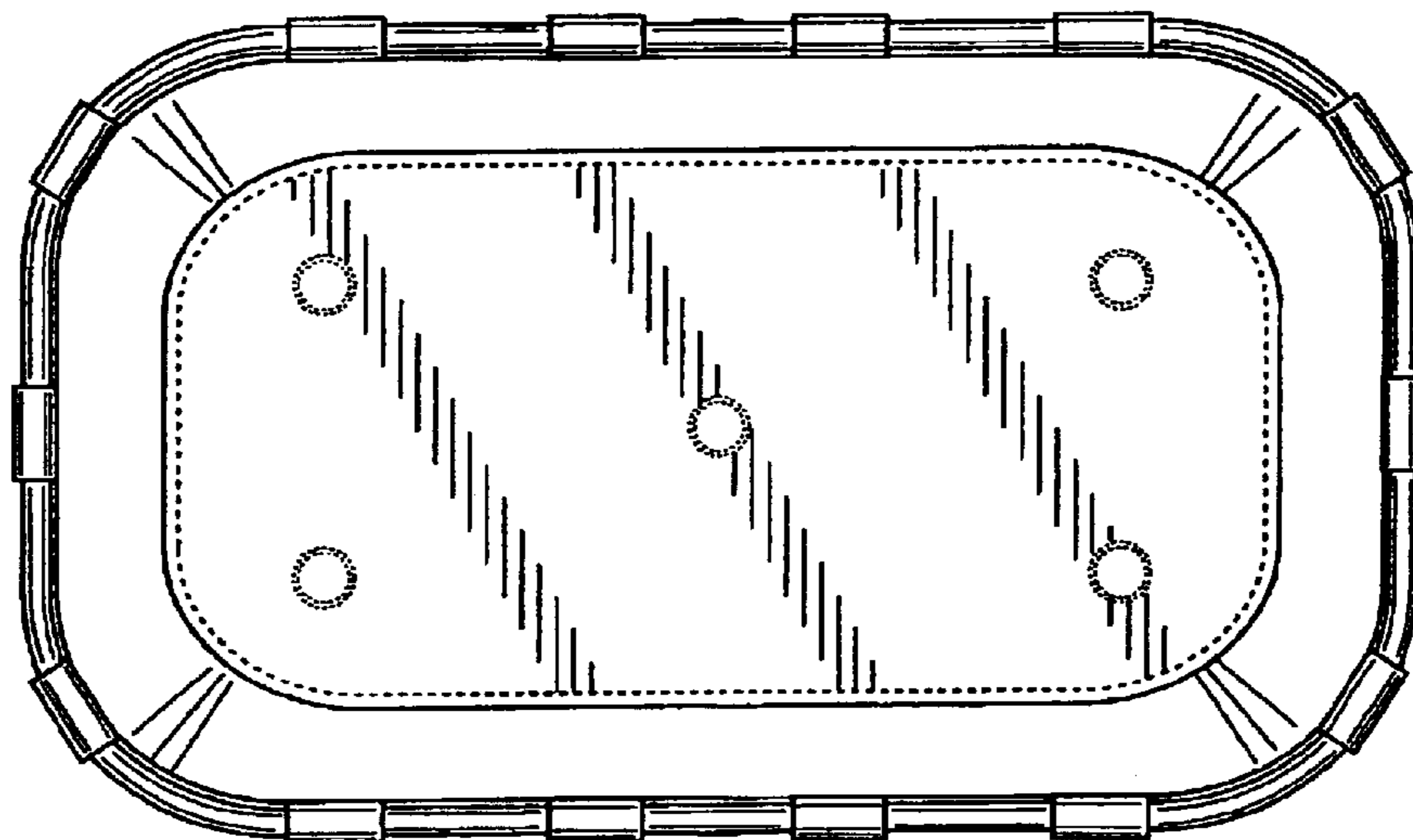


FIG. 5