

US00D508319S

(12) **United States Design Patent**  
**Pleskunas**

(10) **Patent No.:** **US D508,319 S**  
(45) **Date of Patent:** **\*\* Aug. 16, 2005**

(54) **FISHING FLY STORAGE BOX WITH  
SLIDING COVER**

(76) **Inventor:** **Stanley A. Pleskunas**, 1061 Elkhorn  
Rd., Watsonville, CA (US) 95076

(\*\*) **Term:** **14 Years**

(21) **Appl. No.:** **29/205,585**

(22) **Filed:** **May 18, 2004**

(51) **LOC (8) Cl.** ..... **03-01**

(52) **U.S. Cl.** ..... **D3/260**

(58) **Field of Search** ..... D3/254, 260, 201,  
D3/203.3, 205, 206, 273, 298, 300, 905;  
206/315.11; 43/57.1, 57.2, 54.1; 220/528

(56) **References Cited**

**U.S. PATENT DOCUMENTS**

2,610,430	A	*	9/1952	Neiman	.....	43/57.1
2,801,492	A	*	8/1957	Katwyk et al.	.....	43/57.1
2,846,806	A	*	8/1958	Gaines	.....	43/57.1
4,653,220	A	*	3/1987	Olsen, Sr.	.....	43/57.1
5,392,557	A	*	2/1995	Harmon et al.	.....	43/57.1
5,555,671	A	*	9/1996	Voight et al.	.....	43/57.1
5,606,820	A	*	3/1997	Suddeth	.....	43/57.1
D475,852	S	*	6/2003	Peterson	.....	D3/260
6,766,610	B1	*	7/2004	Lin	.....	43/54.1

\* cited by examiner

*Primary Examiner*—Philip S. Hyder  
(74) *Attorney, Agent, or Firm*—Richard D. Clarke

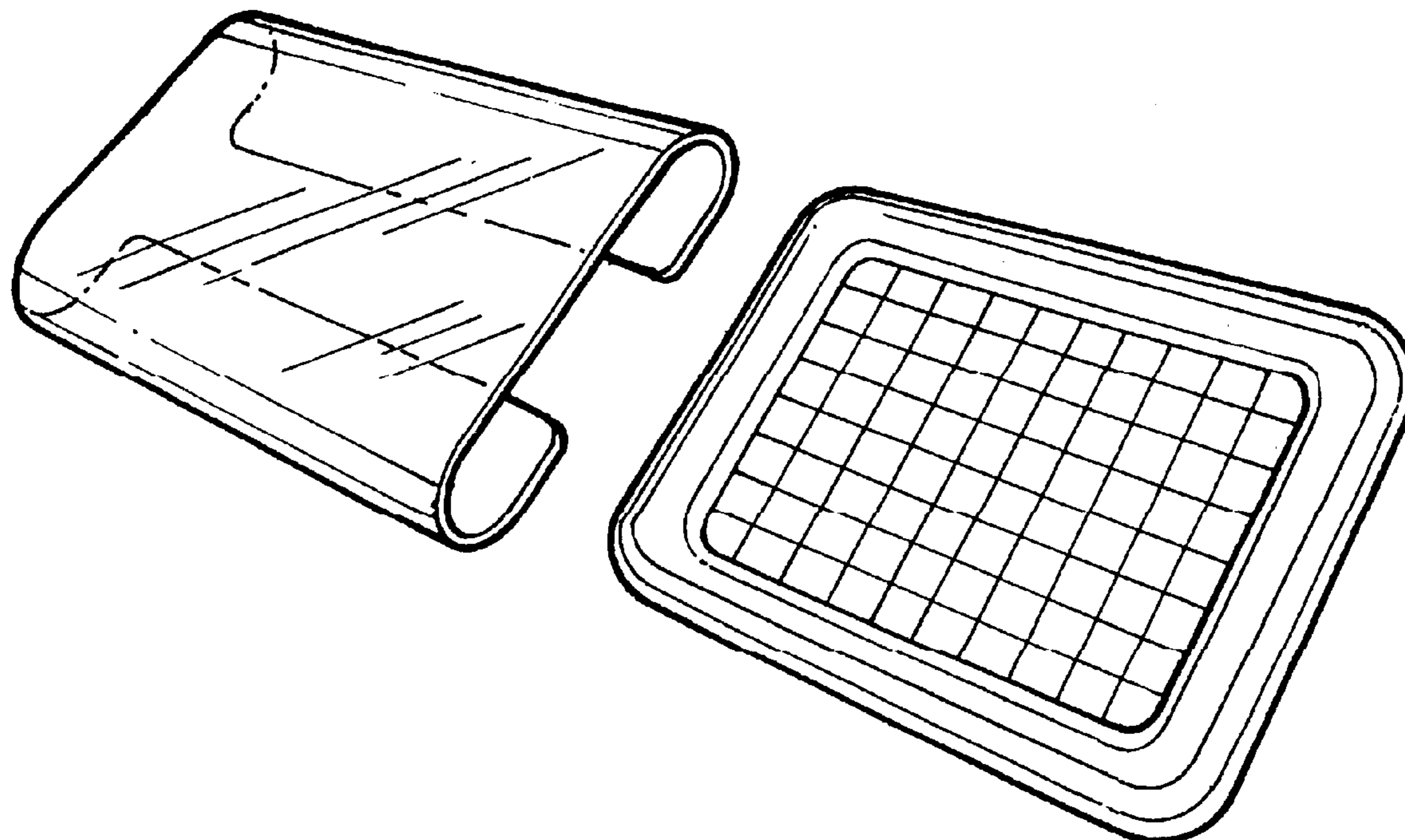
(57) **CLAIM**

The ornamental design for a fishing fly storage box with sliding cover, as shown and described.

**DESCRIPTION**

FIG. 1 is a perspective view of a fishing fly storage box with sliding cover, showing my new design;  
 FIG. 2 is a top plan view of the fishing fly storage box portion of the design;  
 FIG. 3 is a bottom plan view of the fishing fly storage box portion of the design;  
 FIG. 4 is a side elevation view of the fishing fly storage box portion of the design, for which the opposite side view is an image of the same;  
 FIG. 5 is a front elevational view of the fishing fly storage box portion of the design, for which the opposite rear view is an identical image of the same;  
 FIG. 6 is a perspective view of the sliding cover portion of the design;  
 FIG. 7 is a top plan view of the sliding cover portion of the design;  
 FIG. 8 is a front elevational view of the sliding cover portion of the design, for which the opposite rear view is an identical image of the same;  
 FIG. 9 is a bottom plan view of the sliding cover portion of the design; and,  
 FIG. 10 is a side elevation view of the sliding cover portion of the design, for which the opposite side view is an image of the same.

**1 Claim, 2 Drawing Sheets**



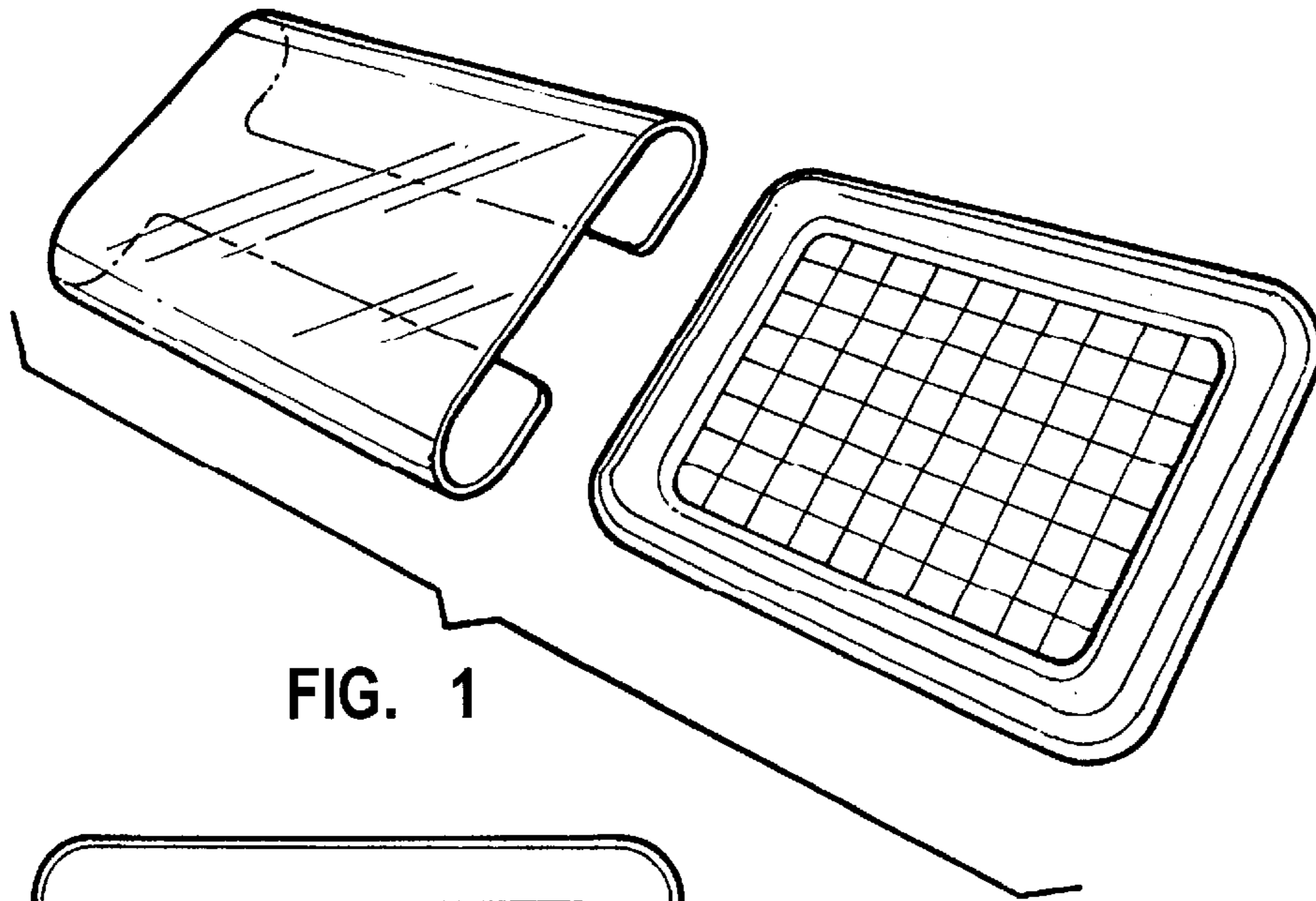


FIG. 1

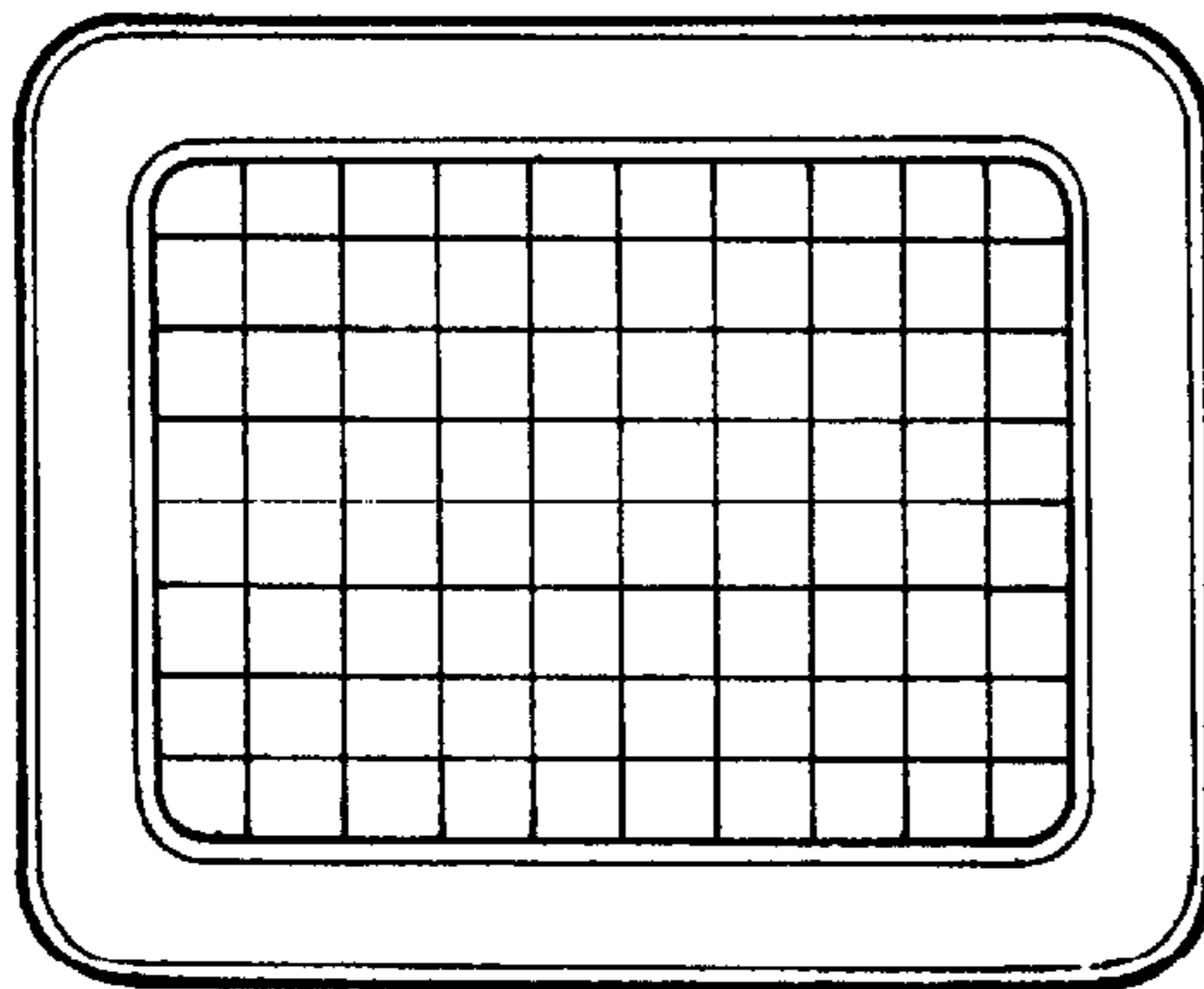


FIG. 2

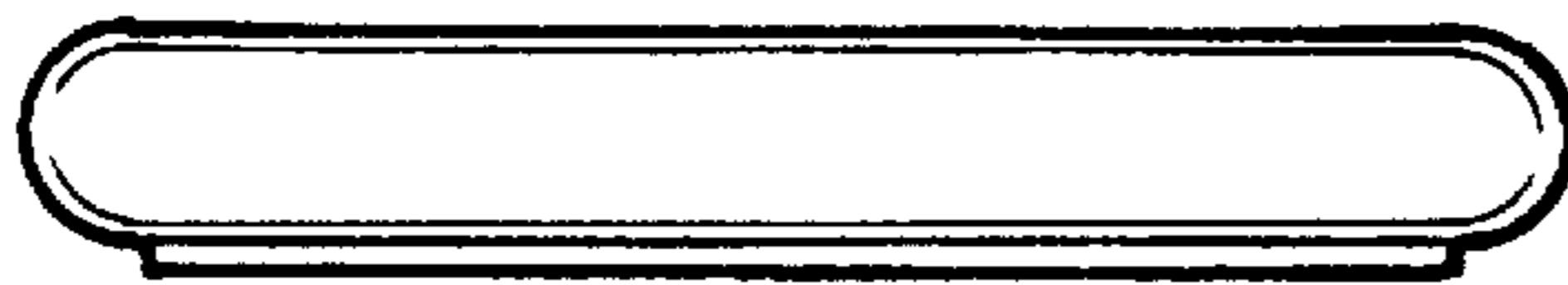


FIG. 4

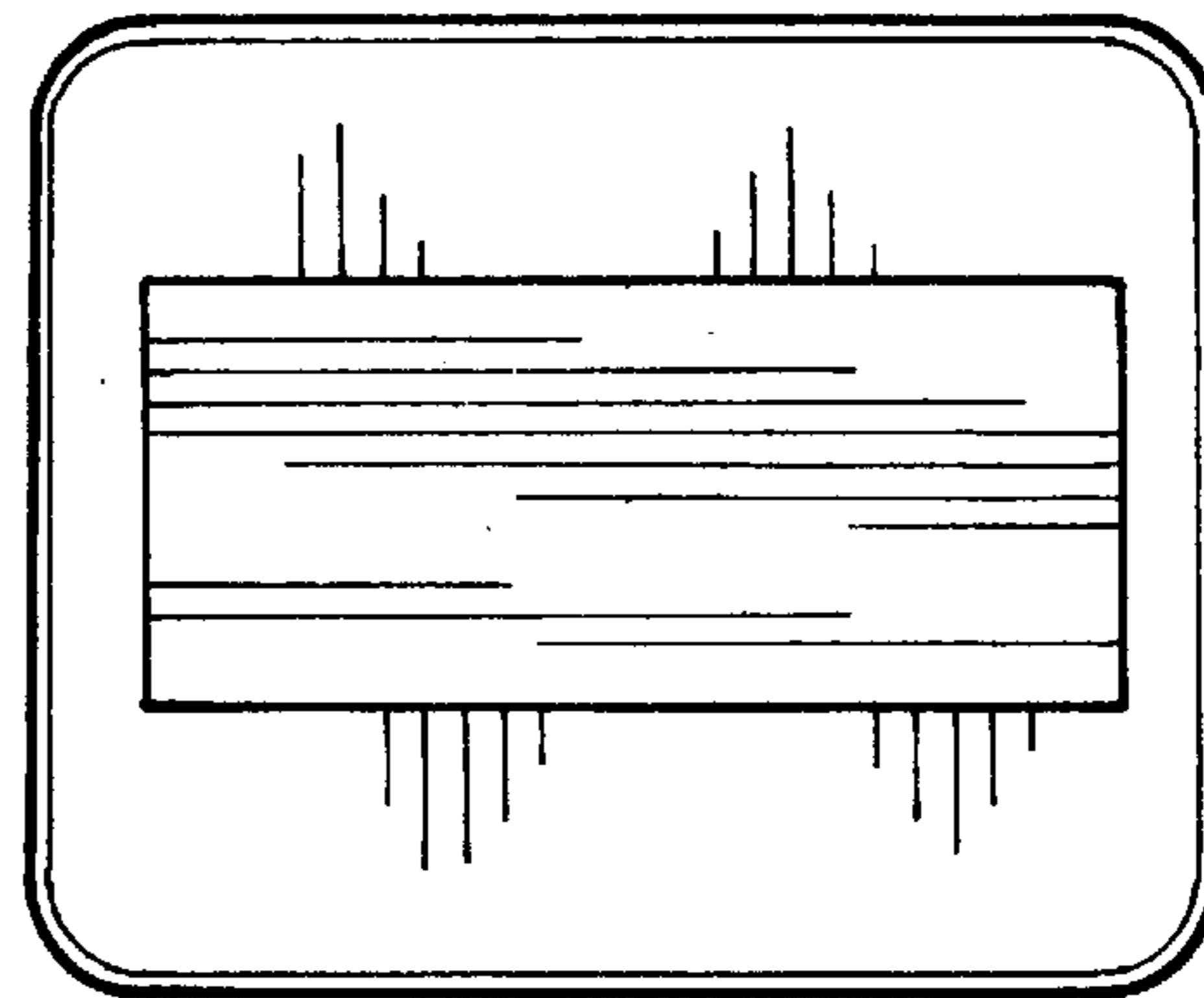


FIG. 3

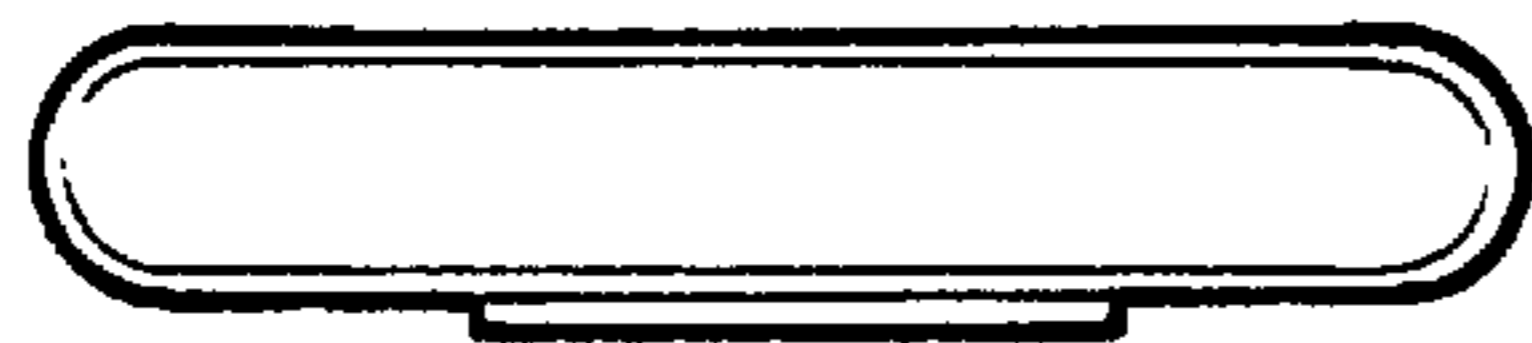


FIG. 5

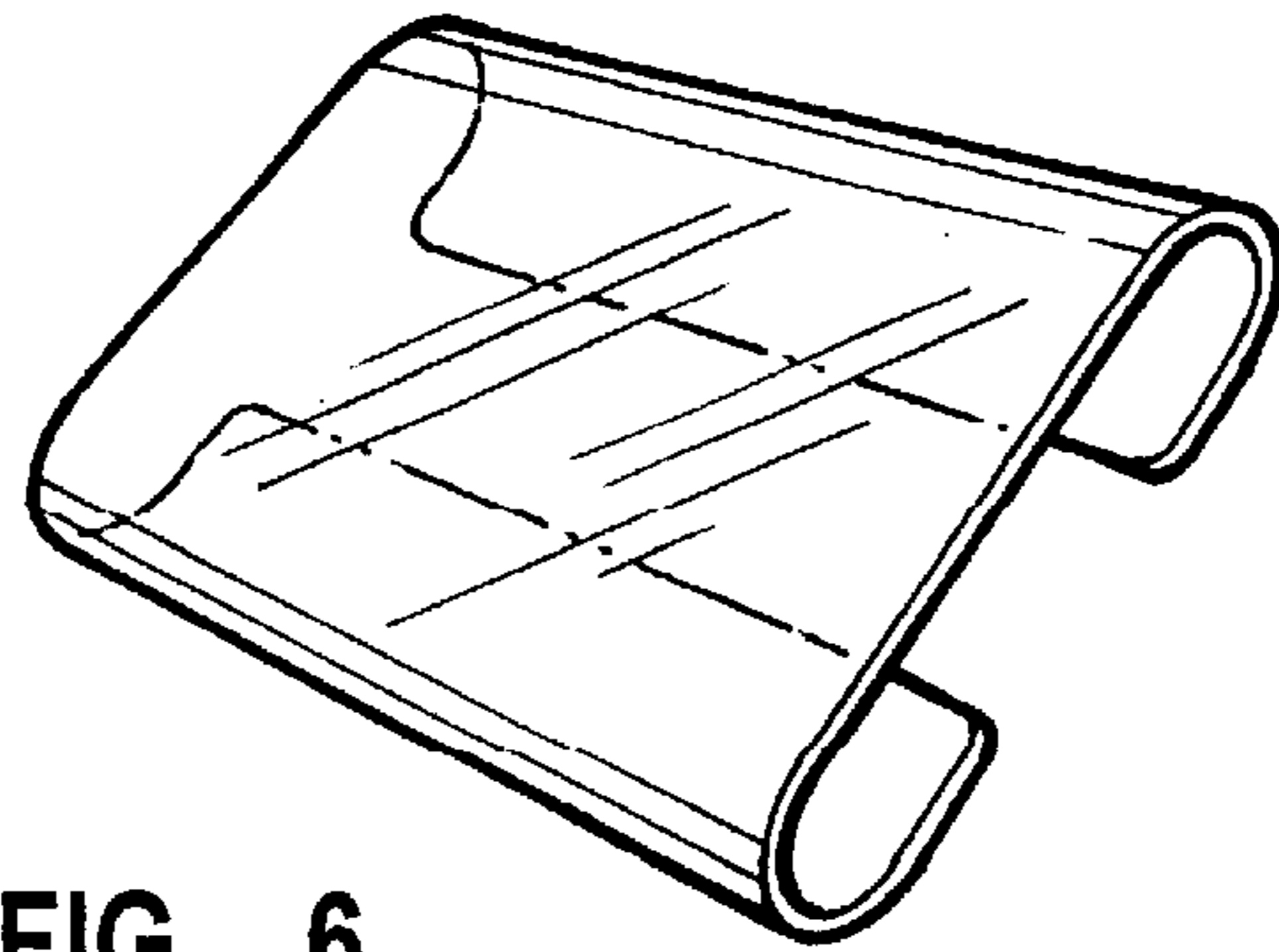


FIG. 6

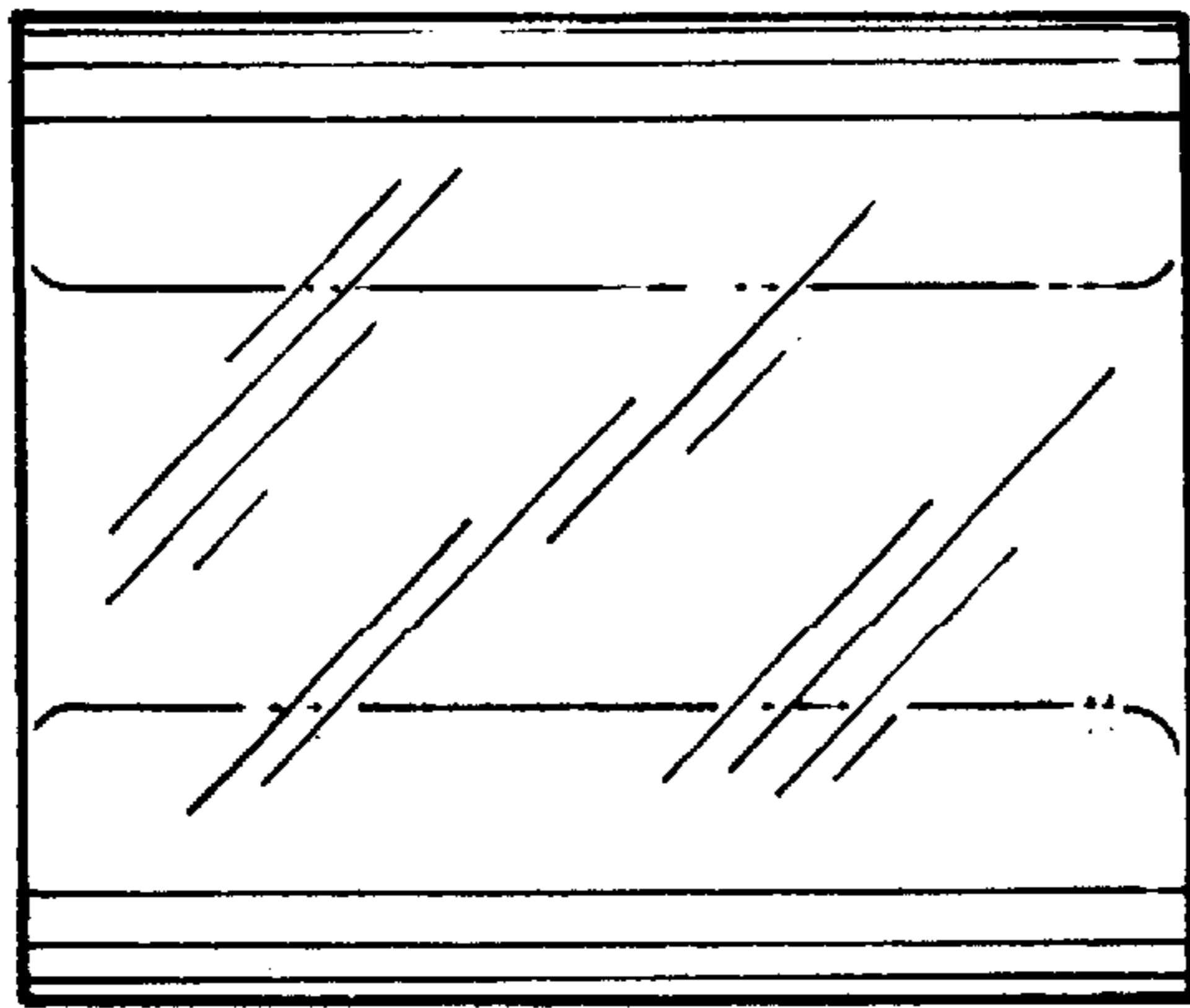


FIG. 7



FIG. 8

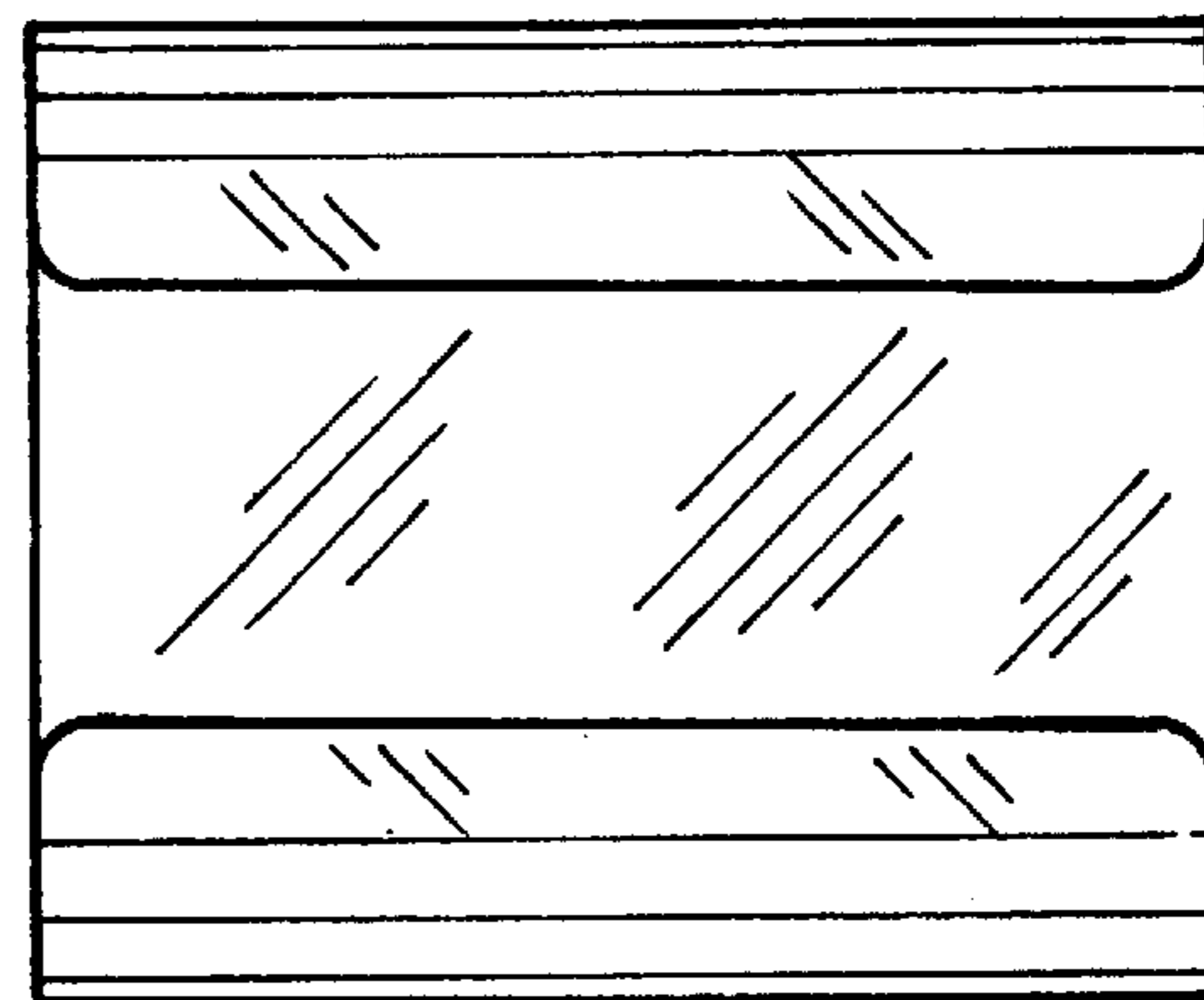


FIG. 9

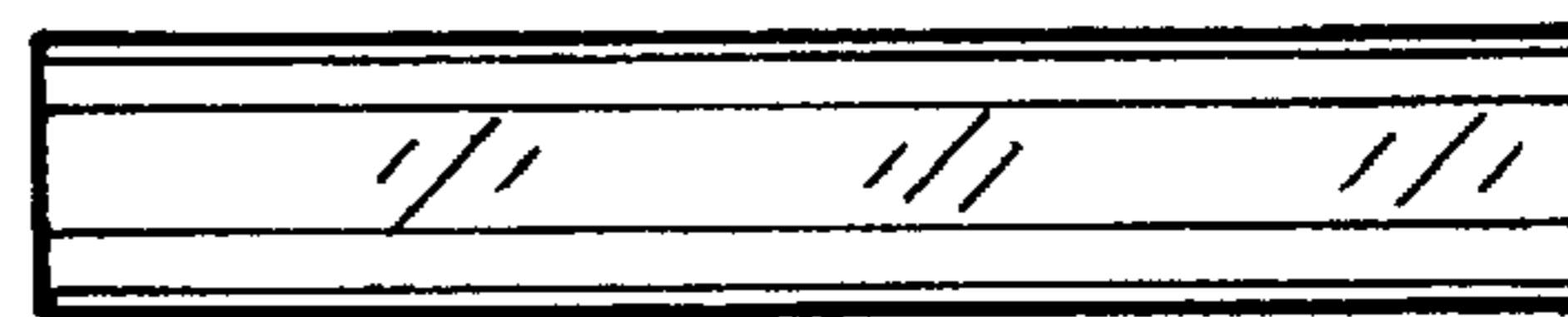


FIG. 10