



US00D508317S

(12) **United States Design Patent** (10) **Patent No.:** **US D508,317 S**  
**Kanzawa** (45) **Date of Patent:** **\*\* Aug. 16, 2005**

(54) **SHEATH FOR SAW**

(74) *Attorney, Agent, or Firm*—Koda & Androlia

(75) **Inventor:** **Kuniyuki Kanzawa, Miki (JP)**

(57) **CLAIM**

(73) **Assignee:** **Kanzawa Seiko Co., Ltd., Hyogo (JP)**

The ornamental design for a sheath for saw, as shown and described.

(\*\*) **Term:** **14 Years**

**DESCRIPTION**

(21) **Appl. No.:** **29/210,447**

FIG. 1 is a front elevational view of the sheath for saw showing my new design;

(22) **Filed:** **Jul. 30, 2004**

FIG. 2 is a rear elevational view thereof;

(30) **Foreign Application Priority Data**

Feb. 24, 2004 (JP) ..... 2004-005326

FIG. 3 is right side elevational view thereof;

(51) **LOC (8) Cl.** ..... **03-01**

FIG. 4 is a left side elevational view thereof;

(52) **U.S. Cl.** ..... **D3/220**

FIG. 5 is a top plan view thereof;

(58) **Field of Search** ..... D3/220, 262, 269;  
D8/95, 93; 30/151, 504, 514, 161; 206/349,  
806, 372-373

FIG. 6 is a bottom plan view thereof;

FIG. 7 is a perspective view taken from the front, right side and top of the sheath;

(56) **References Cited**

**U.S. PATENT DOCUMENTS**

- D414,330 S \* 9/1999 Eriksson et al. .... D3/220
- 6,076,261 A \* 6/2000 Eriksson et al. .... 30/151
- D476,478 S \* 7/2003 Kanzawa ..... D3/220
- D501,080 S \* 1/2005 Tran ..... D3/220

FIG. 8 is a cross-sectional view taken along the lines 8—8 in FIG. 4;

FIG. 9 is an enlarged cross-sectional view taken along the lines 9—9 in FIG. 5;

FIG. 10 is an enlarged view of the section defined by lines A—A in FIG. 1;

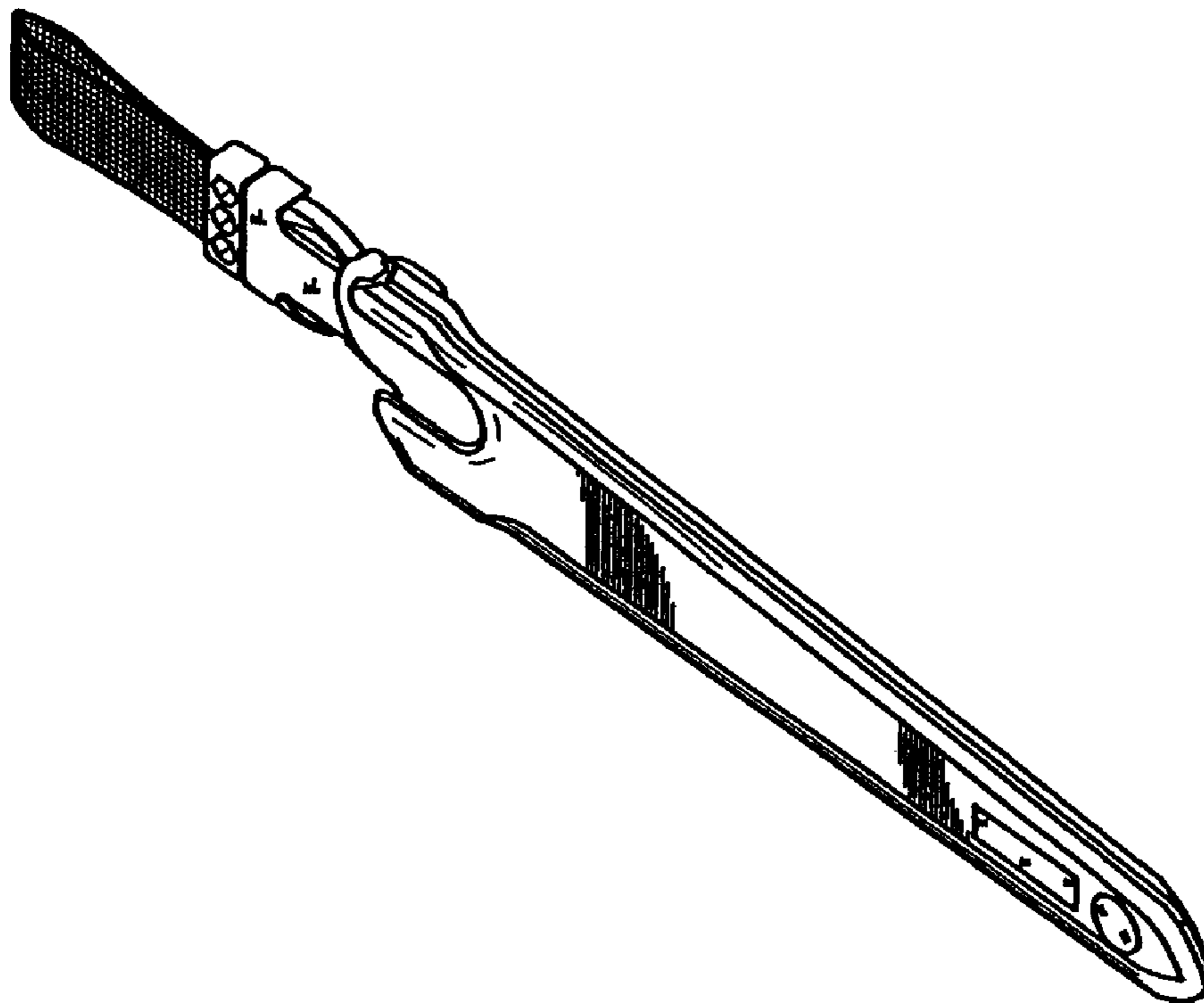
FIG. 11 is an enlarged view of the section defined by the lines A—A in FIG. 1 with the male and female members of the latch of the sheath separated; and,

FIG. 12 is an enlarged view of the section defined by the lines B—B in FIG. 2.

\* cited by examiner

*Primary Examiner*—Catherine R. Oliver

**1 Claim, 12 Drawing Sheets**



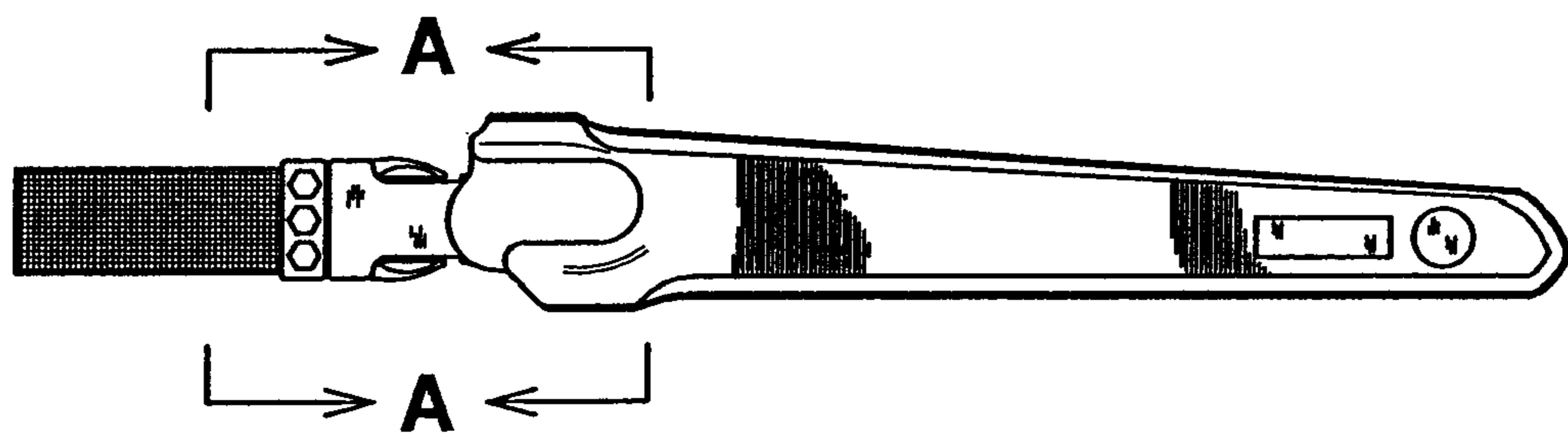


FIG. 1

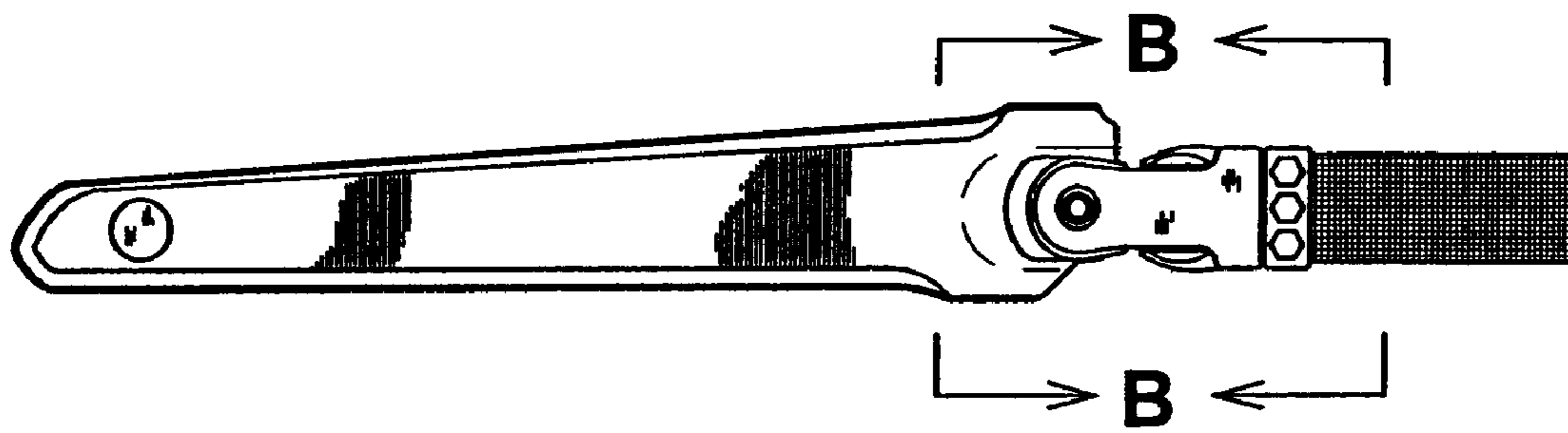
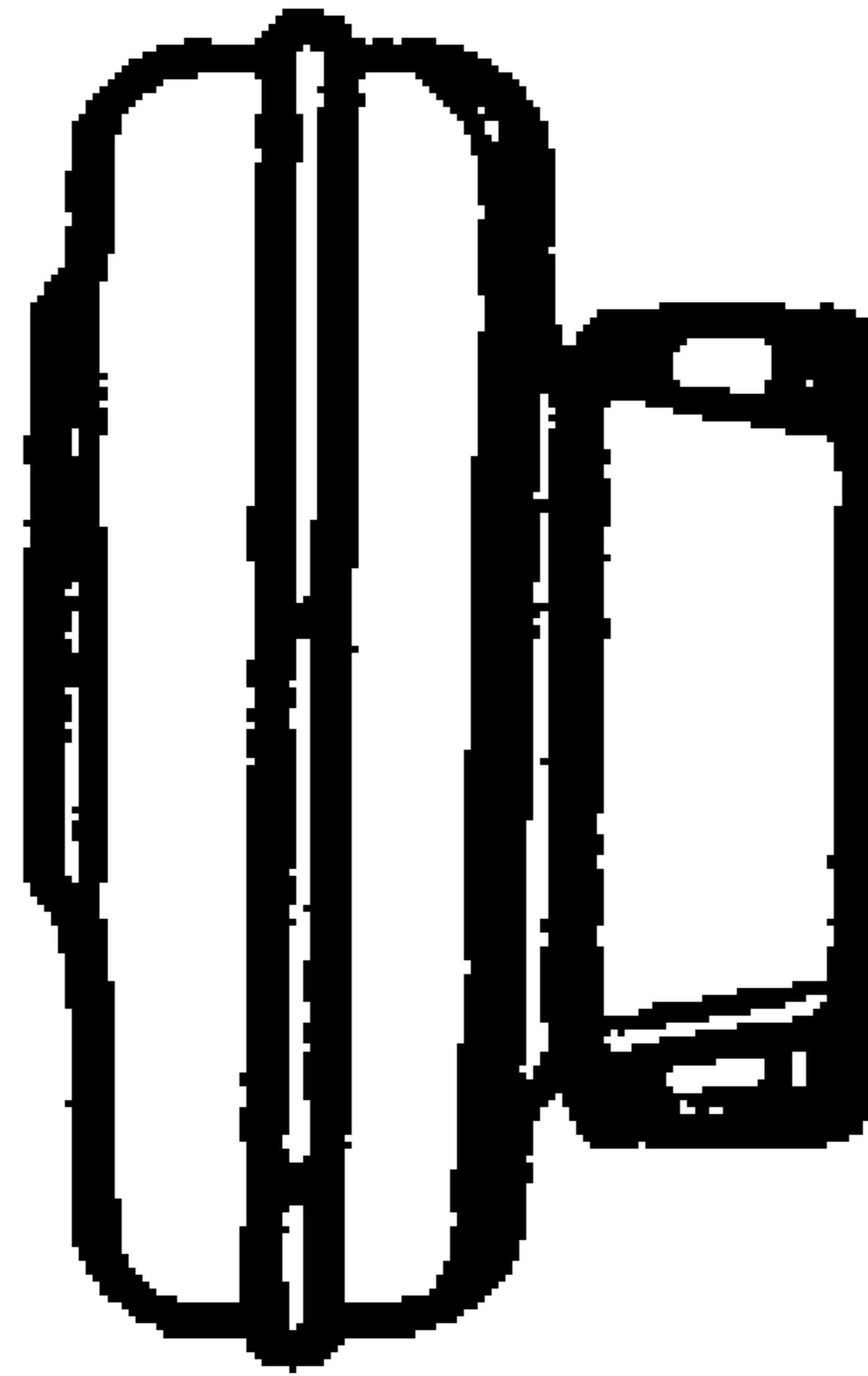
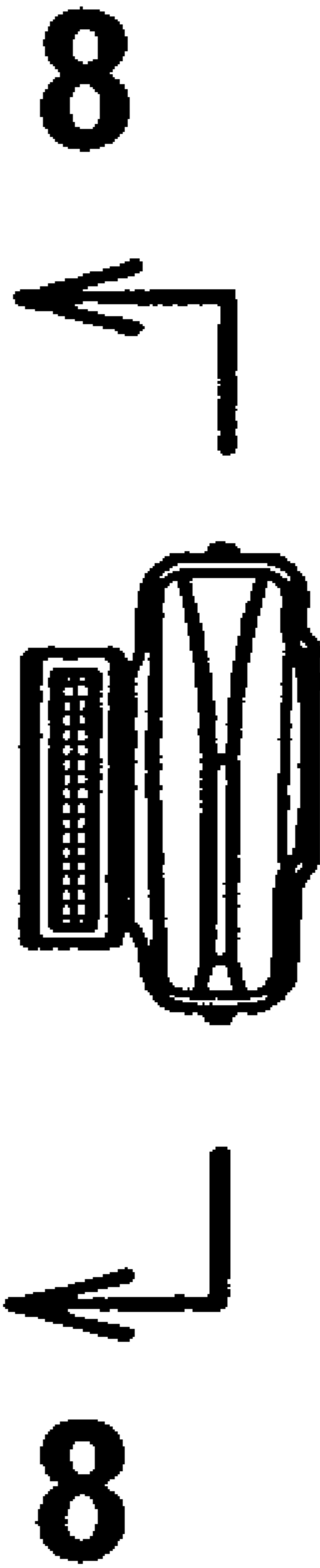


FIG. 2



**FIG. 3**



**FIG. 4**

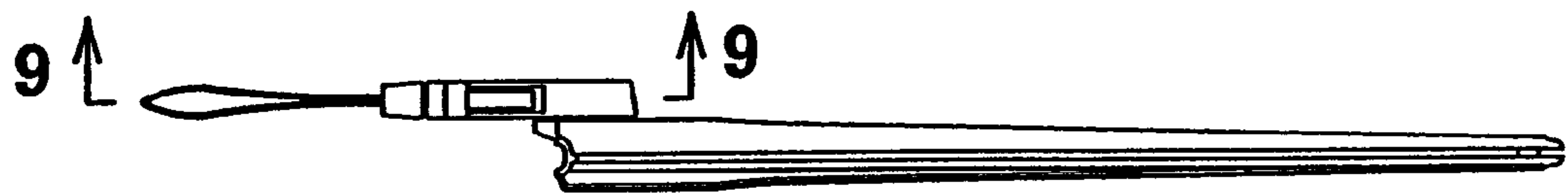
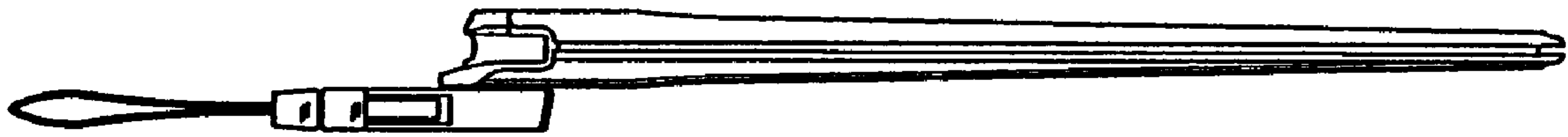


FIG. 5



**FIG. 6**

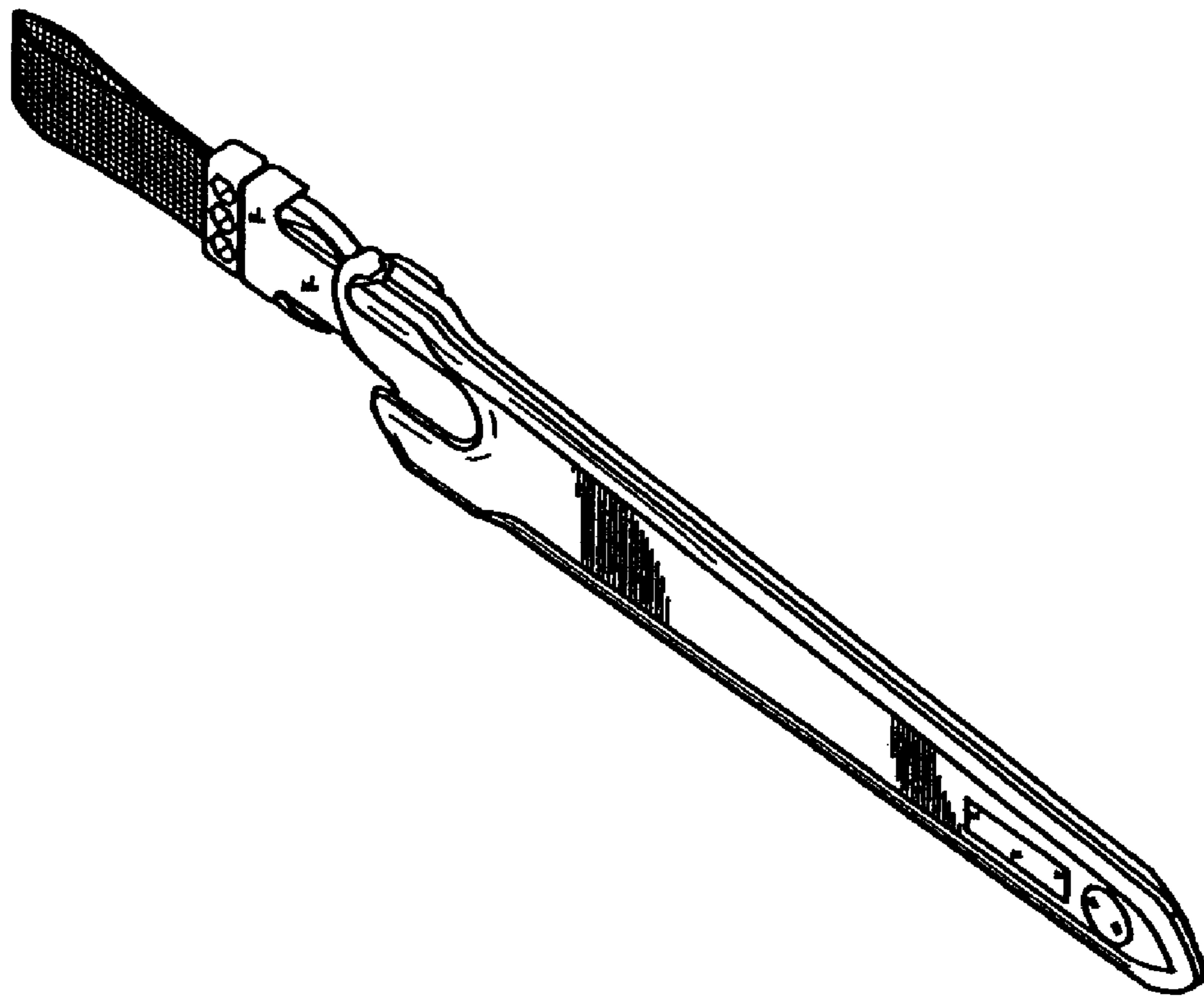
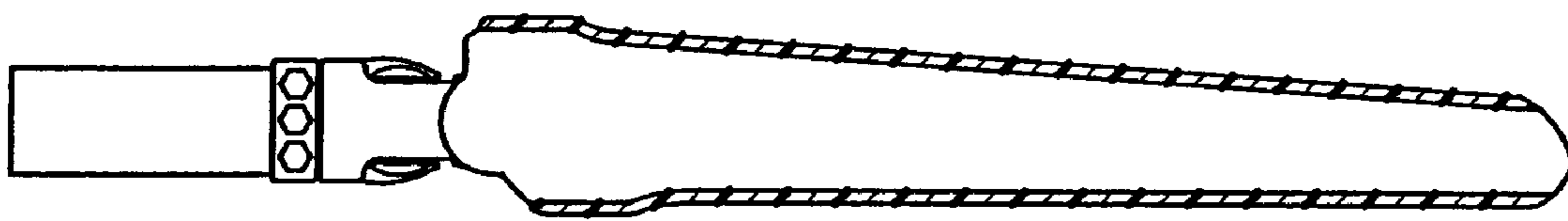
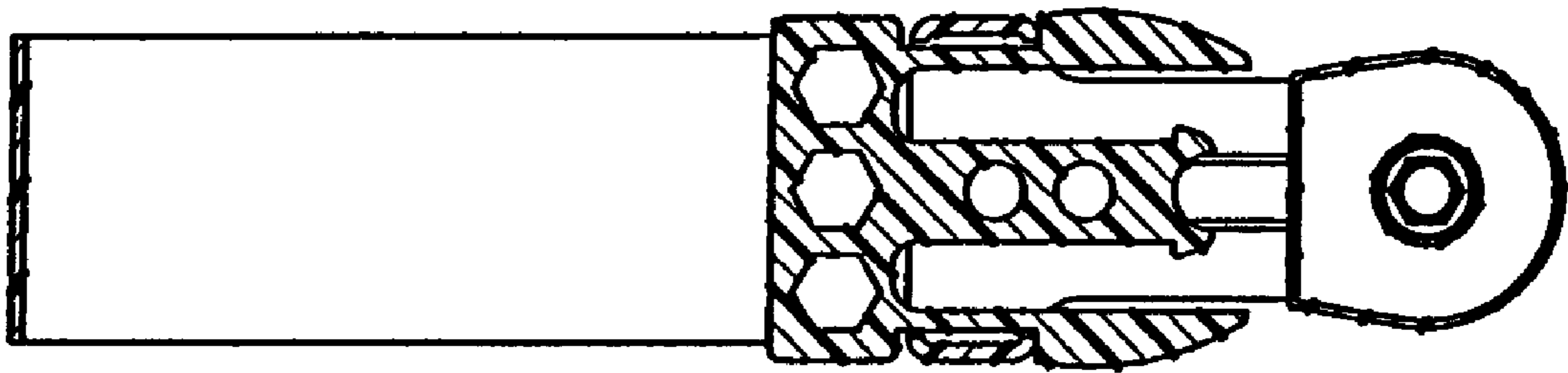


FIG. 7

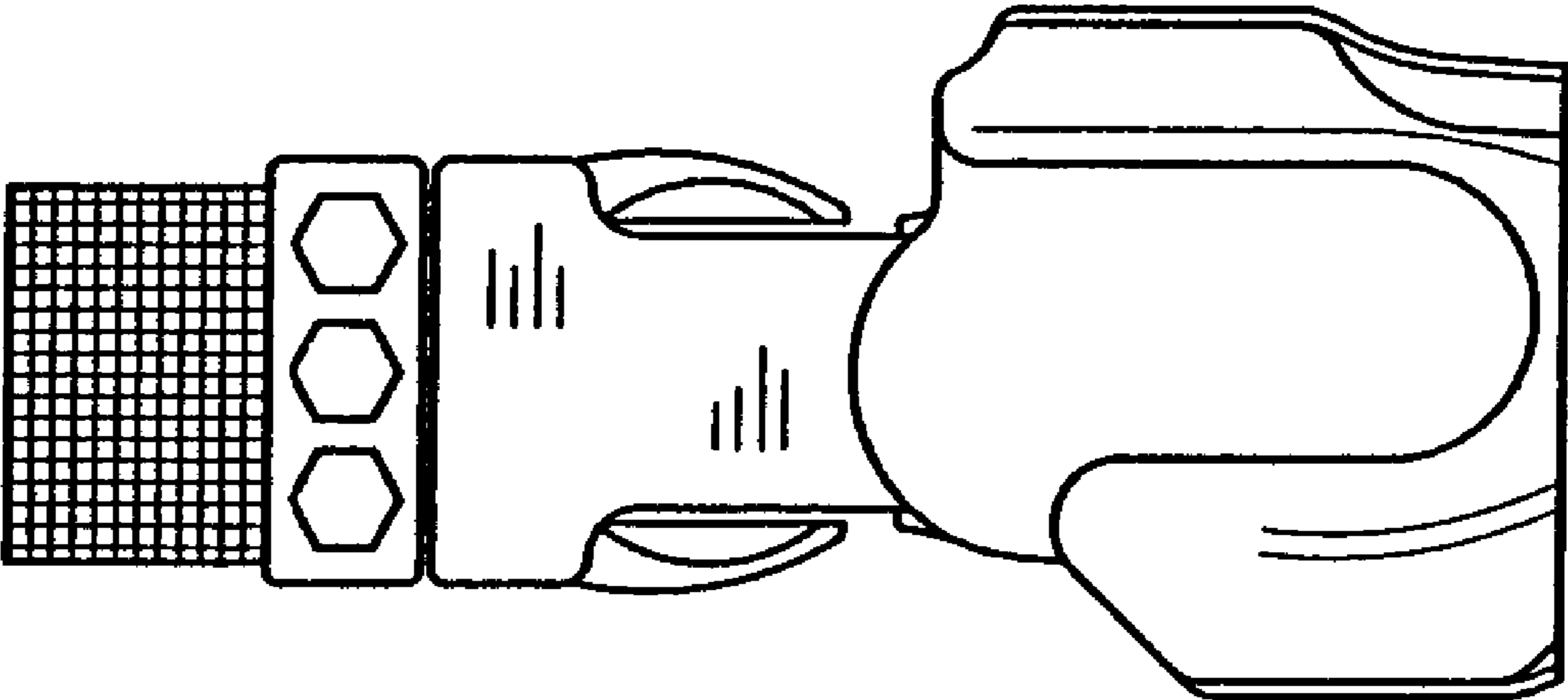




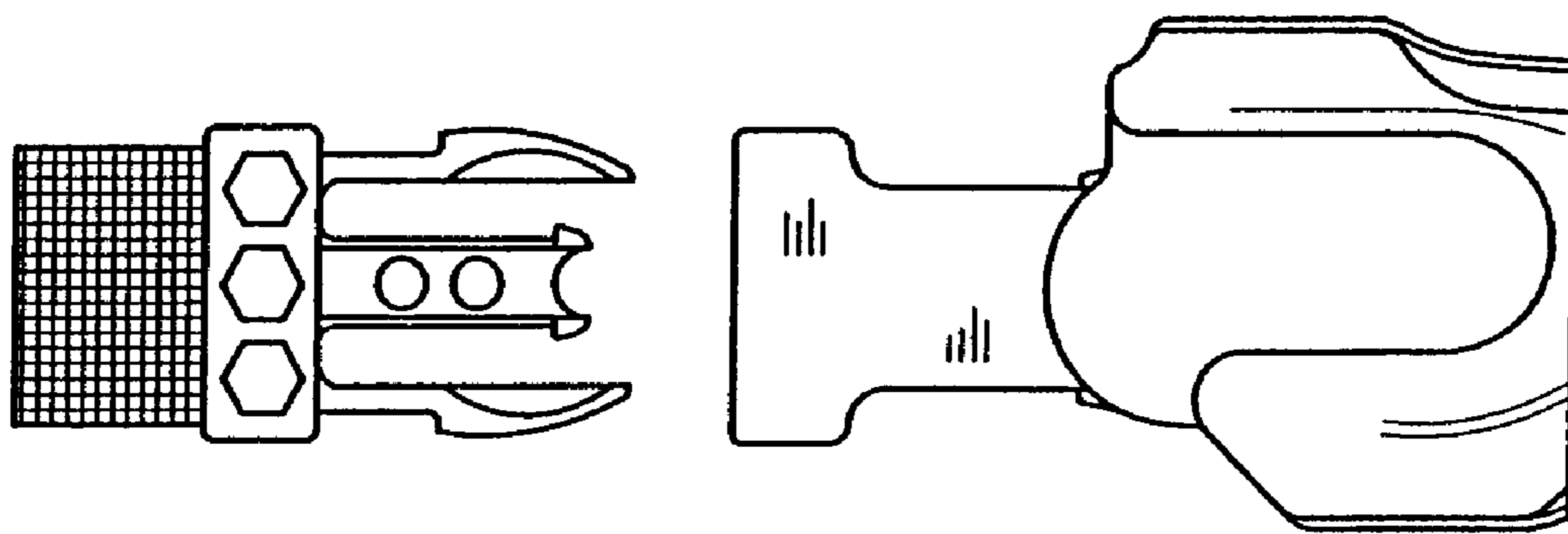
**FIG. 8**



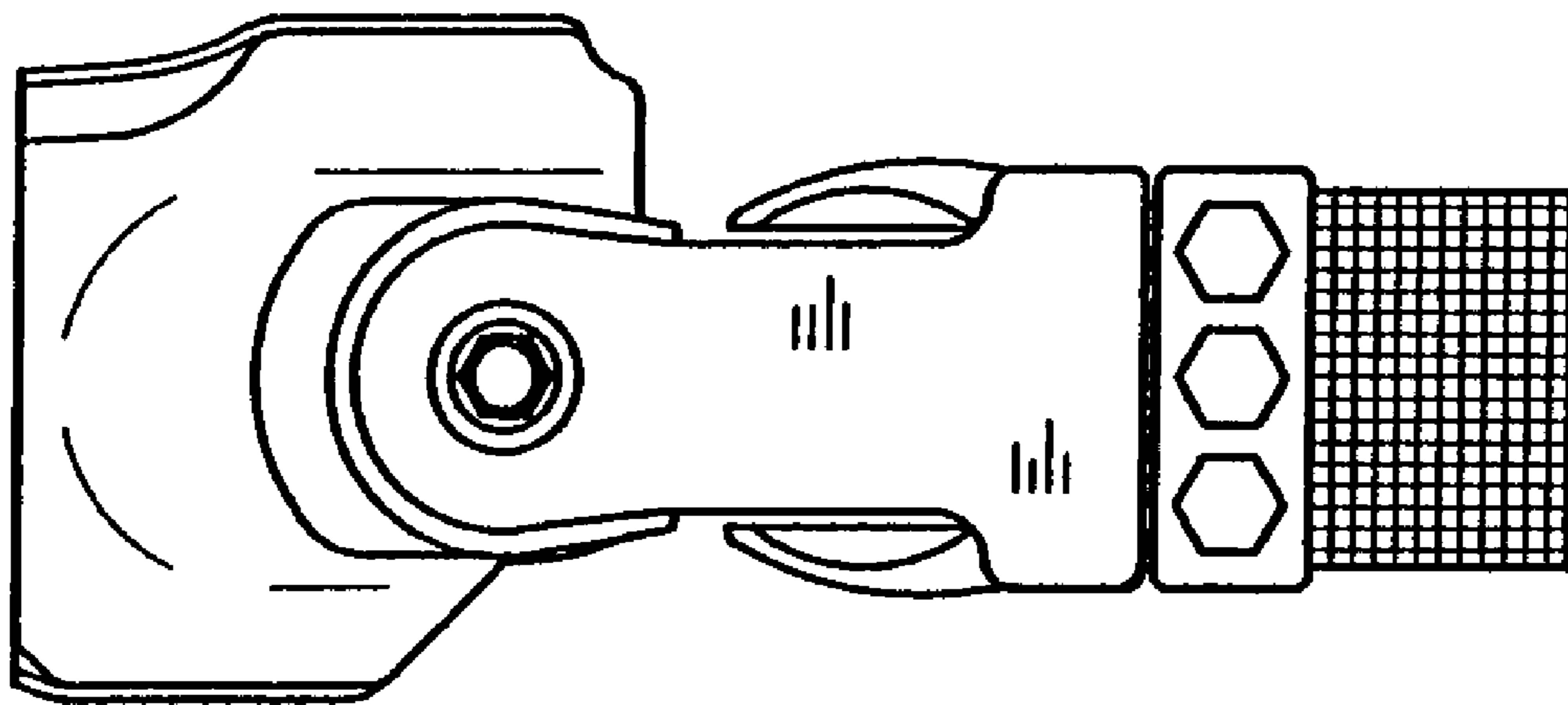
**FIG. 9**



**FIG. 10**



**FIG. 11**



**FIG. 12**