



US00D508313S

(12) **United States Design Patent** (10) **Patent No.:** **US D508,313 S**
Cullen et al. (45) **Date of Patent:** **** Aug. 16, 2005**

(54) **CARRYING CASE FOR HAND-HELD COMPUTING/CONTROLLER DEVICE**

(75) Inventors: **Patrick Cullen**, Dallas, TX (US); **Keith Crow**, The Colony, TX (US)

(73) Assignee: **Advanced Neuromodulation Systems, Inc.**, Plano, TX (US)

(**) Term: **14 Years**

(21) Appl. No.: **29/199,680**

(22) Filed: **Feb. 18, 2004**

(51) **LOC (8) Cl.** **03-01**

(52) **U.S. Cl.** **D3/203.7**

(58) **Field of Search** D3/203.7, 215,
D3/201, 205, 218, 228; 600/528; 224/930,
660, 904, 901, 240, 914

(56) **References Cited**

U.S. PATENT DOCUMENTS

- 6,340,350 B1 * 1/2002 Simms D3/203.1
- D485,060 S * 1/2004 DeCotis D3/215
- 2003/0222109 A1 * 12/2003 Weiss 224/222
- 2004/0256432 A1 * 12/2004 Orenstein 224/660

* cited by examiner

Primary Examiner—Catherine R. Oliver

(74) *Attorney, Agent, or Firm*—Peter R. Lando

(57) **CLAIM**

The design for a carrying case for hand-held computing/controller device, as shown and described.

DESCRIPTION

FIG. 1 is a perspective view illustrating a hand-held computing/controller device in accordance with the present invention;

FIG. 2 is a front view of the carrying case/carrier/holster for hand-held computing/controller device of FIG. 1;

FIG. 3 is a back view of the carrying case/carrier/holster for hand-held computing/controller device of FIG. 1;

FIG. 4 is a side view of the carrying case/carrier/holster for the hand-held computing/controller device of FIG. 1;

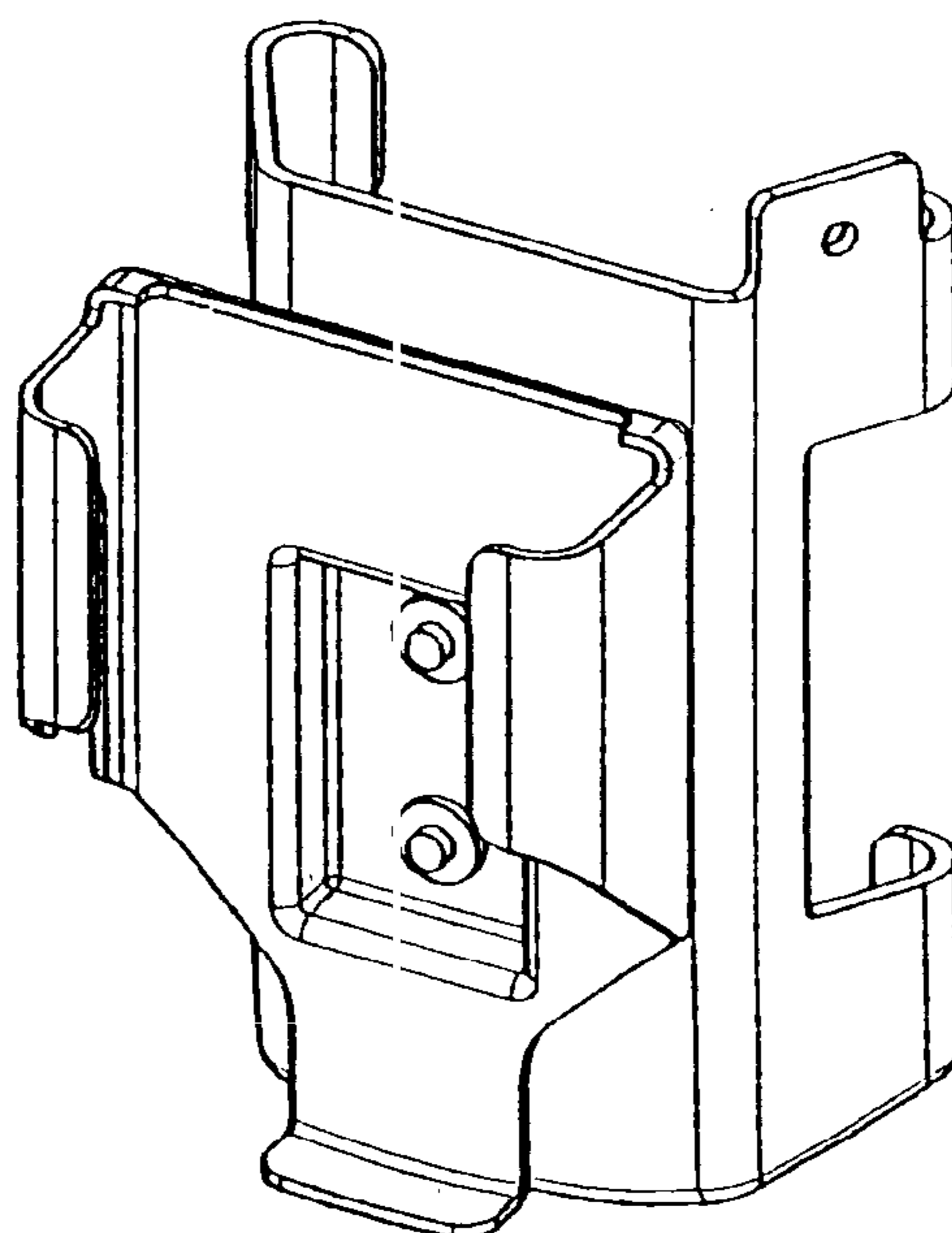
FIG. 5 is another side view of the carrying case/carrier/holster for the hand-held computing/controller device of FIG. 1;

FIG. 6 is an end view of the carrying case/carrier/holster for the hand-held computing/controller device of FIG. 1; and

FIG. 7 is another end view of the carrying case/carrier/holster for the hand-held computing/controller device of FIG. 1;

As shown in FIGS. 1 through 7, the device of the present invention includes two portions adapted to receive and hold/carry one or more devices.

1 Claim, 1 Drawing Sheet



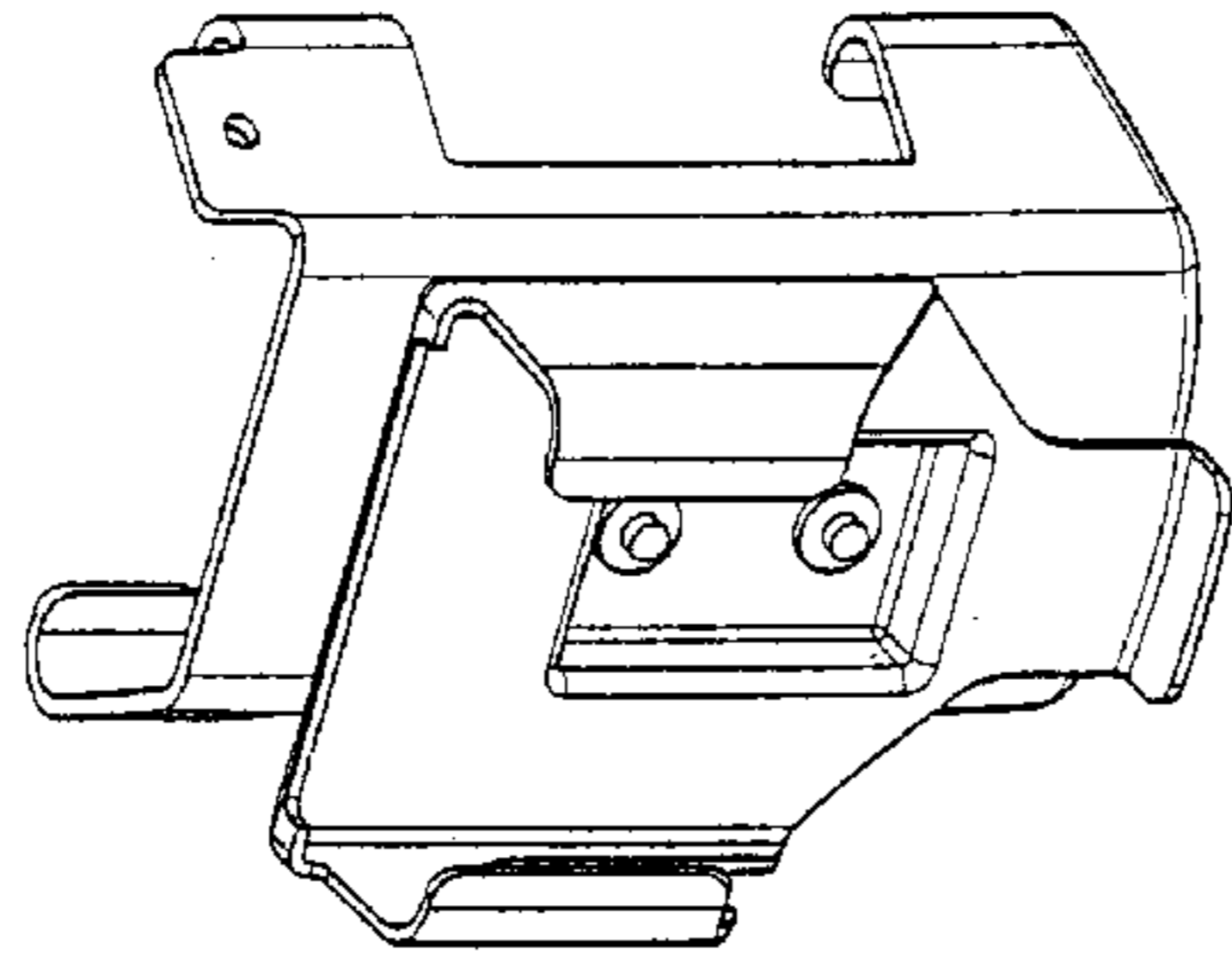


FIGURE 1

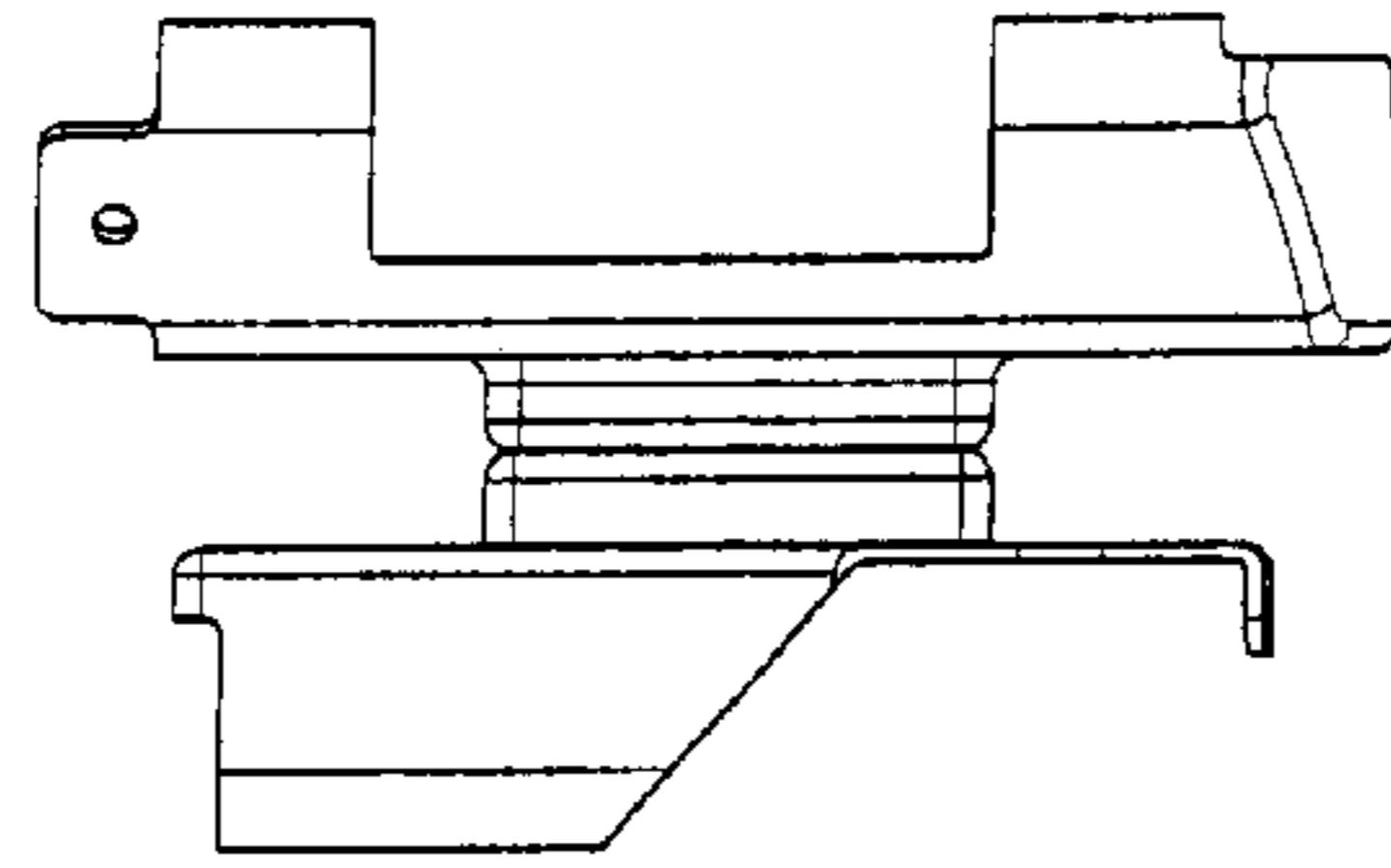


FIGURE 5

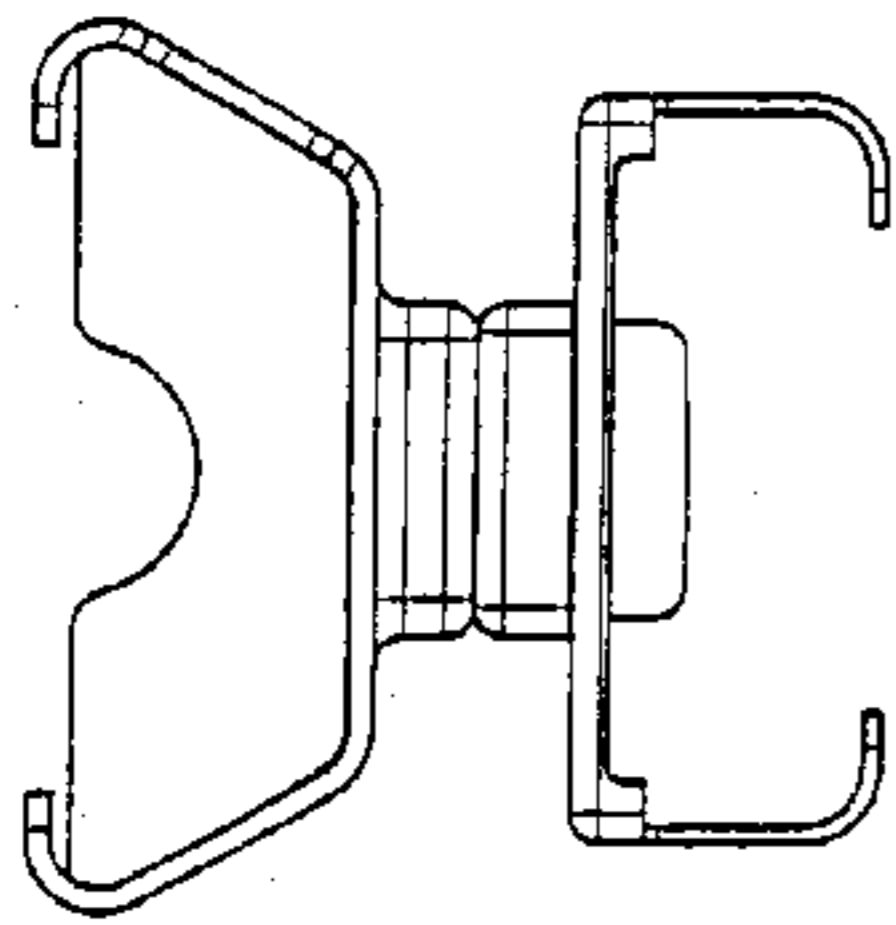


FIGURE 7

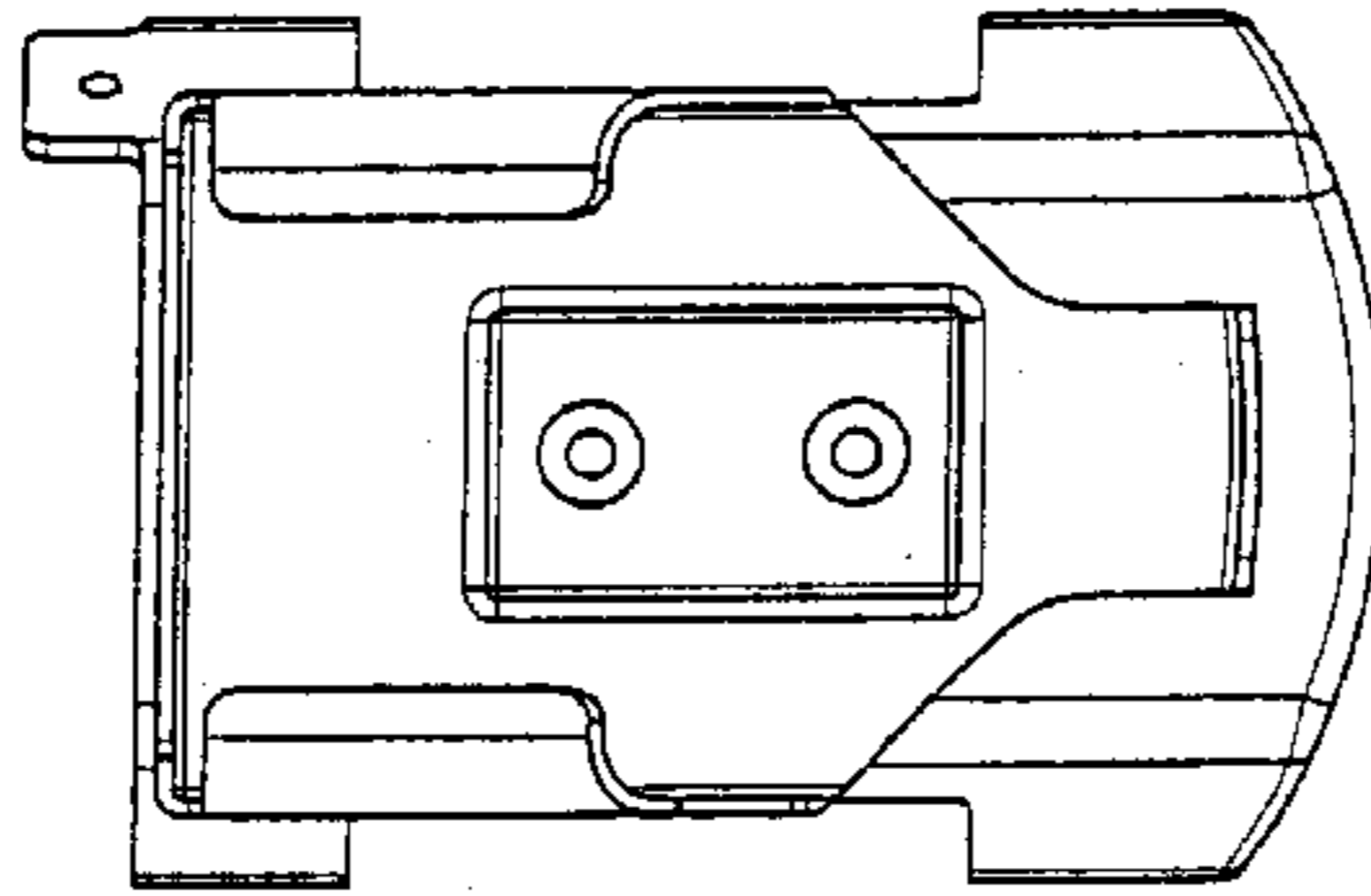


FIGURE 2

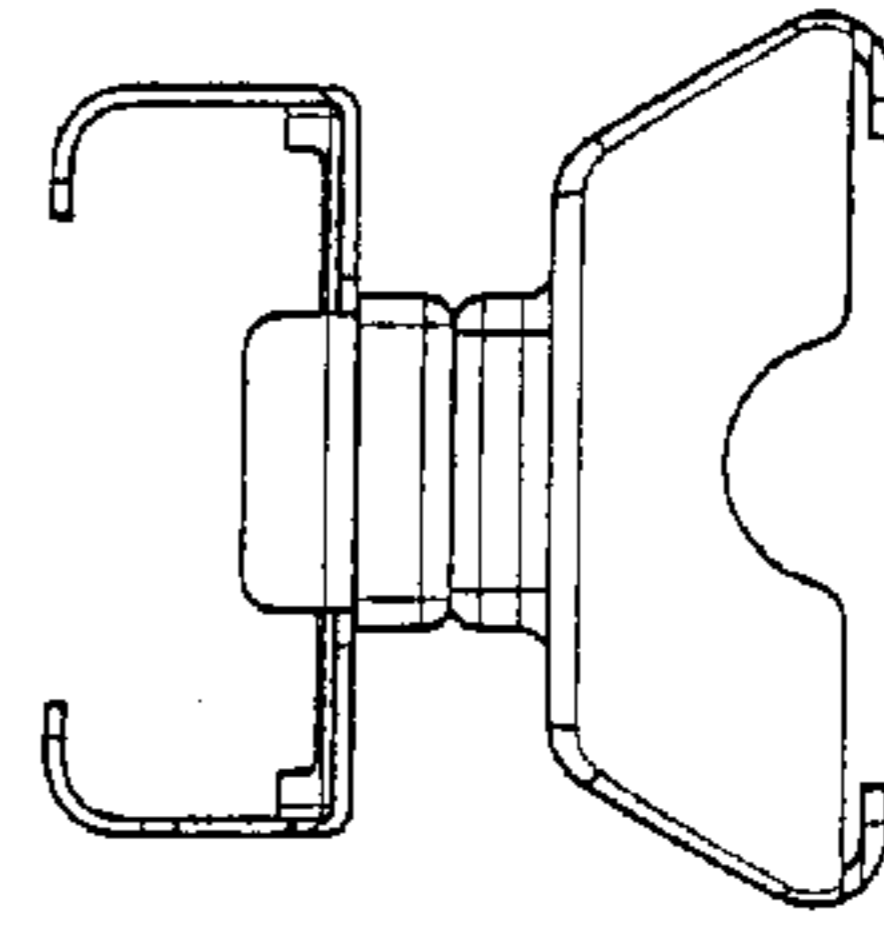


FIGURE 6

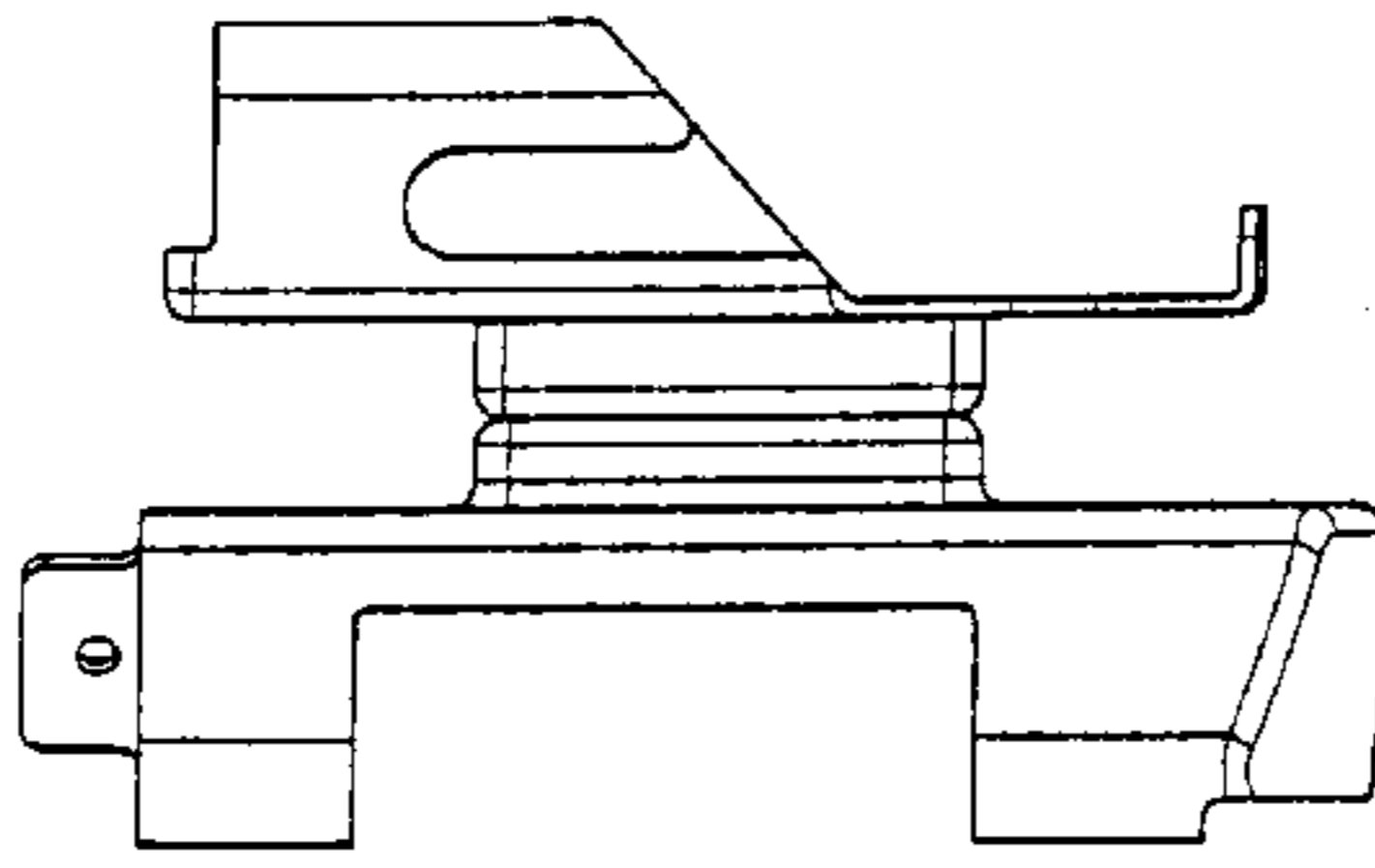


FIGURE 4

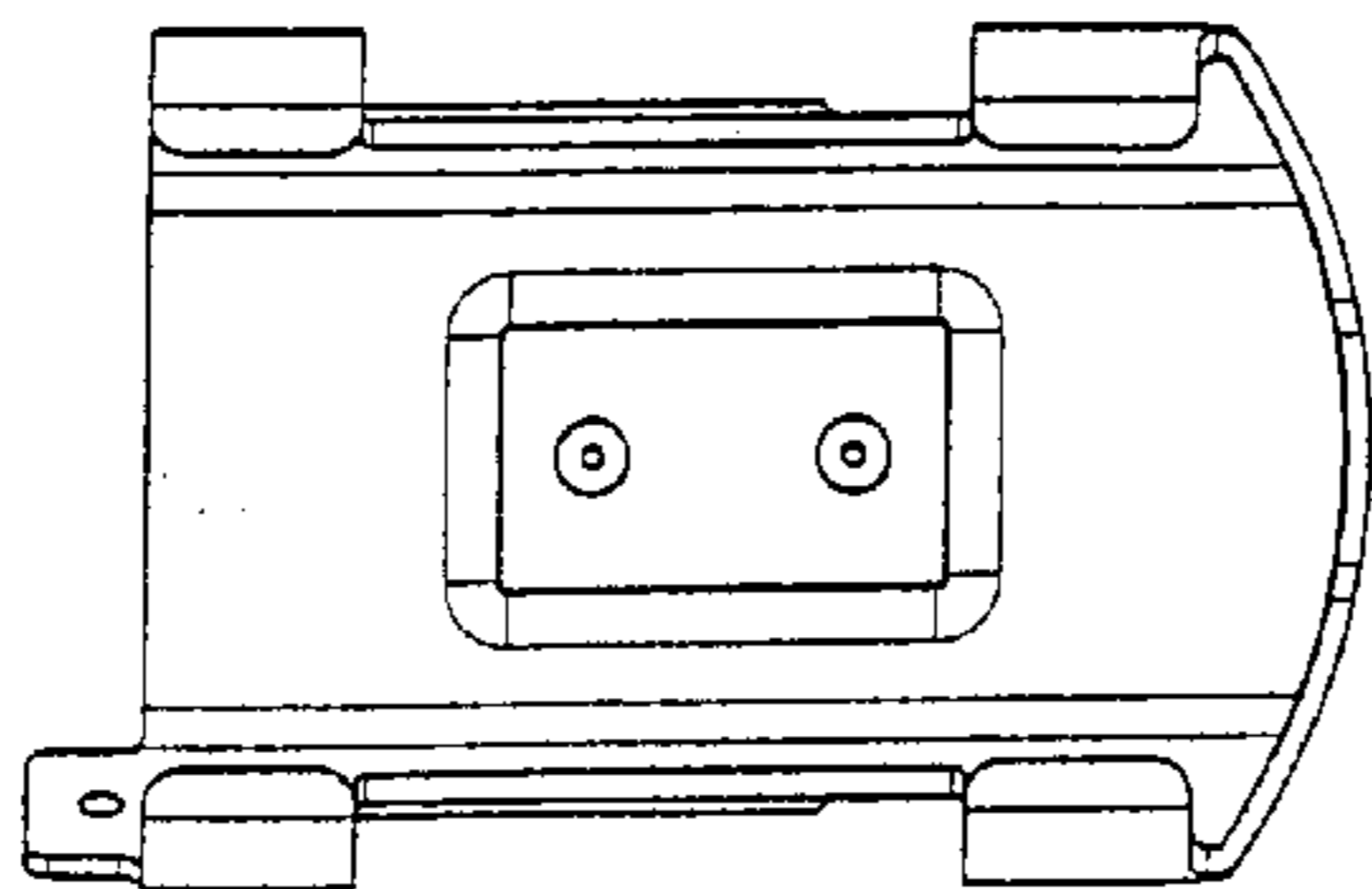


FIGURE 3