

US00D508302S

(12) **United States Design Patent**
Malina et al.

(10) **Patent No.: US D508,302 S**

(45) **Date of Patent: ** Aug. 16, 2005**

(54) **CONFECTIONERY BAR**

(75) Inventors: **David Malina**, New York, NY (US);
Justin Kukura, Hackettstown, NJ (US);
Jennifer Ann Cavallone, Long Valley,
NJ (US); **Peter Arnell**, New York, NY
(US); **Jung-Ah Suh**, New York, NY
(US)

(73) Assignee: **Mars Incorporated**, McLean, VA (US)

(**) Term: **14 Years**

(21) Appl. No.: **29/191,339**

(22) Filed: **Oct. 7, 2003**

(51) **LOC (8) Cl. 01-01**

(52) **U.S. Cl. D1/127; D1/121**

(58) **Field of Search D1/127-129, 121,**
D1/100; 426/512, 144, 76, 94, 593, 514,
660, 383; 52/311.1; D21/480

(56) **References Cited**

U.S. PATENT DOCUMENTS

D90,687 S * 9/1933 Sherrill D1/121

D170,362 S * 9/1953 Opler D1/121
4,455,320 A * 6/1984 Syrmis 426/383
D307,815 S * 5/1990 Parri et al. D1/127
4,945,696 A * 8/1990 Ortiz Bordallo 52/311.1

* cited by examiner

Primary Examiner—Pamela Burgess

(74) *Attorney, Agent, or Firm*—Fitzpatrick, Cella, Harper &
Scinto

(57) **CLAIM**

The ornamental design for a confectionery bar, substantially
as shown and described.

DESCRIPTION

FIG. 1 is a front perspective view of a confectionery bar
showing our new design;

FIG. 2 is a top plan view thereof;

FIG. 3 is a front elevation view thereof, the back elevation
view being a mirror image;

FIG. 4 is a right end elevation view thereof, the left end
elevation view being a mirror image; and,

FIG. 5 is a bottom plan view thereof.

1 Claim, 2 Drawing Sheets

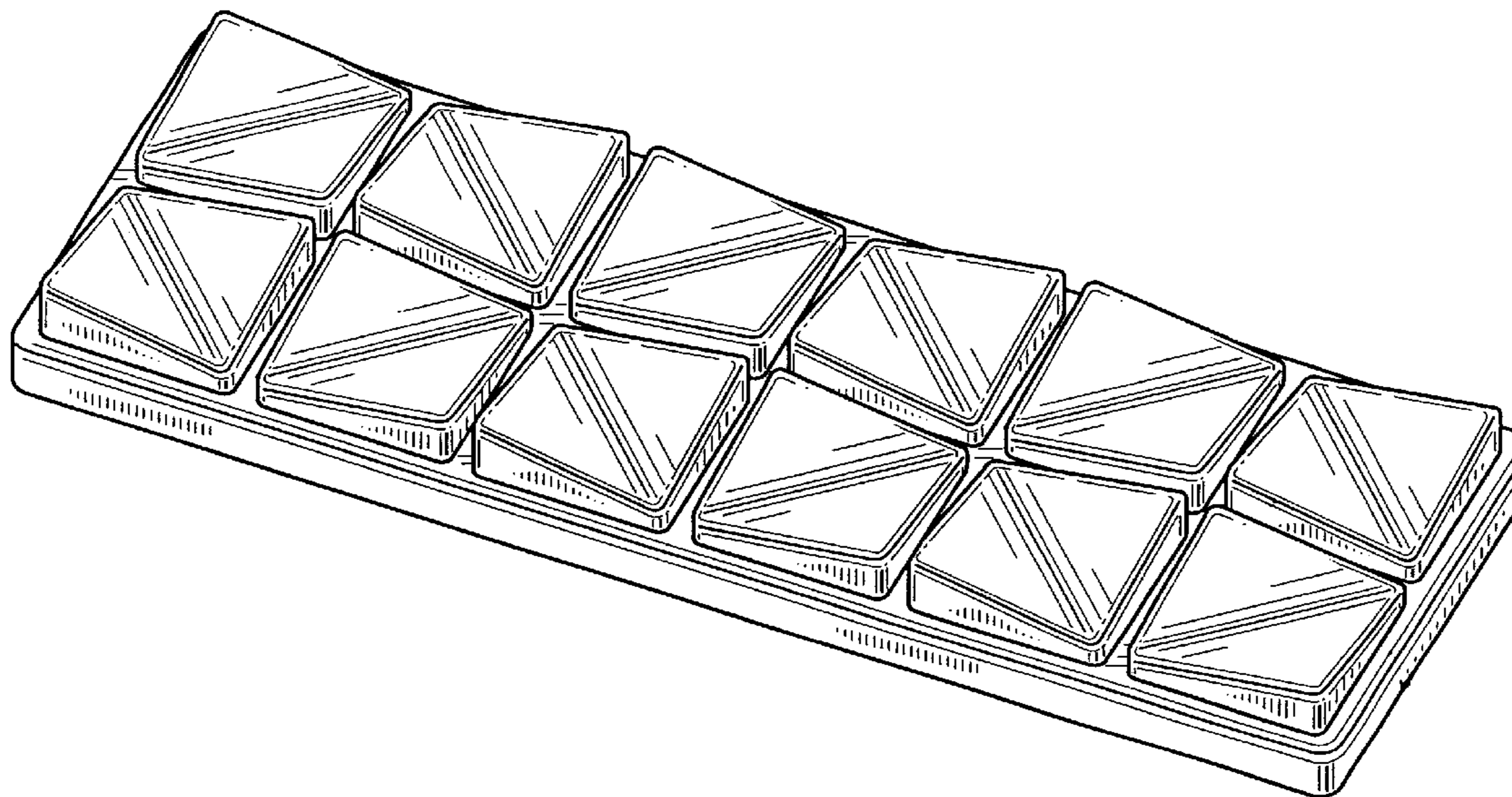


FIG. 1

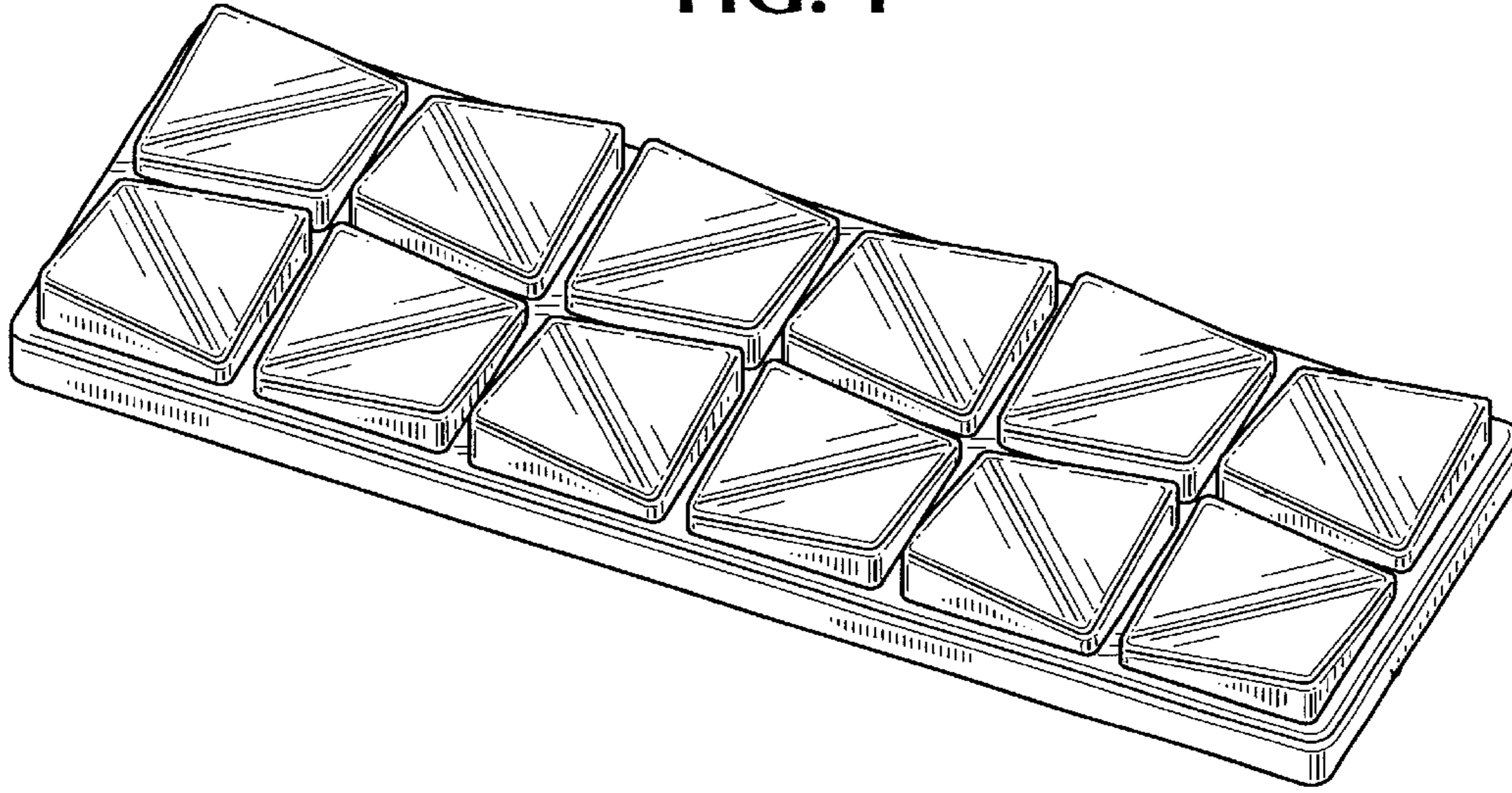


FIG. 2

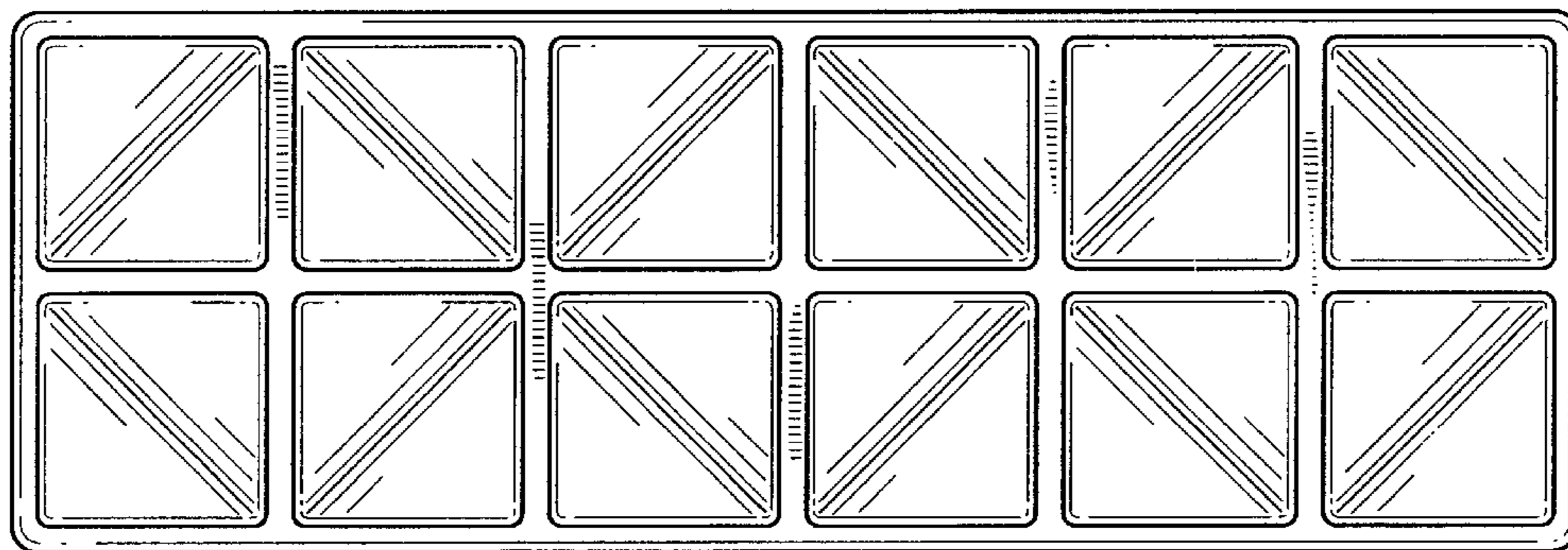


FIG. 3

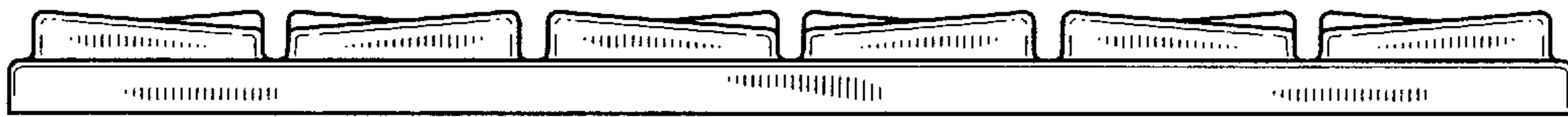


FIG. 4

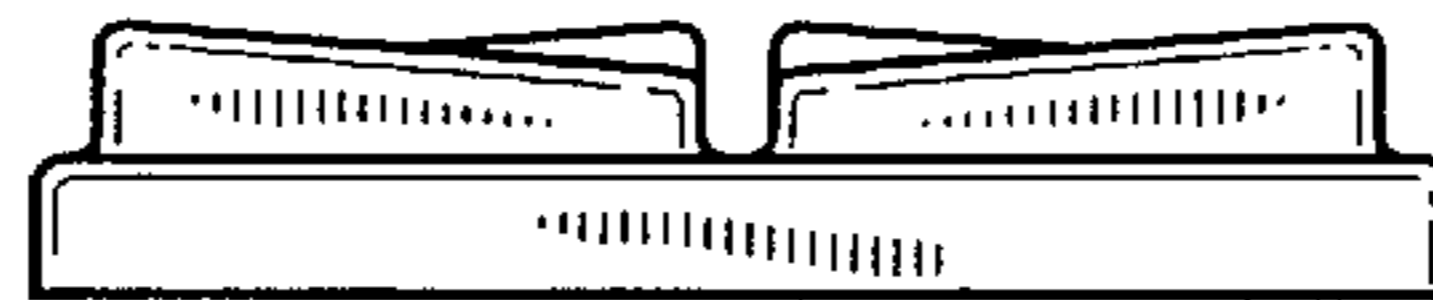


FIG. 5

