



US00D508292S

(12) **United States Design Patent**
Colbert, Jr.

(10) **Patent No.:** **US D508,292 S**
(45) **Date of Patent:** **** Aug. 9, 2005**

(54) **TRAILER TAIL LIGHT HOUSING**

(57) **CLAIM**

(76) **Inventor:** **Barry D. Colbert, Jr.**, 1371 SW.
Amboy Ave., Port St. Lucie, FL (US)
34953

The ornamental design for a trailer tail light housing, as shown and described.

(**) **Term:** **14 Years**

DESCRIPTION

(21) **Appl. No.:** **29/219,650**

FIG. 1 is a front perspective view of a first embodiment of a trailer tail light housing showing my new design, with the broken line showing for illustrative purposes only and forming no part of the claimed design.

(22) **Filed:** **Dec. 21, 2004**

FIG. 2 is a front view thereof.

(51) **LOC (8) Cl. 26-06**

FIG. 3 is a side view thereof.

(52) **U.S. Cl. D26/28**

FIG. 4 is a rear view thereof.

(58) **Field of Search** D26/28-36; 362/459-468,
362/475-478, 485-487

FIG. 5 is an opposite side view taken thereof.

FIG. 6 is a top view thereof.

FIG. 7 is a bottom view thereof.

(56) **References Cited**

U.S. PATENT DOCUMENTS

FIG. 8 is a perspective view of a second embodiment.

FIG. 9 is a front view thereof.

FIG. 10 is a side view thereof.

FIG. 11 is a back view thereof.

FIG. 12 is an opposite side view thereof.

FIG. 13 is a top view thereof; and,

FIG. 14 view thereof.

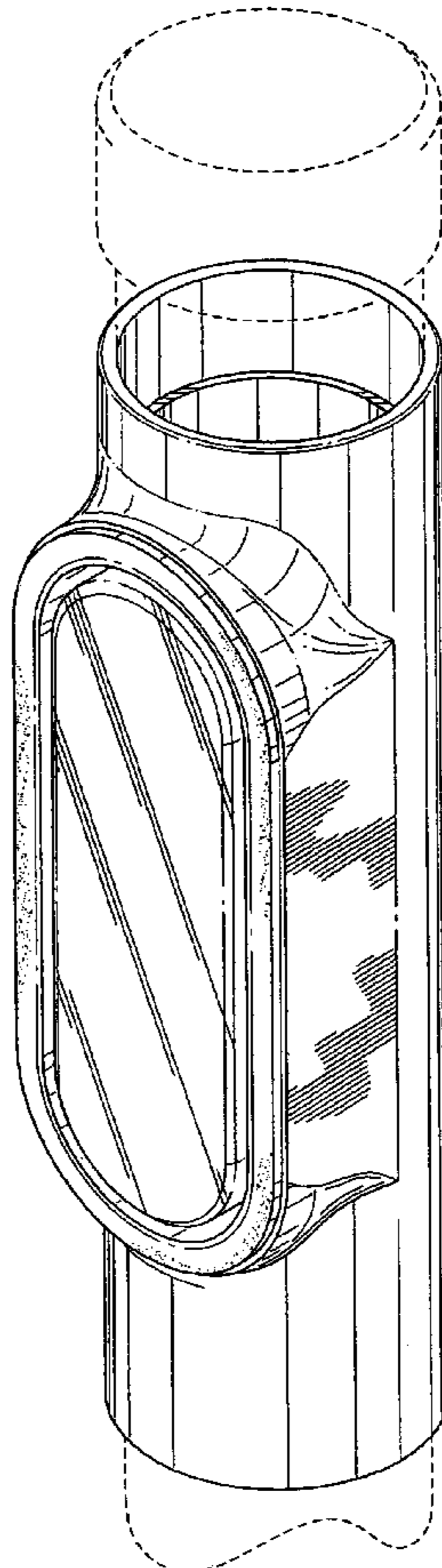
D447,826 S	*	9/2001	Kang	D26/28
D471,302 S	*	3/2003	Yamamoto	D26/28
D498,549 S	*	11/2004	Campagna	D26/28

* cited by examiner

Primary Examiner—Marcus A. Jackson

(74) *Attorney, Agent, or Firm*—Welsh & Flaxman LLC

1 Claim, 6 Drawing Sheets



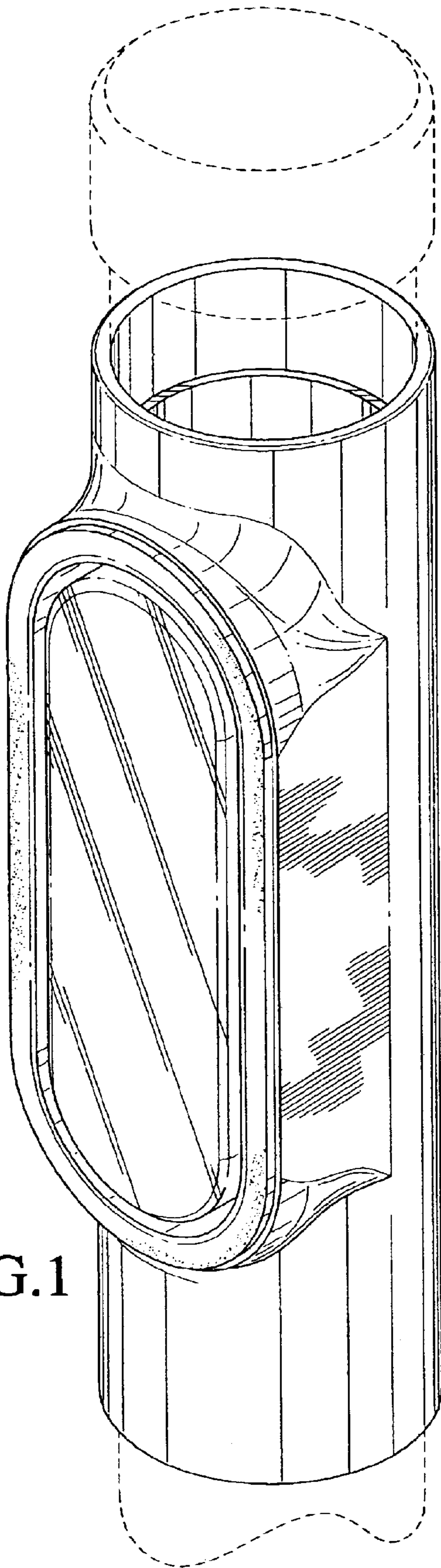


FIG. 1

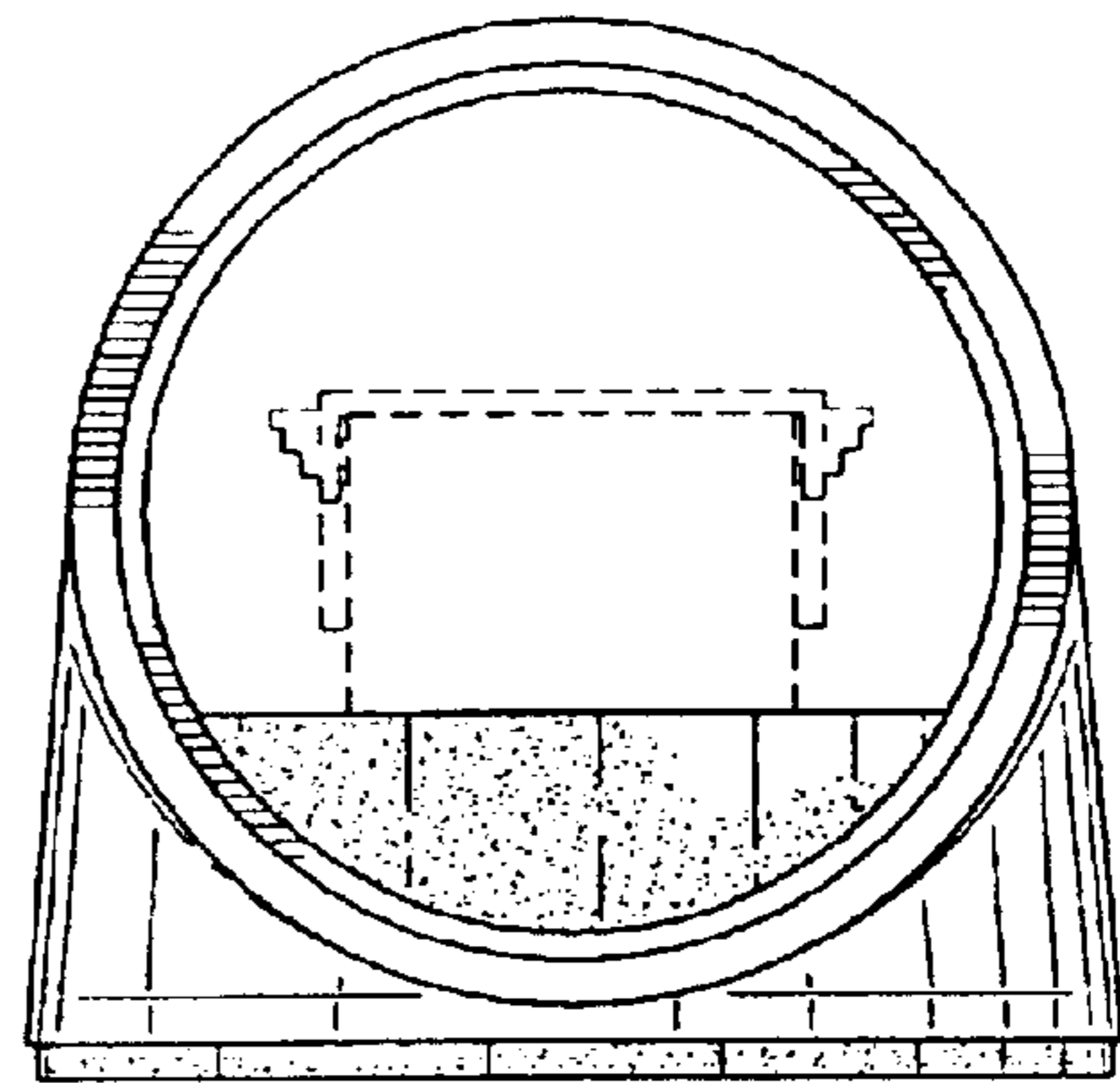


FIG. 6

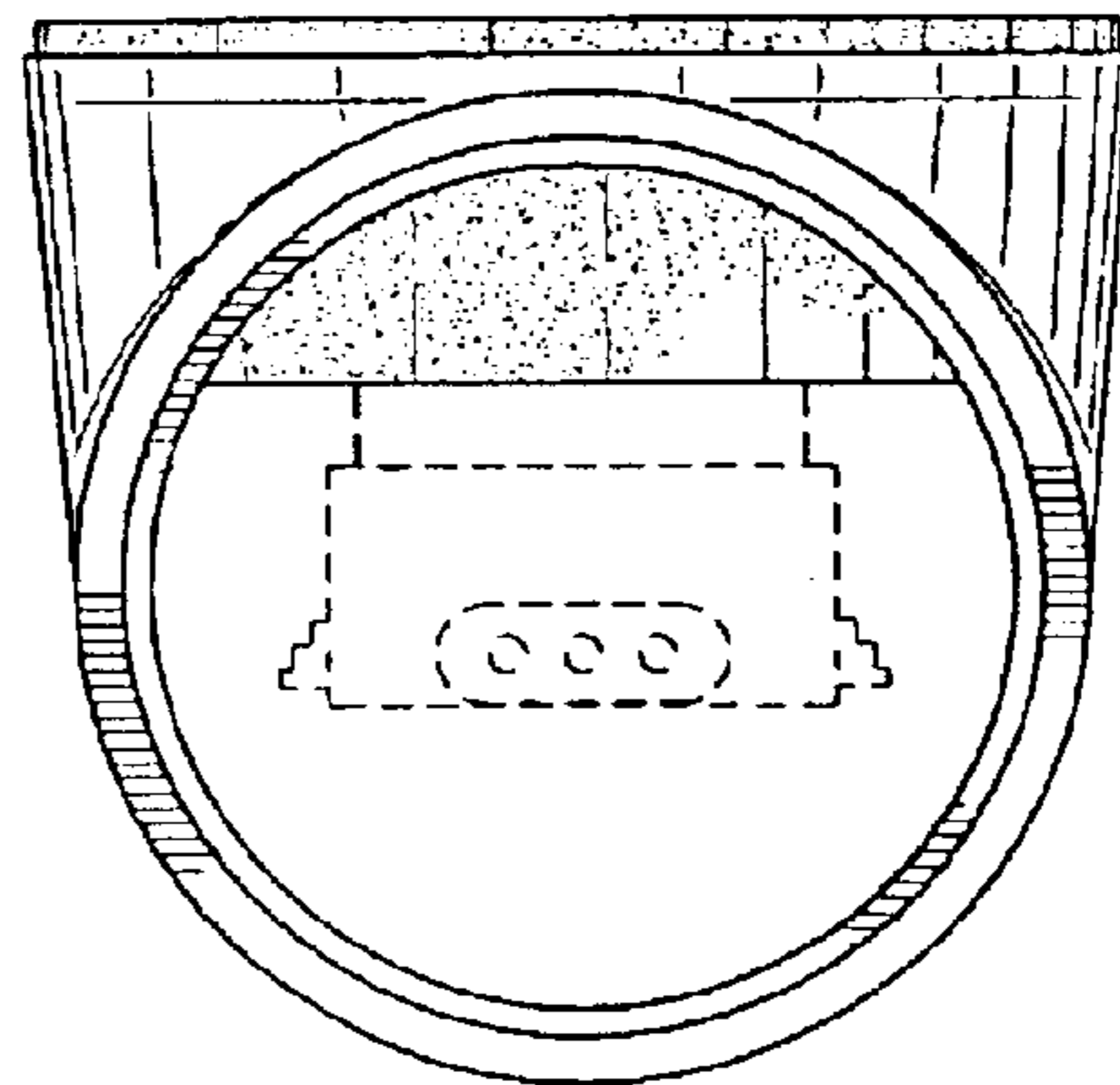


FIG. 7

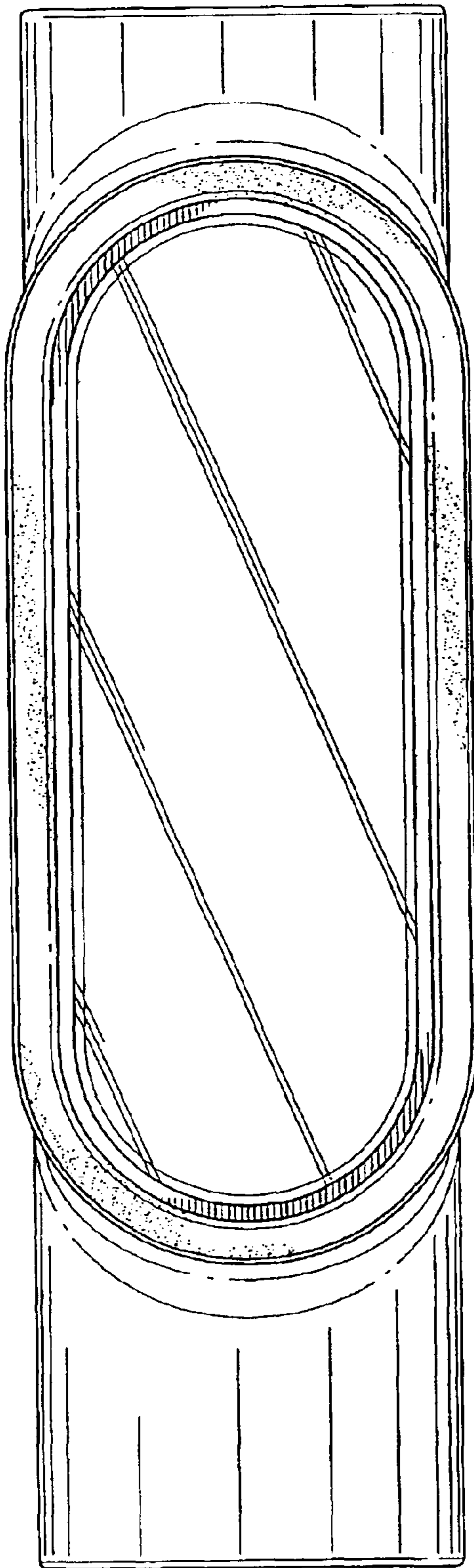


FIG. 2

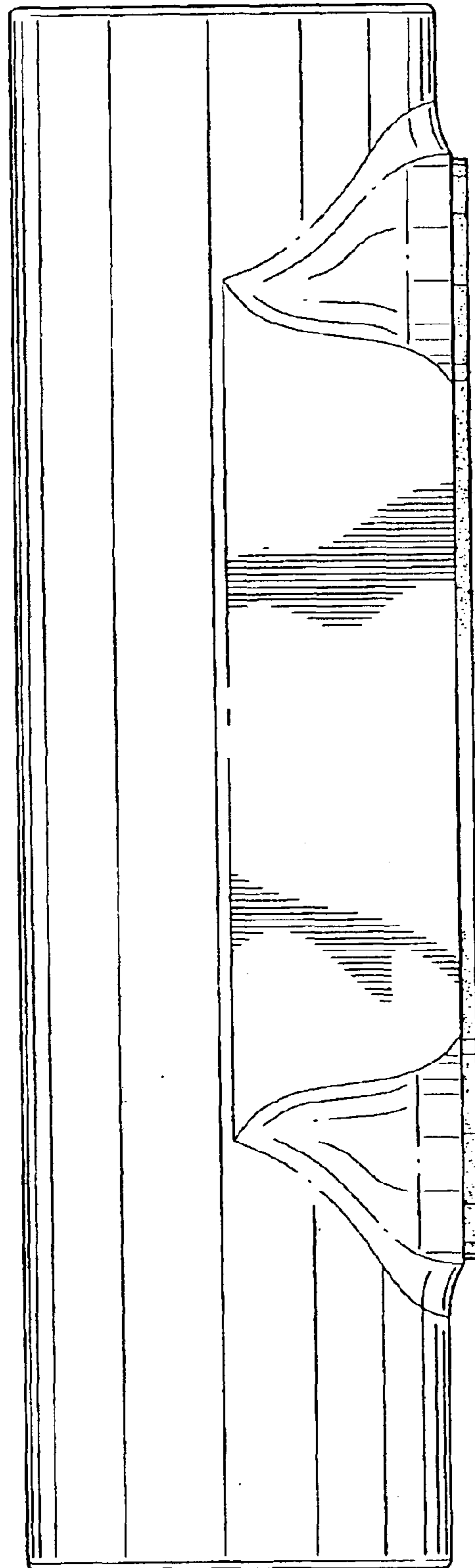


FIG. 3

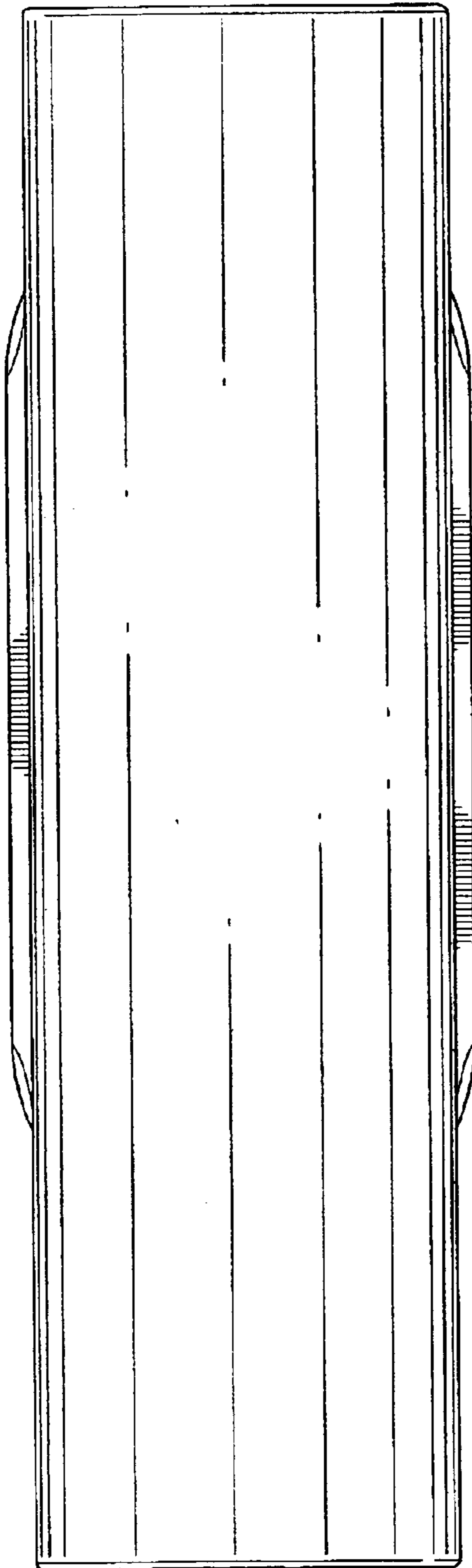


FIG. 4

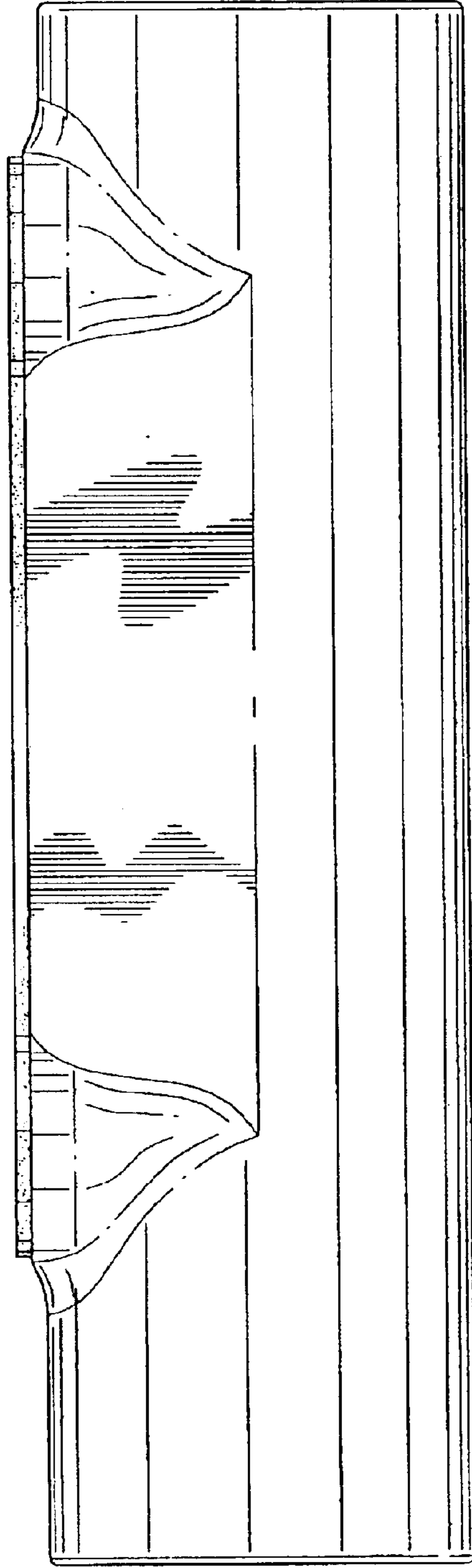


FIG. 5

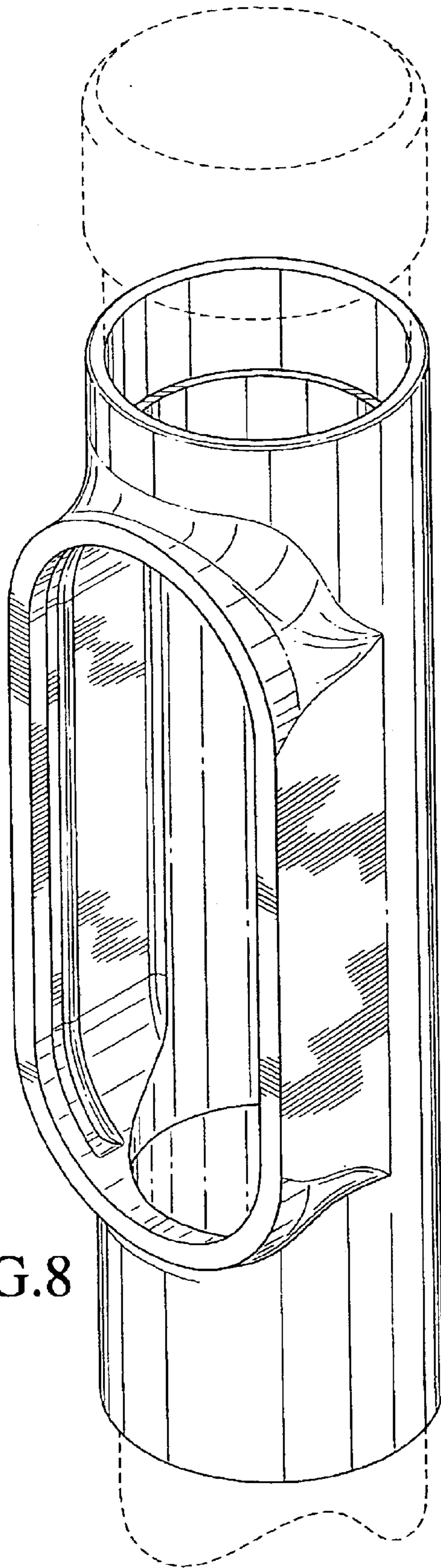


FIG. 8

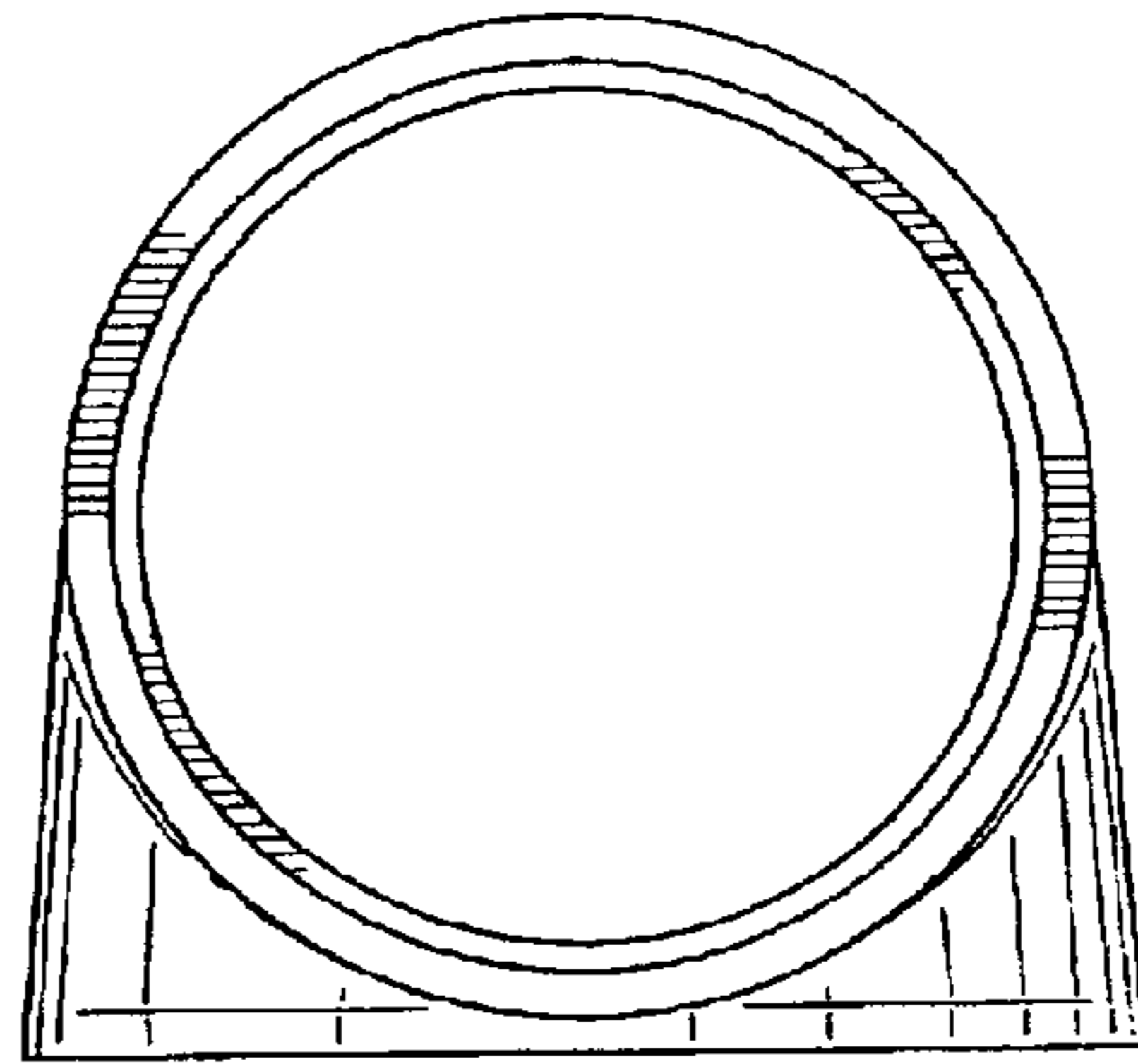


FIG. 13

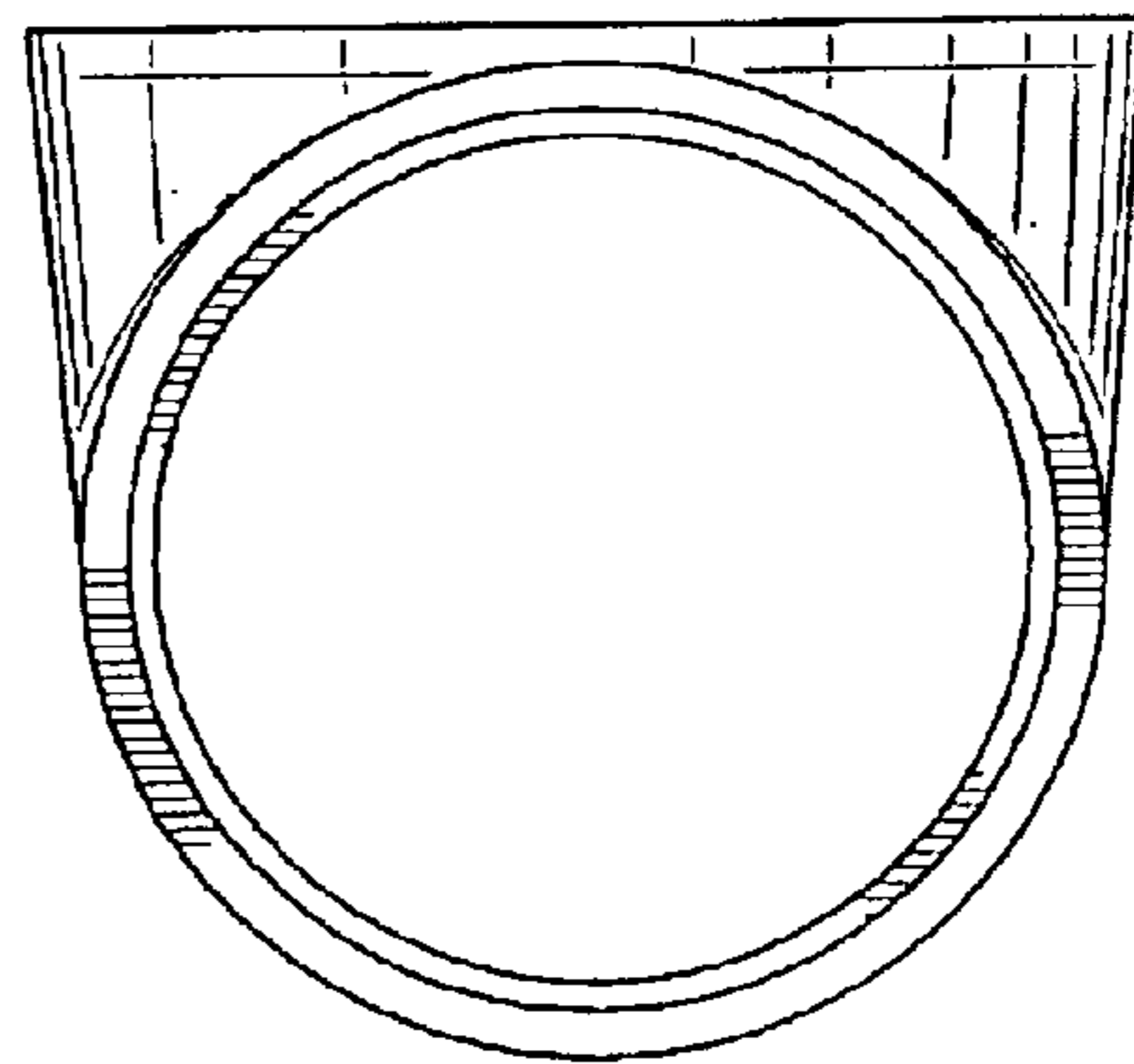


FIG. 14

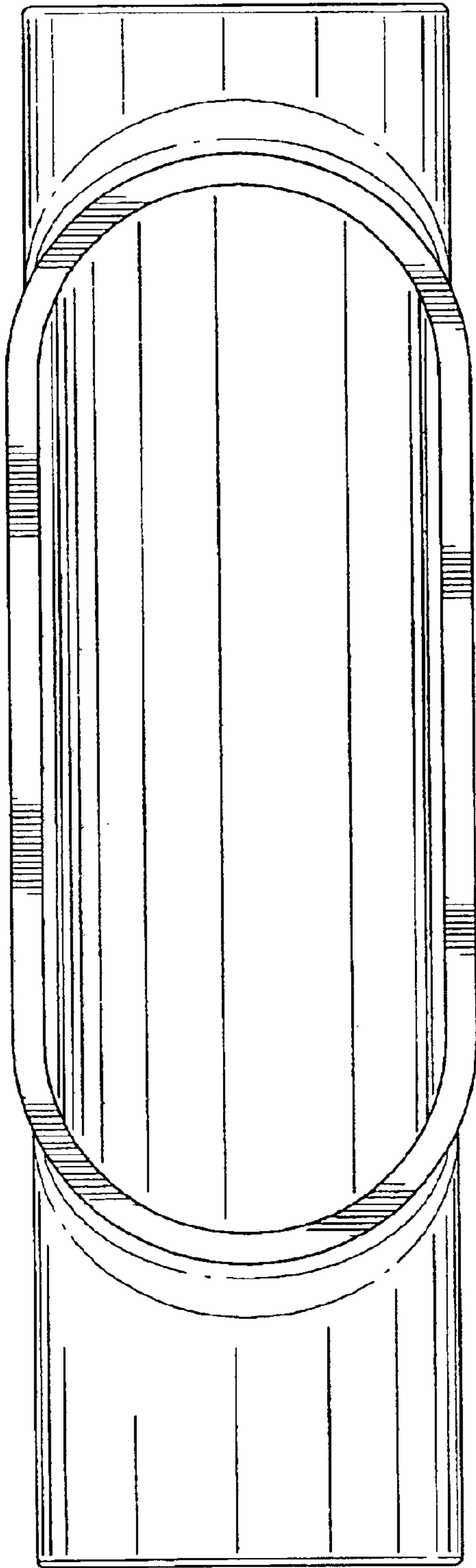


FIG. 9

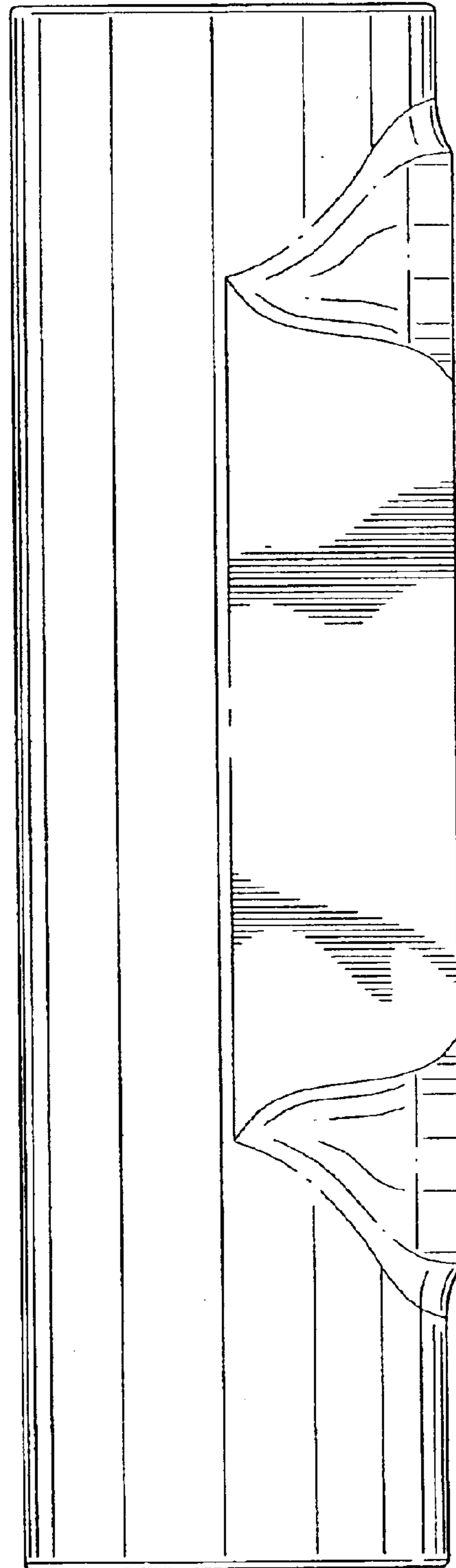


FIG. 10

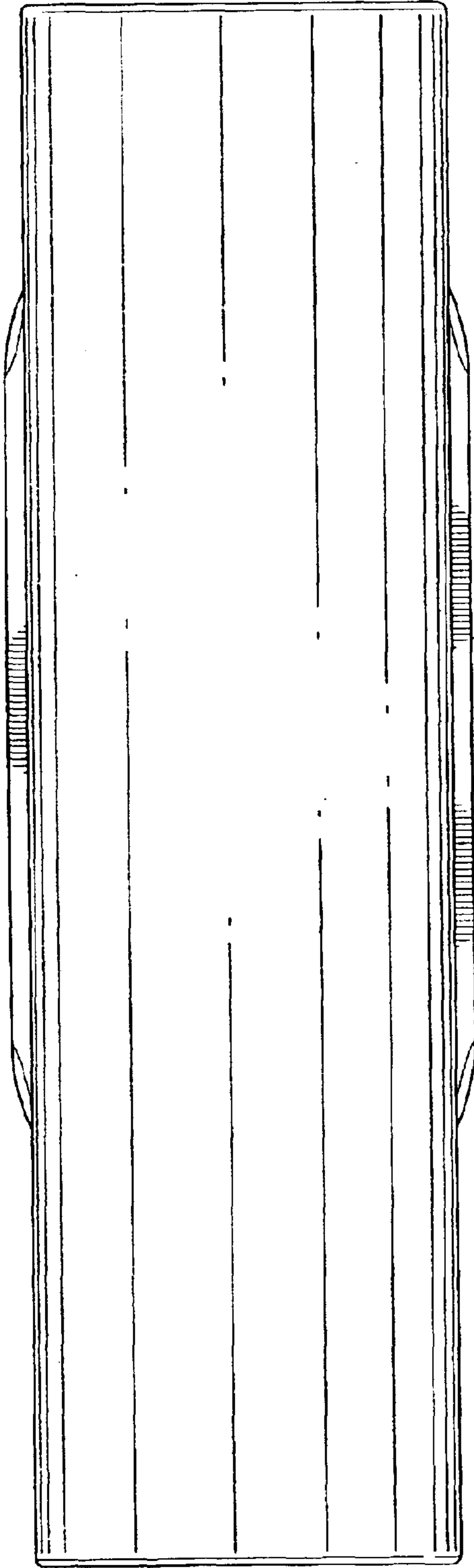


FIG. 11

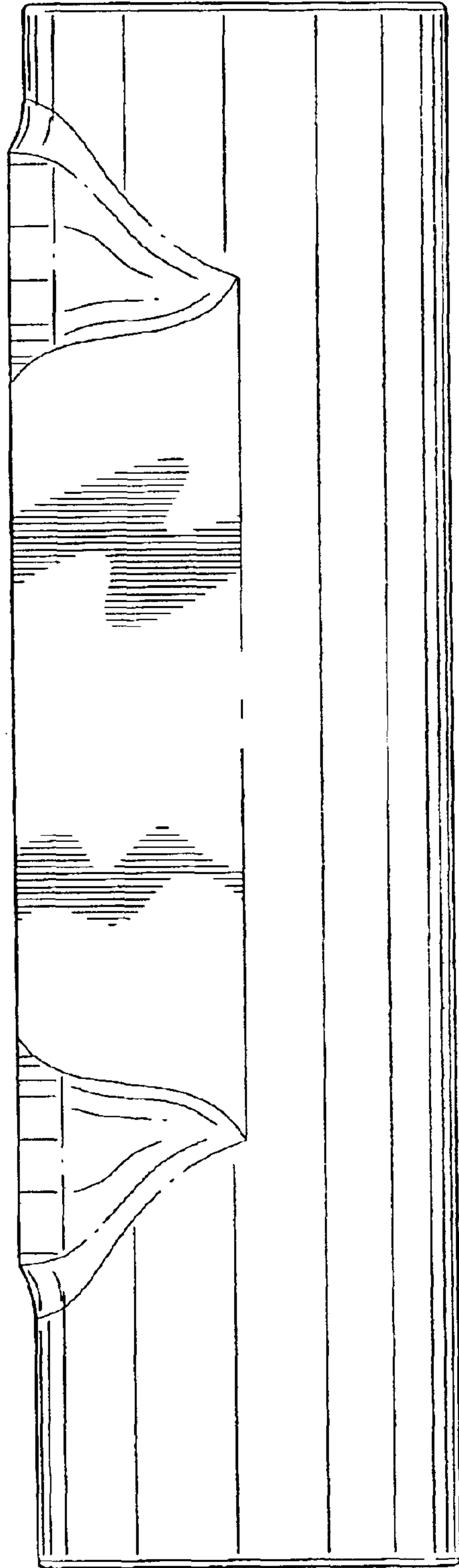


FIG. 12