

US00D508291S

(12) **United States Design Patent**
Janssen

(10) **Patent No.:** **US D508,291 S**

(45) **Date of Patent:** **** Aug. 9, 2005**

(54) **SOLID STATE LIGHTING MODULE**

(75) **Inventor:** **Ramon Janssen, Eindhoven (NL)**

(73) **Assignee:** **Koninklijke Philips Electronics, N.V., Eindhoven (NL)**

(**) **Term:** **14 Years**

(21) **Appl. No.:** **29/215,582**

(22) **Filed:** **Oct. 21, 2004**

(30) **Foreign Application Priority Data**

Apr. 23, 2004 (EM) 000168679-0001

(51) **LOC (8) Cl.** **26-04**

(52) **U.S. Cl.** **D26/1**

(58) **Field of Search** D26/1-4; 313/313, 313/315, 316, 317, 318, 470, 493, 500

(56) **References Cited**

U.S. PATENT DOCUMENTS

D317,657 S * 6/1991 Iwata et al. D26/1

D334,990 S * 4/1993 Sekiguchi et al. D26/1

* cited by examiner

Primary Examiner—Marcus A. Jackson

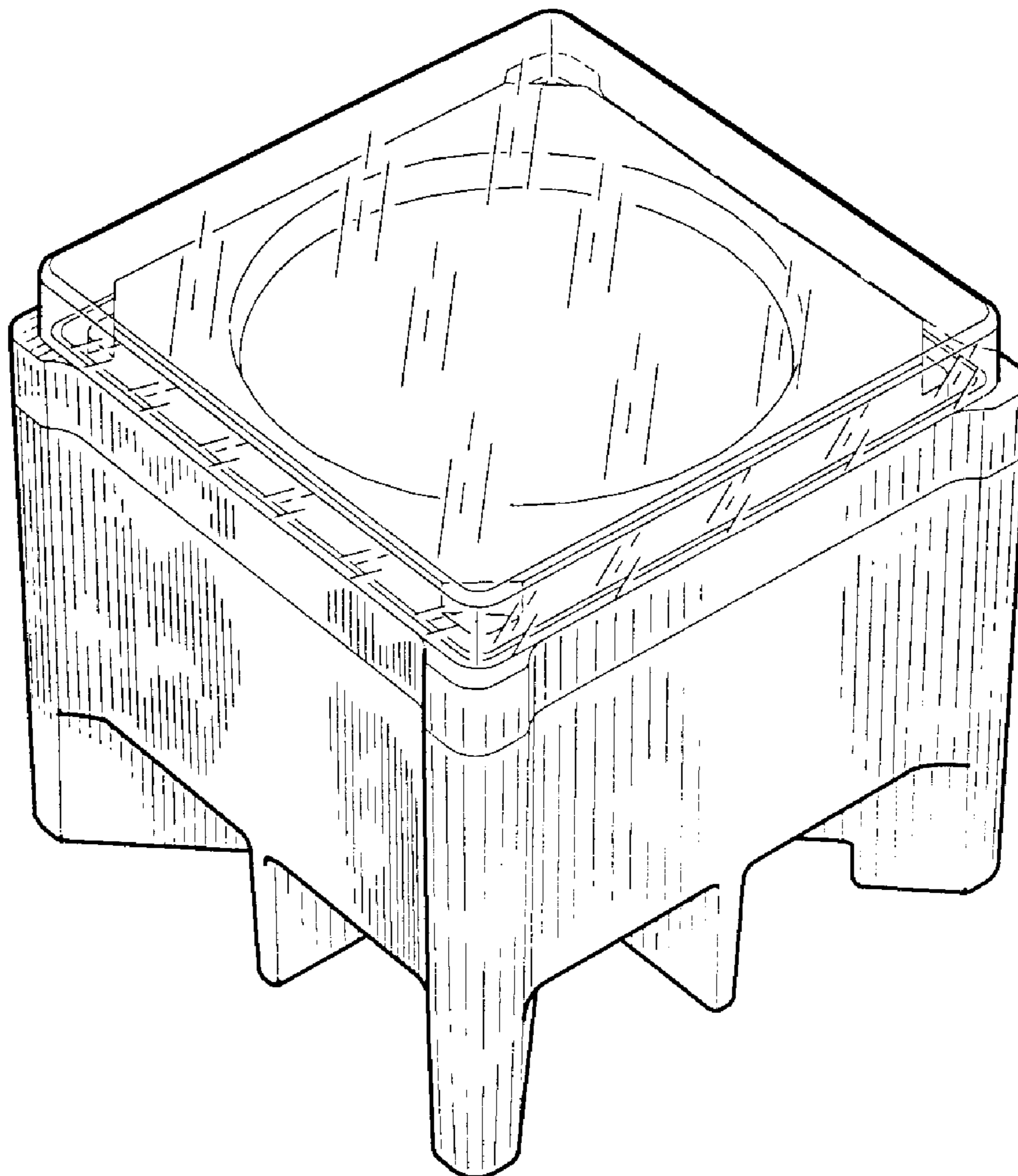
(57) **CLAIM**

The ornamental design for a solid state lighting module, as shown.

DESCRIPTION

FIG. 1 is a perspective view showing my design; FIG. 2 is a front elevational view thereof; FIG. 3 is a rear elevational view thereof; FIG. 4 is a left side elevational view thereof; FIG. 5 is a right side elevational view thereof; FIG. 6 is a top plan view thereof; and, FIG. 7 is a bottom plan view thereof.

1 Claim, 3 Drawing Sheets



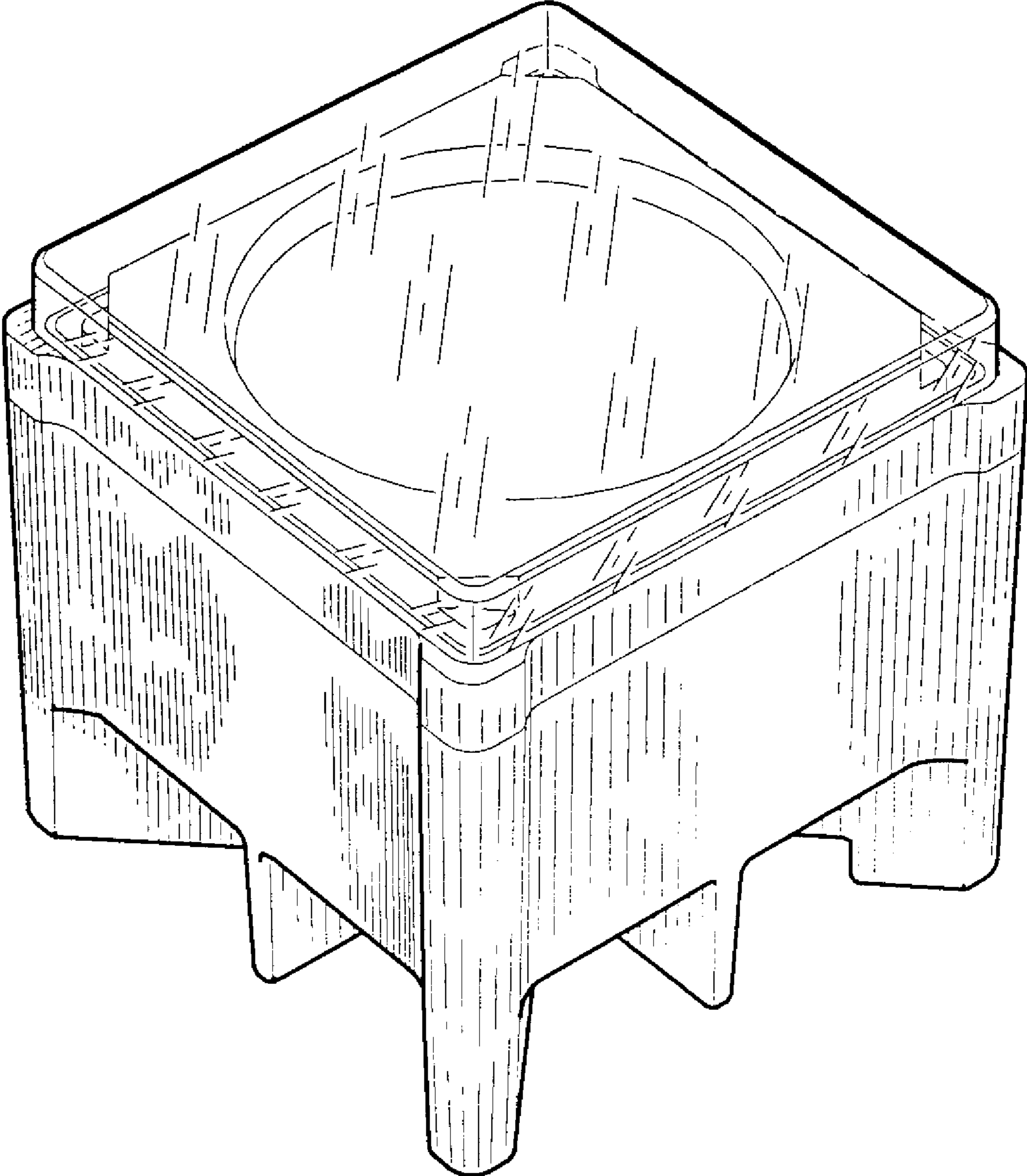


FIG. 1

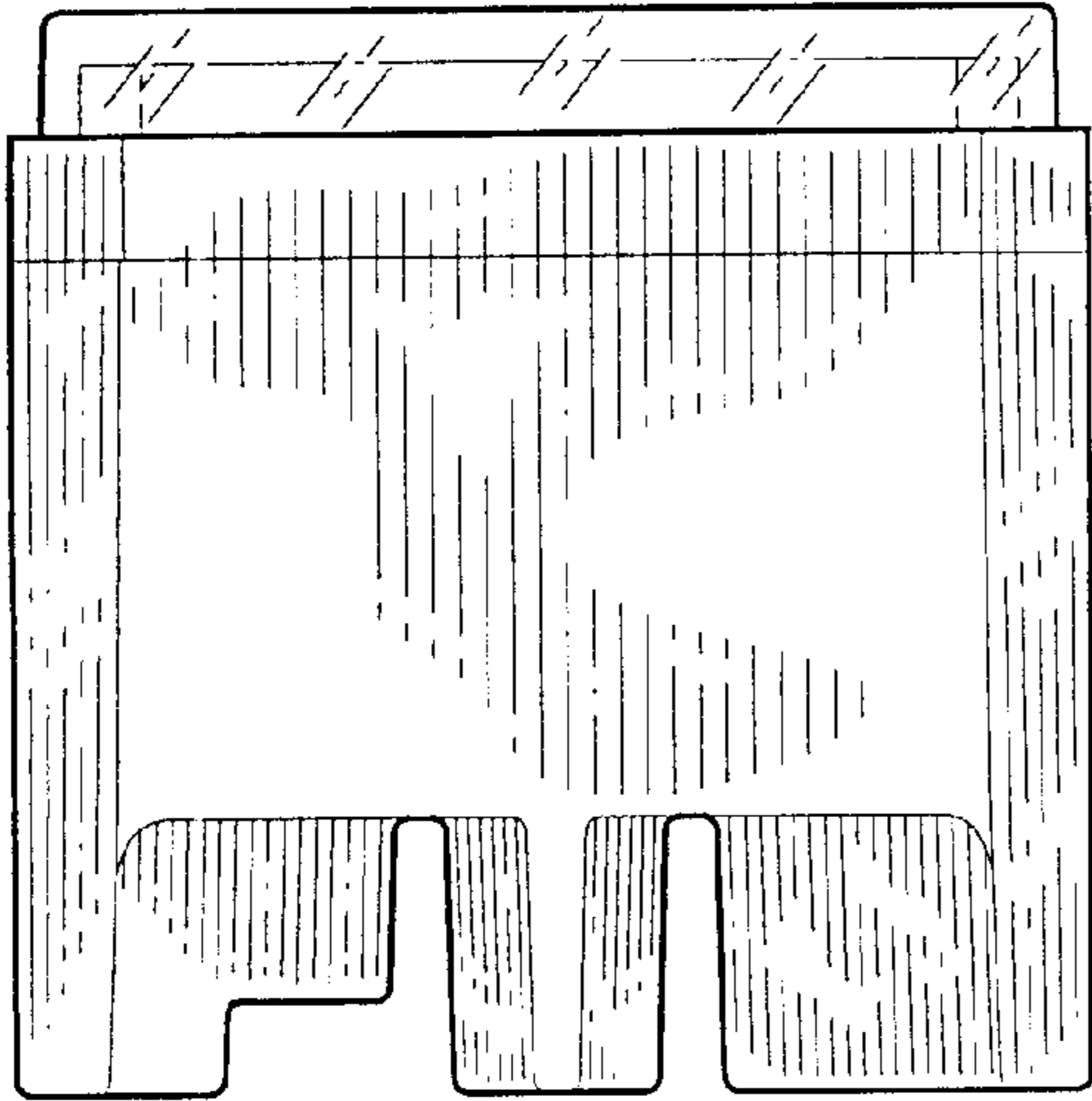


FIG. 2

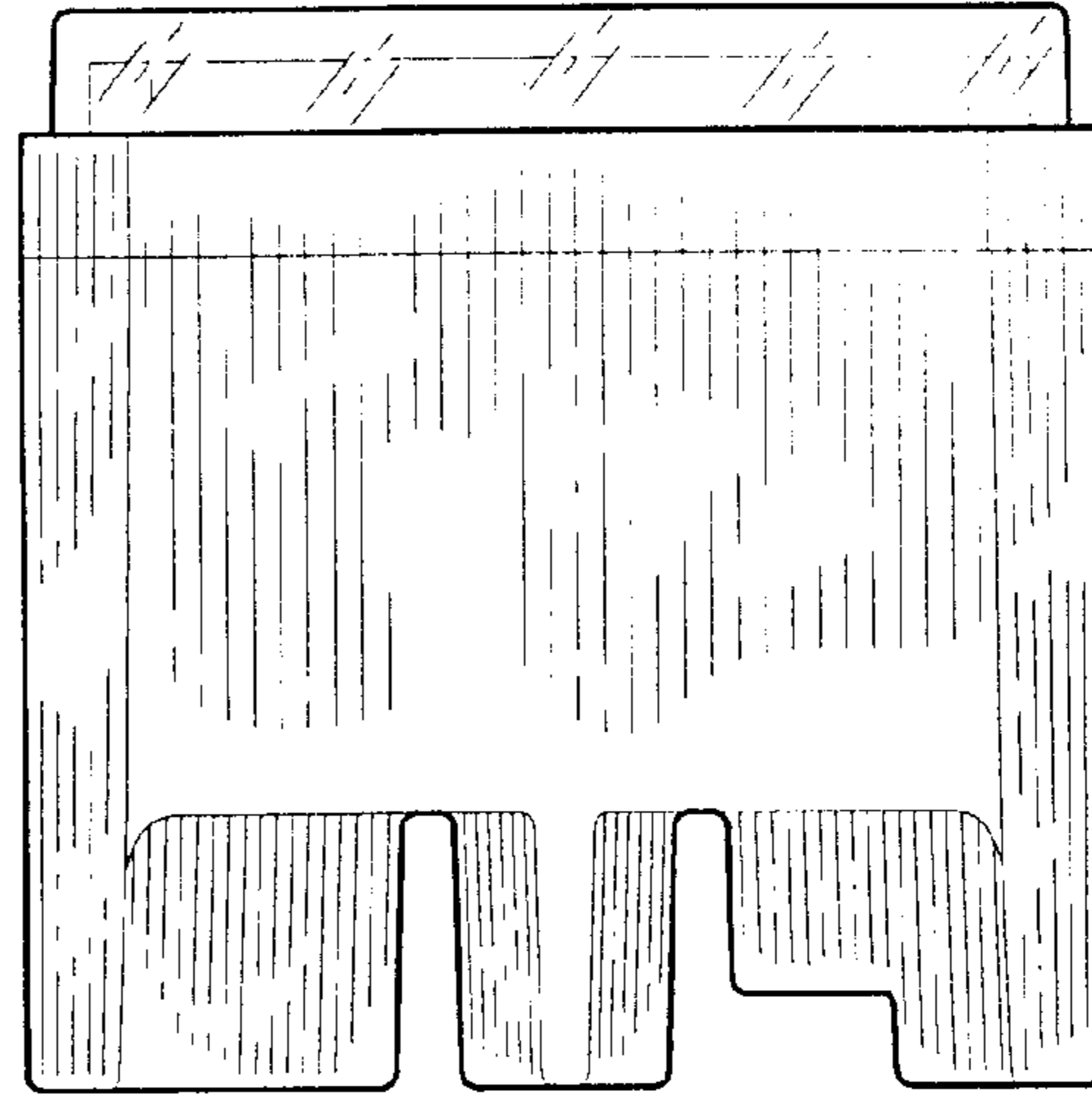


FIG. 3

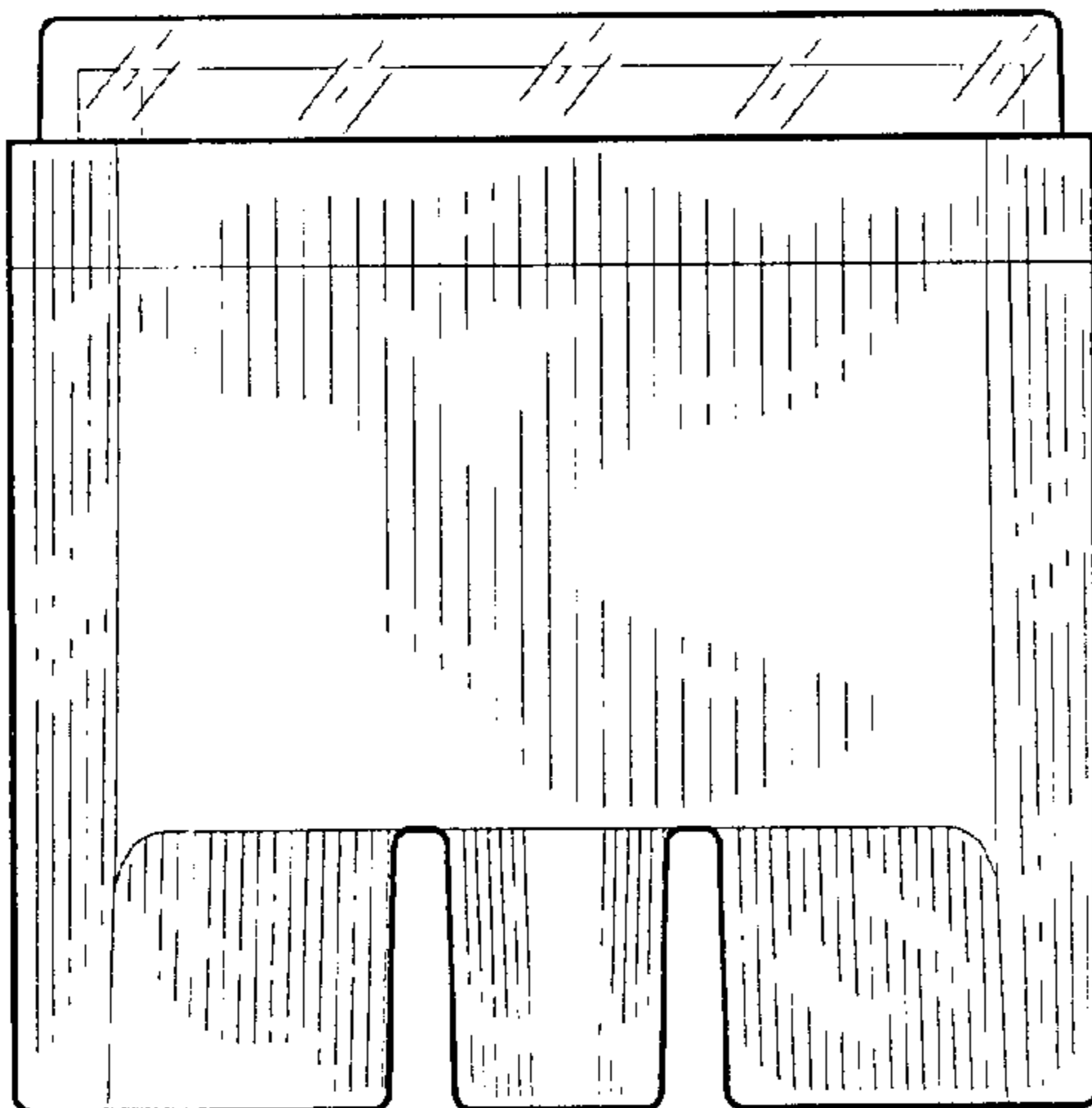


FIG. 4

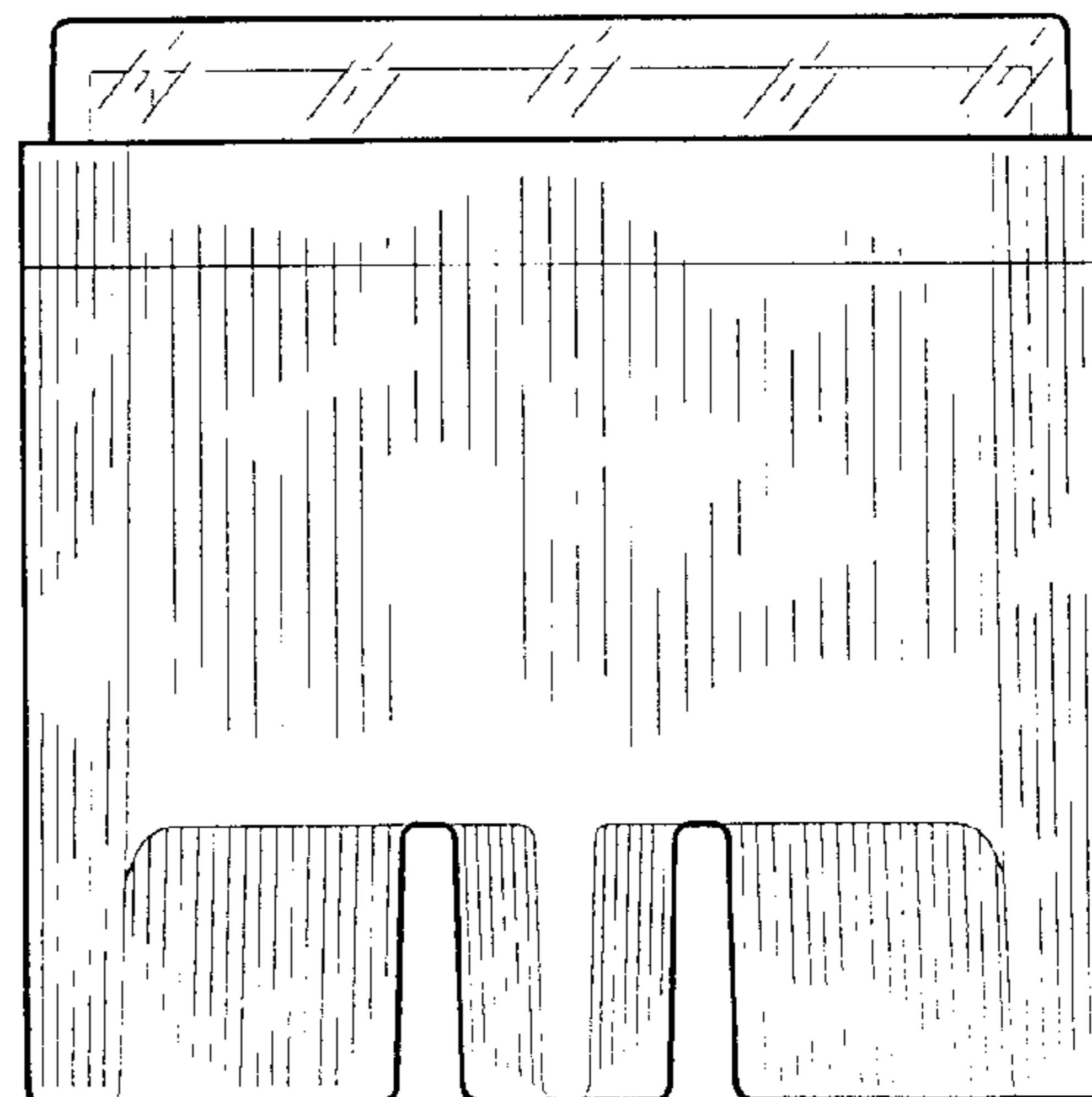


FIG. 5

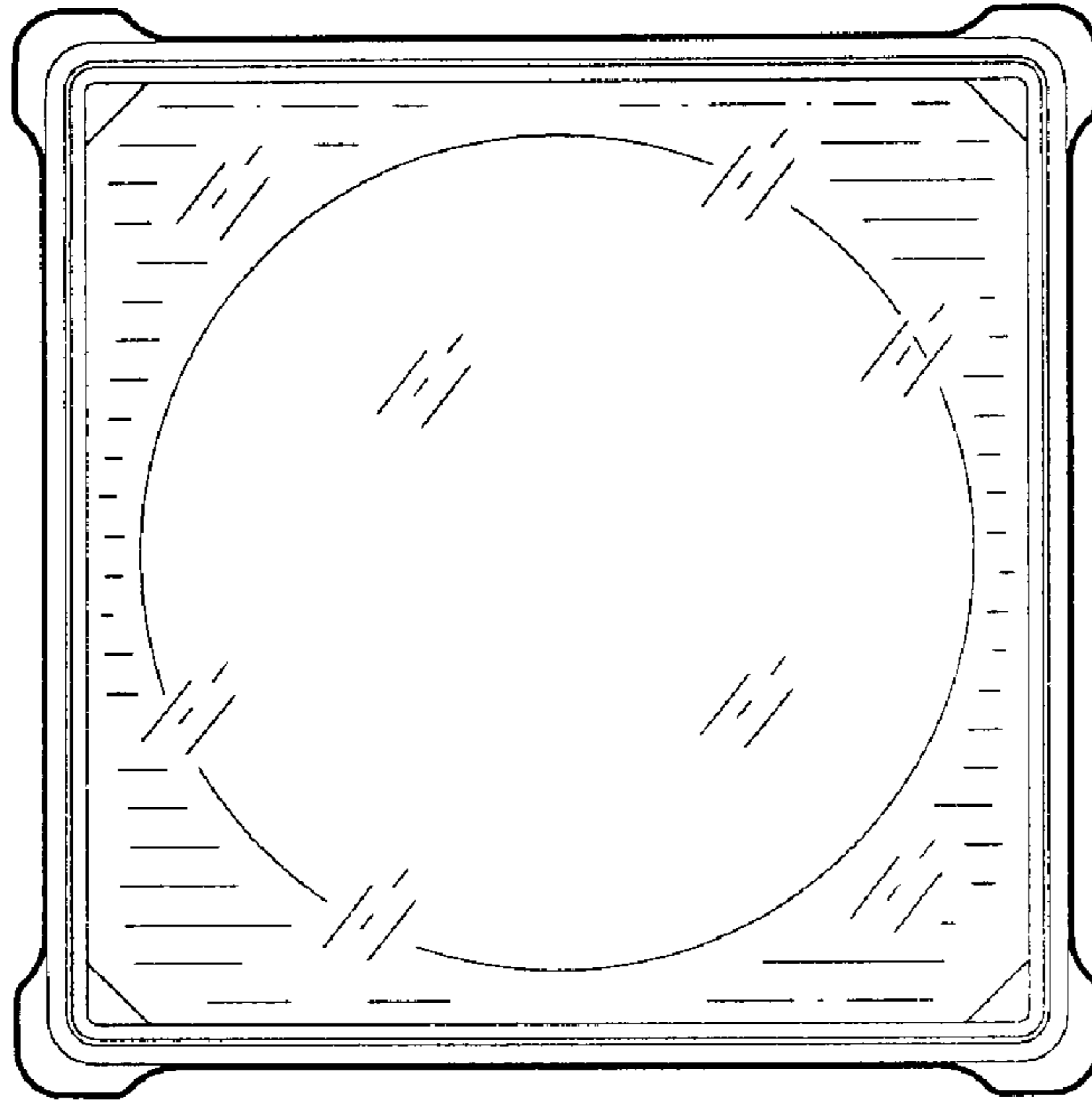


FIG. 6

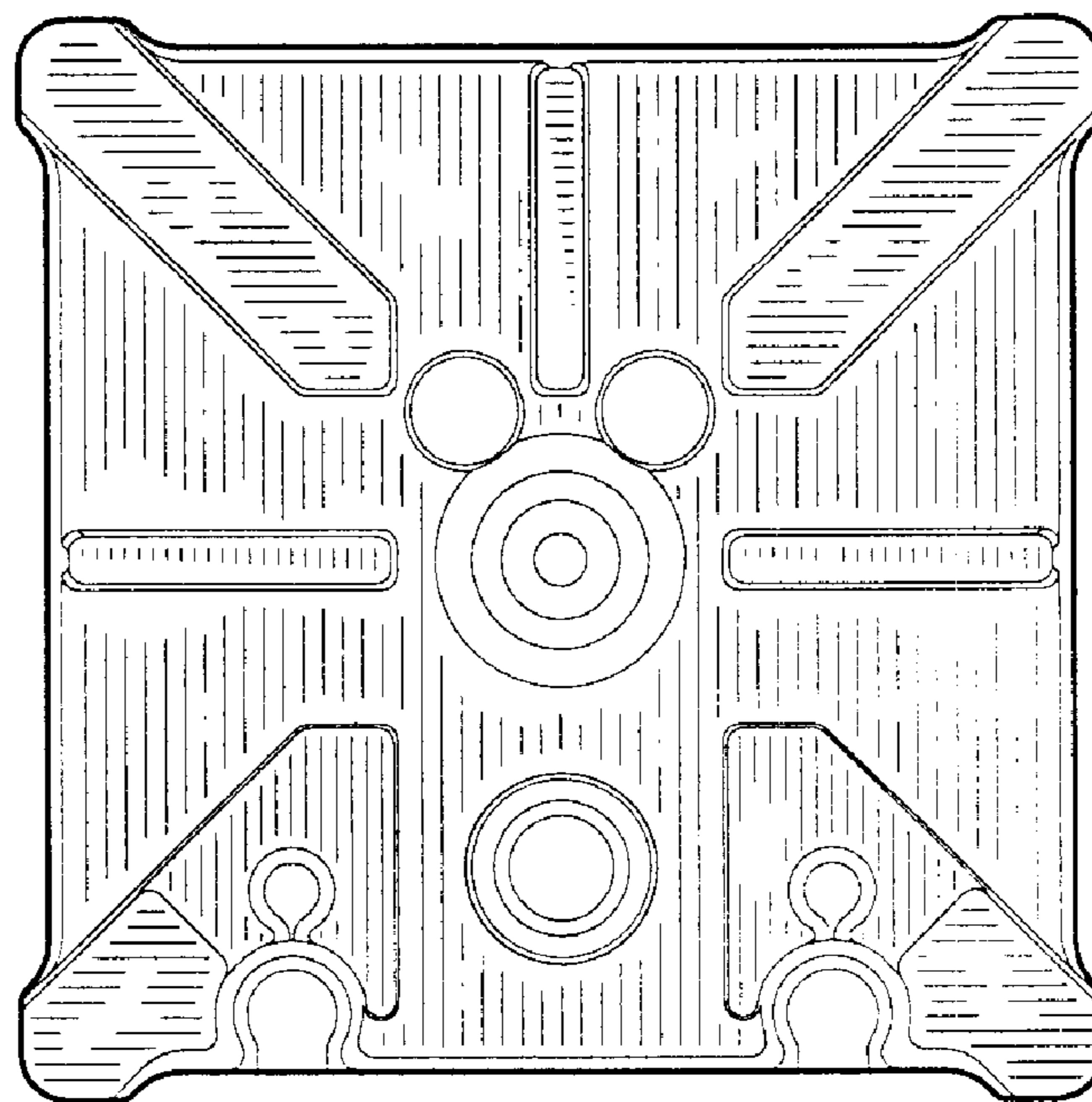


FIG. 7