

US00D508288S

(12) **United States Design Patent** (10) **Patent No.:** **US D508,288 S**
Young (45) **Date of Patent:** **** Aug. 9, 2005**

(54) **CEILING FAN HOUSING**

(75) Inventor: **Stanfield Young**, Garden Grove, CA (US)

(73) Assignee: **Minka Lighting, Inc.**, Corona, CA (US)

(**) Term: **14 Years**

(21) Appl. No.: **29/195,913**

(22) Filed: **Dec. 18, 2003**

(51) **LOC (8) Cl.** **23-04**

(52) **U.S. Cl.** **D23/411**

(58) **Field of Search** D23/411, 377, D23/379, 385; 416/5

(56) **References Cited**

U.S. PATENT DOCUMENTS

D454,636 S	*	3/2002	Lantz	D23/413
D479,597 S	*	9/2003	Curtin	D23/413
D482,775 S	*	11/2003	Young	D23/411
D485,348 S	*	1/2004	Stauffer	D23/411
D489,126 S	*	4/2004	Young	D23/411

OTHER PUBLICATIONS

Royal Pacific Internet Catalog; Bahama Palm Leaf & Carved Wood Blade Ceiling Fan, Model # 1012-BP, printed from www.fanshack.com, Nov. 17, 2003, Royal Pacific Ceiling Fans.

Fanimation Internet Catalog; The Louvre ceiling fan, Model No. FP1320GZ; Printed from www.fanimation.com, Feb. 20, 2004, Fanimation Fans.

Hampton Bay ceiling fan, Model No. 73554; Printed from www.homedepot.com, Feb. 20, 2004, Home Depot.

Kona Bay ceiling fan, Model No. K52AW; Printed from www.craftmade.com, Feb. 20, 2004, Craftmade International Inc.

* cited by examiner

Primary Examiner—Lisa Lichtenstein

(74) *Attorney, Agent, or Firm*—Baker & McKenzie LLP

(57) **CLAIM**

The ornamental design for a ceiling fan housing, as shown and described.

DESCRIPTION

FIG. 1 is a perspective view from below of a ceiling fan housing in accordance with my design;

FIG. 2 is an enlarged perspective view from below of the ceiling fan housing in accordance with my design;

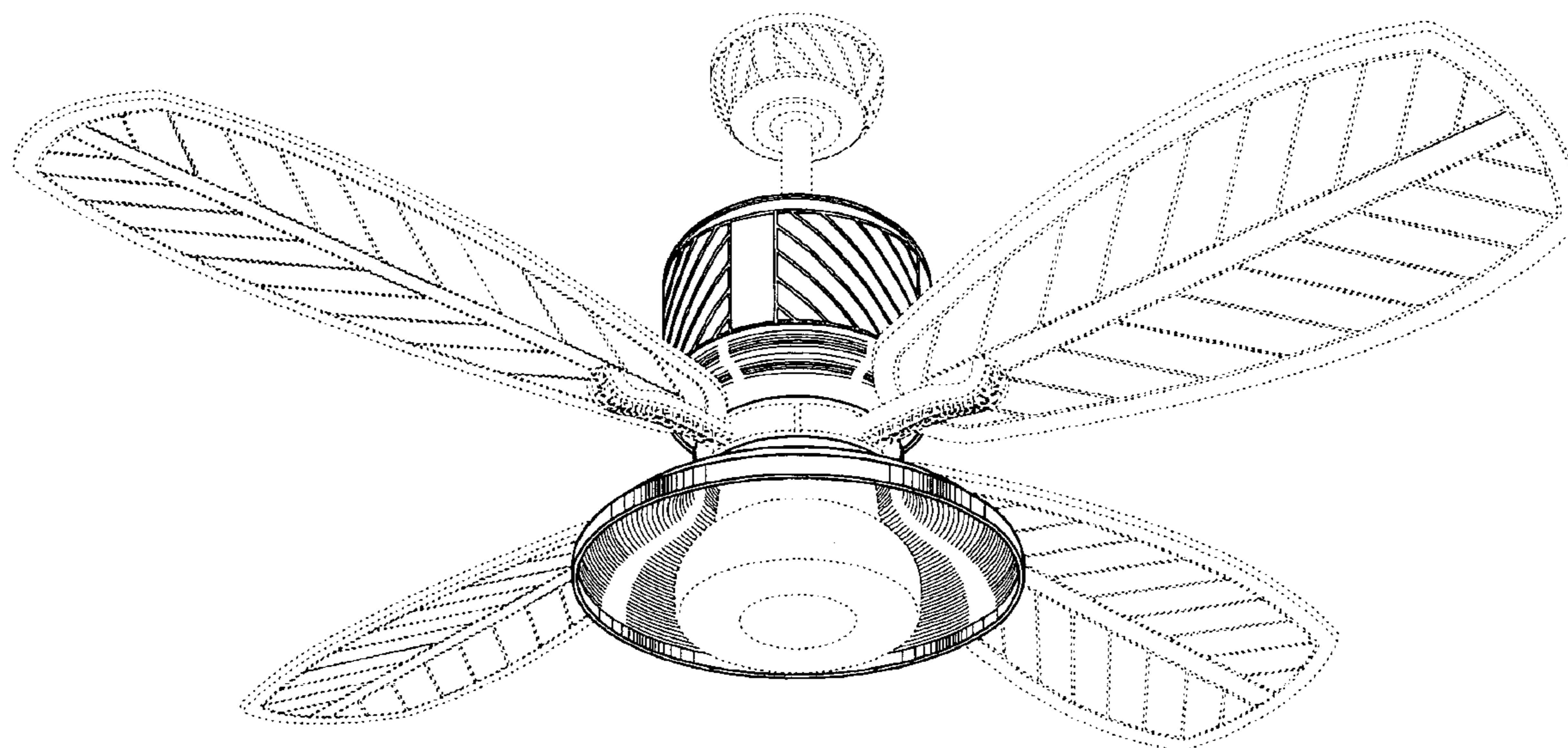
FIG. 3 is a front elevation view of the ceiling fan housing in accordance with my design; the rear being identical; and,

FIG. 4 is a side elevation view of the ceiling fan housing in accordance with my design the opposite side being a mirror image of that shown; and,

FIGS. 3 and 4 are identical except for the positioning of the fan blades. The broken lines showing environmental structure are for illustrative purposes and form no part of the claimed design.

In FIG. 2, the fan blades are shown broken away to indicate indeterminate length.

1 Claim, 4 Drawing Sheets



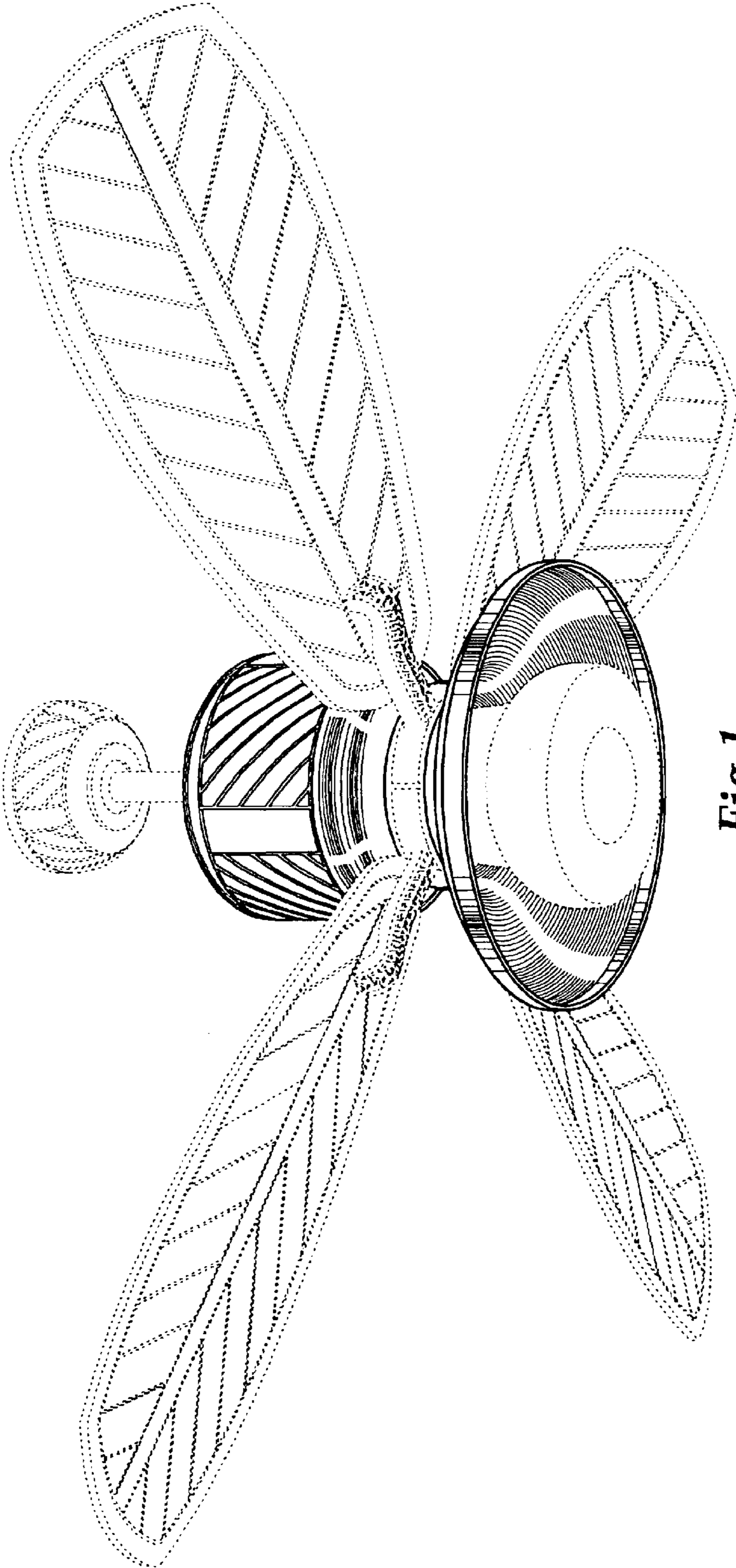


Fig. 1

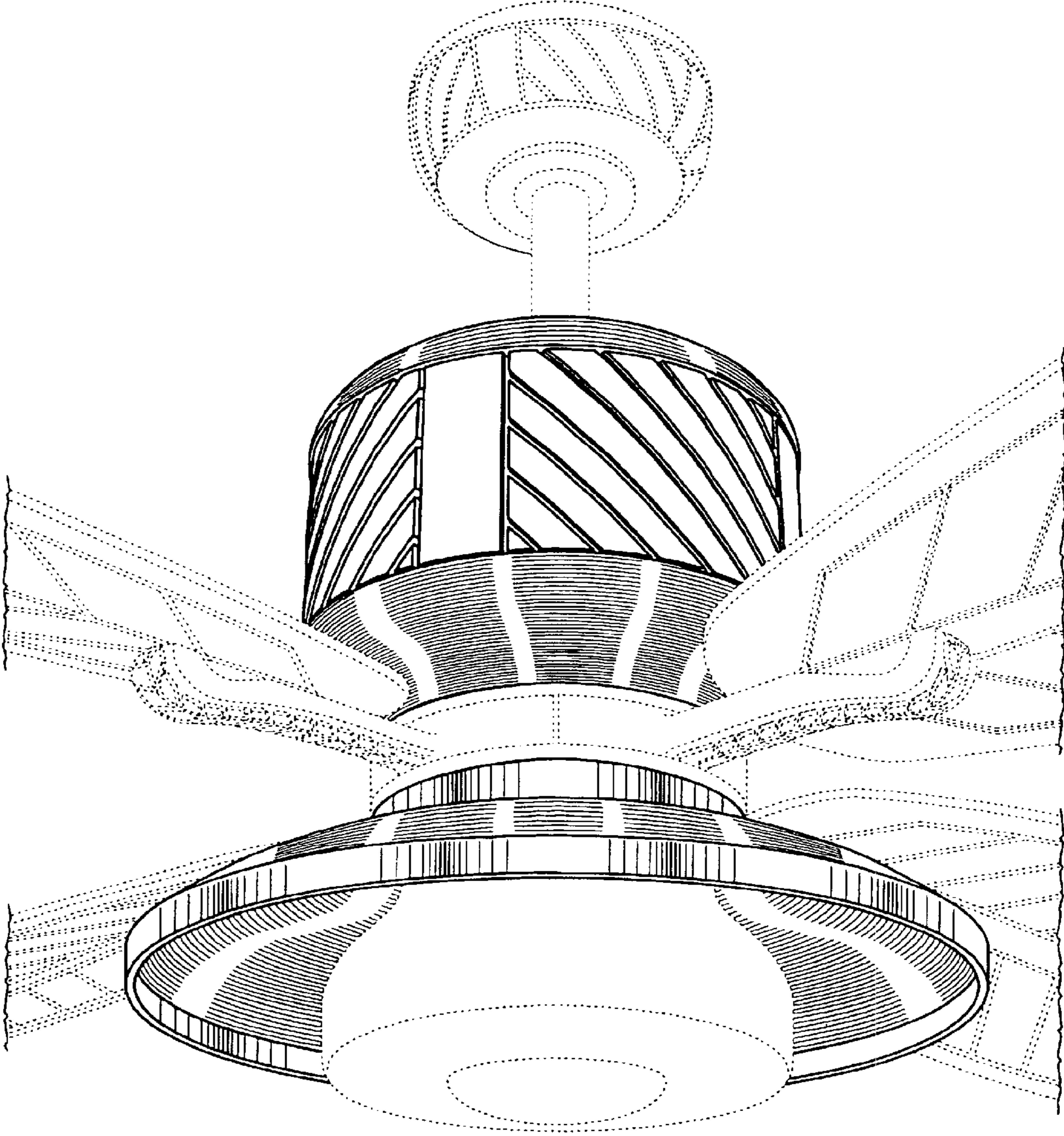


Fig.2

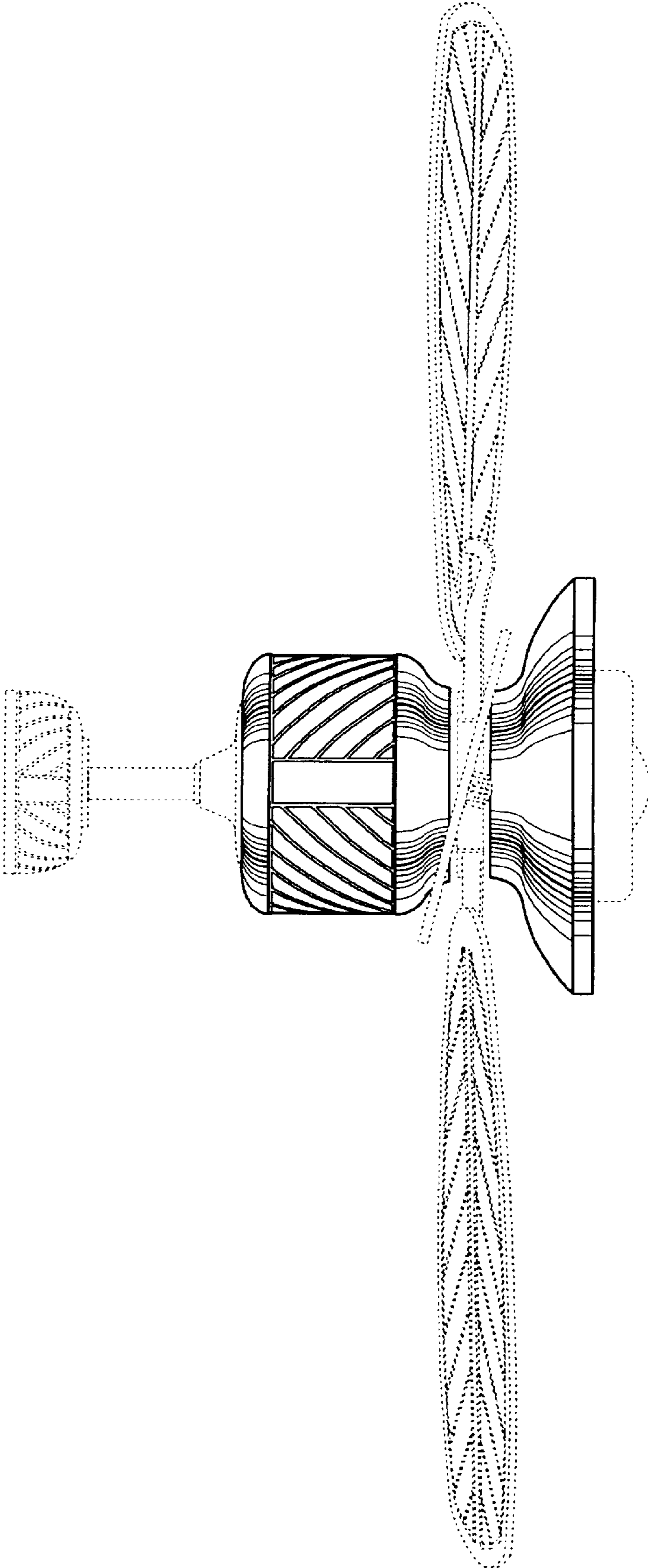


Fig. 3

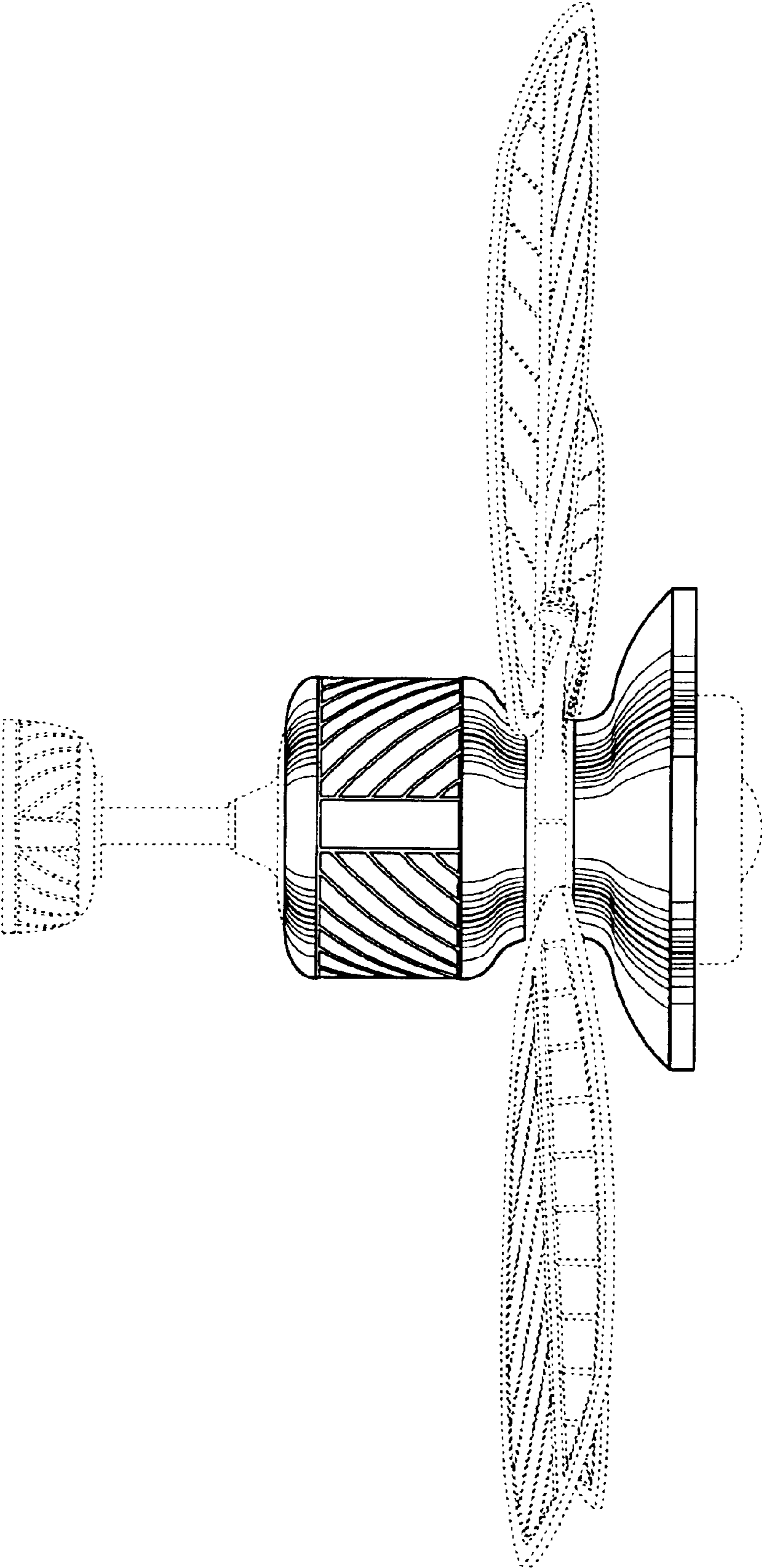


Fig. 4